

UART RX

UART TX

Header 4X2

UI_3V_MCU

R47a 0

R47b 0

R47c 0

R47d 0

R47e 0

R11a 4.7K

C1d 100nF

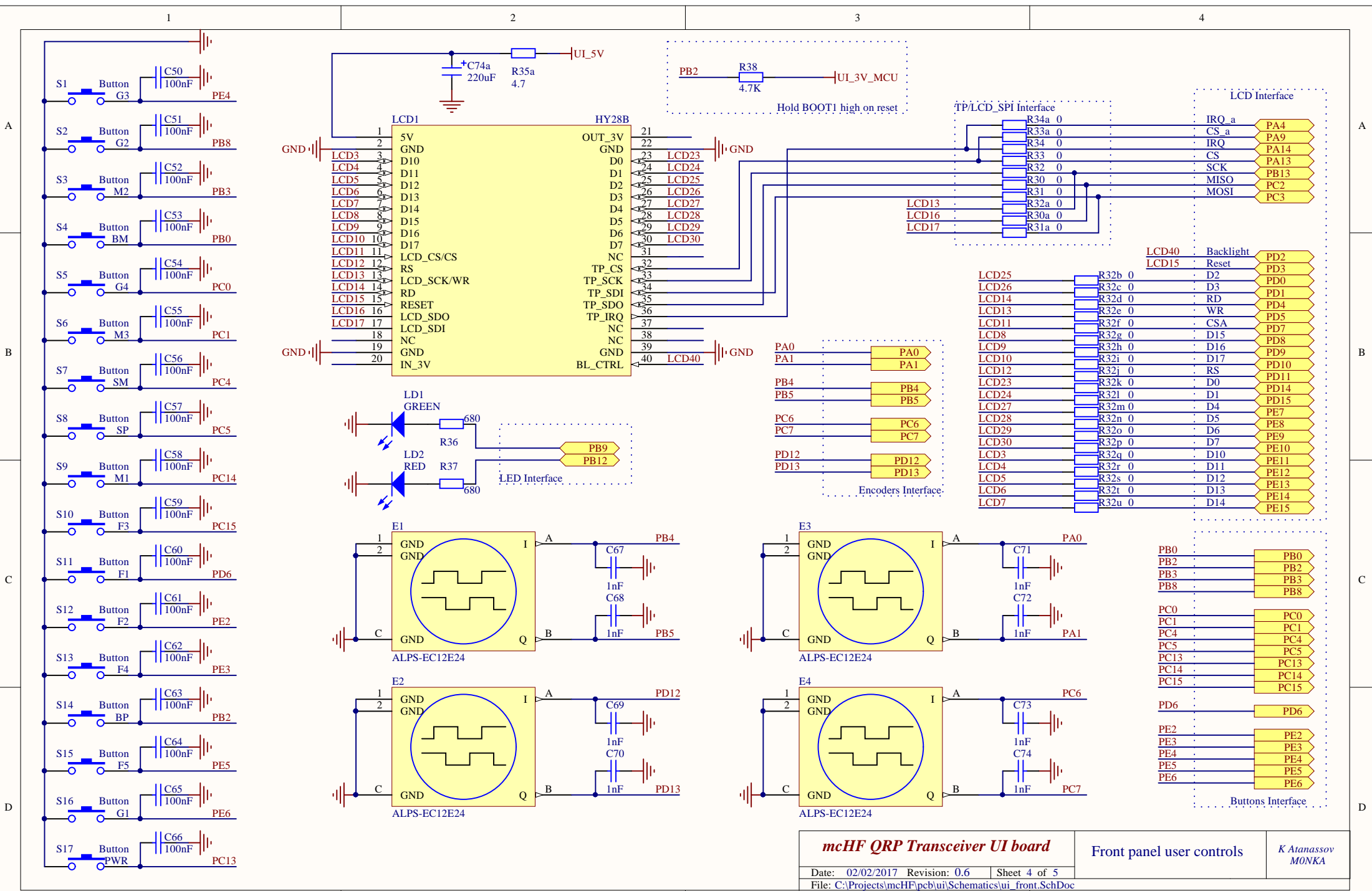
Hack to allow install of ESP8266

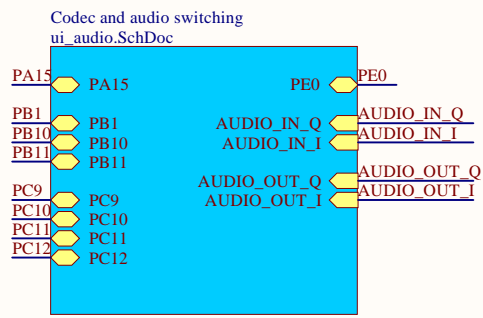
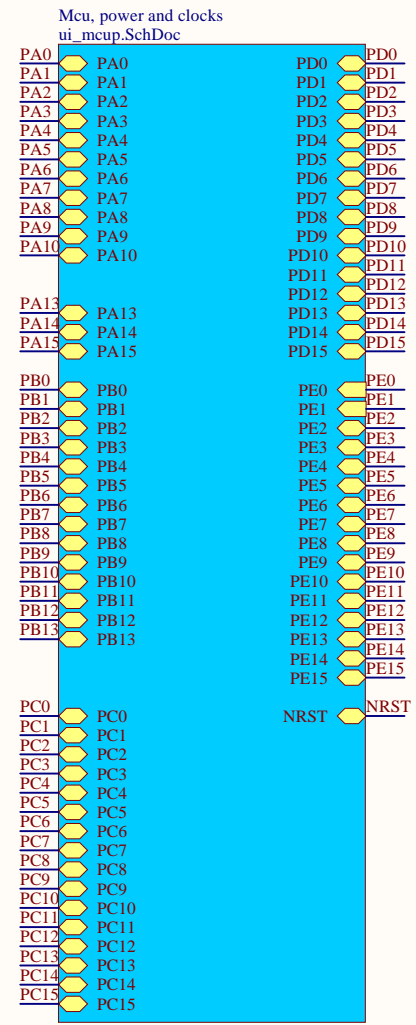
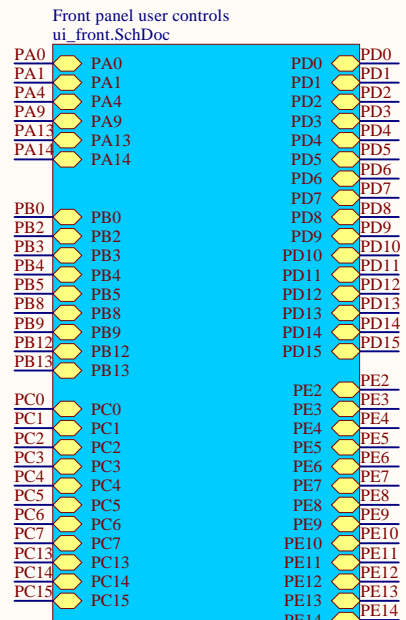
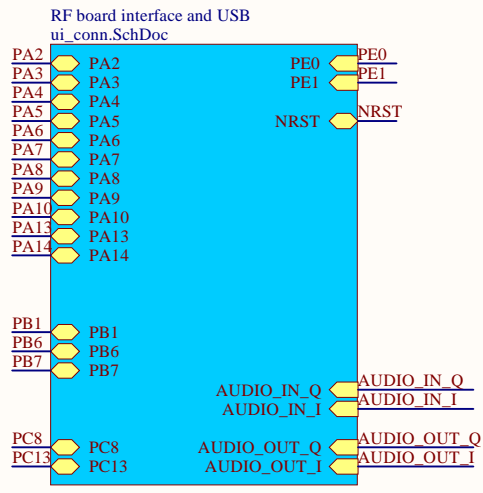
Normal operation: Install R47a(PA10 is BAND2, PA9 is debug print)

WiFi operation: Install R47b,R47c and R47d(PA10 is RX, PA9 is TX, PA4 is BAND2)

Standart release firmware assumes Normal Operation, special compile needed for WiFi mode!

mcHF QRP Transceiver UI board		RF board interface and USB	K Atanassov MONKA
Date: 02/02/2017	Revision: 0.6	Sheet 3 of 5	
File: C:\Projects\mcHF\pcb\ui\Schematics\ui_conn.SchDoc			





Jumper configurations

Part	Default	Optional
R43a	USB host power from RF board 5V supply(R43a on)	USB host power from separate regulator(R43a off)
R42, R43, R44	Main clock from TCXO(R44 on, R42 and R43 off)	Main clock from Xtal(R44 off, R42 and R43 on)
R30-R32, R34a, R33a	For 1.x.x firmware touch interface	
R30a, R31a, R32a	LCD in SPI mode (no need to remove R32b-R32u)	
R32b-R32u	LCD in Parallel mode (simply remove R32a to switch to SPI)	

