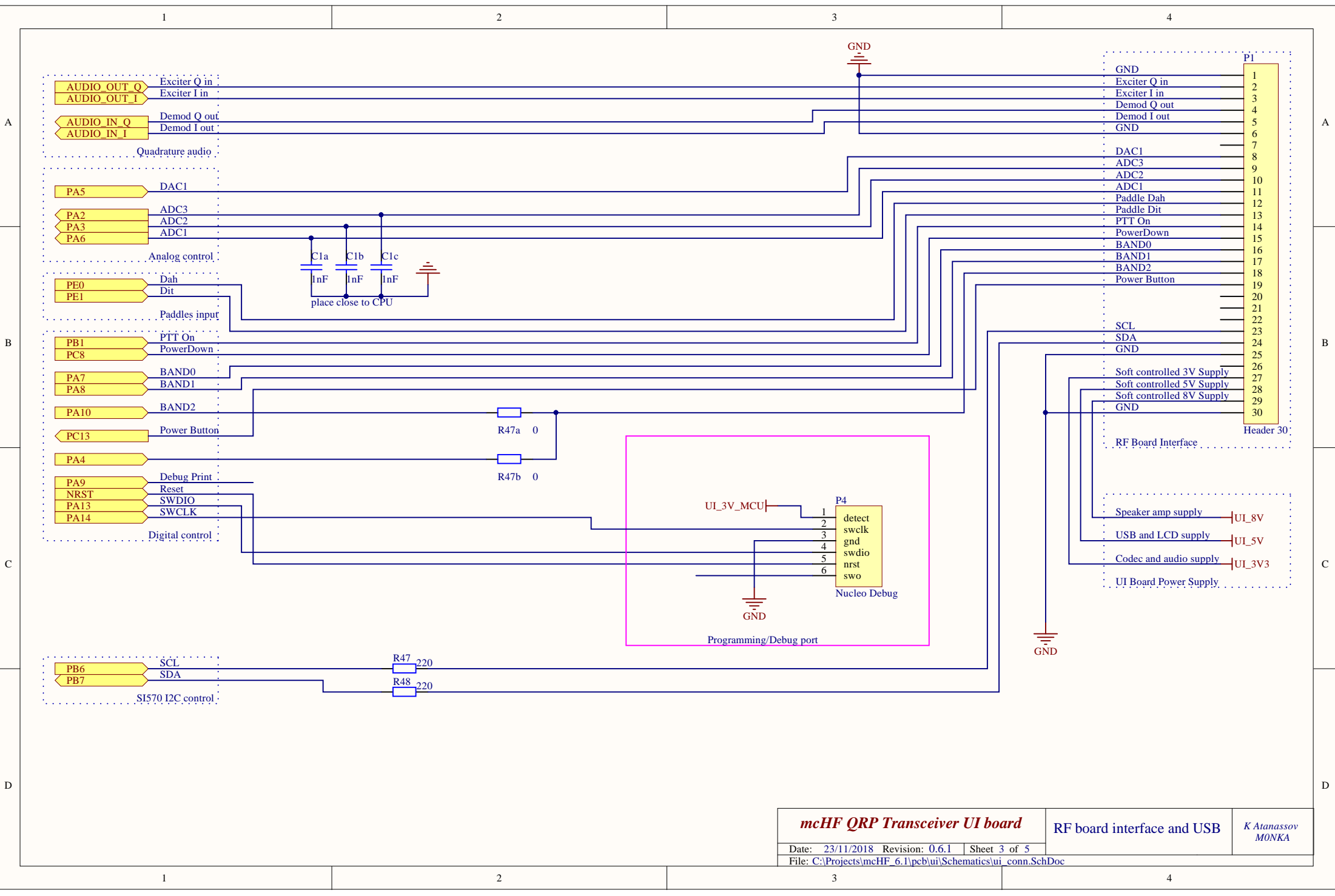


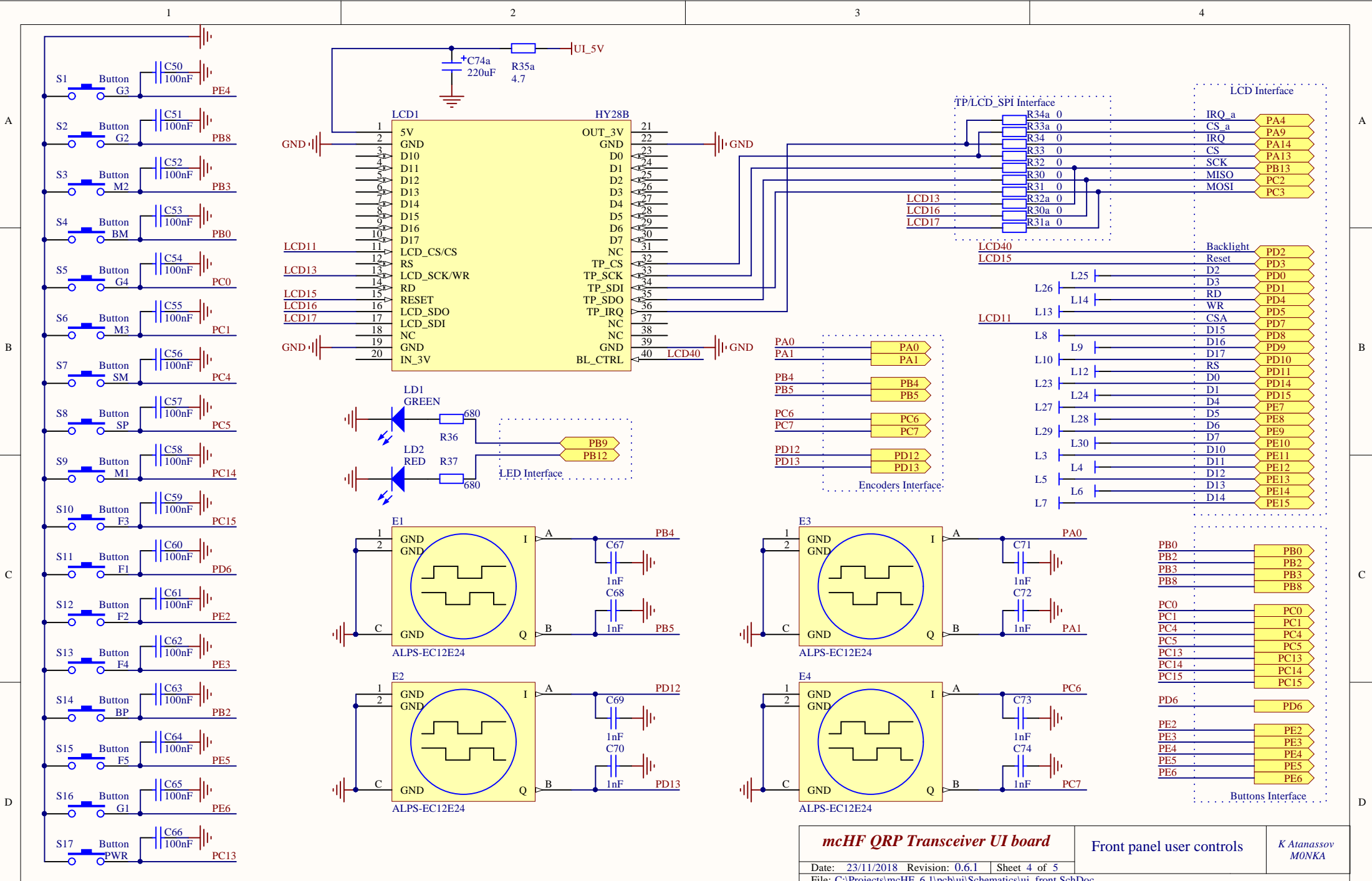
mcHF QRP Transceiver UI board
 Date: 23/11/2018 Revision: 0.6.1 Sheet 2 of 5
 File: C:\Projects\mcHF_6.1\pcb\ui\Schematics\ui_audio.SchDoc

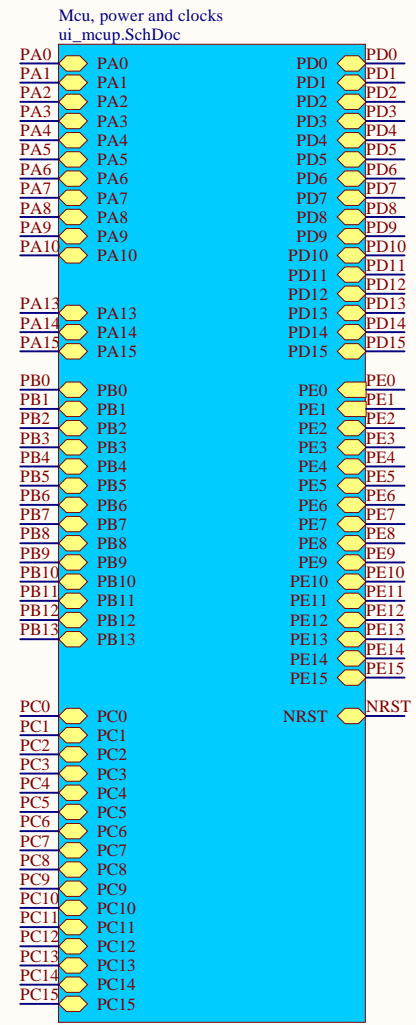
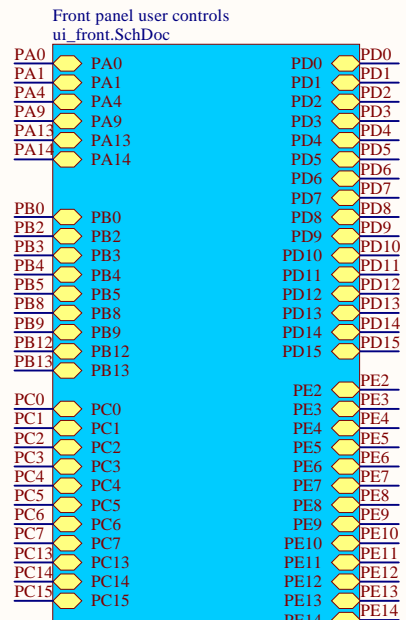
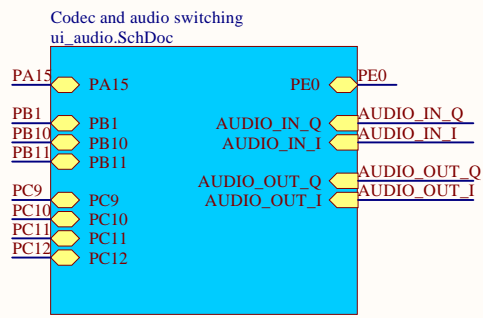
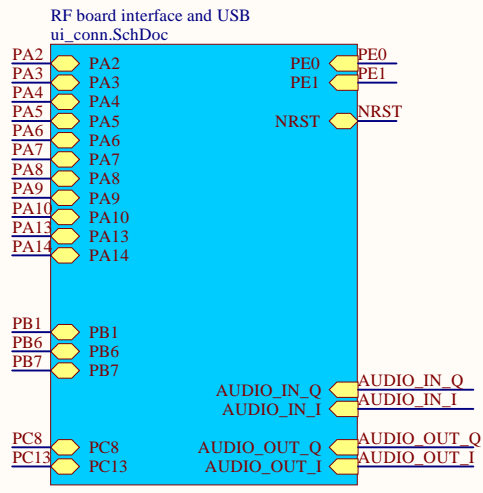
Codec and audio switching

K Atanassov
MONKA



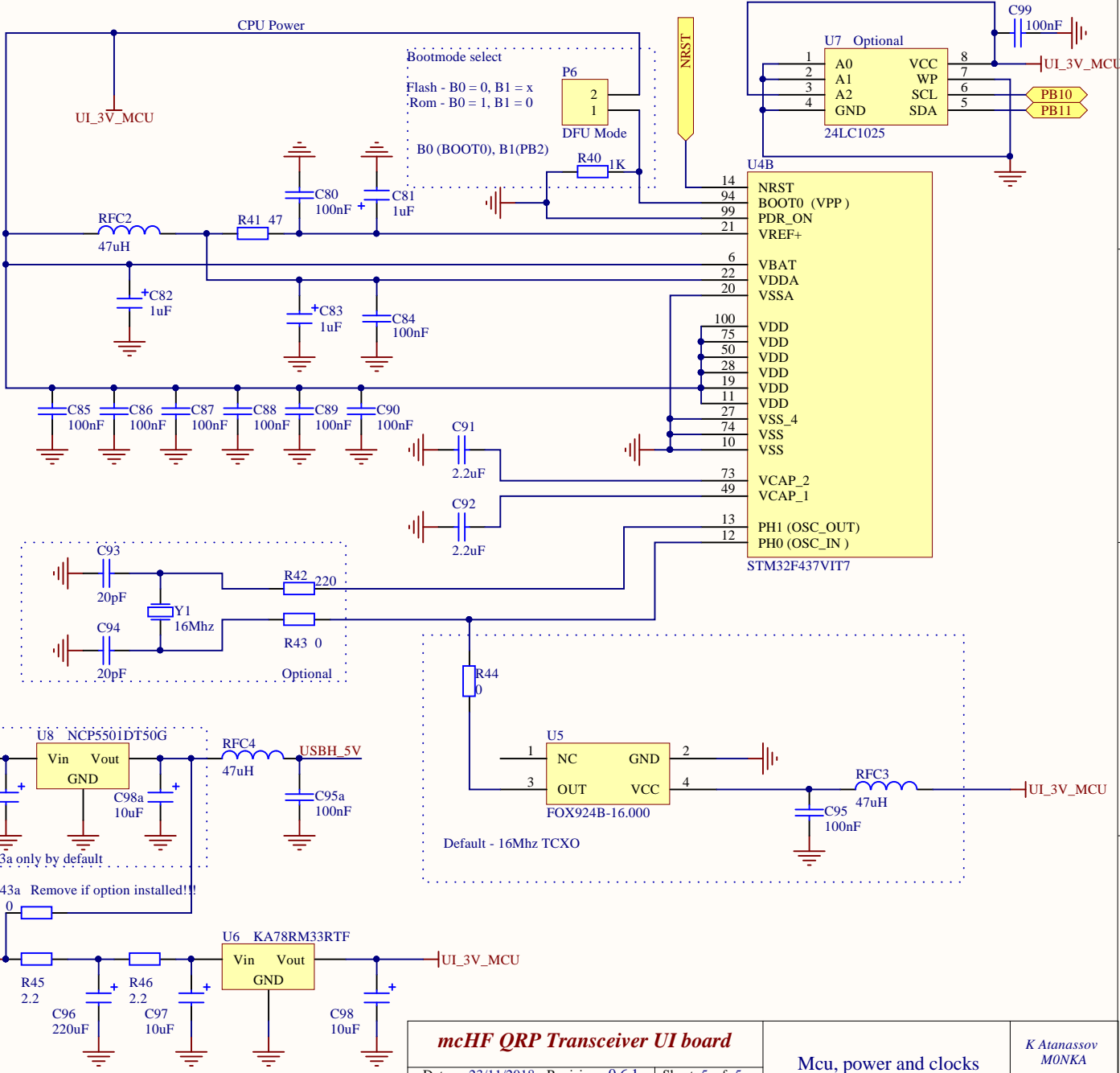
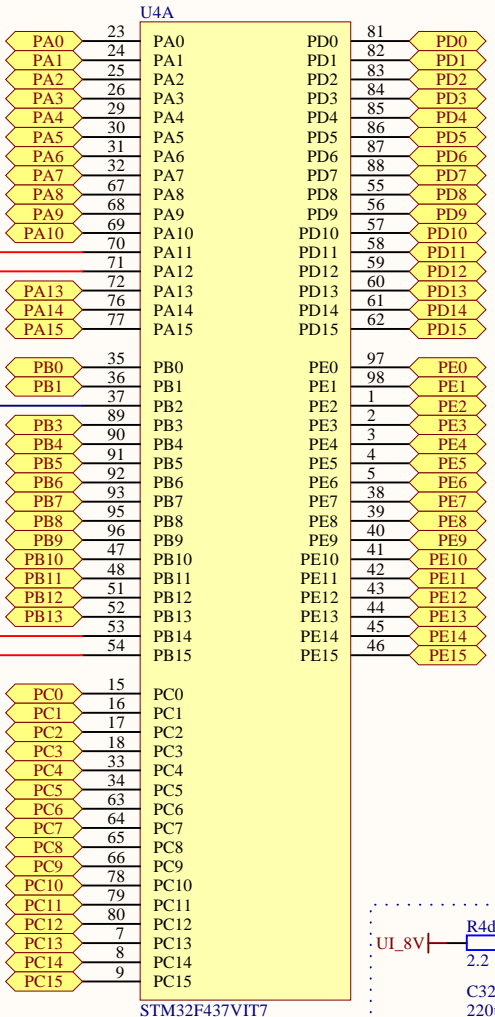
mcHF QRP Transceiver UI board		RF board interface and USB	K Atanassov MONKA
Date: 23/11/2018	Revision: 0.6.1	Sheet 3 of 5	
File: C:\Projects\mcHF_6.1\pcb\ui\Schematics\ui_conn.SchDoc			





Jumper configurations

Part	Default	Optional
R43a	USB host power from RF board 5V supply(R43a on)	USB host power from separate regulator(R43a off)
R42,R43,R44	Main clock from TCXO(R44 on,R42 and R43 off)	Main clock from Xtal(R44 off,R42 and R43 on)
R30-R32,R34a,R33a	For 1.x.x firmware touch interface	
R30a,R31a,R32a	LCD in SPI mode(no need to remove R32b-R32u)	
R32b-R32u	LCD in Paralel mode(simply removeR32a to switch to paralel)	



mcHF QRP Transceiver UI board		Mcu, power and clocks		<i>K Atanassov</i> <i>MONKA</i>
Date: 23/11/2018	Revision: 0.6.1	Sheet 5 of 5		
File: C:\Projects\mcHF_6.1\pcb\ui\Schematics\ui_mcup.SchDoc				