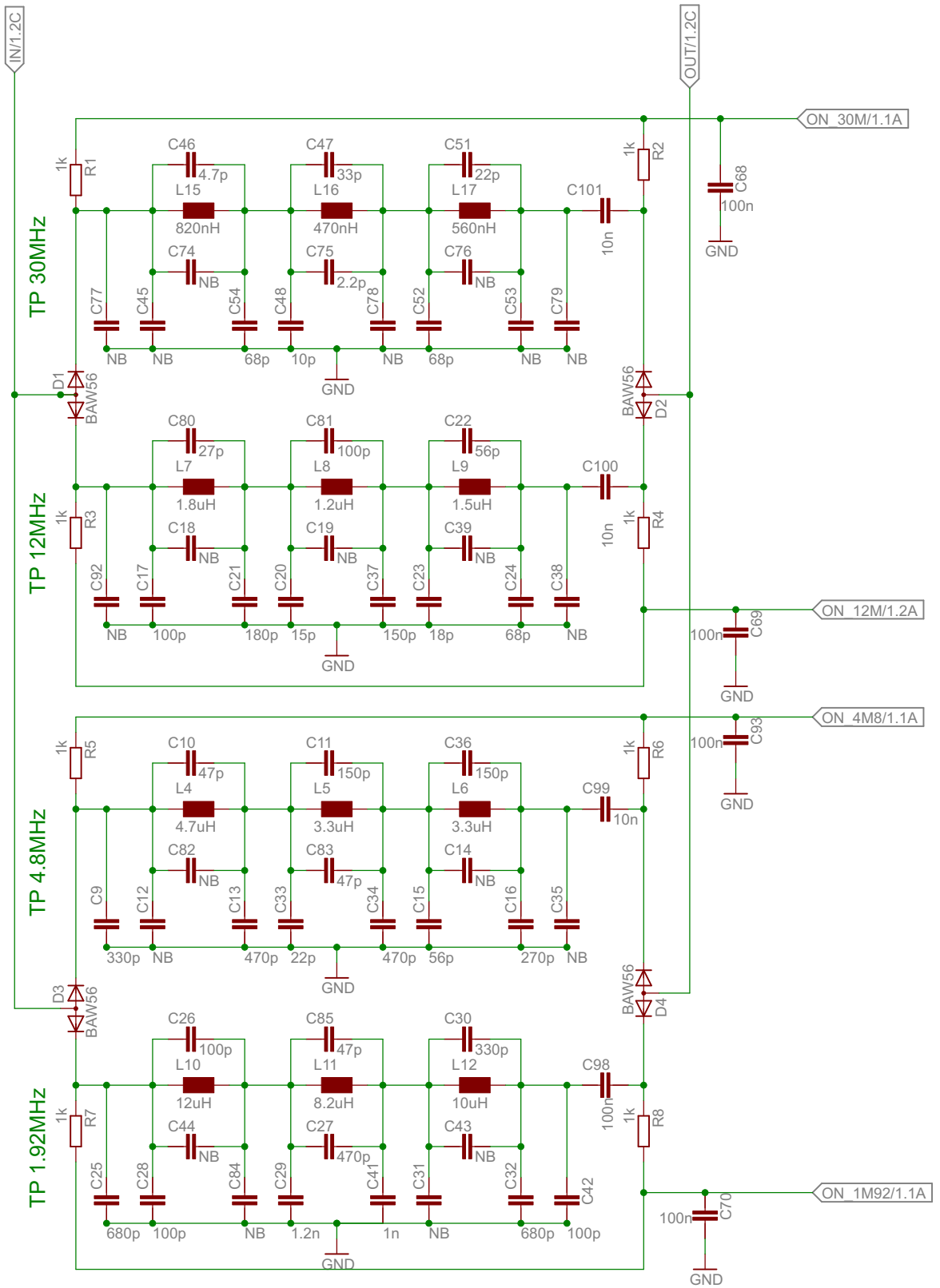


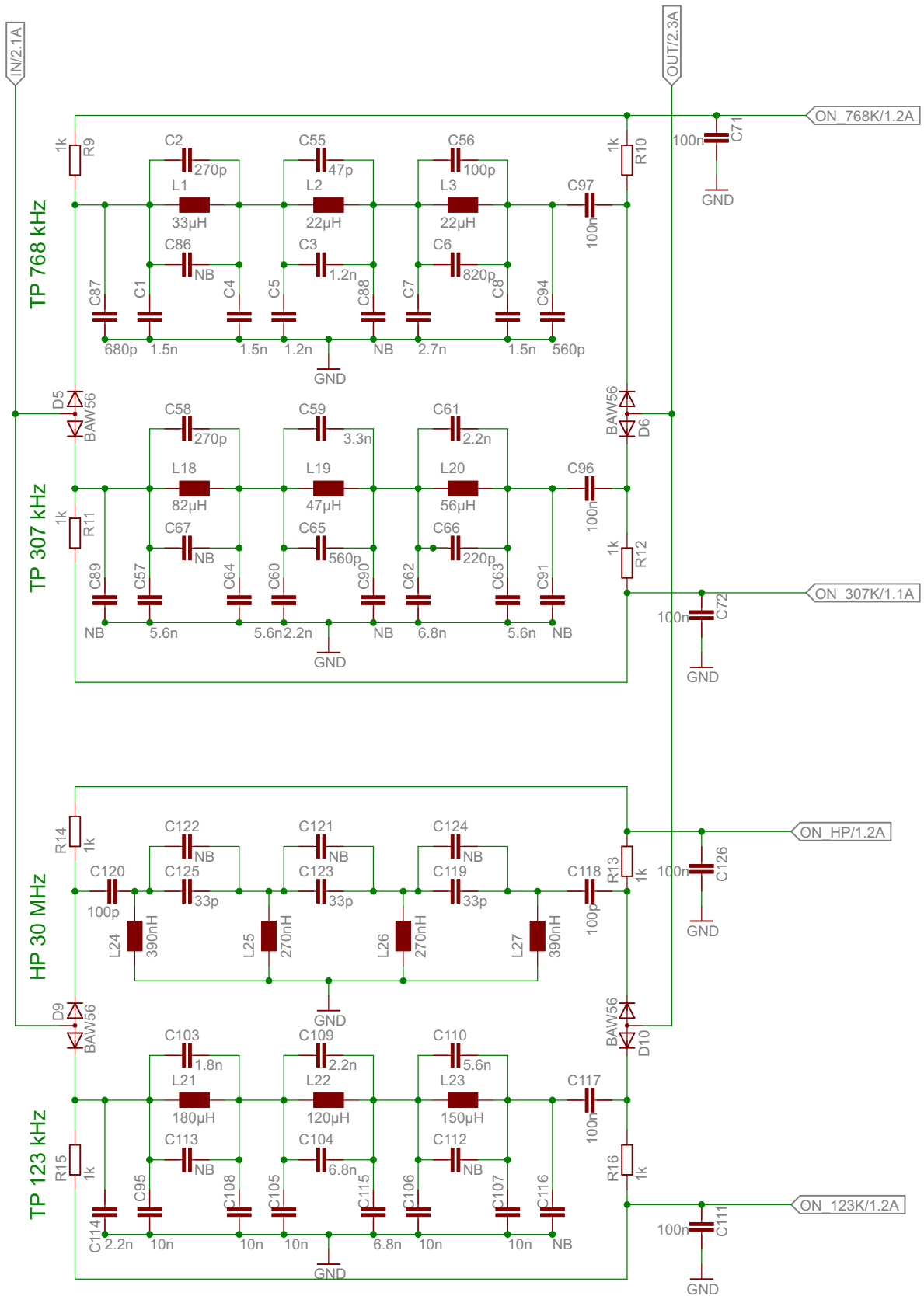
TP-Filter: 7-polig, Cauer, 150R fs=1.2fg; as=60dB
 HP-Filter: 7-polig Tschebyscheff, 150R

| Pin SV1 | Pin SDR X3 | Pin SDR X6 |
|---------|------------|------------|
| 1 | 1 | |
| 2 | 2 | |
| 3 | 3 | |
| 4 | 4 | |
| 5 | | 1 |
| 6 | | 2 |
| 7 | | 3 |
| 8 | | 4 |
| 9 | | 5 |
| 10 | | 6 |
| 11 | | 7 |
| 12 | | 8 |

| | |
|--|-------------|
| Filterbank für FiFi-SDR (Preselector) Ansteuerung | |
| TITLE: FiFi-SDR-Filter(3) | |
| Document Number: | REV: 1.2 |
| Date: 23.01.2012 19:09:21 | Sheet: 1/3 |



| | |
|---------------------------------------|------------|
| Filterbank für FiFi-SDR (Preselector) | |
| Tiefpassfilter Kurzwellen | |
| TITLE: FiFi-SDR-Filter(3) | |
| Document Number: | REV: |
| Date: 23.01.2012 19:09:21 | Sheet: 2/3 |



Filterbank für FiFi-SDR (Preselector)
Tiefpassfilter MW, LW, VLF / Hochpassfilter

TITLE: FiFi-SDR-Filter(3)

Document Number:

REV:

Date: 23.01.2012 19:09:21

Sheet: 3/3