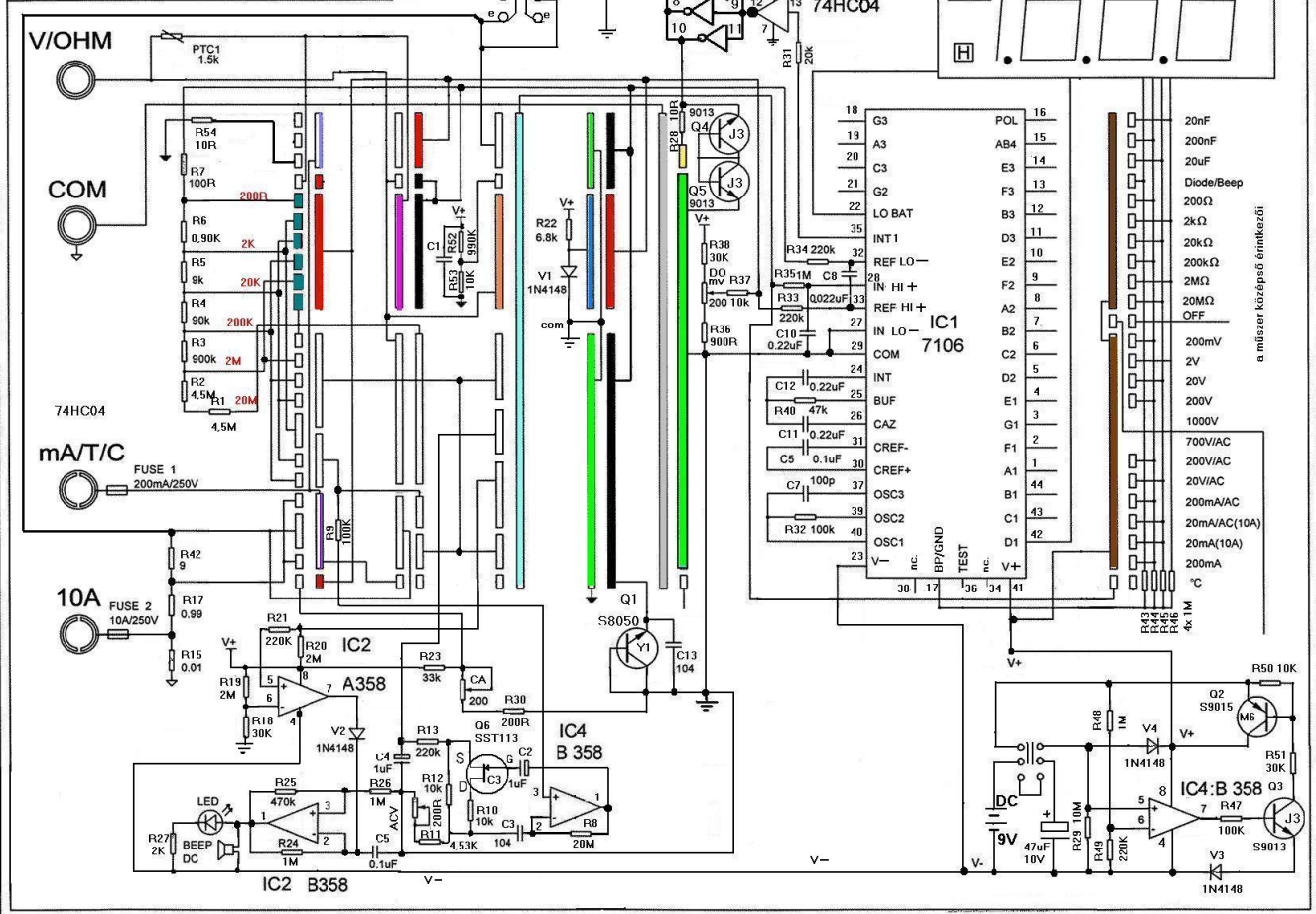
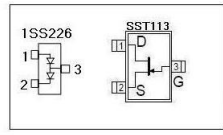


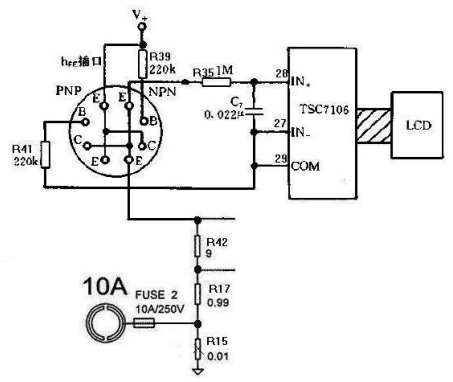
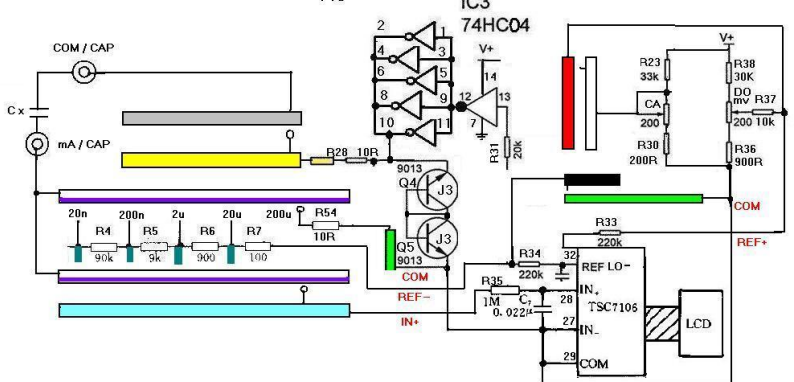
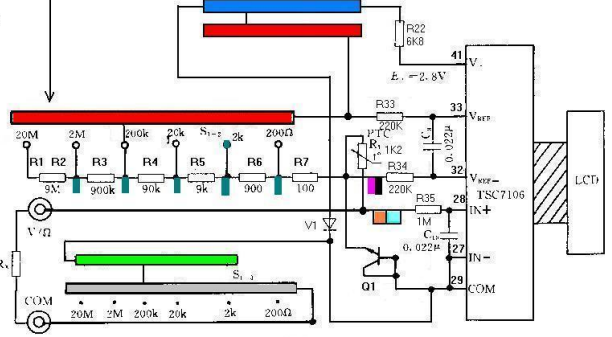
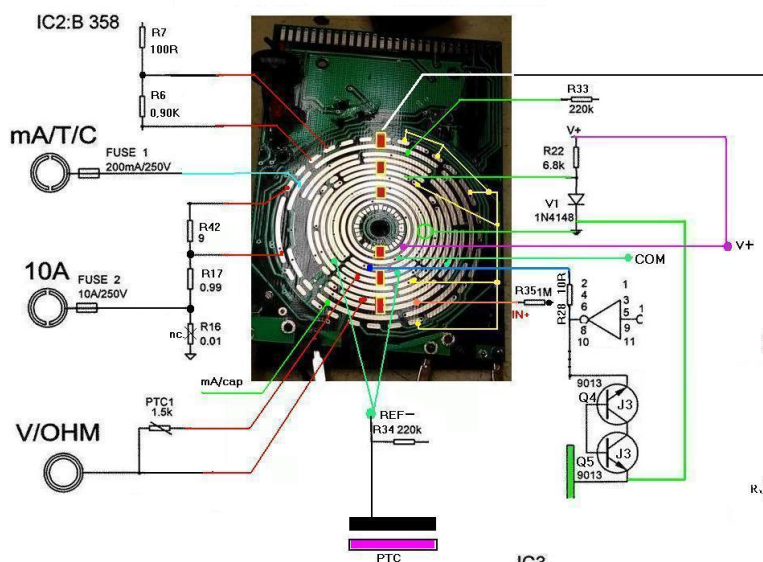
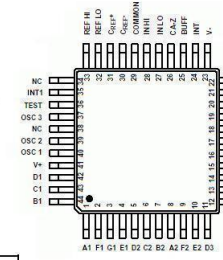
MODEL	VC890C+™ V0.0	
Revision	Drawn by	Date
	SLD 9205-10	2002.02.01.

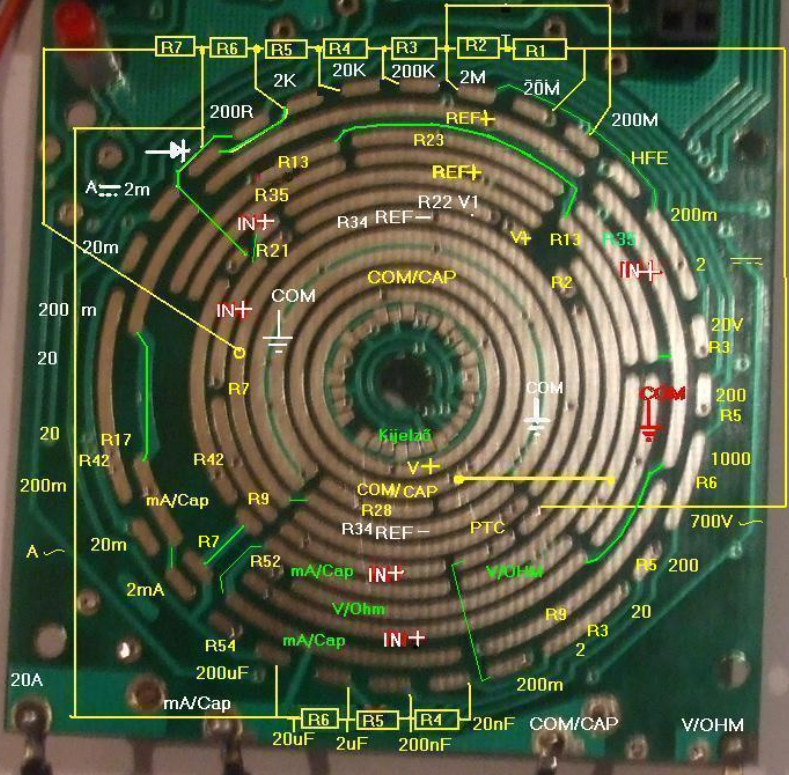
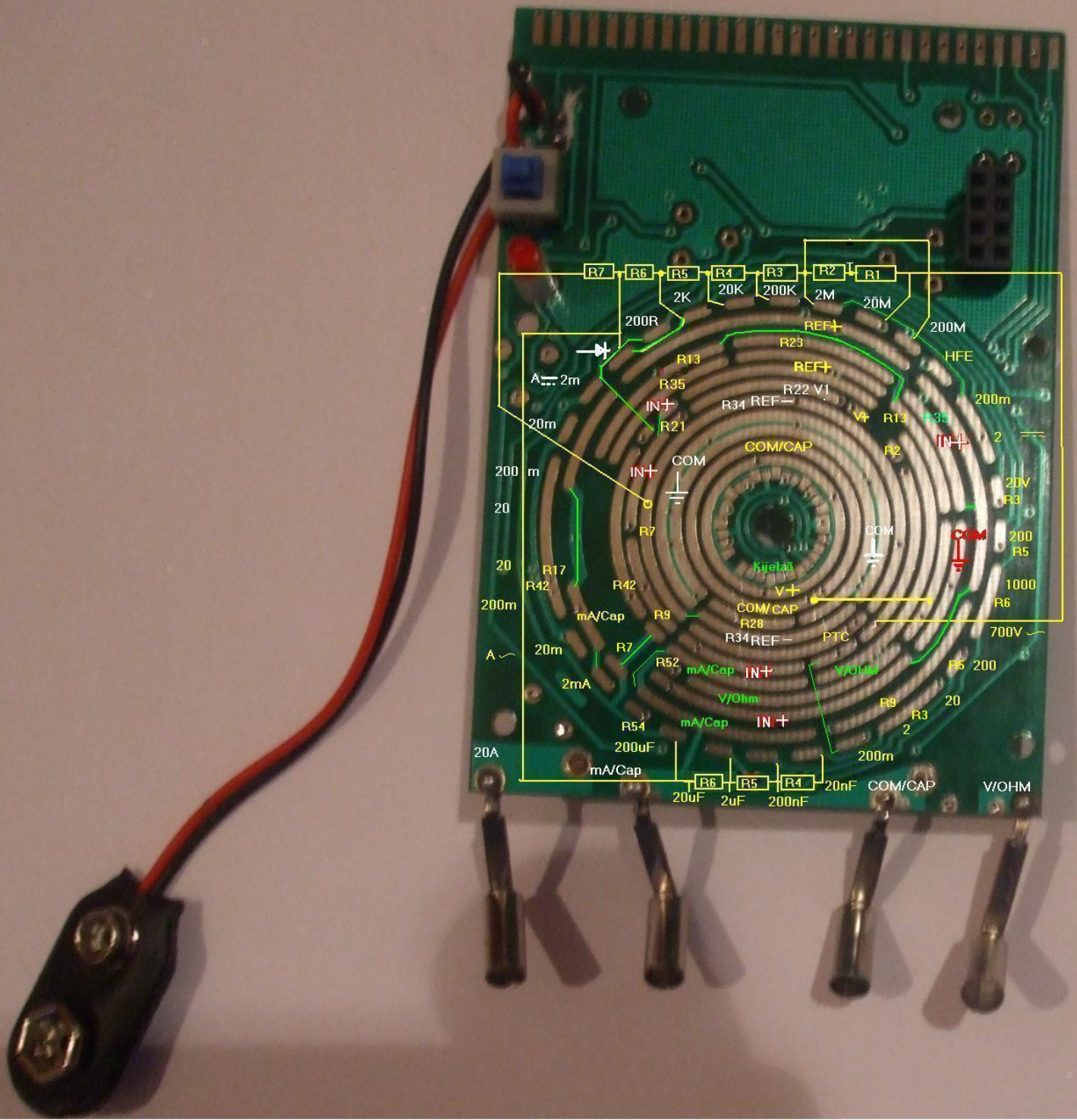


Q6 ?

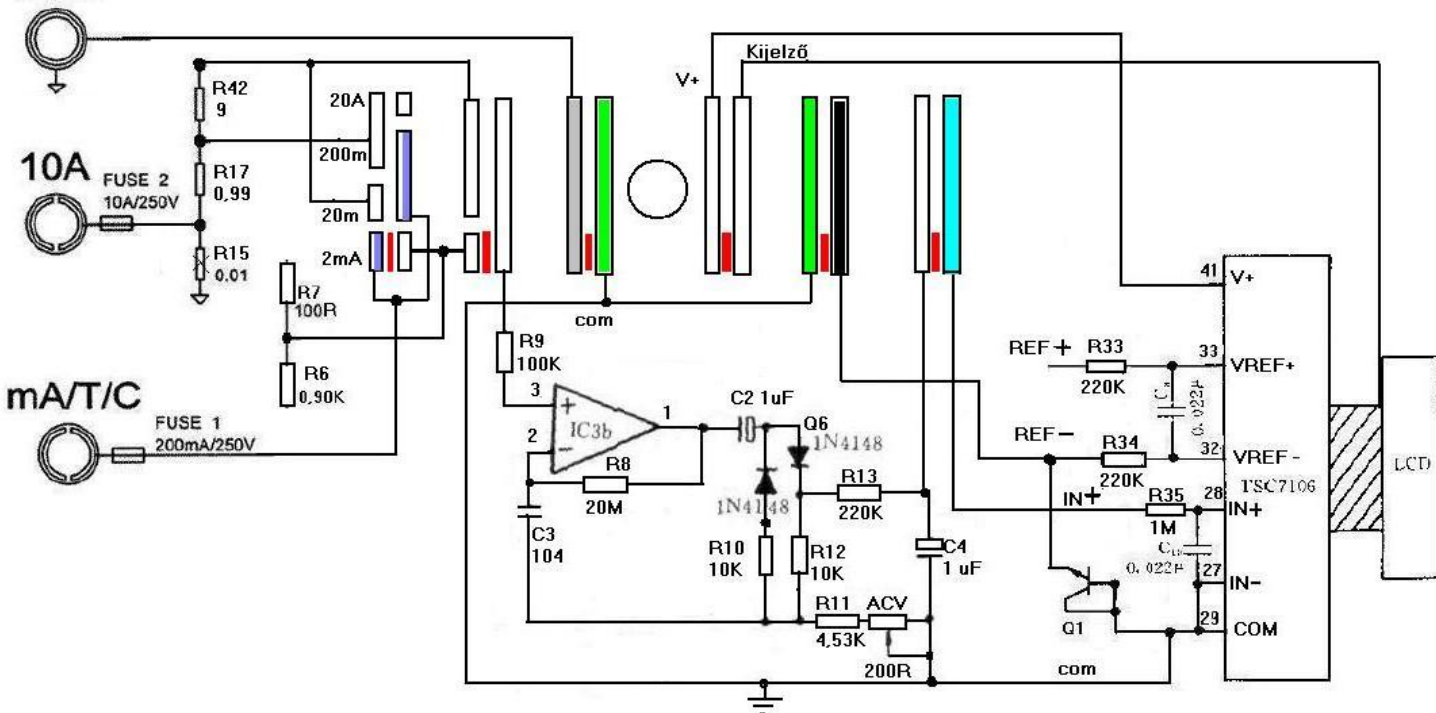


IC17106, ICL7107 (MOFP) TOP VIEW





COM/CAP



V+

Kijelő

com

com

41 V+

REF + R33

REF - R34

IN+

IN-

COM

LCD

