

Mini-ITX Series

VIA EPIA ML

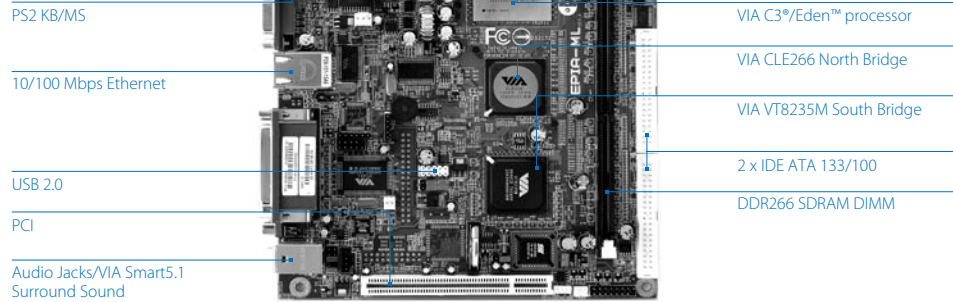
Mini-ITX C3®/Eden™
Board with MPEG-2 for
Entry-level Design

Features

- Integrated VIA UniChrome™ AGP graphics with MPEG-2 decoding acceleration
- Supports DDR266 SDRAM
- Supports TV Out (optional)
- Supports four USB 2.0 ports (two as pin headers)
- Supports 6 channel audio



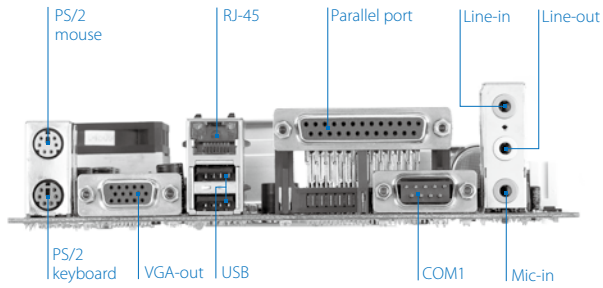
Board Placement



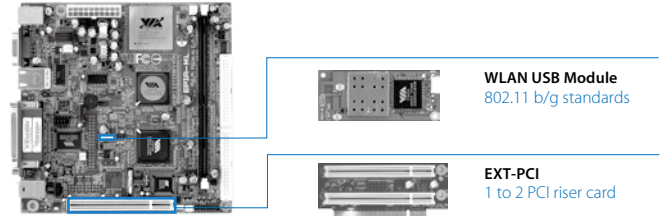
Specifications

Model Name	EPIA ML8000G	EPIA ML8000AG	EPIA ML6000EAG
Processor	800MHz VIA C3®	800MHz VIA C3®	667MHz VIA fanless Eden™
Chipset	VIA CLE266 North Bridge VIA VT8235M South Bridge		
System Memory	1 x DDR266 DIMM socket Up to 1GB memory size		
VGA	Integrated VIA UniChrome™ AGP graphics with MPEG-2 decoding acceleration		
Expansion Slot	1 x PCI slot		
Onboard IDE	2 x UltraDMA 133/100/66 connectors		
Onboard LAN	1 x VIA VT6103 10/100 Mbps Ethernet PHY		
Onboard Audio	VIA VT1616 6-channel AC' 97 codec		
Onboard TV Out	VIA VT1622AM TV out	N/A	N/A
Onboard I/O Connectors	1 x USB connector for 2 additional USB 2.0 ports 1 x Serial port connector for a second COM port 1 x Buzzer 1 x FIR connector 1 x CIR connector (switchable for KB/MS) 1 x Wake-on LAN connector 1 x SMBus connector 1 x CD audio-in connector 1 x Front panel audio connector for Line-out and Mic-in 3 x Fan connectors for CPU/Sys FAN/Fan 3 1 x ATX power connector		
Back Panel I/O	1 x PS2 mouse port 1 x PS2 keyboard port 1 x VGA port 1 x RJ-45 LAN port 2 x USB 2.0 ports 1 x Parallel port 1 x Serial port 3 x Audio jacks: Line-out, Line-in and Mic-in (horizontal, Smart 5.1 support)		
BIOS	Award BIOS 2Mbit flash memory		
Operating System	Windows XP, Linux, Win CE, XPe		
System Monitoring & Management	CPU voltage monitoring Wake-on LAN, Keyboard Power-on, Timer Power-on System power management AC power failure recovery		
Operating Temperature	0° C - 50° C		
Operating Humidity	0% ~ 93% (relative humidity; non-condensing)		
Form Factor	Mini-ITX (4-layer) 17 cm x 17 cm		

Back Panel I/O



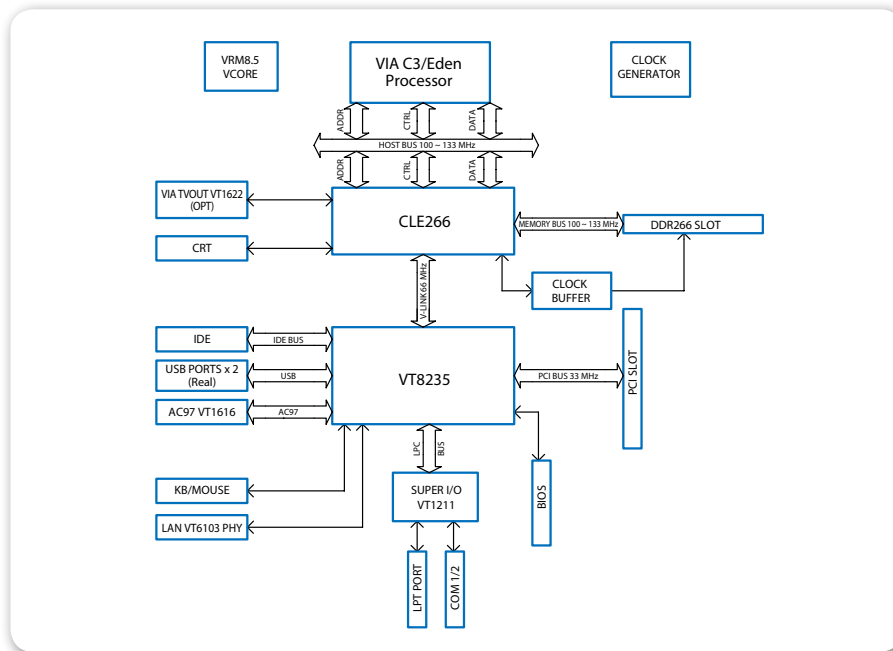
Accessories



Ordering Information

Model Name	CPU Frequency	Description
ML8000G	800MHz C3®	Mini-ITX Board with 800MHz C3®, VGA, TV-out, COM, LAN, LPT, USB, IDE
ML8000AG	800MHz C3®	Mini-ITX Board with 800MHz C3®, VGA, COM, LAN, LPT, USB, IDE
ML6000EAG	667MHz Eden™	Mini-ITX Fanless Board with 667MHz Eden™, VGA, COM, LAN, LPT, USB, IDE

Block Diagram



Packing List

Items
1 x ATA-66/100/133 IDE ribbon cable
1 x General installation guide
1 x Driver Utility CD
1 x I/O bracket