

LM124-N/LM224-N/LM324-N/LM2902-N Low Power Quad Operational Amplifiers

Check for Samples: [LM124-N](#), [LM224-N](#), [LM2902-N](#), [LM324-N](#)

FEATURES

- Internally Frequency Compensated for Unity Gain
- Large DC Voltage Gain 100 dB
- Wide Bandwidth (Unity Gain) 1 MHz (Temperature Compensated)
- Wide Power Supply Range:
 - Single Supply 3V to 32V
 - or Dual Supplies $\pm 1.5V$ to $\pm 16V$
- Very Low Supply Current Drain (700 μA)—Essentially Independent of Supply Voltage
- Low Input Biasing Current 45 nA (Temperature Compensated)
- Low Input Offset Voltage 2 mV
 - and Offset Current: 5 nA
- Input Common-Mode Voltage Range Includes Ground
- Differential Input Voltage Range Equal to the Power Supply Voltage
- Large Output Voltage Swing 0V to $V^+ - 1.5V$

UNIQUE CHARACTERISTICS

- In the Linear Mode the Input Common-Mode Voltage Range Includes Ground and the Output Voltage can also Swing to Ground, Even Though Operated from Only a Single Power Supply Voltage
- The Unity Gain Cross Frequency is Temperature Compensated
- The Input Bias Current is also Temperature Compensated

ADVANTAGES

- Eliminates Need for Dual Supplies
- Four Internally Compensated Op Amps in a Single Package
- Allows Directly Sensing Near GND and V_{OUT} also Goes to GND
- Compatible with All Forms of Logic
- Power Drain Suitable for Battery Operation

DESCRIPTION

The LM124-N series consists of four independent, high gain, internally frequency compensated operational amplifiers which were designed specifically to operate from a single power supply over a wide range of voltages. Operation from split power supplies is also possible and the low power supply current drain is independent of the magnitude of the power supply voltage.

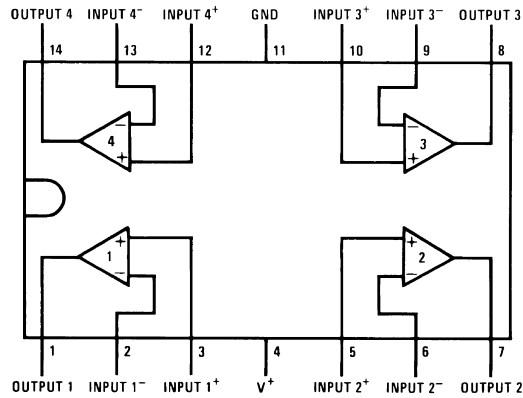
Application areas include transducer amplifiers, DC gain blocks and all the conventional op amp circuits which now can be more easily implemented in single power supply systems. For example, the LM124-N series can be directly operated off of the standard +5V power supply voltage which is used in digital systems and will easily provide the required interface electronics without requiring the additional $\pm 15V$ power supplies.



Please be aware that an important notice concerning availability, standard warranty, and use in critical applications of Texas Instruments semiconductor products and disclaimers thereto appears at the end of this data sheet.

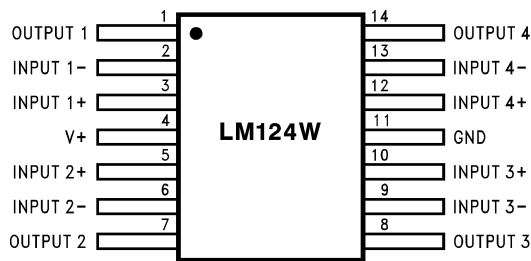
All trademarks are the property of their respective owners.

Connection Diagrams



- Note 1:** LM124A available per JM38510/11006
- Note 2:** LM124-N available per JM38510/11005
- Note 3:** See STD Mil DWG 5962R99504 for Radiation Tolerant Device

Figure 1. Dual-In-Line Package - Top View
See Package Number J0014A D0014A or NFF0014A

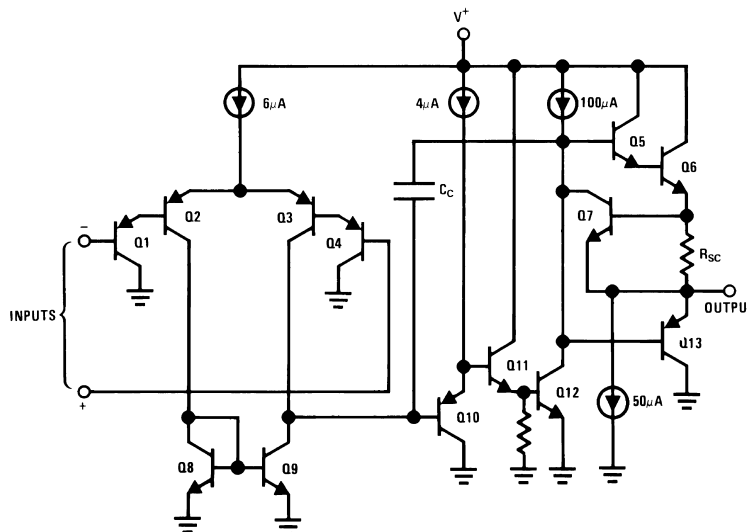


- Note 3:** See STD Mil DWG 5962R99504 for Radiation Tolerant Device

Figure 2. See Package Number NAD0014B
See Package Number NAC0014A

Schematic Diagram

(Each Amplifier)





These devices have limited built-in ESD protection. The leads should be shorted together or the device placed in conductive foam during storage or handling to prevent electrostatic damage to the MOS gates.

ABSOLUTE MAXIMUM RATINGS⁽¹⁾⁽²⁾

			LM124-N/LM224-N/LM324-N LM124A/LM224A/LM324A	LM2902-N
Supply Voltage, V ⁺			32V	26V
Differential Input Voltage			32V	26V
Input Voltage			-0.3V to +32V	-0.3V to +26V
Input Current (V _{IN} < -0.3V) ⁽³⁾			50 mA	50 mA
Power Dissipation ⁽⁴⁾	PDIP		1130 mW	1130 mW
	CDIP		1260 mW	1260 mW
	SOIC Package		800 mW	800 mW
Output Short-Circuit to GND (One Amplifier) ⁽⁵⁾				
V ⁺ ≤ 15V and T _A = 25°C			Continuous	Continuous
Operating Temperature Range				-40°C to +85°C
LM324-N/LM324A			0°C to +70°C	
LM224-N/LM224A			-25°C to +85°C	
LM124-N/LM124A			-55°C to +125°C	
Storage Temperature Range			-65°C to +150°C	-65°C to +150°C
Lead Temperature (Soldering, 10 seconds)			260°C	260°C
Soldering Information	Dual-In-Line Package	Soldering (10 seconds)	260°C	260°C
	Small Outline Package	Vapor Phase (60 seconds)	215°C	215°C
		Infrared (15 seconds)	220°C	220°C
ESD Tolerance ⁽⁶⁾			250V	250V

- (1) Refer to RETS124AX for LM124A military specifications and refer to RETS124X for LM124-N military specifications.
- (2) If Military/Aerospace specified devices are required, please contact the Texas Instruments Sales Office/
- (3) This input current will only exist when the voltage at any of the input leads is driven negative. It is due to the collector-base junction of the input PNP transistors becoming forward biased and thereby acting as input diode clamps. In addition to this diode action, there is also lateral NPN parasitic transistor action on the IC chip. This transistor action can cause the output voltages of the op amps to go to the V⁺ voltage level (or to ground for a large overdrive) for the time duration that an input is driven negative. This is not destructive and normal output states will re-establish when the input voltage, which was negative, again returns to a value greater than -0.3V (at 25°C).
- (4) For operating at high temperatures, the LM324-N/LM324A/LM2902-N must be derated based on a +125°C maximum junction temperature and a thermal resistance of 88°C/W which applies for the device soldered in a printed circuit board, operating in a still air ambient. The LM224-N/LM224A and LM124-N/LM124A can be derated based on a +150°C maximum junction temperature. The dissipation is the total of all four amplifiers—use external resistors, where possible, to allow the amplifier to saturate or to reduce the power which is dissipated in the integrated circuit.
- (5) Short circuits from the output to V⁺ can cause excessive heating and eventual destruction. When considering short circuits to ground, the maximum output current is approximately 40 mA independent of the magnitude of V⁺. At values of supply voltage in excess of +15V, continuous short-circuits can exceed the power dissipation ratings and cause eventual destruction. Destructive dissipation can result from simultaneous shorts on all amplifiers.
- (6) Human body model, 1.5 kΩ in series with 100 pF.

ELECTRICAL CHARACTERISTICS

V⁺ = +5.0V, ⁽¹⁾, unless otherwise stated

Parameter	Conditions	LM124A			LM224A			LM324A			Units
		Min	Typ	Max	Min	Typ	Max	Min	Typ	Max	
Input Offset Voltage	T _A = 25°C ⁽²⁾	1	2		1	3		2	3		mV
Input Bias Current ⁽³⁾	I _{IN(+)} or I _{IN(-)} , V _{CM} = 0V, T _A = 25°C	20	50		40	80		45	100		nA
Input Offset Current	I _{IN(+)} or I _{IN(-)} , V _{CM} = 0V, T _A = 25°C	2	10		2	15		5	30		nA
Input Common-Mode Voltage Range ⁽⁴⁾	V ⁺ = 30V, (LM2902-N, V ⁺ = 26V), T _A = 25°C	0	V ⁺ -1.5		0	V ⁺ -1.5		0	V ⁺ -1.5		V
Supply Current	Over Full Temperature Range R _L = ∞ On All Op Amps V ⁺ = 30V (LM2902-N V ⁺ = 26V) V ⁺ = 5V		1.5 0.7	3 1.2		1.5 0.7	3 1.2		1.5 0.7	3 1.2	mA
Large Signal Voltage Gain	V ⁺ = 15V, R _L ≥ 2kΩ, (V _O = 1V to 11V), T _A = 25°C	50	100		50	100		25	100		V/mV
Common-Mode Rejection Ratio	DC, V _{CM} = 0V to V ⁺ - 1.5V, T _A = 25°C	70	85		70	85		65	85		dB
Power Supply Rejection Ratio	V ⁺ = 5V to 30V (LM2902-N, V ⁺ = 5V to 26V), T _A = 25°C	65	100		65	100		65	100		dB
Amplifier-to-Amplifier Coupling ⁽⁵⁾	f = 1 kHz to 20 kHz, T _A = 25°C (Input Referred)		-120			-120			-120		dB
Output Current	Source V _{IN⁺} = 1V, V _{IN⁻} = 0V, V ⁺ = 15V, V _O = 2V, T _A = 25°C	20	40		20	40		20	40		mA
	Sink V _{IN⁻} = 1V, V _{IN⁺} = 0V, V ⁺ = 15V, V _O = 2V, T _A = 25°C	10	20		10	20		10	20		
	Sink V _{IN⁻} = 1V, V _{IN⁺} = 0V, V ⁺ = 15V, V _O = 200 mV, T _A = 25°C	12	50		12	50		12	50		μA
Short Circuit to Ground	V ⁺ = 15V, T _A = 25°C ⁽⁶⁾	40	60		40	60		40	60		mA
Input Offset Voltage	See ⁽²⁾		4			4			5		mV
V _{OS} Drift	R _S = 0Ω	7	20		7	20		7	30		μV/°C
Input Offset Current	I _{IN(+)} - I _{IN(-)} , V _{CM} = 0V		30			30			75		nA
I _{OS} Drift	R _S = 0Ω	10	200		10	200		10	300		pA/°C
Input Bias Current	I _{IN(+)} or I _{IN(-)}	40	100		40	100		40	200		nA
Input Common-Mode Voltage Range ⁽⁴⁾	V ⁺ = +30V (LM2902-N, V ⁺ = 26V)	0	V ⁺ -2		0	V ⁺ -2		0	V ⁺ -2		V

- (1) These specifications are limited to -55°C ≤ T_A ≤ +125°C for the LM124-N/LM124A. With the LM224-N/LM224A, all temperature specifications are limited to -25°C ≤ T_A ≤ +85°C, the LM324-N/LM324A temperature specifications are limited to 0°C ≤ T_A ≤ +70°C, and the LM2902-N specifications are limited to -40°C ≤ T_A ≤ +85°C.
- (2) V_O = 1.4V, R_S = 0Ω with V⁺ from 5V to 30V; and over the full input common-mode range (0V to V⁺ - 1.5V) for LM2902-N, V⁺ from 5V to 26V.
- (3) The direction of the input current is out of the IC due to the PNP input stage. This current is essentially constant, independent of the state of the output so no loading change exists on the input lines.
- (4) The input common-mode voltage of either input signal voltage should not be allowed to go negative by more than 0.3V (at 25°C). The upper end of the common-mode voltage range is V⁺ - 1.5V (at 25°C), but either or both inputs can go to +32V without damage (+26V for LM2902-N), independent of the magnitude of V⁺.
- (5) Due to proximity of external components, insure that coupling is not originating via stray capacitance between these external parts. This typically can be detected as this type of capacitance increases at higher frequencies.
- (6) Short circuits from the output to V⁺ can cause excessive heating and eventual destruction. When considering short circuits to ground, the maximum output current is approximately 40 mA independent of the magnitude of V⁺. At values of supply voltage in excess of +15V, continuous short-circuits can exceed the power dissipation ratings and cause eventual destruction. Destructive dissipation can result from simultaneous shorts on all amplifiers.

ELECTRICAL CHARACTERISTICS (continued)
 $V^+ = +5.0V$, ⁽¹⁾, unless otherwise stated

Parameter	Conditions	LM124A			LM224A			LM324A			Units
		Min	Typ	Max	Min	Typ	Max	Min	Typ	Max	
Large Signal Voltage Gain	$V^+ = +15V$ (V_O Swing = 1V to 11V) $R_L \geq 2\text{ k}\Omega$	25			25			15			V/mV
Output Voltage Swing	V_{OH}	$V^+ = 30V$ (LM2902-N, $V^+ = 26V$)	$R_L = 2\text{ k}\Omega$ $R_L = 10\text{ k}\Omega$		26 27 28		26 27 28		26 27 28		V
	V_{OL}	$V^+ = 5V$, $R_L = 10\text{ k}\Omega$		5 20		5 20		5 20		mV	
Output Current	Source	$V_O = 2V$	$V_{IN}^+ = +1V$, $V_{IN}^- = 0V$, $V^+ = 15V$		10 20		10 20		10 20		mA
	Sink		$V_{IN}^- = +1V$, $V_{IN}^+ = 0V$, $V^+ = 15V$		10 15		5 8		5 8		

ELECTRICAL CHARACTERISTICS
 $V^+ = +5.0V$, ⁽¹⁾, unless otherwise stated

Parameter	Conditions	LM124-N/LM224-N			LM324-N			LM2902-N			Units
		Min	Typ	Max	Min	Typ	Max	Min	Typ	Max	
Input Offset Voltage	$T_A = 25^\circ\text{C}$ ⁽²⁾	2 5			2 7			2 7			mV
Input Bias Current ⁽³⁾	$I_{IN(+)}$ or $I_{IN(-)}$, $V_{CM} = 0V$, $T_A = 25^\circ\text{C}$	45 150			45 250			45 250			nA
Input Offset Current	$I_{IN(+)}$ or $I_{IN(-)}$, $V_{CM} = 0V$, $T_A = 25^\circ\text{C}$	3 30			5 50			5 50			nA
Input Common-Mode Voltage Range ⁽⁴⁾	$V^+ = 30V$, (LM2902-N, $V^+ = 26V$), $T_A = 25^\circ\text{C}$	0 $V^+ - 1.5$			0 $V^+ - 1.5$			0 $V^+ - 1.5$			V
Supply Current	Over Full Temperature Range $R_L = \infty$ On All Op Amps $V^+ = 30V$ (LM2902-N $V^+ = 26V$) $V^+ = 5V$	1.5 3 0.7 1.2			1.5 3 0.7 1.2			1.5 3 0.7 1.2			mA
Large Signal Voltage Gain	$V^+ = 15V$, $R_L \geq 2\text{ k}\Omega$, ($V_O = 1V$ to 11V), $T_A = 25^\circ\text{C}$	50 100			25 100			25 100			
Common-Mode Rejection Ratio	DC, $V_{CM} = 0V$ to $V^+ - 1.5V$, $T_A = 25^\circ\text{C}$	70 85			65 85			50 70			dB
Power Supply Rejection Ratio	$V^+ = 5V$ to 30V (LM2902-N, $V^+ = 5V$ to 26V), $T_A = 25^\circ\text{C}$	65 100			65 100			50 100			dB
Amplifier-to-Amplifier Coupling ⁽⁵⁾	$f = 1\text{ kHz}$ to 20 kHz, $T_A = 25^\circ\text{C}$ (Input Referred)	-120			-120			-120			dB

- (1) These specifications are limited to $-55^\circ\text{C} \leq T_A \leq +125^\circ\text{C}$ for the LM124-N/LM124A. With the LM224-N/LM224A, all temperature specifications are limited to $-25^\circ\text{C} \leq T_A \leq +85^\circ\text{C}$, the LM324-N/LM324A temperature specifications are limited to $0^\circ\text{C} \leq T_A \leq +70^\circ\text{C}$, and the LM2902-N specifications are limited to $-40^\circ\text{C} \leq T_A \leq +85^\circ\text{C}$.
- (2) $V_O = 1.4V$, $R_S = 0\Omega$ with V^+ from 5V to 30V; and over the full input common-mode range (0V to $V^+ - 1.5V$) for LM2902-N, V^+ from 5V to 26V.
- (3) The direction of the input current is out of the IC due to the PNP input stage. This current is essentially constant, independent of the state of the output so no loading change exists on the input lines.
- (4) The input common-mode voltage of either input signal voltage should not be allowed to go negative by more than 0.3V (at 25°C). The upper end of the common-mode voltage range is $V^+ - 1.5V$ (at 25°C), but either or both inputs can go to +32V without damage (+26V for LM2902-N), independent of the magnitude of V^+ .
- (5) Due to proximity of external components, insure that coupling is not originating via stray capacitance between these external parts. This typically can be detected as this type of capacitance increases at higher frequencies.

ELECTRICAL CHARACTERISTICS (continued)

V⁺ = +5.0V, ⁽¹⁾, unless otherwise stated

Parameter		Conditions	LM124-N/LM224-N			LM324-N			LM2902-N			Units
			Min	Typ	Max	Min	Typ	Max	Min	Typ	Max	
Output Current	Source	V _{IN} ⁺ = 1V, V _{IN} ⁻ = 0V, V ⁺ = 15V, V _O = 2V, T _A = 25°C	20	40		20	40		20	40		mA
	Sink	V _{IN} ⁻ = 1V, V _{IN} ⁺ = 0V, V ⁺ = 15V, V _O = 2V, T _A = 25°C	10	20		10	20		10	20		
			V _{IN} ⁻ = 1V, V _{IN} ⁺ = 0V, V ⁺ = 15V, V _O = 200 mV, T _A = 25°C	12	50		12	50		12	50	
Short Circuit to Ground		V ⁺ = 15V, T _A = 25°C ⁽⁶⁾		40	60		40	60		40	60	mA
Input Offset Voltage		See ⁽²⁾			7			9			10	mV
V _{OS} Drift		R _S = 0Ω			7			7			7	µV/°C
Input Offset Current		I _{IN(+)} - I _{IN(-)} , V _{CM} = 0V			100			150			45 200	nA
I _{OS} Drift		R _S = 0Ω			10			10			10	pA/°C
Input Bias Current		I _{IN(+)} or I _{IN(-)}			40 300			40 500			40 500	nA
Input Common-Mode Voltage Range ⁽⁴⁾		V ⁺ = +30V (LM2902-N, V ⁺ = 26V)	0		V ⁺ -2	0		V ⁺ -2	0		V ⁺ -2	V
Large Signal		V ⁺ = +15V (V _O Swing = 1V to 11V)										
Voltage Gain		R _L ≥ 2 kΩ	25			15			15			V/mV
Output Voltage Swing	V _{OH}	V ⁺ = 30V (LM2902-N, V ⁺ = 26V)	26			26			22			V
	V _{OL}	V ⁺ = 5V, R _L = 10 kΩ	27	28		27	28		23	24		
Output Current	Source	V _O = 2V	10	20		10	20		10	20		mA
	Sink	V _{IN} ⁺ = +1V, V _{IN} ⁻ = 0V, V ⁺ = 15V	5	8		5	8		5	8		
		V _{IN} ⁻ = +1V, V _{IN} ⁺ = 0V, V ⁺ = 15V										

(6) Short circuits from the output to V⁺ can cause excessive heating and eventual destruction. When considering short circuits to ground, the maximum output current is approximately 40 mA independent of the magnitude of V⁺. At values of supply voltage in excess of +15V, continuous short-circuits can exceed the power dissipation ratings and cause eventual destruction. Destructive dissipation can result from simultaneous shorts on all amplifiers.

TYPICAL PERFORMANCE CHARACTERISTICS

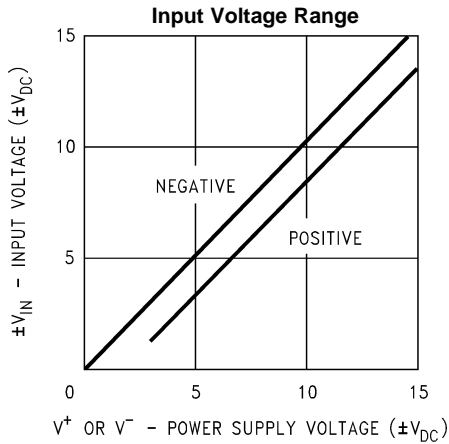


Figure 3.

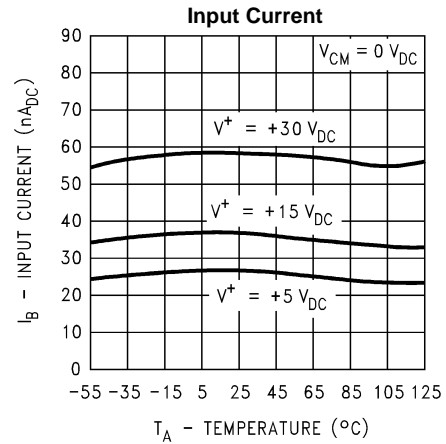


Figure 4.

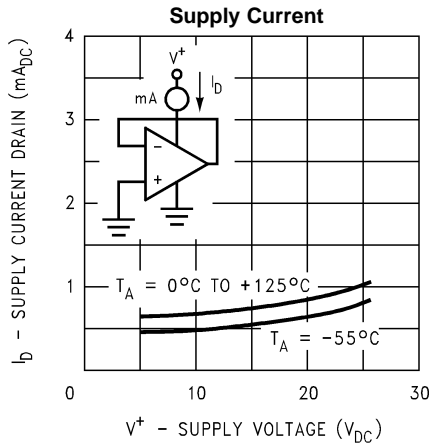


Figure 5.

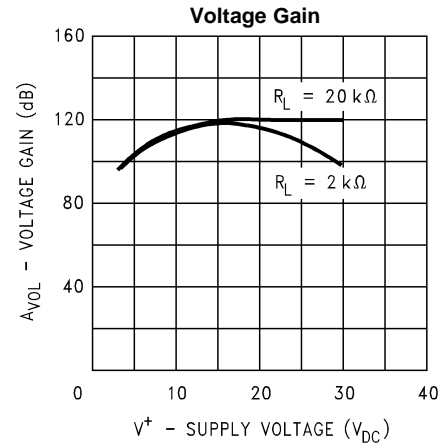


Figure 6.

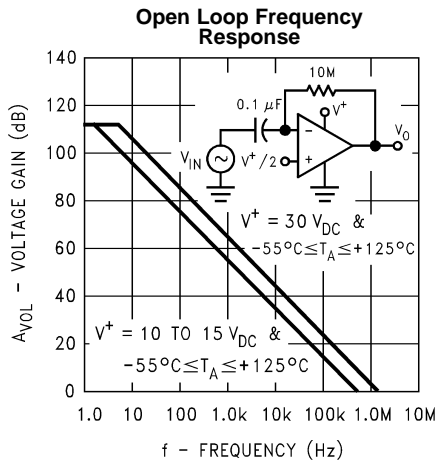


Figure 7.

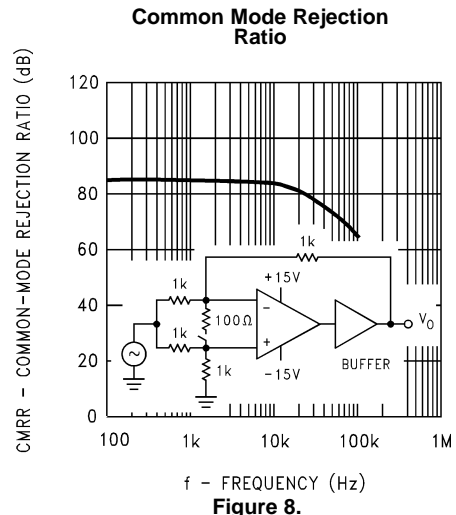


Figure 8.

TYPICAL PERFORMANCE CHARACTERISTICS (continued)

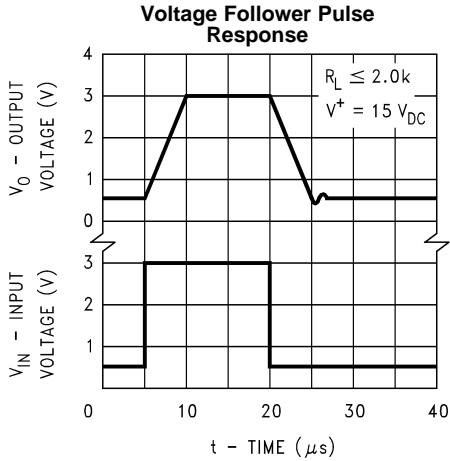


Figure 9.

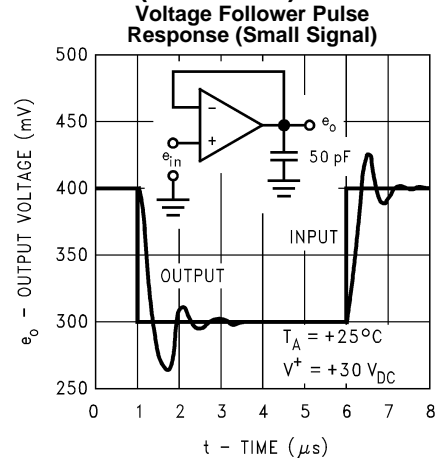


Figure 10.

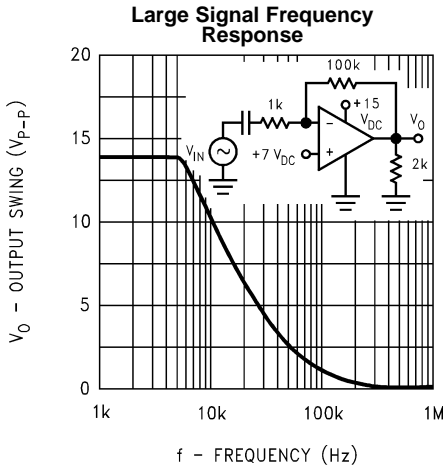


Figure 11.

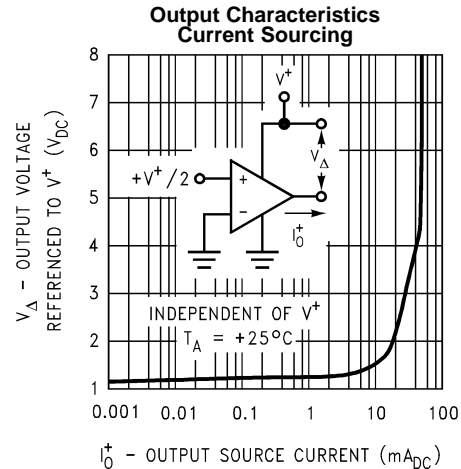


Figure 12.

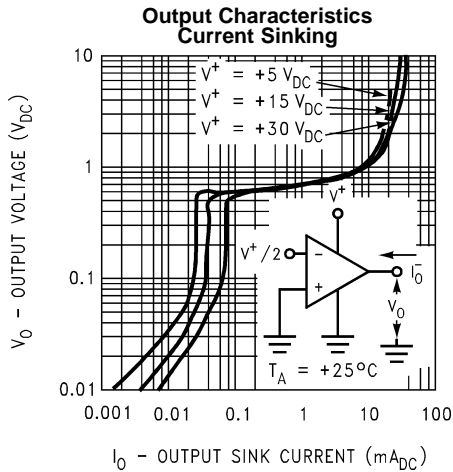


Figure 13.

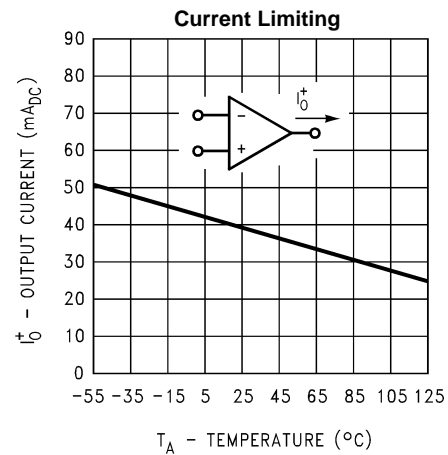
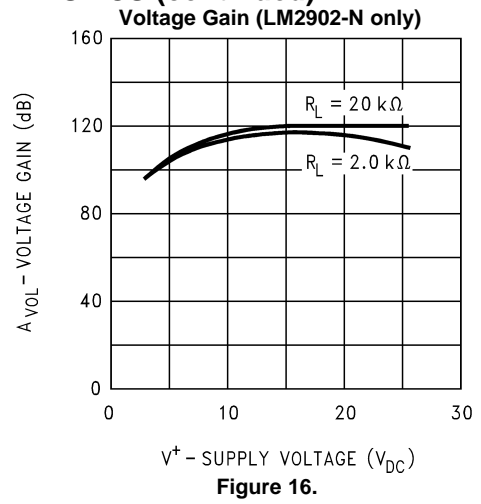
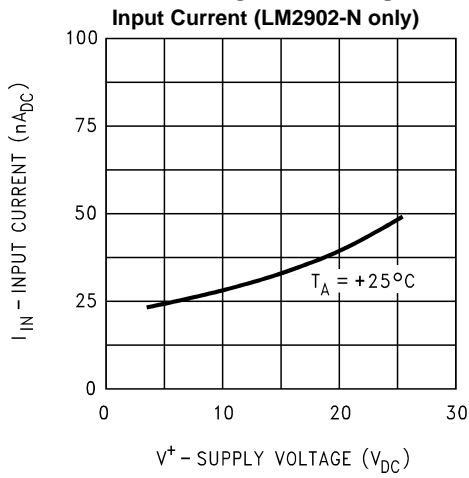


Figure 14.

TYPICAL PERFORMANCE CHARACTERISTICS (continued)



APPLICATION HINTS

The LM124-N series are op amps which operate with only a single power supply voltage, have true-differential inputs, and remain in the linear mode with an input common-mode voltage of $0 V_{DC}$. These amplifiers operate over a wide range of power supply voltage with little change in performance characteristics. At 25°C amplifier operation is possible down to a minimum supply voltage of $2.3 V_{DC}$.

The pinouts of the package have been designed to simplify PC board layouts. Inverting inputs are adjacent to outputs for all of the amplifiers and the outputs have also been placed at the corners of the package (pins 1, 7, 8, and 14).

Precautions should be taken to insure that the power supply for the integrated circuit never becomes reversed in polarity or that the unit is not inadvertently installed backwards in a test socket as an unlimited current surge through the resulting forward diode within the IC could cause fusing of the internal conductors and result in a destroyed unit.

Large differential input voltages can be easily accommodated and, as input differential voltage protection diodes are not needed, no large input currents result from large differential input voltages. The differential input voltage may be larger than V^+ without damaging the device. Protection should be provided to prevent the input voltages from going negative more than $-0.3 V_{DC}$ (at 25°C). An input clamp diode with a resistor to the IC input terminal can be used.

To reduce the power supply drain, the amplifiers have a class A output stage for small signal levels which converts to class B in a large signal mode. This allows the amplifiers to both source and sink large output currents. Therefore both NPN and PNP external current boost transistors can be used to extend the power capability of the basic amplifiers. The output voltage needs to raise approximately 1 diode drop above ground to bias the on-chip vertical PNP transistor for output current sinking applications.

For ac applications, where the load is capacitively coupled to the output of the amplifier, a resistor should be used, from the output of the amplifier to ground to increase the class A bias current and prevent crossover distortion.

Where the load is directly coupled, as in dc applications, there is no crossover distortion.

Capacitive loads which are applied directly to the output of the amplifier reduce the loop stability margin. Values of 50 pF can be accommodated using the worst-case non-inverting unity gain connection. Large closed loop gains or resistive isolation should be used if larger load capacitance must be driven by the amplifier.

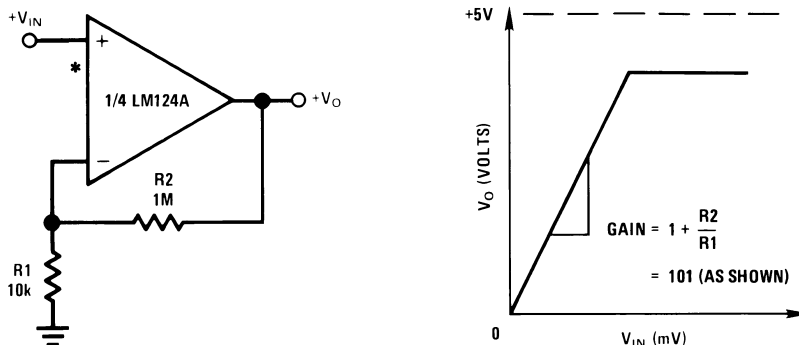
The bias network of the LM124-N establishes a drain current which is independent of the magnitude of the power supply voltage over the range of from $3 V_{DC}$ to $30 V_{DC}$.

Output short circuits either to ground or to the positive power supply should be of short time duration. Units can be destroyed, not as a result of the short circuit current causing metal fusing, but rather due to the large increase in IC chip dissipation which will cause eventual failure due to excessive junction temperatures. Putting direct short-circuits on more than one amplifier at a time will increase the total IC power dissipation to destructive levels, if not properly protected with external dissipation limiting resistors in series with the output leads of the amplifiers. The larger value of output source current which is available at 25°C provides a larger output current capability at elevated temperatures (see [TYPICAL PERFORMANCE CHARACTERISTICS](#)) than a standard IC op amp.

The circuits presented in the section on [Typical Single-Supply Applications](#) emphasize operation on only a single power supply voltage. If complementary power supplies are available, all of the standard op amp circuits can be used. In general, introducing a pseudo-ground (a bias voltage reference of $V^+/2$) will allow operation above and below this value in single power supply systems. Many application circuits are shown which take advantage of the wide input common-mode voltage range which includes ground. In most cases, input biasing is not required and input voltages which range to ground can easily be accommodated.

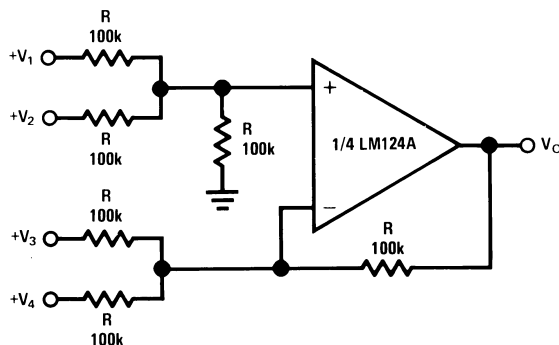
Typical Single-Supply Applications

($V^+ = 5.0 V_{DC}$)



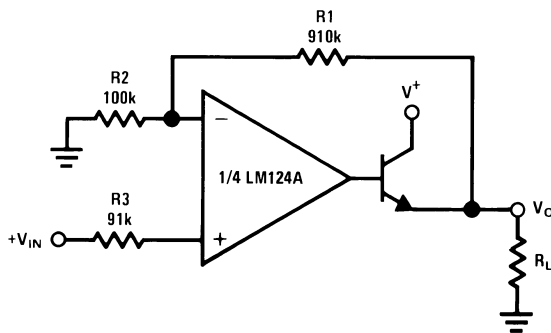
*R not needed due to temperature independent I_{IN}

Figure 17. Non-Inverting DC Gain (0V Input = 0V Output)



Where: $V_0 = V_1 + V_2 - V_3 - V_4$
 $(V_1 + V_2) \geq (V_3 + V_4)$ to keep $V_0 > 0 V_{DC}$

Figure 18. DC Summing Amplifier
 $(V_{IN}'S \geq 0 V_{DC} \text{ and } V_0 \geq V_{DC})$



$V_0 = 0 V_{DC}$ for $V_{IN} = 0 V_{DC}$
 $A_V = 10$

Figure 19. Power Amplifier

($V^+ = 5.0 V_{DC}$)

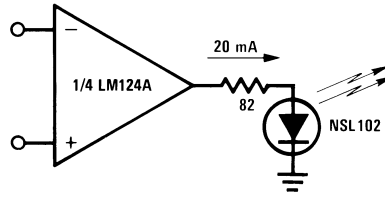
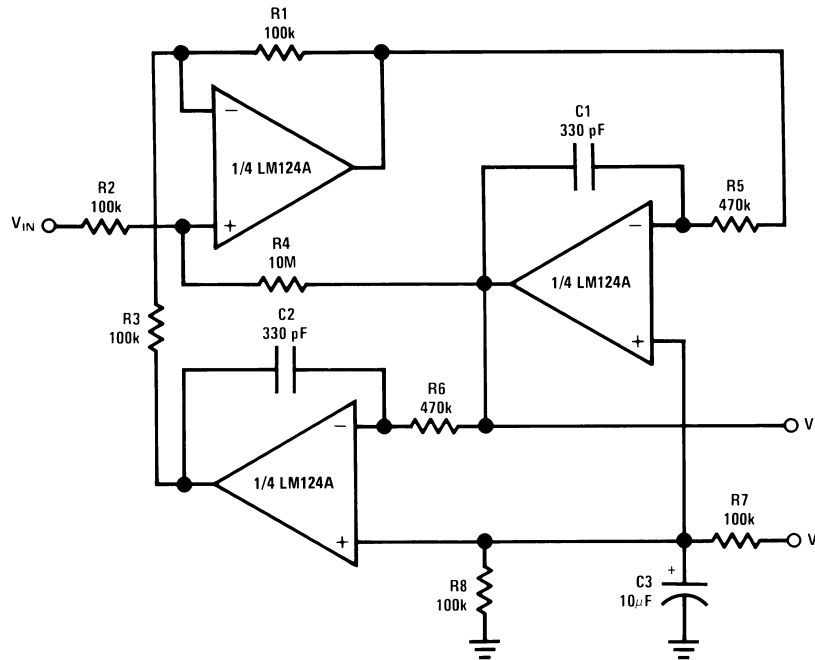


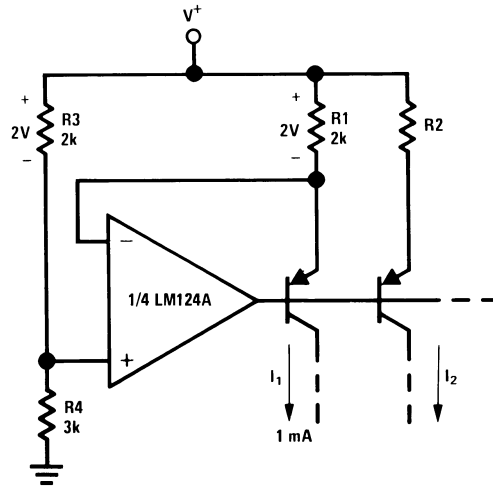
Figure 20. LED Driver



$f_o = 1 \text{ kHz}$
 $Q = 50$
 $A_V = 100 \text{ (40 dB)}$

Figure 21. "BI-QUAD" RC Active Bandpass Filter

($V^+ = 5.0 V_{DC}$)



$$I_2 = \left(\frac{R1}{R2} \right) I_1$$

Figure 22. Fixed Current Sources

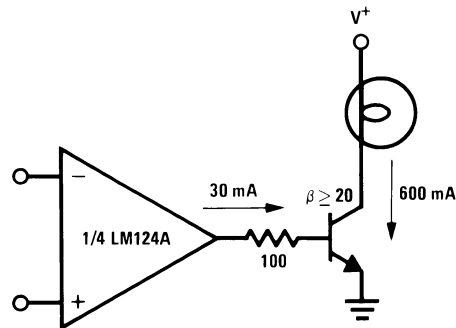
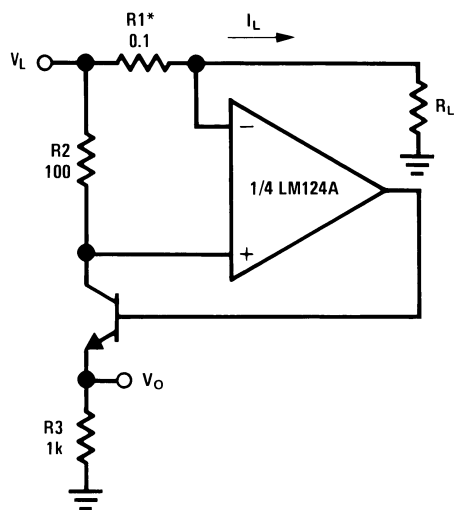


Figure 23. Lamp Driver

($V^+ = 5.0 V_{DC}$)



$$V_o = \frac{1V(I_L)}{1A}$$

$$V_L \leq V^+ - 2V$$

*(Increase R1 for I_L small)

Figure 24. Current Monitor

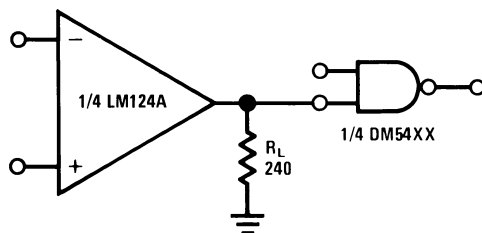


Figure 25. Driving TTL

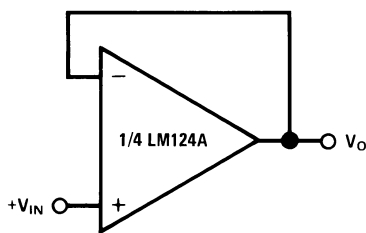


Figure 26. Voltage Follower

($V^+ = 5.0 V_{DC}$)

Figure 27.

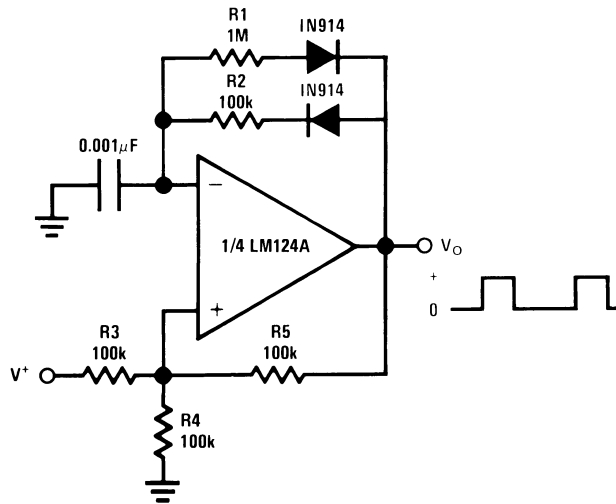


Figure 28. Pulse Generator

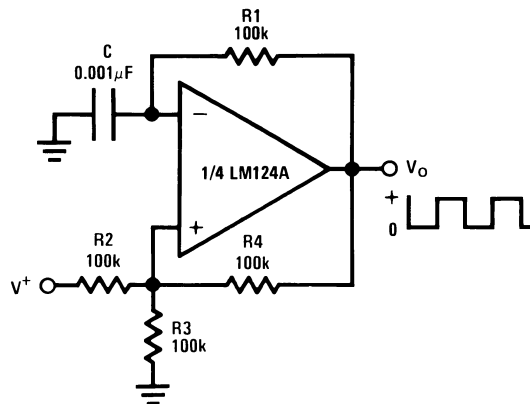


Figure 29. Squarewave Oscillator

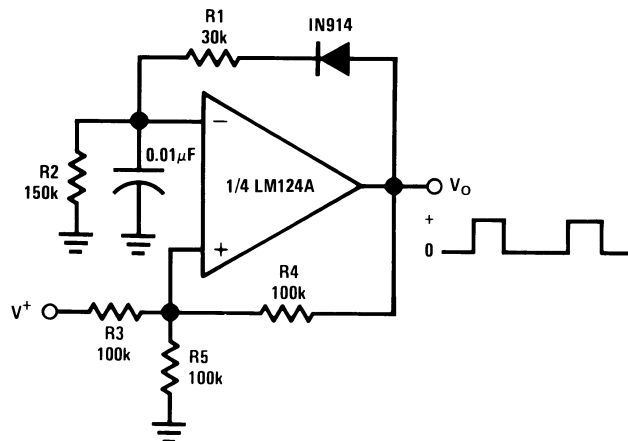
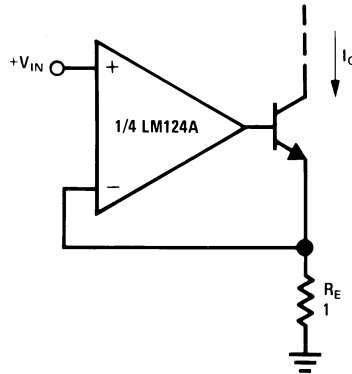


Figure 30. Pulse Generator

($V^+ = 5.0 V_{DC}$)



$I_o = 1 \text{ amp/volt } V_{IN}$
(Increase R_E for I_o small)

Figure 31. High Compliance Current Sink

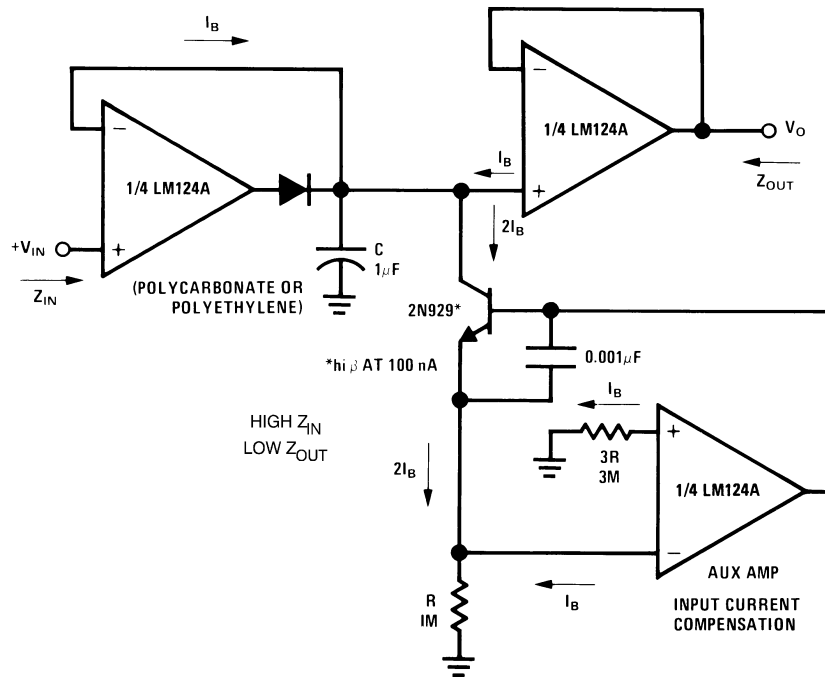


Figure 32. Low Drift Peak Detector

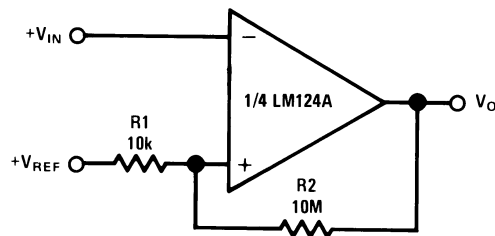
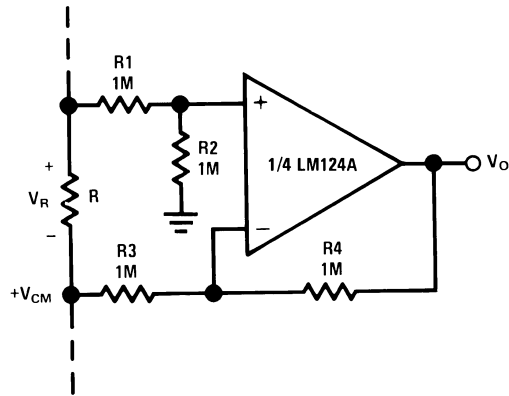


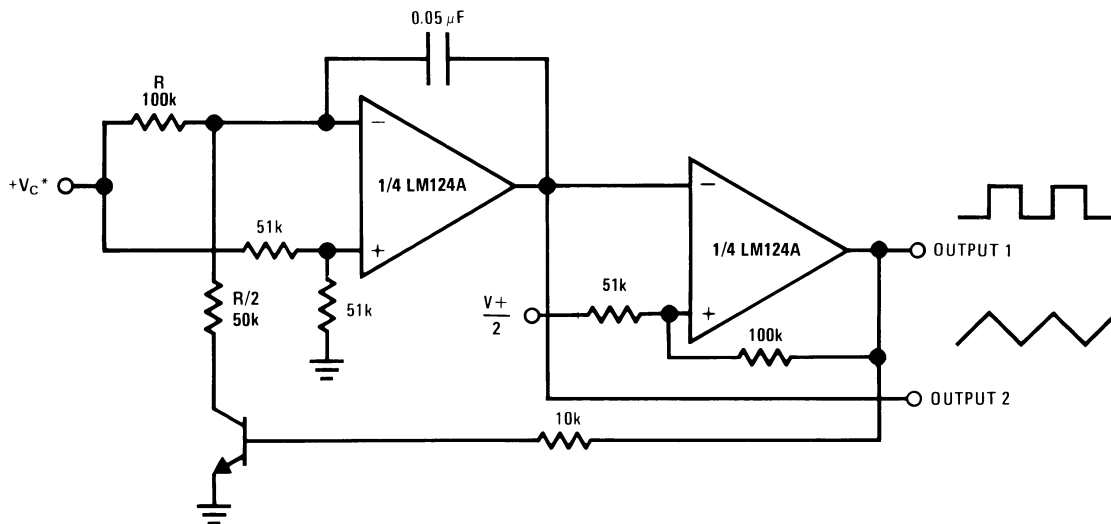
Figure 33. Comparator with Hysteresis

($V^+ = 5.0 V_{DC}$)



$V_O = V_R$

Figure 34. Ground Referencing a Differential Input Signal



*Wide control voltage range: $0 V_{DC} \leq V_C \leq 2 (V^+ - 1.5 V_{DC})$

Figure 35. Voltage Controlled Oscillator Circuit

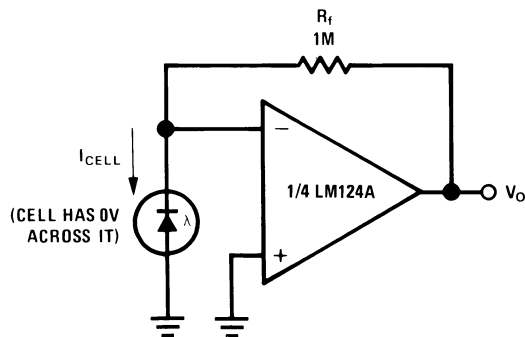
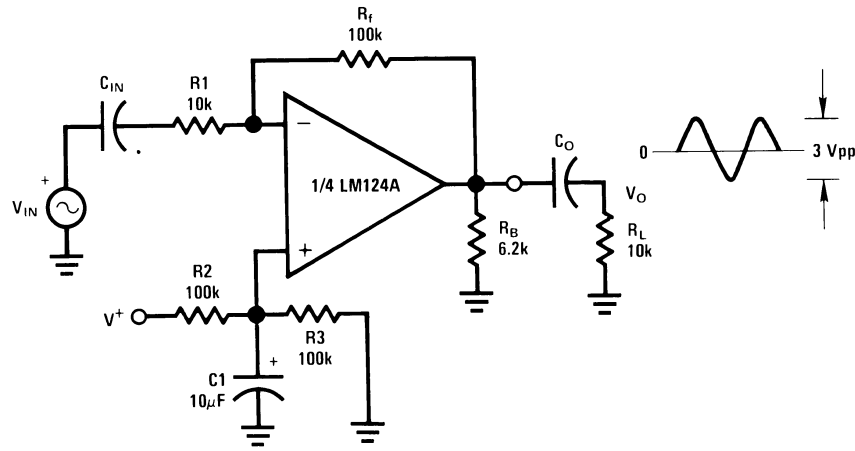


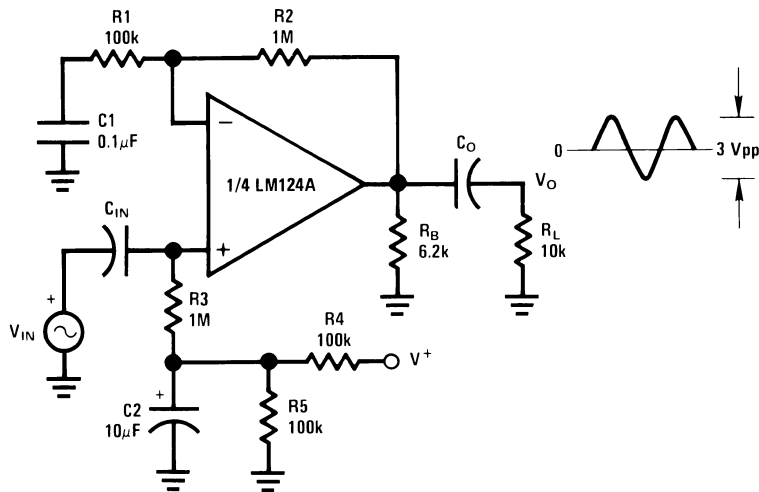
Figure 36. Photo Voltaic-Cell Amplifier

(V⁺ = 5.0 V_{DC})



$$A_v = \frac{R_f}{R_1} \text{ (As shown, } A_v = 10\text{)}$$

Figure 37. AC Coupled Inverting Amplifier

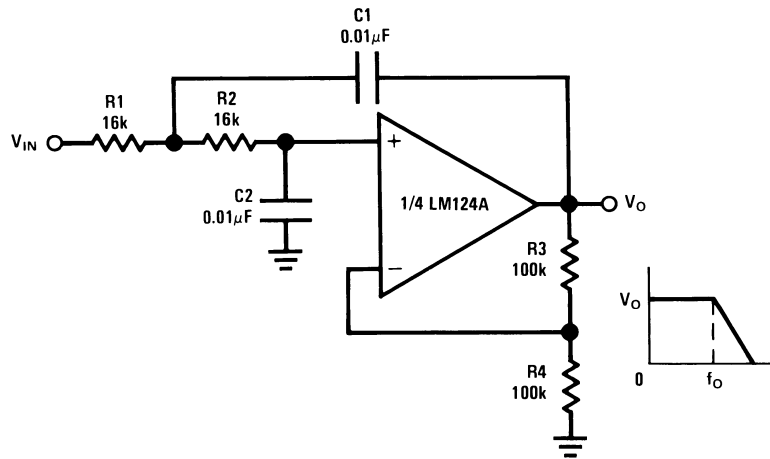


$$A_v = 1 + \frac{R_2}{R_1}$$

$A_v = 11 \text{ (As shown)}$

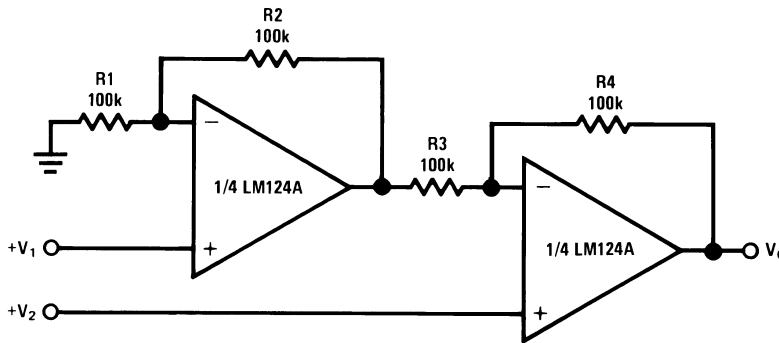
Figure 38. AC Coupled Non-Inverting Amplifier

($V^+ = 5.0 V_{DC}$)



$f_0 = 1 \text{ kHz}$
 $Q = 1$
 $A_V = 2$

Figure 39. DC Coupled Low-Pass RC Active Filter



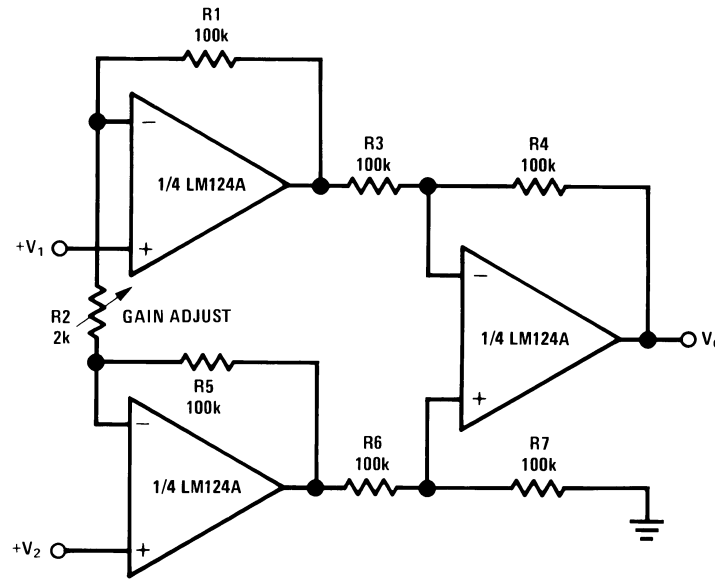
For $\frac{R1}{R2} = \frac{R4}{R3}$ (CMRR depends on this resistor ratio match)

$$V_O = 1 + \frac{R4}{R3}(V_2 - V_1)$$

As shown: $V_O = 2(V_2 - V_1)$

Figure 40. High Input Z, DC Differential Amplifier

($V^+ = 5.0 V_{DC}$)



If $R1 = R5$ & $R3 = R4 = R6 = R7$ (CMRR depends on match)

$$V_O = 1 + \frac{2R1}{R2} (V_2 - V_1)$$

As shown $V_O = 101 (V_2 - V_1)$

Figure 41. High Input Z Adjustable-Gain DC Instrumentation Amplifier

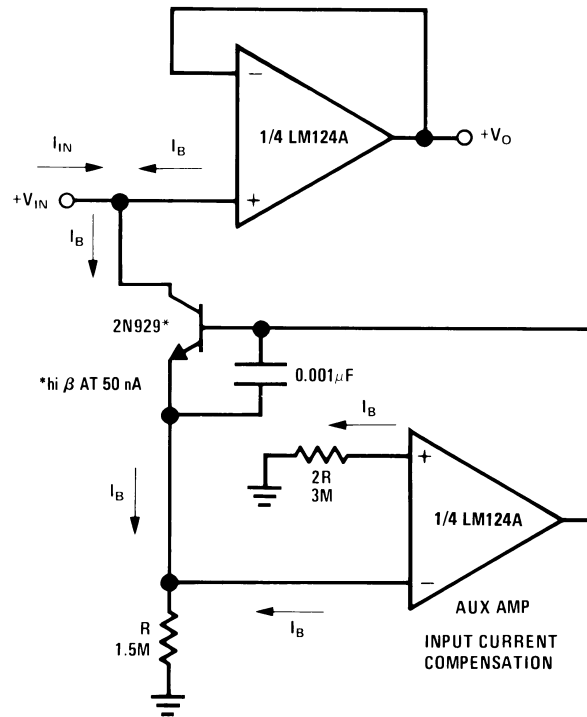
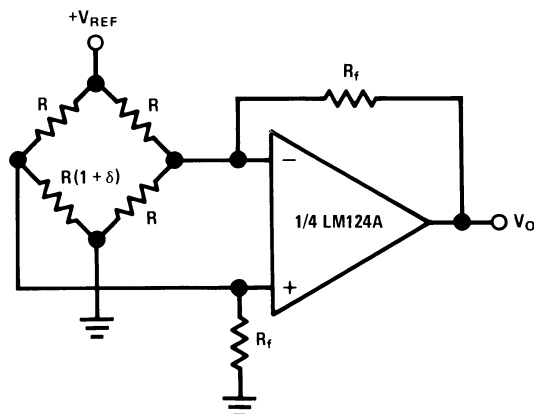


Figure 42. Using Symmetrical Amplifiers to Reduce Input Current (General Concept)

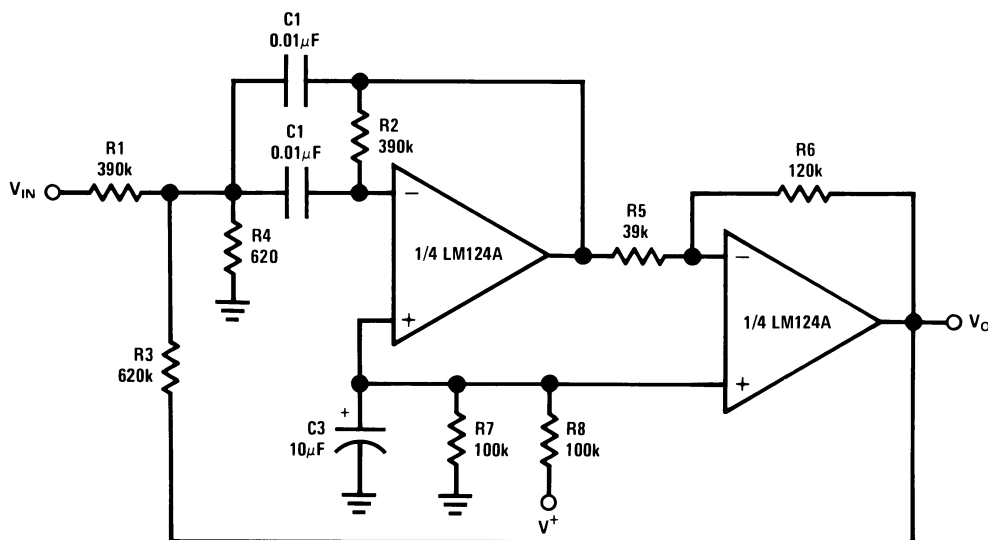
($V^+ = 5.0 V_{DC}$)



For $\delta \ll 1$ and $R_f \gg R$

$$V_O \approx V_{REF} \left(\frac{\delta}{2} \right) \frac{R_f}{R}$$

Figure 43. Bridge Current Amplifier

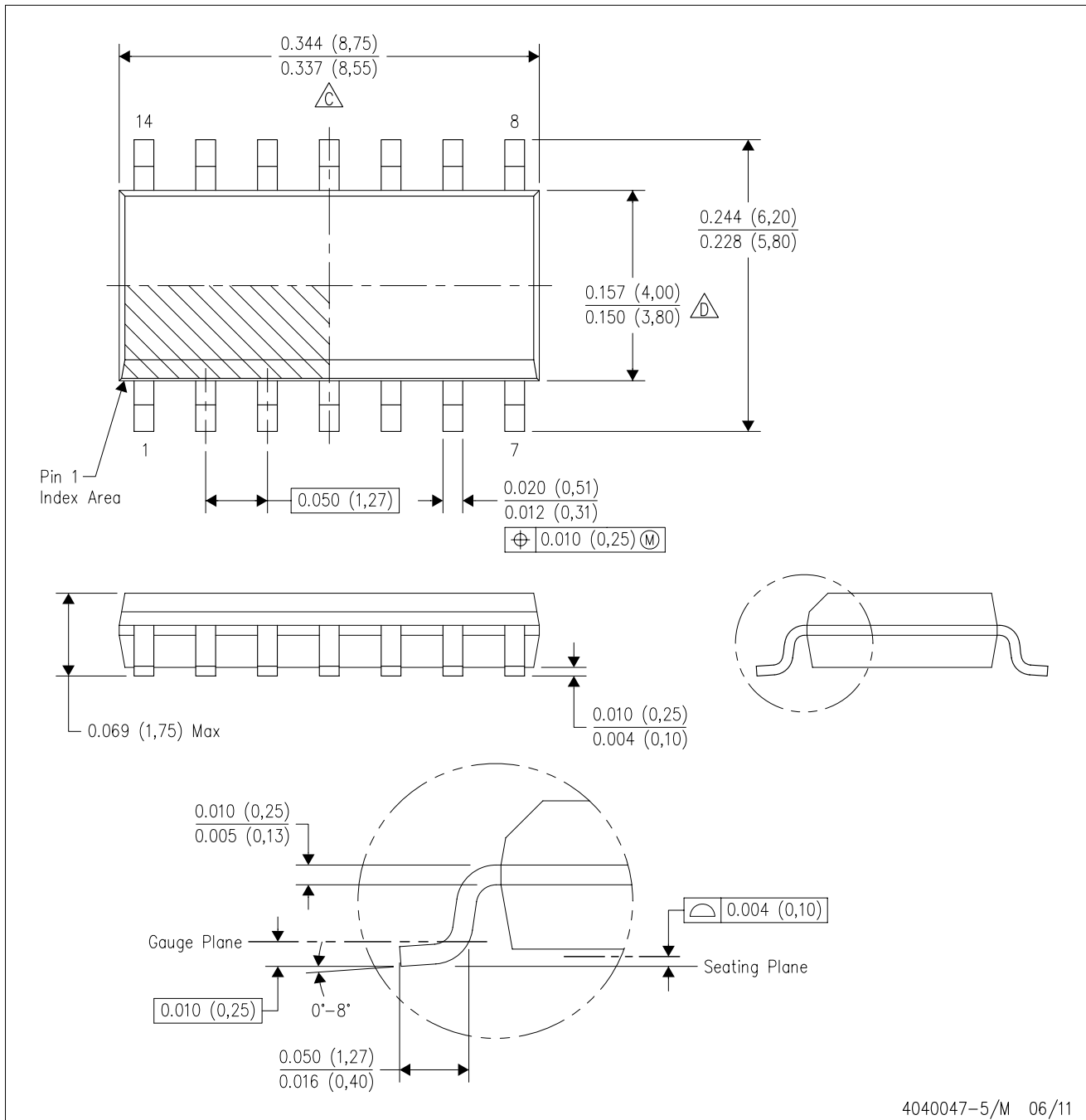


$f_o = 1 \text{ kHz}$
 $Q = 25$

Figure 44. Bandpass Active Filter

D (R-PDSO-G14)

PLASTIC SMALL OUTLINE



- NOTES:
- A. All linear dimensions are in inches (millimeters).
 - B. This drawing is subject to change without notice.
 - $\triangle C$ Body length does not include mold flash, protrusions, or gate burrs. Mold flash, protrusions, or gate burrs shall not exceed 0.006 (0,15) each side.
 - $\triangle D$ Body width does not include interlead flash. Interlead flash shall not exceed 0.017 (0,43) each side.
 - E. Reference JEDEC MS-012 variation AB.

