

Spansion[®] Analog and Microcontroller Products



The following document contains information on Spansion analog and microcontroller products. Although the document is marked with the name "Fujitsu", the company that originally developed the specification, Spansion will continue to offer these products to new and existing customers.

Continuity of Specifications

There is no change to this document as a result of offering the device as a Spansion product. Any changes that have been made are the result of normal document improvements and are noted in the document revision summary, where supported. Future routine revisions will occur when appropriate, and changes will be noted in a revision summary.

Continuity of Ordering Part Numbers

Spansion continues to support existing part numbers beginning with "MB". To order these products, please use only the Ordering Part Numbers listed in this document.

For More Information

Please contact your local sales office for additional information about Spansion memory, analog, and microcontroller products and solutions.



32-BIT MICROCONTROLLER

FM4 Family

PERIPHERAL MANUAL

Communication Macro

Part

For the latest information for microcontroller supports, see the following web site.

<http://edevice.fujitsu.com/micom/en-support/>

FUJITSU SEMICONDUCTOR LIMITED

Preface

Thank you for your continued use of Fujitsu semiconductor products.
Read this manual and "Data Sheet" thoroughly before using products in this family.
In addition, this manual is defined as separate volume which is extracted the Communication Macro part from the peripheral manual.

■ Purpose of this manual and intended readers

This manual explains the functions and operations of this family and describes how it is used. The manual is intended for engineers engaged in the actual development of products using this family.

- * This manual explains the configuration and operation of the peripheral functions, but does not cover the specifics of each device in the series.
Users should refer to the respective data sheets of devices for device-specific details.

■ Trademark

ARM and Cortex are the trademarks of ARM Limited in the EU and other countries.

The company names and brand names herein are the trademarks or registered trademarks of their respective owners.

■ Sample programs and development environment

Fujitsu Semiconductor offers sample programs free of charge for using the peripheral functions of the FM4 family. Fujitsu Semiconductor also makes available descriptions of the development environment required for this series. Feel free to use them to verify the operational specifications and usage of this Fujitsu Semiconductor microcontroller.

- Microcontroller support information:
<http://edevic.fujitsu.com/micom/en-support/>
- * : Note that the sample programs are subject to change without notice. Since they are offered as a way to demonstrate standard operations and usage, evaluate them sufficiently before running them on your system.
Fujitsu Semiconductor assumes no responsibility for any damage that may occur as a result of using a sample program.

■ Overall Organization of This Manual

Peripheral Manual Timer Part has 4 chapters and APPENDIXES as shown below.

CHAPTER 1-1 : Multi-function Serial Interface

CHAPTER 1-2 : UART (Asynchronous Serial Interface)

CHAPTER 1-3 : CSIO (Clock Synchronous Serial Interface)

CHAPTER 1-4 : LIN Interface (Ver. 2.1) (LIN Communication Control Interface Ver. 2.1)

CHAPTER 1-5 : I²C Interface (I²C Communications Control Interface)

CHAPTER 2-1 : USB/Ethernet Clock Generation Block

CHAPTER 2-2 : USB Clock Generation

CHAPTER 2-3 : USB/Ethernet Clock Generation

CHAPTER 3-1 : USB Function

CHAPTER 3-2 : USB Host

CHAPTER 4-1 : Can Prescaler

CHAPTER 4-2 : CAN Controller

APPENDIXES

- FUJITSU SEMICONDUCTOR LIMITED, its subsidiaries and affiliates (collectively, "FUJITSU SEMICONDUCTOR") reserves the right to make changes to the information contained in this document without notice. Please contact your FUJITSU SEMICONDUCTOR sales representatives before order of FUJITSU SEMICONDUCTOR device.
- Information contained in this document, such as descriptions of function and application circuit examples is presented solely for reference to examples of operations and uses of FUJITSU SEMICONDUCTOR device. FUJITSU SEMICONDUCTOR disclaims any and all warranties of any kind, whether express or implied, related to such information, including, without limitation, quality, accuracy, performance, proper operation of the device or non-infringement. If you develop equipment or product incorporating the FUJITSU SEMICONDUCTOR device based on such information, you must assume any responsibility or liability arising out of or in connection with such information or any use thereof. FUJITSU SEMICONDUCTOR assumes no responsibility or liability for any damages whatsoever arising out of or in connection with such information or any use thereof.
- Nothing contained in this document shall be construed as granting or conferring any right under any patents, copyrights, or any other intellectual property rights of FUJITSU SEMICONDUCTOR or any third party by license or otherwise, express or implied. FUJITSU SEMICONDUCTOR assumes no responsibility or liability for any infringement of any intellectual property rights or other rights of third parties resulting from or in connection with the information contained herein or use thereof.
- The products described in this document are designed, developed and manufactured as contemplated for general use including without limitation, ordinary industrial use, general office use, personal use, and household use, but are not designed, developed and manufactured as contemplated (1) for use accompanying fatal risks or dangers that, unless extremely high levels of safety is secured, could lead directly to death, personal injury, severe physical damage or other loss (including, without limitation, use in nuclear facility, aircraft flight control system, air traffic control system, mass transport control system, medical life support system and military application), or (2) for use requiring extremely high level of reliability (including, without limitation, submersible repeater and artificial satellite). FUJITSU SEMICONDUCTOR shall not be liable for you and/or any third party for any claims or damages arising out of or in connection with above-mentioned uses of the products.
- Any semiconductor devices fail or malfunction with some probability. You are responsible for providing adequate designs and safeguards against injury, damage or loss from such failures or malfunctions, by incorporating safety design measures into your facility, equipments and products such as redundancy, fire protection, and prevention of overcurrent levels and other abnormal operating conditions.
- The products and technical information described in this document are subject to the Foreign Exchange and Foreign Trade Control Law of Japan, and may be subject to export or import laws or regulations in U.S. or other countries. You are responsible for ensuring compliance with such laws and regulations relating to export or re-export of the products and technical information described herein.
- All company names, brand names and trademarks herein are property of their respective owners.

Copyright ©2013 FUJITSU SEMICONDUCTOR LIMITED All rights reserved.

Related Manuals

The manuals related to this family are listed below. See the manual appropriate to the applicable conditions.

The contents of these manuals are subject to change without notice. Contact us to check the latest versions available.

■ Peripheral Manual

- **FM4 Family PERIPHERAL MANUAL**
(Called "PERIPHERAL MANUAL" hereafter)
- **FM4 Family PERIPHERAL MANUAL Timer Part**
(Called "Timer Part" hereafter)
- **FM4 Family PERIPHERAL MANUAL Analog Macro Part**
(Called "Analog Macro Part" hereafter)
- **FM4 Family PERIPHERAL MANUAL Communication Macro Part (this manual)**
(Called "Communication Macro Part" hereafter)

■ Data sheet

For details about device-specific, electrical characteristics, package dimensions, ordering information etc., see the following document.

- **32-bit Microcontroller FM4 Family DATA SHEET**

* The data sheets for each series are provided.
See the appropriate data sheet for the series that you are using.

■ CPU Programming manual

For details about ARM Cortex-M4F core, see the following documents that can be obtained from <http://www.arm.com/>.

- **Cortex-M4 Technical Reference Manual**
- **ARMv7-M Architecture Application Level Reference Manual**

■ Flash Programming manual

For details about the functions and operations of the built-in flash memory, see the following document.

- **FM4 Family FLASH PROGRAMMING MANUAL**

* The Flash Programming manuals for each series are provided.
See the appropriate Flash Programming manual for the series that you are using.

How to Use This Manual

■ Finding a function

The following methods can be used to search for the explanation of a desired function in this manual:

- Search from the table of the contents
The table of the contents lists the manual contents in the order of description.
- Search from the register
The address where each register is located is not described in the text. To verify the address of a register, see "A. Register Map" in "APPENDIXES".

■ About the chapters

Basically, this manual explains Communication Macro Part.

■ Terminology

This manual uses the following terminology.

Term	Explanation
Word	Indicates access in units of 32 bits.
Half word	Indicates access in units of 16 bits.
Byte	Indicates access in units of 8 bits.

■ Notations

- The notations in bit configuration of the register explanation of this manual are written as follows.
 - bit : bit number
 - Field : bit field name
 - Attribute : Attributes for read and write of each bit
 - R : Read only
 - W : Write only
 - R/W : Readable/Writable
 - - : Undefined
 - Initial value : Initial value of the register after reset
 - 0 : Initial value is "0"
 - 1 : Initial value is "1"
 - X : Initial value is undefined
- The multiple bits are written as follows in this manual.
Example : bit7:0 indicates the bits from bit7 to bit0
- The values such as for addresses are written as follows in this manual.
 - Hexadecimal number : "0x" is attached in the beginning of a value as a prefix (example : 0xFFFF)
 - Binary number : "0b" is attached in the beginning of a value as a prefix (example: 0b1111)
 - Decimal number : Written using numbers only (example : 1000)

CONTENTS

CHAPTER 1-1: Multi-function Serial Interface	1
1. Overview of the Multi-function Serial Interface	2
CHAPTER 1-2: UART (Asynchronous Serial Interface)	5
1. Overview of UART (Asynchronous Serial Interface)	6
2. UART Interrupt	7
2.1. Received interrupt and flag set timing	8
2.2. Interrupt and flag set timing when received FIFO is used	10
2.3. Transmit interrupt and flag set timing	12
2.4. Interrupt and flag set timing when transmit FIFO is used	13
3. UART Operation	14
4. Dedicated Baud Rate Generator	22
4.1. Baud rate settings	23
5. Setting Procedure and Program Flow in Operation Mode 0 (Asynchronous Normal Mode)	28
6. Setting Procedure and Program Flow in Operation Mode 1 (Asynchronous Multiprocessor Mode)	31
7. UART (Asynchronous Serial Interface) Registers	35
7.1. Serial Control Register (SCR)	36
7.2. Serial Mode Register (SMR)	39
7.3. Serial Status Register (SSR)	41
7.4. Extended Communication Control Register (ESCR)	44
7.5. Received Data Register/Transmit Data Register (RDR/TDR)	46
7.6. Baud Rate Generator Registers 1 and 0 (BGR1 and BGR0)	48
7.7. FIFO Control Register 1 (FCR1)	50
7.8. FIFO Control Register 0 (FCR0)	53
7.9. FIFO Byte Register (FBYTE)	57
CHAPTER 1-3: CSIO (Clock Synchronous Serial Interface)	59
1. Overview of CSIO (Clock Synchronous Serial Interface)	60
2. CSIO (Clock Synchronous Serial Interface) interrupts	61
2.1. Received interrupt and flag set timing	63
2.2. Interrupt and flag set timing when received FIFO is used	65
2.3. Transmit interrupt and flag set timing	67
2.4. Interrupt and flag set timing when transmit FIFO is used	68
2.5. Timer Interrupt Occurrence and Flag Setting Timing	69
2.6. Chip Select Error Occurrence and Flag Setting Timing	70
3. CSIO (Clock Synchronous Serial Interface) operations	72
3.1. Normal transfer (I)	72
3.2. Normal transfer (II)	82
3.3. SPI transfer (I)	92
3.4. SPI transfer (II)	102
4. Serial Timer Operation	112
5. Serial Chip Select Operation	118
6. Dedicated baud rate generator	124
6.1. Baud rate settings	125

6.2. CSIO (Clock Synchronous Serial Interface) setup procedure and program flow	128
7. CSIO (Clock Synchronous Serial Interface) registers.....	130
7.1. Serial Control Register (SCR).....	132
7.2. Serial Mode Register (SMR).....	135
7.3. Serial Status Register (SSR).....	138
7.4. Extended Communication Control Register (ESCR)	141
7.5. Received Data Register/Transmit Data Register (RDR/TDR)	143
7.6. Serial Support Control Register (SACSR)	145
7.7. Serial Timer Register (STMR).....	149
7.8. Serial Timer Comparison Register (STMCR).....	150
7.9. Serial Chip Select Control Status Register (SCSCR)	151
7.10. Serial Chip Select Timing Register (SCSTR3:0).....	154
7.11. Transfer Byte Register (TBYTE0)	157
7.12. Baud Rate Generator Registers 1 and 0 (BGR1 and BGR0)	158
7.13. FIFO Control Register 1 (FCR1).....	159
7.14. FIFO Control Register 0 (FCR0).....	161
7.15. FIFO Byte Register (FBYTE)	165
8. Restrictions on CSIO (Clock Synchronous Serial Interface).....	167
CHAPTER 1-4: LIN Interface (Ver. 2.1) (LIN Communication Control Interface Ver. 2.1)	169
1. Overview of LIN Interface (Ver. 2.1) (LIN Communication Control Interface Ver. 2.1).....	170
2. LIN Interface (Ver. 2.1) Interrupts	171
2.1. Received interrupt and flag set timing.....	172
2.2. Interrupt and flag set timing when received FIFO is used	174
2.3. Transmit interrupt and flag set timing.....	176
2.4. Interrupt and flag set timing when transmit FIFO is used	177
3. Dedicated Baud Rate Generator	178
3.1. Baud rate settings	179
4. LIN Interface (Ver. 2.1) Operations	184
5. Operation Mode 3 (LIN Communication Mode) Setting Procedure and Program Flow.....	194
6. LIN Interface (ver. 2.1) Registers.....	199
6.1. Serial Control Register (SCR).....	200
6.2. Serial Mode Register (SMR).....	203
6.3. Serial Status Register (SSR).....	205
6.4. Extended Communication Control Register (ESCR)	208
6.5. Received Data Register/Transmit Data Register (RDR/TDR)	210
6.6. Baud Rate Generator Registers 1 and 0 (BGR1 and BGR0)	212
6.7. FIFO Control Register 1 (FCR1).....	214
6.8. FIFO Control Register 0 (FCR0).....	216
6.9. FIFO Byte Register (FBYTE)	220
CHAPTER 1-5: I ² C Interface (I ² C Communications Control Interface).....	223
1. Overview of I ² C Interface (I ² C Communications Control Interface)	224
2. I ² C Interface interrupt	225
2.1. I ² C interface operation	227
2.2. Master mode	228

2.3. Slave mode	259
2.4. Bus error	268
3. Dedicated Baud Rate Generator	269
4. I ² C communication operation flowchart examples	271
5. I ² C Interface Registers	278
5.1. I ² C Bus Control Register (IBCR)	279
5.2. Serial Mode Register (SMR)	286
5.3. I ² C Bus Status Register (IBSR)	288
5.4. Serial Status Register (SSR)	293
5.5. Received Data Register/Transmit Data Register (RDR/TDR)	297
5.6. Noise Filter Control Register (NFCR)	299
5.7. Extension I ² C Bus Control Register (EIBCR)	301
5.8. 7-bit Slave Address Mask Register (ISMK)	303
5.9. 7-bit Slave Address Register (ISBA)	304
5.10. Baud Rate Generator Registers 1 and 0 (BGR1 and BGR0)	305
5.11. FIFO Control Register 1 (FCR1)	306
5.12. FIFO Control Register 0 (FCR0)	308
5.13. FIFO Byte Register (FBYTE)	313
CHAPTER 2-1: USB/Ethernet Clock Generation Block	315
1. Overview and Configuration	316
CHAPTER 2-2: USB Clock Generation	317
1. Overview	318
2. Configuration and Block Diagram	319
3. Explanation of Operation	320
4. Setup Procedure Example	322
5. Register List	323
5.1. USB Clock Control Register (UCCR)	324
5.2. USB-PLL Control Register1 (UPCR1)	325
5.3. USB-PLL Control Register 2 (UPCR2)	326
5.4. USB-PLL Control Register 3 (UPCR3)	327
5.5. USB-PLL Control Register 4 (UPCR4)	328
5.6. USB-PLL Control Register 5 (UPCR5)	329
5.7. USB-PLL Status Register (UP_STR)	330
5.8. USB-PLL Interrupt Factor Enable Register (UPINT_ENR)	331
5.9. USB-PLL Interrupt Factor Status Register (UPINT_STR)	332
5.10. USB-PLL Interrupt Factor Clear Register (UPINT_CLR)	333
5.11. USB(ch.0) Enable Register (USBEN0)	334
5.12. USB (ch.1) Enable Register (USBEN1)	335
6. Usage Precautions	336
CHAPTER 2-3: USB/Ethernet Clock Generation	337
1. Overview	338
2. Configuration and Block Diagram	339
3. Description of operation	341
4. Example of setting procedure	343
5. List of Registers	344
5.1. USB/Ethernet Clock Control Register (UCCR)	345

5.2. USB/Ethernet-PLL Control Register1 (UPCR1).....	347
5.3. USB/Ethernet-PLL Control Register2 (UPCR2).....	348
5.4. USB/Ethernet-PLL Control Register3 (UPCR3).....	349
5.5. USB/Ethernet-PLL Control Register4 (UPCR4).....	350
5.6. USB/Ethernet-PLL Control Register5 (UPCR5).....	351
5.7. USB/Ethernet-PLL Control Register6 (UPCR6).....	352
5.8. USB/Ethernet-PLL Control Register7 (UPCR7).....	353
5.9. USB/Ethernet-PLL State Register (UP_STR)	354
5.10. USB/Ethernet-PLL Interrupt Factor Enable Register (UPINT_ENR)	355
5.11. USB/Ethernet-PLL Interrupt Factor State Register (UPINT_STR).....	356
5.12. USB/Ethernet-PLL Interrupt Factor Clear Register (UPINT_CLR)	357
5.13. USB (ch.0) Enable Register (USBEN0).....	358
5.14. USB (ch.1) Enable Register (USBEN1).....	359
6. Usage Precautions	360
CHAPTER 3-1: USB Function.....	361
1. Overview of USB Function	362
1.1. Features of USB function	362
2. Configuration of USB Function	363
3. Operations of USB Function.....	365
3.1. USB function operation	366
3.2. Detection of connection and disconnection	369
3.3. Operation of each register in response to a command.....	372
3.4. Suspend function	374
3.5. Wake-up function	375
3.6. DMA transfer function	377
3.7. NULL transfer function	381
3.8. STALL response/release of Endpoint 0.....	382
3.9. STALL response/release of Endpoint 1 to Endpoint 5	384
4. Examples of USB Function Setting Procedures	388
5. USB Function Registers	395
5.1. UDC Control Register (UDCC)	397
5.2. EP0 Control Register (EP0C)	400
5.3. EP1 to EP5 Control Registers (EP1C to EP5C)	402
5.4. Time Stamp Register (TMSR)	406
5.5. UDC Status Register (UDCS)	407
5.6. UDC Interrupt Enable Register (UDCIE).....	410
5.7. EP0I Status Register (EP0IS)	412
5.8. EP0O Status Register (EP0OS).....	414
5.9. EP1 to EP5 Status Registers (EP1S to EP5S)	416
5.10. EP0 to EP5 Data Registers (EP0DTH to EP5DTH/EP0DTL to EP5DTL)	420
CHAPTER 3-2: USB Host	423
1. Overview of USB host	424
2. USB host configuration.....	426
3. USB host operations	427
3.1. Device connection.....	428
3.2. USB bus resetting	430
3.3. Token packet	431
3.4. Data packet	433

3.5. Handshake packet	434
3.6. Retry function	435
3.7. SOF interrupt.....	436
3.8. Error status.....	438
3.9. End of packet	439
3.10. Suspend and resume operations	440
3.11. Device disconnection	443
4. USB host setting procedure examples	444
5. USB host registers	449
5.1. Host Control Registers 0 and 1 (HCNT0 and HCNT1)	451
5.2. Host Interrupt Register (HIRQ)	456
5.3. Host Error Status Register (HERR).....	460
5.4. Host Status Register (HSTATE)	463
5.5. SOF Interrupt Frame Compare Register (HFCOMP)	466
5.6. Retry Timer Setup Register (HRTIMER).....	467
5.7. Host Address Register (HADR).....	468
5.8. EOF Setup Register (HEOF)	469
5.9. Frame Setup Register (HFRAME)	470
5.10. Host Token Endpoint Register (HTOKEN)	471
CHAPTER 4-1: CAN Prescaler	473
1. Overview and configuration	474
2. CAN Prescaler Register	475
2.1. CAN Prescaler Register (CANPRE)	476
CHAPTER 4-2: CAN Controller	477
1. Overview	478
2. Configuration	479
3. CAN Controller Operations.....	480
3.1. Message objects	481
3.2. Message transmission	483
3.3. Message reception.....	486
3.4. FIFO buffer function	489
3.5. Interrupt function	491
3.6. Bit timing	492
3.7. Test mode.....	494
3.8. Software initialization	498
4. CAN Registers.....	499
4.1. CAN register functions	502
4.2. Total control registers	503
4.2.1. CAN Control Register (CTRLR)	504
4.2.2. CAN Status Register (STATR).....	508
4.2.3. CAN Error Counter (ERRCNT)	511
4.2.4. CAN Bit Timing Register (BTR).....	512
4.2.5. CAN Interrupt Register (INTR).....	513
4.2.6. CAN Test Register (TESTR)	514
4.2.7. CAN Prescaler Extension Register (BRPER)	516
4.3. Message interface registers.....	517
4.3.1. IFx Command Request Register (IFxCREQ).....	518
4.3.2. IFx Command Mask Register (IFxCMSK).....	520

4.3.3. IFx Mask Registers 1, 2 (IFxMSK1, IFxMSK2)	525
4.3.4. IFx Arbitration Registers 1, 2 (IFxARB1, IFxARB2).....	526
4.3.5. IFx Message Control Register (IFxMCTR).....	527
4.3.6. IFx Data Registers A1, A2, B1, and B2 (IFxDTA1, IFxDTA2, IFxDTB1, and IFxDTB2)	528
4.4. Message objects	529
4.5. Message handler registers.....	535
4.5.1. CAN Transmit Request Registers 1, 2 (TREQR1, TREQR2).....	536
4.5.2. CAN New Data Registers 1, 2 (NEWDT1, NEWDT2).....	538
4.5.3. CAN Interrupt Pending Registers 1, 2 (INTPND1, INTPND2).....	540
4.5.4. CAN Message Valid Registers 1, 2 (MSGVAL1, MSGVAL2)	542
5. Notes	543
APPENDIXES	545
A. Register Map.....	546
1. Register Map.....	547
B List of Notes	600
1. Notes when high-speed CR is used for the master clock	601

MAJOR CHANGES IN THIS EDITION

Page	Section	Change Results
-	-	First edition

CHAPTER: Multi-function Serial Interface

This chapter describes the overview of the multi-function serial interface.

1. Overview of the Multi-function Serial Interface

1. Overview of the Multi-function Serial Interface

This multi-function serial interface has the following characteristics.

■ Interface Mode

The following interface modes are selectable for the multi-function serial interface depending on the operation mode settings.

- UART0 (Asynchronous normal serial interface)
- UART1 (Asynchronous multi-processor serial interface)
- CSIO (Clock synchronous serial interface) (SPI can be supported)
- LIN(LIN bus interface)
- I²C (I²C bus interface)

<Note>

See Chapters "UART(Asynchronous normal serial interface)", "CSIO (Clock synchronous serial interface) (SPI can be supported)", "LIN(LIN bus interface)" and "I²C (I²C bus interface)" for details about each interface.

■ Switching the Interface Mode

To communicate through each serial interface, the serial mode register (SMR) shown in Table 1-1 should be used to set the operation mode before starting the communication.

Table 1-1 Switching Interface Mode

MD2	MD1	MD0	Interface mode
0	0	0	UART0 (Asynchronous normal serial interface)
0	0	1	UART1 (Asynchronous multi-processor serial interface)
0	1	0	CSIO (Clock synchronization serial interface) (SPI can be supported)
0	1	1	LIN(LIN bus interface)
1	0	0	I ² C (I ² C bus interface)
Values other than the above			Setting is prohibited.

<Notes>

- Transmission and reception cannot be guaranteed when the operation mode is switched while one of the serial interfaces is still in use for transmission or reception operation.
- To switch the current operation mode, issue a programmable clear (SCR:UPCL=1) or disable the I²C (ISMK:EN=0), and switch the operation mode continuously. After the operation mode is set, set each register.
- The settings not listed in Table 1-1 are prohibited.

■ Transmission/Reception FIFO

This function has a 64-BYTE transmission FIFO and 64-BYTE reception FIFO. The FIFO capacity should be converted to 64 bytes when reading through this text.

■ **LIN Sync field Detection: LSYN**

To use an ICU in the LIN bus interface mode, use the ICU of the multifunction timer.

For switching an input to an ICU, see the section for Extended Function Pin Setting Register in the chapter "I/O PORT" in "PERIPHERAL MANUAL".

CHAPTER: UART (Asynchronous Serial Interface)

This chapter explains the UART (asynchronous serial interface) function supported in operation mode 0 and 1 of the multifunction serial interface.

1. Overview of UART (Asynchronous Serial Interface)
2. UART Interrupt
3. UART Operation
4. Dedicated Baud Rate Generator
5. Setting Procedure and Program Flow in Operation Mode 0 (Asynchronous Normal Mode)
6. Setting Procedure and Program Flow in Operation Mode 1 (Asynchronous Multiprocessor Mode)
7. UART (Asynchronous Serial Interface) Registers

1. Overview of UART (Asynchronous Serial Interface)

UART (asynchronous serial interface) is a general-purpose serial data communications interface for asynchronous communications (start/stop synchronization) with external devices. It supports a bi-directional communications function (normal mode) and a master/slave type communications function (multi-processor mode: both master and slave modes supported). It also has transmit /received FIFO installed.

■ Functions of UART (Asynchronous Serial Interface)

		Function
1	Data	<ul style="list-style-type: none"> · Full duplex double buffer (when FIFO is not used) · Transmit /received FIFO (size: max 128 bytes each) *1 (when FIFO is used)
2	Serial input	Run oversampling three times with the bus clock and determine the value of received data based on the majority sampling value.
3	Transfer system	Asynchronous
4	Baud rate	<ul style="list-style-type: none"> · A dedicated baud rate generator (constructed with a 15-bit reload counter) · The external clock input can be adjusted with the reload counter.
5	Data length	· 5 to 9 bits (in normal mode)/7 bits or 8 bits (in multiprocessor mode)
6	Signaling system	NRZ (Non Return to Zero), inverted NRZ
7	Start bit detection	<ul style="list-style-type: none"> · In synch with the falling edge of the start bit (in the NRZ system) · In synch with the rising edge of the start bit (in the inverted NRZ system)
8	Received error detection	<ul style="list-style-type: none"> · Framing error · Overrun error · Parity error *2
9	Hardware flow control	CTS/RTS-based automatic transmit /received control
10	Interrupt request	<ul style="list-style-type: none"> · Received interrupt (upon reception completed, framing error, overrun error or parity error *2) · Transmit interrupts (transmit data empty, transmit bus idle) · Transmit FIFO interrupt (when transmit FIFO is empty) · DMA(Transmit /Received) transferring support function is available.
11	Master/slave communications functions (in multiprocessor mode)	One (master)-to-n (slaves) communication is enabled. (Both master and slave systems are supported.)
12	FIFO options	<ul style="list-style-type: none"> · Transmit /received FIFO installed (maximum capacity: 128 bytes for transmit FIFO, 128 bytes for received FIFO) *1 · Transmit FIFO or received FIFO can be selected. · Transmit data can be resent. · Received FIFO interrupt timing can be changed via software. · FIFO resetting is supported independently.

*1: The FIFO capacity size varies depending on the product type.

*2: Parity errors are only generated in normal mode.

2. UART Interrupt

UART generates transmit or received interrupts. These interrupt requests can be generated if:

- Received data is set in the Received Data Register (RDR) or a data received error occurs.
- Transmit data is transferred from the Transmit Data Register (TDR) to the transmit shift register and the data transmission is started.
- The transmit bus is idle (No data transmission occurs).
- Transmit FIFO data is requested.

■ UART Interrupt

Table 2-1 shows the relationships between the UART interrupt control bits and the interrupt factors.

Table 2-1 UART interrupt control bits and interrupt factors

Interrupt type	Interrupt request flag bit	Flag register	Operation mode		Interrupt factor	Interrupt factor enable bit	Operation to clear interrupt request flag
			0	1			
Received	RDRF	SSR	○	○	A single-byte received	SCR:RIE	Reading from the received data register (RDR)
					Received of a data volume matching the value set for FBYTE.		Reading from the Received Data Register (RDR) until received FIFO is emptied
					While the FRIIE bit is "1" and the received FIFO contains valid data, a received idle state continues for 8 bits or longer period.		
	ORE	○	○	Overrun error	Setting the received error flag clear bit (SSR:REC) to "1"		
	FRE	○	○	Framing error			
PE	○	x	Parity error				
Transmit	TDRE	SSR	○	○	The Transmit Data Register is empty	SCR:TIE	Writing to the Transmit Data Register (TDR) or setting the transmit FIFO operation enable bit to "1" when the transmit FIFO operation enable bit is set to "0" and valid data are present in transmit FIFO (re-transmitting data) *1
	TBI	SSR	○	○	No data transmission	SCR:TBIE	Writing to the Transmit Data Register (TDR) or setting the transmit FIFO operation enable bit to "1" when the transmit FIFO operation enable bit is set to "0" and valid data are present in transmit FIFO (re-transmitting data) *1
	FDRQ	FCR1	○	○	Transmit FIFO is empty.	FCR1:FTIE	The FIFO transmit data request bit (FCR1:FDRQ) is set to "0" or transmit FIFO is full.

*1: Set the TIE bit to "1" only after the TDRE bit has been set to "0".

2.1. Received interrupt and flag set timing

Data reception can be interrupted by a Received Completion (SSR:RDRF=1) or a Received Error Occurrence (SSR:PE, ORE, FRE=1).

■ Received interrupt and flag set timing

Upon detection of the first stop bit, received data are stored in the Received Data Register (RDR). When the data received is completed (SSR:RDRF=1) or when a data received error occurs (SSR:PE, ORE, FRE=1), each flag is set. If received interrupts are enabled (SSR:RIE=1) then, a received interrupt occurs.

<Note>

If a received error occurs, data in the Received Data Register (RDR) becomes invalid.

Figure 2-1 RDRF (Received Data Register Full) flag bit set timing

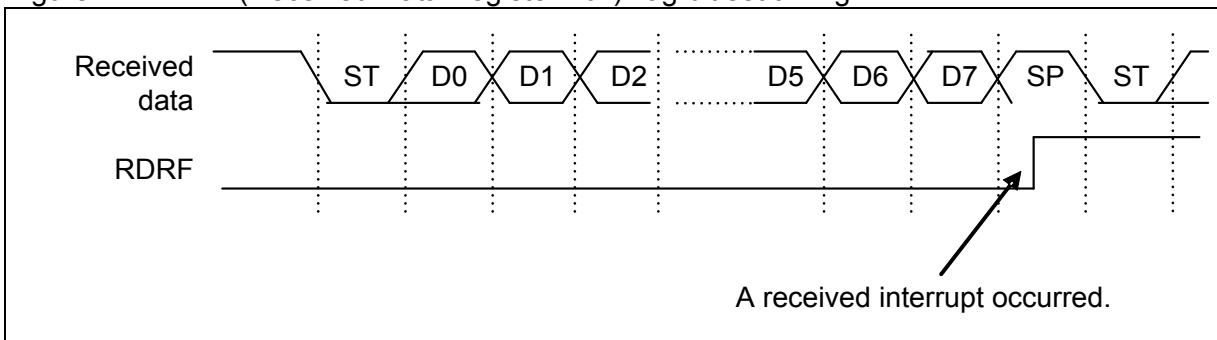
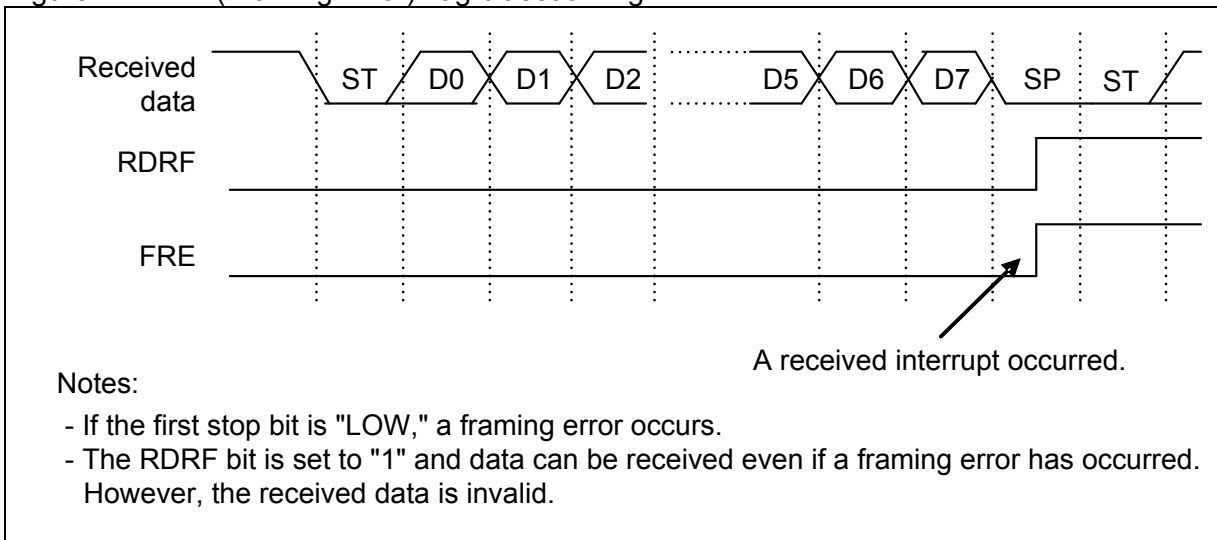


Figure 2-2 FRE (Framing Error) flag bit set timing

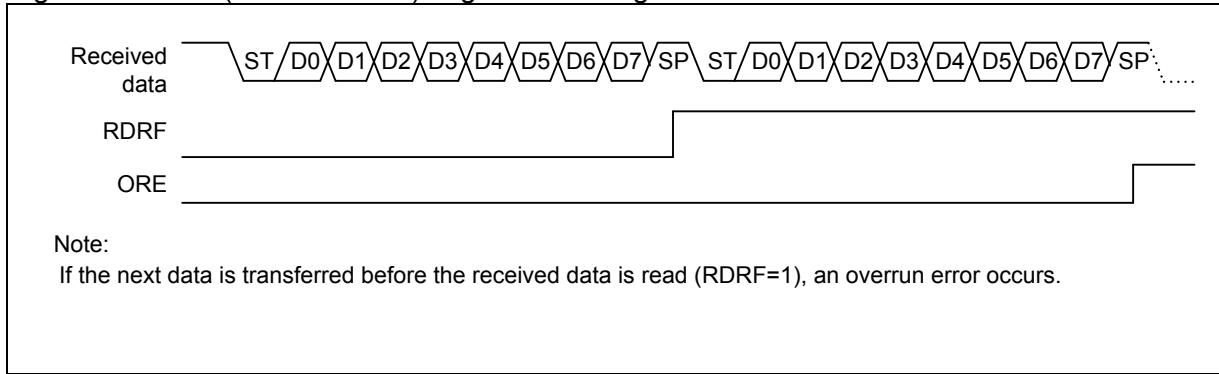


<Note>

During reception, if the following is detected at the same time as the stop bit sampling point or before the 1 to 2 bus clocks, the relevant edge becomes invalid, which may disable normal received of the next data. To output frames continuously, adequate intervals are required between frames.

- The falling edge of serial data (When ESCR:INV=0)
- The rising edge of serial data (When ESCR:INV=1)

Figure 2-3 ORE (Overrun Error) flag bit set timing



2.2. Interrupt and flag set timing when received FIFO is used

If the received FIFO is used, an interrupt occurs when the FBYTE data (preset for the FBYTE register) is received.

■ Interrupt and flag set timing when received FIFO is used

If the received FIFO is used, an interrupt occurs depending on the value set for the FBYTE register.

- When full FBYTE data is received, the received data full flag (SSR:RDRF) of the Serial Status register is set to "1". If received interrupts are enabled (SCR:RIE) during this time, a received interrupt occurs.
- If the following two conditions are satisfied and if the received idle state continues for more than 8 baud rate clocks, the receive data full flag (SSR:RDRF) is set to "1".
 - The received FIFO idle detection enable bit (FCR:FRIIE) is "1".
 - The number of data sets stored in the received FIFO does not reach the transfer count.
 If the RDR data is read during counting of 8 clocks, this counter is reset to "0", and counting for 8 clocks is restarted. If received FIFO is disabled, this counter is reset to zero (0). If data remains in the received FIFO and if received FIFO is enabled, the data counting is restarted.
- When data is read from the Received Data Register (RDR) until received FIFO is emptied, the received data full flag (SSR:RDRF) is cleared.
- If the valid received data amount is the same as the FIFO capacity and if the next data is received, an overrun error (SSR:ORE=1) occurs.

Figure 2-4 Received interrupt timing when Received FIFO is used

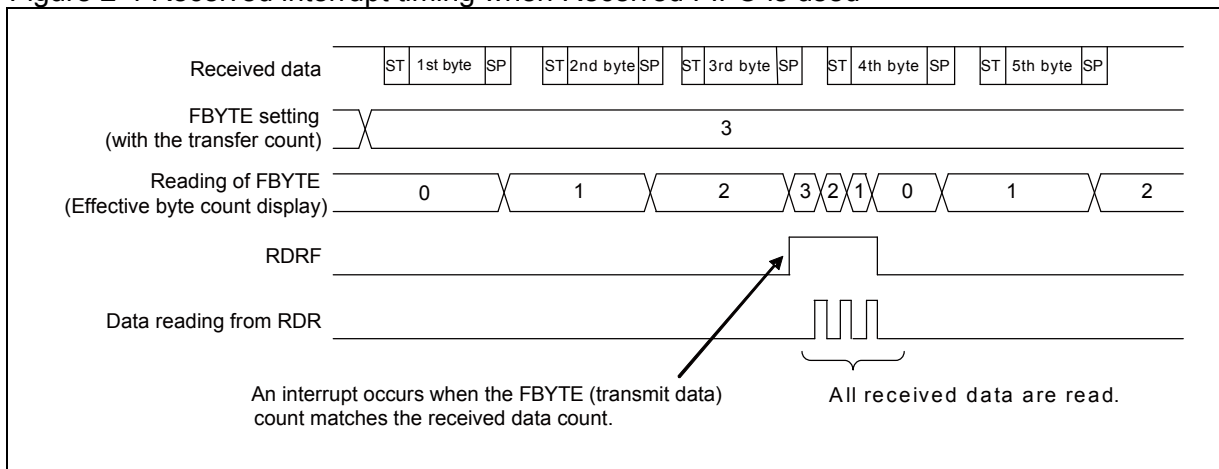
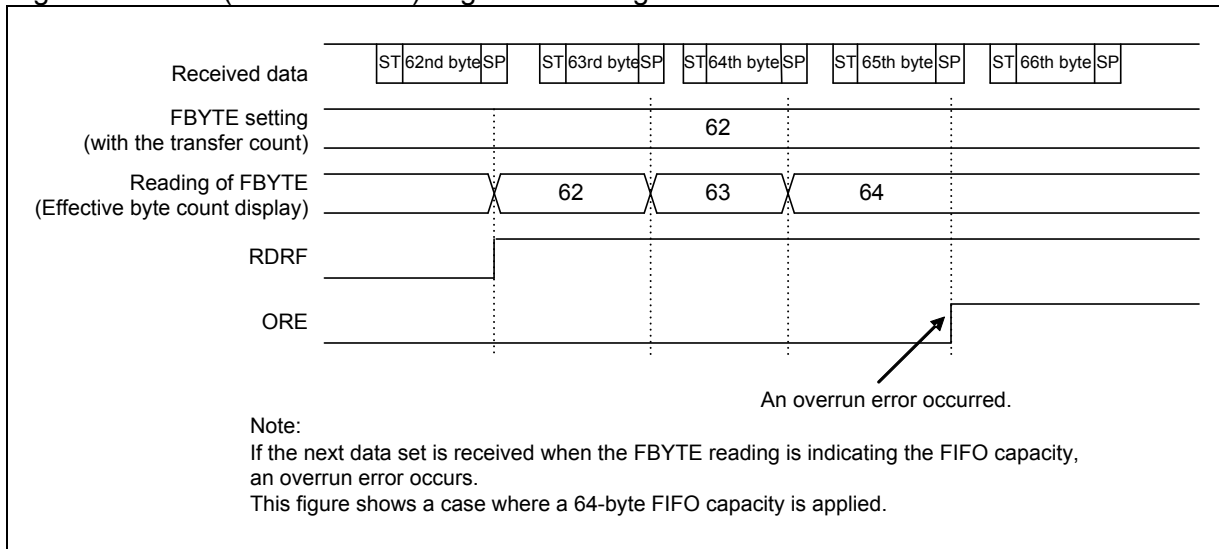


Figure 2-5 ORE (Overrun Error) flag bit set timing



2.3. Transmit interrupt and flag set timing

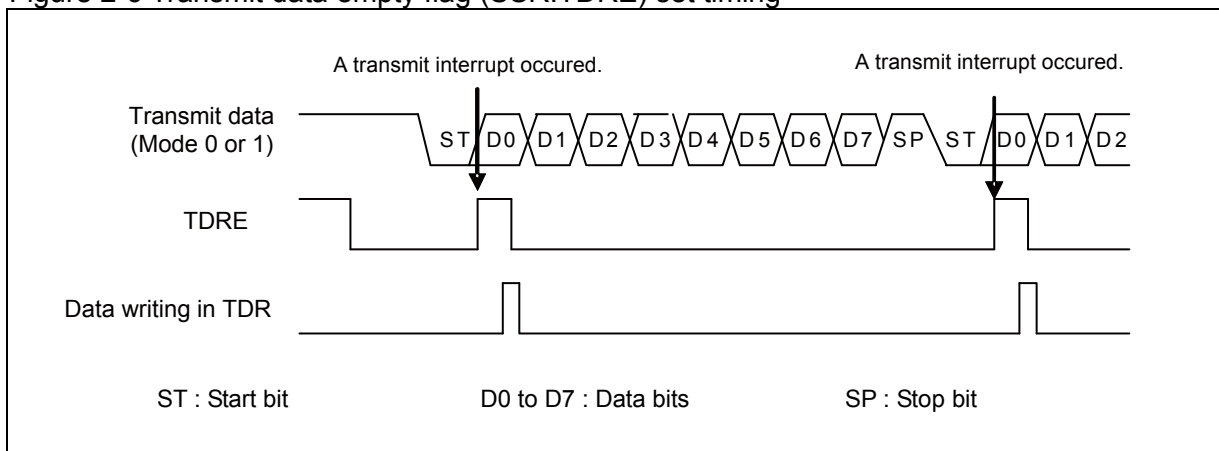
A transmit interrupt occurs when transmit data is transferred from the Transmit Data Register (TDR) to the transmit shift register (SSR:TDRE = 1) and transmission starts and when no transmission is performed (SSR:TBI = 1).

■ Transmit interrupt and flag set timing

● Transmit data empty flag (SSR:TDRE) set timing

After data has been transferred from the Transmit Data Register (TDR) to the transmit shift register, the next data can be written in the TDR (SSR:TDRE = 1). If transmit interrupts are enabled (SCR:TIE = 1) during this time, a transmit interrupt occurs. As the SSR:TDRE bit is read only, the SSR:TDRE bit is cleared to "0" when data is written to the Transmit Data Register (TDR).

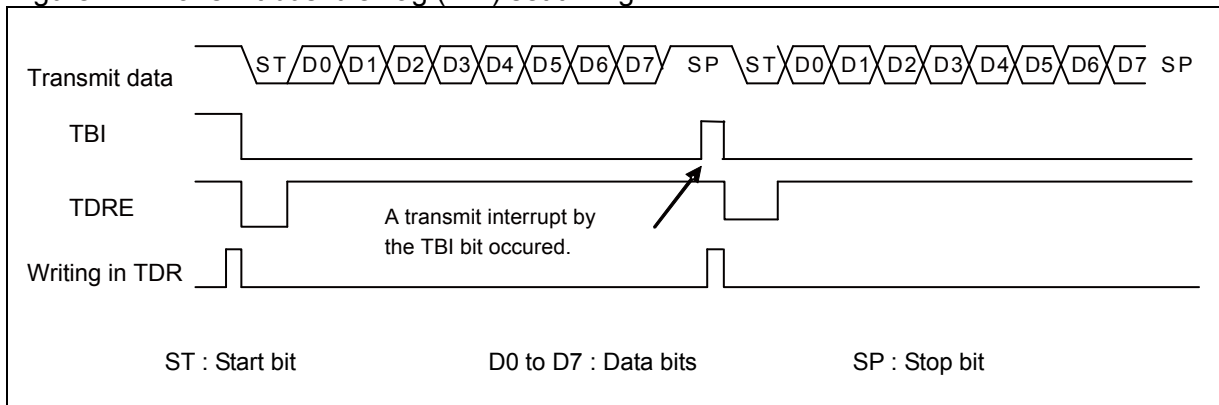
Figure 2-6 Transmit data empty flag (SSR:TDRE) set timing



● Transmit bus idle flag (SSR:TBI) set timing

If the Transmit Data Register is empty (SSR:TDRE=1) and no data is transmitted, the SSR:TBI bit is set to "1". If transmit bus idle interrupts are enabled (SCR:TBIE = 1) during this time, a transmit interrupt occurs. When transmit data is written to the Transmit Data Register (TDR), both the SSR:TBI bit and the transmit interrupt request are cleared.

Figure 2-7 Transmit bus idle flag (TBI) set timing



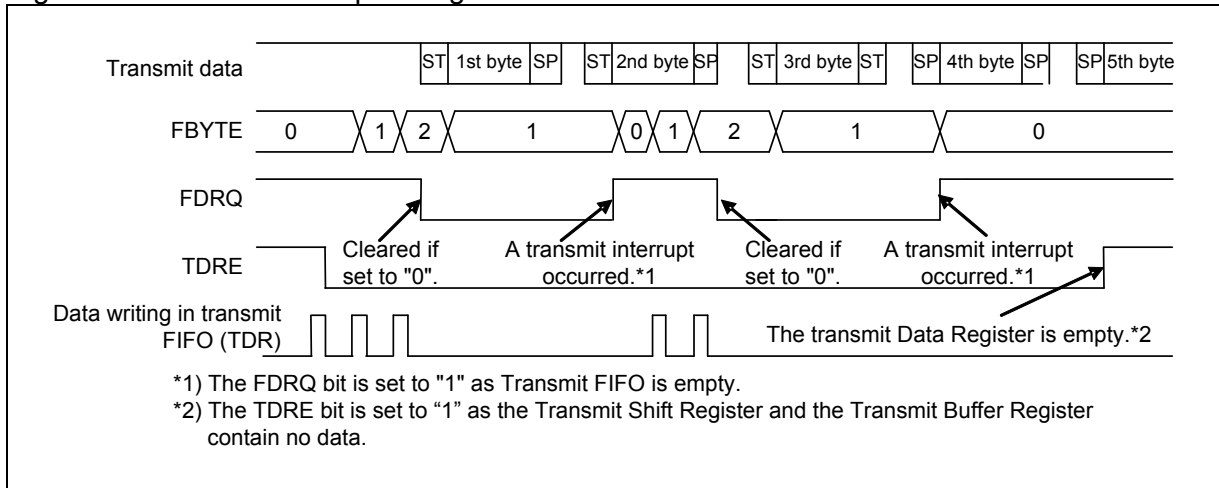
2.4. Interrupt and flag set timing when transmit FIFO is used

When the transmit FIFO is used, an interrupt occurs if the FIFO contains no data.

■ Transmit interrupt and flag set timing when transmit FIFO is used

- If the Transmit FIFO contains no data, the FIFO transmit data request bit (FCR1:FDRQ) is set to "1". If FIFO transmit interrupts are enabled (FCR1:FTIE=1), a transmit interrupt occurs.
- If a transmit interrupt has occurred and you have written the required data in transmit FIFO, clear the interrupt request by setting the FIFO transmit data request bit (FCR1:FDRQ) to "0".
- The FIFO transmit data request bit (FCR1:FDRQ) is set to "0" when transmit FIFO becomes full.
- To check to see if transmit FIFO contains any data, read from the FIFO Byte Register (FBYTE). If FBYTE=0x00, no data exists in the transmit FIFO.

Figure 2-8 Transmit interrupt timing when transmit FIFO is used



3. UART Operation

UART operates in bi-directional serial asynchronous communications in mode 0 and master/slave multiprocessor communications in mode 1.

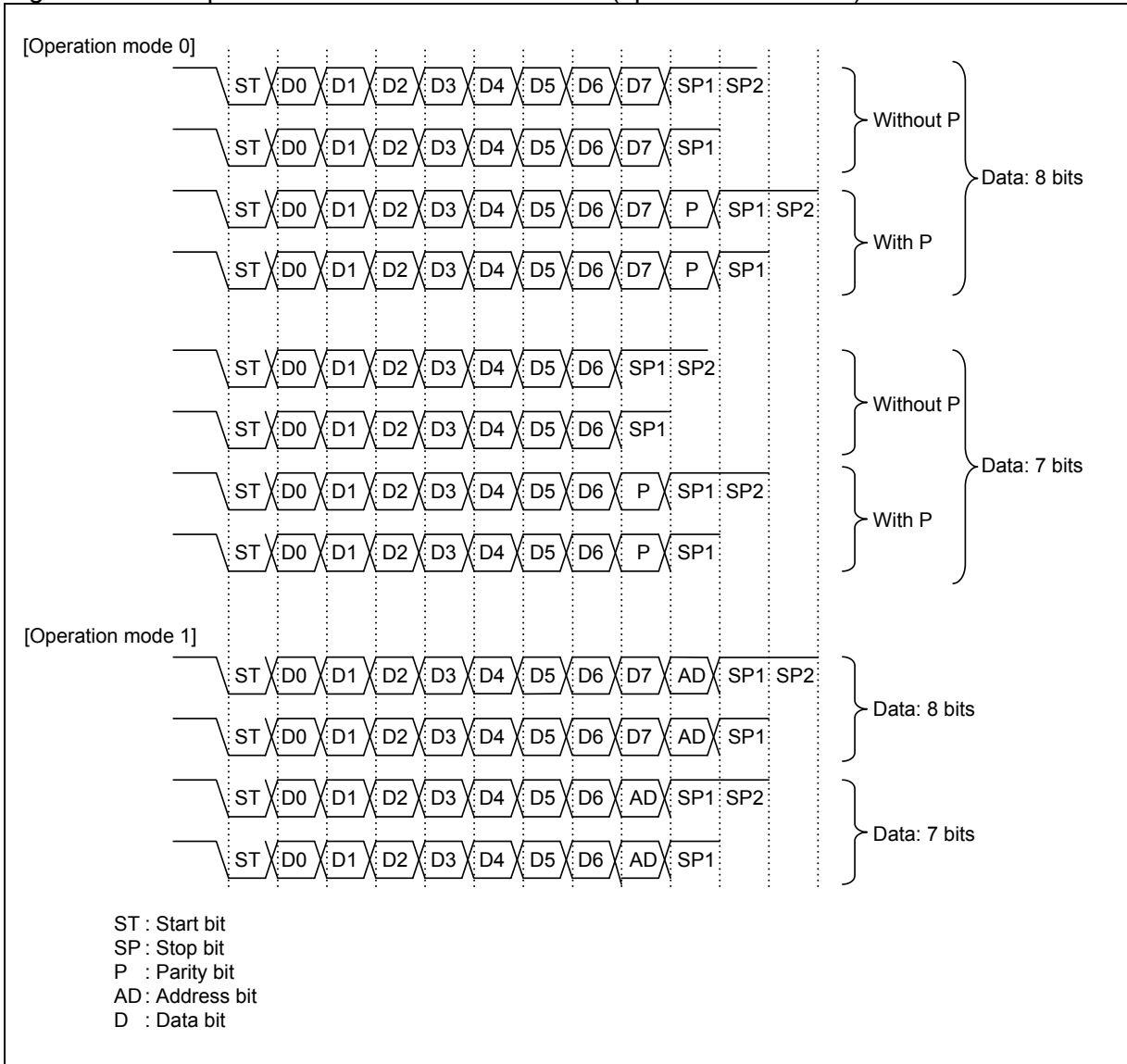
■ UART operation

● Transmit/received data format

- Transmit/received data always starts with a start bit, followed by transmit/received of data with the specified data bit length, and ends with at least one-bit long stop bit.
- The BDS bit of the Serial Mode Register (SMR) determines the data transmission direction (LSB first or MSB first). If parity is used, the parity bit is always placed between the last data bit and the first stop bit.
- In operation mode 0 (normal mode), selection is possible to use or not to use parity.
- In operation mode 1 (multiprocessor mode), no parity is added, and instead, the AD bit is added.

Figure 3-1 shows the transmit/received data formats for operation mode 0 and 1.

Figure 3-1 Example transmit/received data format (operation mode 0/1)



<Notes>

- The above figure shows formats when the data length is set to 7 or 8 bits. (In operation mode 0, the data length can be set between 5 and 9 bits.)
- If the BDS bit of the Serial Mode Register (SMR) is set to "1" (MSB first), the bits are processed from D7, and then D6, D5, ... D1, and D0 (P), in that order.
- If the data length is set to X bits, the lower X bit of the Transmit/Received Data Register (TDR/RDR) is enabled.

● **Data transmission**

- If the transmit data empty flag bit (TDRE) of the Serial Status Register (SSR) is "1", the transmit data can be written in the Transmit Data Register (TDR). (When transmit FIFO is enabled, transmit data can be written even if TDRE=0.)
- If transmit data is written in the Transmit Data Register (TDR), the transmit data empty flag bit (SSR:TDRE) is set to "0".
- Setting the transmission enable bit of the serial control register (SCR:TXE) to "1" causes transmit data to be loaded to the transmit shift register, followed by sequential transmission starting with the start bit.
- When transmission starts, the transmit data empty flag bit (SSR:TDRE) is set to "1" again. If transmit interrupts are then enabled (SCR:TIE=1), a transmit interrupt is generated. In the interrupt processing, the next transmit data set can be written in the Transmit Data Register,

<Notes>

- As the transmit data empty flag bit (SSR:TDRE) is initially set to "1", a transmit interrupt occurs as soon as transmit interrupts are enabled (SCR:TIE).
 - As the FIFO transmit data request bit (FCR1:FDRQ) is initially set to "1", a transmit interrupt occurs as soon as FIFO transmit interrupts are enabled (FCR1:FTIE=1).
-

● Data reception

- When reception is enabled (SCR:RXE=1), the interface performs reception.
- Upon detection of the start bit, one-frame data reception takes place according to the data format set in the extended communications control register (ESCR:PEN, P, L2, L1, L0) and serial mode register (SMR:BDS). A start bit is detected when falling (ESCR:INV=0) is detected after passing the noise filter (with the majority value applied after sampling serial data input three times with the bus clock) or if rising (ESCR:INV=1) is detected and "LOW" is detected for the data passing the sampling point.
- When one-frame reception is completed, the received data full flag bit (SSR:RDRF) is set to "1". If received interrupts are then enabled (SCR:RIE=1), a received interrupt is generated.
- To read received data, perform reading of the received data after one-frame data received is completed and check the state of the error flag of the Serial Status Register (SSR). Handle the received error if it is occurring.
- Reading of the received data causes the received data full flag bit (SSR:RDRF) to be cleared to "0".
- If received FIFO is enabled, the received data full flag bit (SSR:RDRF) is set to "1" when the number of received frames has reached the value set for received FBYTE.
- If the following two conditions are satisfied and if the received idle state continues for more than 8 baud rate clocks, the interrupt flag (RDRF) is set to "1".
 - The received FIFO idle detection enable bit (FRIIE) is "1".
 - The number of data sets stored in the received FIFO does not reach the transfer count.If the RDR data is read during counting of 8 clocks, this counter is reset to "0", and counting for 8 clocks is restarted. If received FIFO is disabled, this counter is reset to zero (0). If data remains in the received FIFO and if received FIFO is enabled, the data counting is restarted.
- If received FIFO is enabled, received FIFO does not store data in which an error has occurred when the error flag of the Serial Status Register (SSR) is set to "1". Also note that the received data full flag bit (SSR:RDRF) is not set to "1". (However, the RDRF flag is set to "1" in an overrun error.) What the received FBYTE indicates is the number of data sets received normally before the error occurred. Unless the error flag of the Serial Status Register (SSR) is cleared to "0", received FIFO is not enabled.
- If received FIFO is enabled, the received data full flag bit (SSR:RDRF) is cleared to "0" when all data in received FIFO is out.

<Notes>

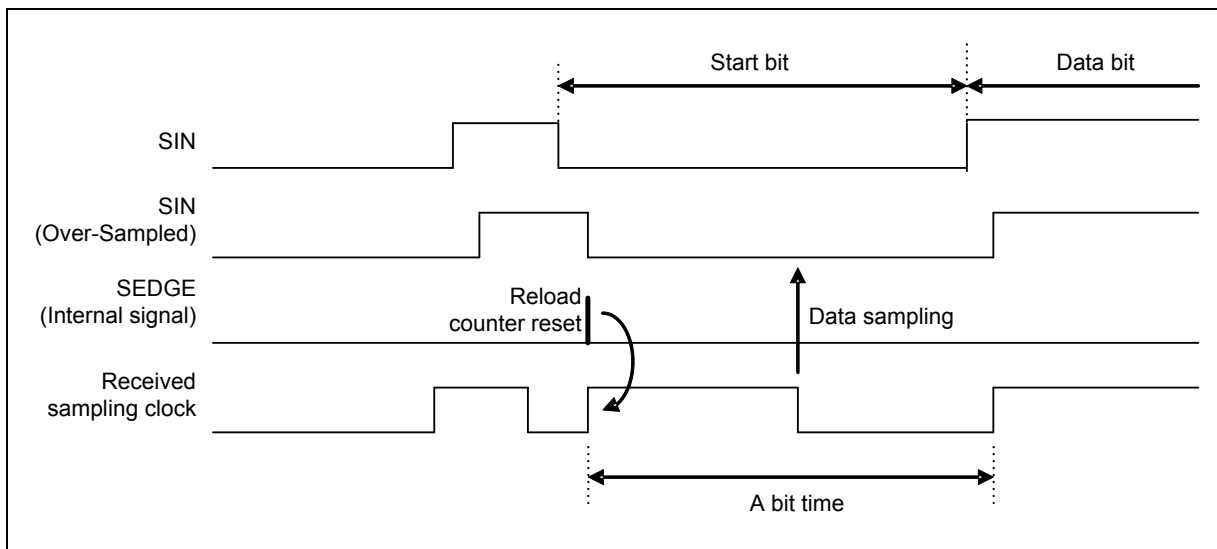
- Data in the Received Data Register (RDR) becomes valid when the received data register full flag bit (SSR:RDRF) is set to "1" and no received error occurs (SSR:PE, ORE, FRE=0).
 - Although a noise filter is built in (with the majority value applied after sampling serial data input three times with the bus clock), wrong data may be received if any noise passes through the filter. As a countermeasure, you can design the board so as not to allow noise to pass through this filter or perform communications so that noise that has passed may not cause any problem (by adding check sum of data at the end and resending the data if any error occurs, for example).
 - During reception, if the following is detected at the same time as the stop bit sampling point or before the 1 to 2 bus clocks, the relevant edge becomes invalid, which may disable normal reception of the next data. To output frames continuously, adequate intervals are required between frames.
 - The falling edge of serial data (When ESCR:INV=0)
 - The rising edge of serial data (When ESCR:INV=1)
-

● **Clock selection**

- You can use either an internal or external clock.
- To use the external clock, set SMR:EXT to "1". IN this case, the external clock is subject to frequency division by the baud rate generator.

● **Start bit detection**

- In asynchronous mode, the start bit is recognized based on detection of the falling edge of the SIN signal. For that reason, reception is not started unless the falling edge of the SIN signal is input even if reception is enabled (SCR:RXE=1).
- Upon detection of the start bit's falling edge, the received reload counter of the baud rate generator is reset and reloaded to start countdown. Thus, sampling always takes place in the middle of data.



● **Stop bit**

- You can select the bit length to be between one and four.
- The received data full flag bit (SSR:RDRF) is set to "1" upon detection of the first stop bit.

● **Error detection**

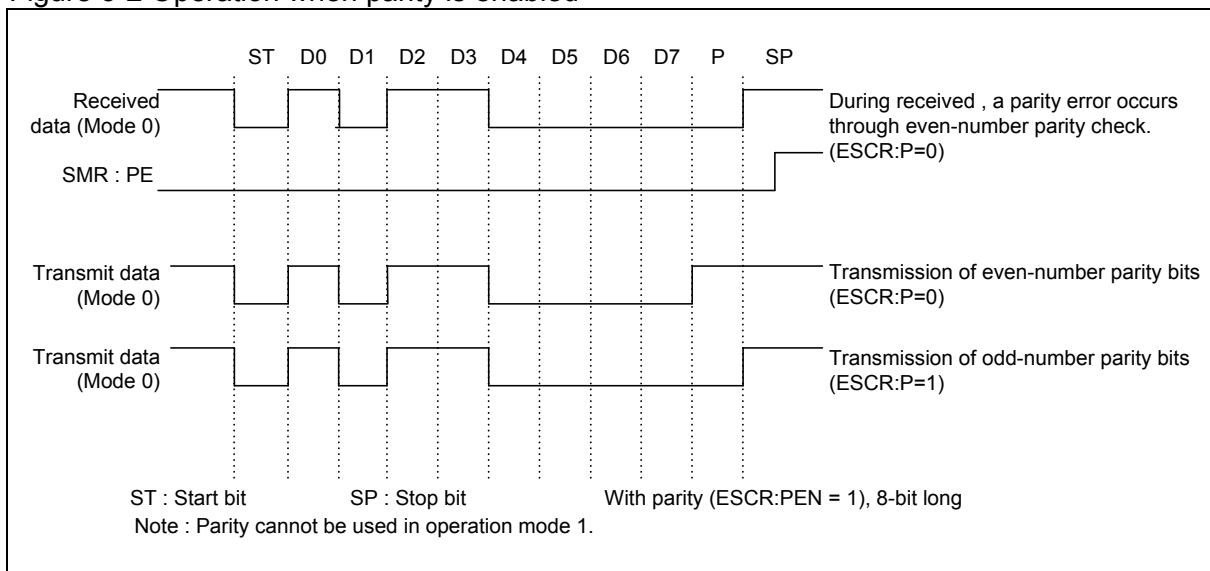
- In operation mode 0, parity, overrun and framing errors can be detected.
- In operation mode 1, overrun and framing errors can be detected but parity errors cannot be detected.

● **Parity bit**

- The parity bit can only be added in operation mode 0. The parity enable bit (ESCR:PEN) can be used to specify use or non-use of parity and the parity selection bit (ESCR:P) to set even-number parity or odd-number parity.
- Parity cannot be used in operation mode 1.

Figure 3-2 shows transmit/received data when parity is enabled.

Figure 3-2 Operation when parity is enabled

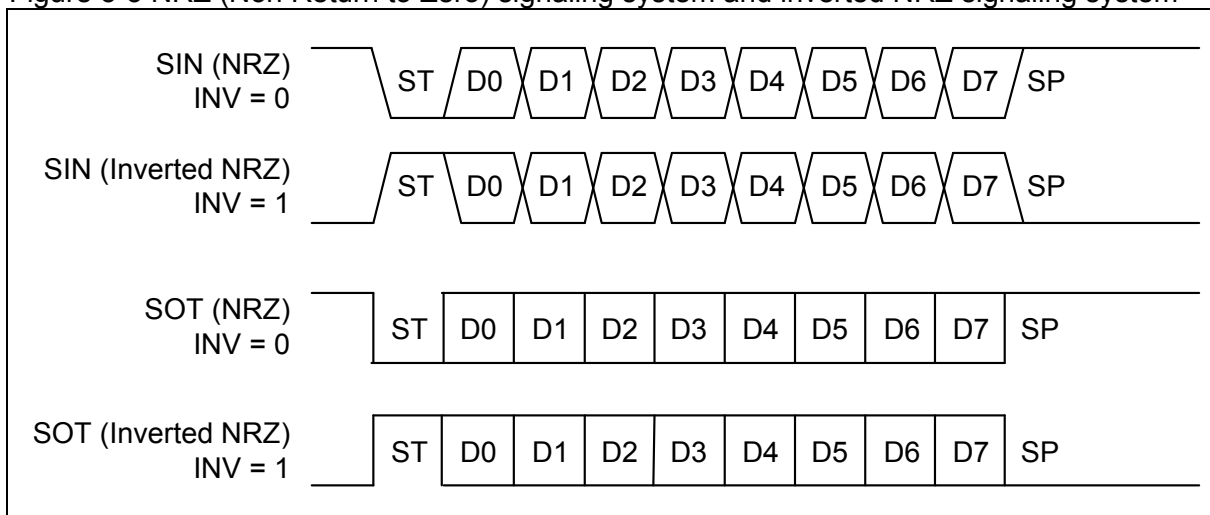


● **Data signaling system**

By setting up the INV bit of the extended communications control register, you can select either the NRZ (Non Return to Zero) signaling system ($ESCR:INV=0$) or inverted NRZ signaling system ($ESCR:INV=1$).

Figure 3-3 shows the NRZ and inverted NRZ signaling systems.

Figure 3-3 NRZ (Non Return to Zero) signaling system and inverted NRZ signaling system



● **Data transfer system**

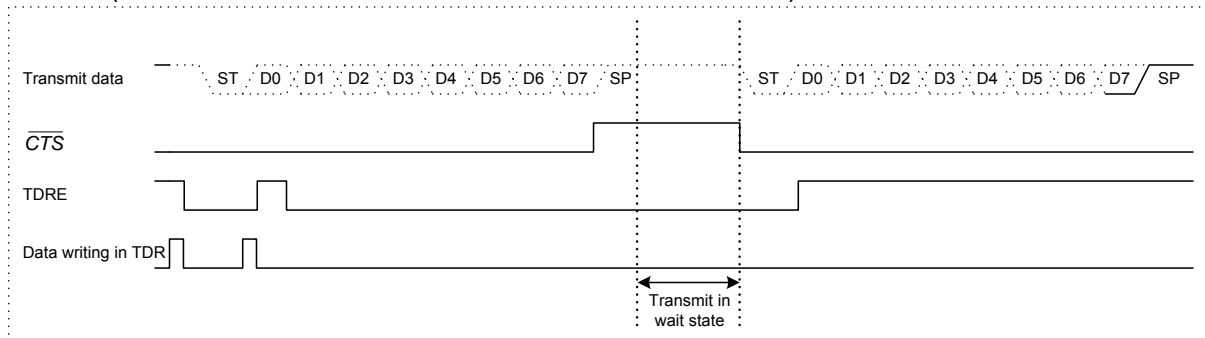
As for the data bit transfer method, either LSB first or MSB first can be selected.

● **Hardware flow control**

When flow control is enabled (ESCR:FLWEN=1), UART performs hardware flow control.

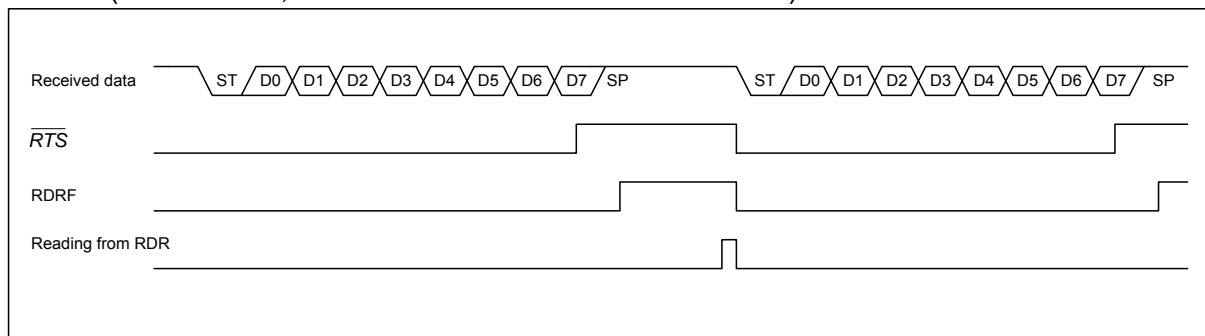
- During data transmission
 - If \overline{CTS} is "HIGH" after data is transmitted, the next data is not transmitted even if the transmit buffer contains data (TDRE=0) and the process waits until \overline{CTS} is set to "LOW". To have transmission wait, input "HIGH" in \overline{CTS} before the stop bit transmission is completed. Transmission continues up to the stop bit even if "HIGH" is input in \overline{CTS} during transmission.

Figure 3-4 Hardware flow control during data transmission
 (SMR:SBL=0, ESCR:ESBL=INV=PEN=L2=L1=L0=0)



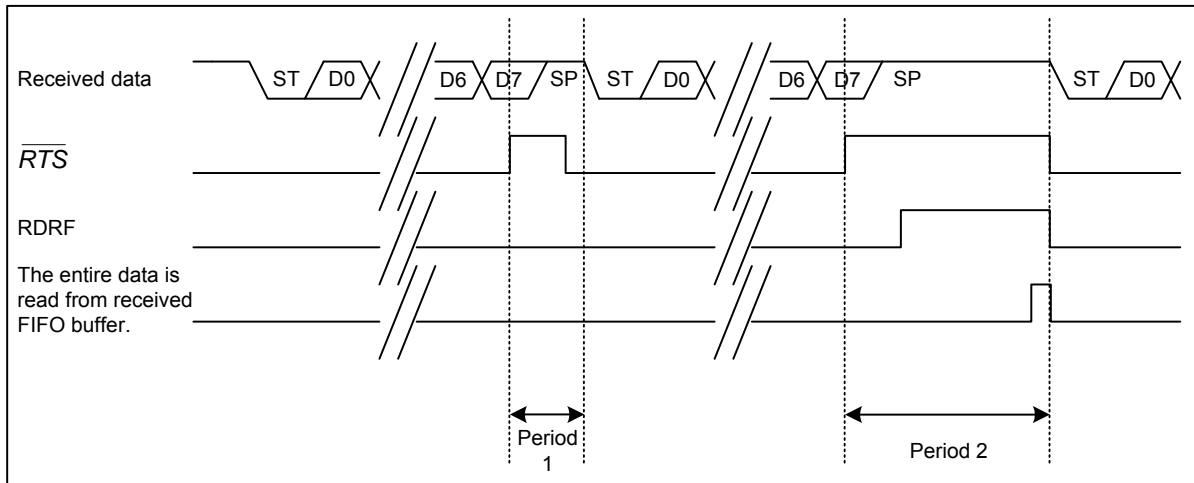
- During data reception
 - If FIFO is not used
 - Upon reception of data one bit before the stop bit, "HIGH" is output to \overline{RTS} . After received data is read, "LOW" is output to \overline{RTS} .

Figure 3-5 Hardware flow control during data reception (with FIFO is unused.)
 (SMR:SBL=0, ESCR:ESBL=INV=PEN=L2=L1=L0=0)



- If FIFO is used
 - If SSR:RDRF is not set (the specified number of data sets are not received in received FIFO), \overline{RTS} outputs "HIGH" upon reception of data one bit before the stop bit, but \overline{RTS} outputs "LOW" upon detection of the stop bit. (For period 1)
 - If SSR:RDRF is set (the specified number of data sets are received in received FIFO), \overline{RTS} outputs "HIGH" upon reception of data one bit before the stop bit. \overline{RTS} outputs "LOW" after all data is read from received FIFO. (For period 2)

Figure 3-6 Hardware flow control during data reception (with FIFO used)
(SMR:SBL=0, ESCR:ESBL=INV=PEN=L2=L1=L0=0)



<Notes>

- When reception operation is disabled (RXE=0), the \overline{RTS} signal is fixed to "LOW".
- If the following two conditions are satisfied when received FIFO is used and if the received idle state continues for more than 8 baud rate clocks, RDRF is set to "1" but "LOW" is maintained for the \overline{RTS} signal.
 - The received FIFO idle detection enable bit (FCR1:FRIIE) is "1".
 - The preset data amount is not received and some data remains in received FIFO.
- Performing programmable resetting (SCR:UPCL=1) clears the \overline{RTS} signal to "LOW".

4. Dedicated Baud Rate Generator

As for the UART transmit/received clock source, either of the following can be selected.

- Dedicated baud rate generator (reload counter)
 - An external clock input to the baud rate generator (reload counter)
-

■ Selecting the UART baud rate

Select one of the following two baud rates.

● Baud rate obtained by dividing an internal clock using the dedicated baud rate generator (reload counter)

This generator provides two internal reload counters, which support transmitting and receiving serial clocks respectively. To select the baud rate, specify the 15-bit reload value using Baud Rate Generator Registers 1 and 0 (BGR1 and BGR0).

Each reload counter divides an internal clock by the set value.

To set the clock source, select an internal clock (BGR1:EXT=0).

● Baud rate obtained by dividing an external clock using the dedicated baud rate generator (reload counter)

Use an external clock for the clock source of the reload counter.

To select the baud rate, specify the 15-bit reload value using Baud Rate Generator Registers 1 and 0 (BGR1 and BGR0).

Each reload counter divides an external clock by the set value.

To set the clock source, select use of an external clock and the baud rate generator clock (BGR1:EXT=1).

This mode is designed for cases where an oscillator with a divided non-standard frequency is used.

<Notes>

- Set the external clock (BGR1:EXT=1) while the reload counter is suspended (BGR1/0=15' h00).
 - If an external clock is selected (BGR1:EXT=1), its HIGH and LOW signals must have a width at least of two bus clocks.
-

4.1. Baud rate settings

The following explains how to set the baud rate, and also a result of serial clock frequency calculation.

■ Calculating the baud rate

Two 15-bit reload counters are set using the Baud Rate Generator Registers 1 and 0 (BGR1 and BGR0). The baud rate is obtained in the following formulas.

(1) Reload value

$$V = \phi / b - 1$$

V : Reload value b : Baud rate ϕ : Bus clock frequency or external clock frequency

(2) Calculation example

To set the 16 MHz bus clock, use the internal clock, and set the 19200 bps baud rate, set the reload value as follows:

Reload value:

$$V = (16 \times 1000000) / 19200 - 1 = 832$$

Therefore, the baud rate is:

$$b = (16 \times 1000000) / (832 + 1) = 19208 \text{ bps}$$

(3) Baud rate error

The baud rate error can be calculated by the following equation.

$$\text{Error (\%)} = (\text{Calculated value} - \text{Target value}) / \text{Target value} \times 100$$

Example: To set the 20 MHz bus clock and 153600 bps target baud rate:

$$\text{Reload value} = (20 \times 1000000) / (129 + 1)$$

$$\text{Baud rate (Calculated value)} = (20 \times 1000000) / (129 + 1) = 153846 \text{ (bps)}$$

$$\text{Error (\%)} = (153846 - 153600) / 153600 \times 100 = 0.16 \text{ (\%)}$$

<Notes>

- If the reload value is set to "0", the reload counter is stopped.
- If the reload value is an even number, in the received serial clock, the width of a "LOW" signal is longer than that of a "HIGH" signal by one bus clock cycle. If the value is odd, the serial clock has the same "HIGH" and "LOW" signal width.
- Set the reload value to 4 or more. Note that data may not be received normally due to the baud rate error and reload value setting.

■ **Reload value and baud rate for each bus clock frequency**

Table 4-1 Reload values and baud rates

Baud rate (bps)	8 MHz		10 MHz		16 MHz		20 MHz		24 MHz		32 MHz	
	Value	ERR	Value	ERR	Value	ERR	Value	ERR	Value	ERR	Value	ERR
4M	-	-	-	-	-	0	4	0	5	0	7	0
2.5M	-	-	-	-	-	-	7	0	-	-	-	-
2M	-	0	4	0	7	0	9	0	11	0	15	0
1M	7	0	9	0	15	0	19	0	23	0	31	0
500000	15	0	19	0	31	0	39	0	47	0	63	0
460800	-	-	-	-	-	-	-	-	51	0.16	-	-
250000	31	0	39	0	63	0	79	0	95	0	127	0
230400	-	-	-	-	-	-	86	-0.22	103	0.16	138	-0.08
153600	51	0.16	64	0.16	103	0.16	129	0.16	155	0.16	207	0.16
125000	63	0	79	0	127	0	159	0	191	0	255	0
115200	-	-	86	-0.22	138	-0.08	173	-0.22	207	0.16	277	-0.08
76800	103	0.16	129	0.16	207	0.16	259	0.16	311	-0.16	416	-0.08
57600	138	-0.08	173	-0.22	277	-0.08	346	0.06	416	-0.08	555	-0.08
38400	207	0.16	259	0.16	416	-0.08	520	-0.03	624	0	832	0.04
28800	277	-0.08	346	<0.01	554	-0.01	693	0.06	832	0.03	1110	0.01
19200	416	-0.08	520	-0.03	832	0.03	1041	-0.03	1249	0	1666	-0.02
10417	767	<0.01	959	<0.01	1535	<0.01	1919	<0.01	2303	<0.01	3071	<0.01
9600	832	0.04	1041	-0.03	1666	-0.02	2083	0.03	2499	0	3332	0.01
7200	1110	<0.01	1388	<0.01	2221	<0.01	2777	<0.01	3332	<0.01	4443	0.01
4800	1666	-0.02	2082	0.02	3332	<0.01	4166	<0.01	4999	0	6666	<0.01
2400	3332	<0.01	4166	<0.01	6666	<0.01	8332	<0.01	9999	0	13332	<-0.01
1200	6666	<0.01	8334	0.02	13332	<0.01	16666	<0.01	19999	0	26666	<0.01
600	13332	<0.01	16666	<0.01	26666	<0.01	-	-	-	-	-	-
300	26666	<0.01	-	-	-	-	-	-	-	-	-	-

Value: BGR1/0 register set value (decimal)

ERR: Baud rate error (%)

Table 4-2 Reload values and baud rates (continued)

Baud rate (bps)	40 MHz		48 MHz		72 MHz		80 MHz	
	Value	ERR	Value	ERR	Value	ERR	Value	ERR
4M	9	0	11	0	17	0	19	0
2.5M	15	0	-	-	-	-	31	0
2M	19	2	23	0	35	0	39	0
1M	39	0	47	0	71	0	79	0
500000	79	0	95	0	143	0	159	0
460800	86	-0.22	103	0.16	155	0.16	173	-0.22
250000	159	0	191	0	287	0	319	0
230400	173	-0.22	207	0.16	312	-0.16	346	0.06
153600	259	0.16	312	-0.16	468	-0.05	520	-0.03
125000	319	0	383	0	575	0	639	0
115200	346	0.06	416	-0.08	624	0	693	0.06
76800	520	-0.03	624	0	937	-0.05	1041	-0.03
57600	693	0.06	832	0.04	1249	0	1388	<0.01
38400	1041	-0.03	1249	0	1874	0	2082	0.01
28800	1388	<0.01	1666	-0.02	2499	0	2777	<0.01
19200	2082	0.01	2499	0	3749	0	4166	-0.01
10417	3839	<0.01	4607	<0.01	6911	<0.01	7679	<0.01
9600	4166	<0.08	4999	0	7499	0	8332	0
7200	5555	<0.01	6666	<0.01	9999	0	11110	0
4800	8332	<0.01	9999	0.02	14999	0	16666	0
2400	16666	<0.01	19999	0	29999	0	-	-
1200	-	-	-	-	-	-	-	-
600	-	-	-	-	-	-	-	-
300	-	-	-	-	-	-	-	-

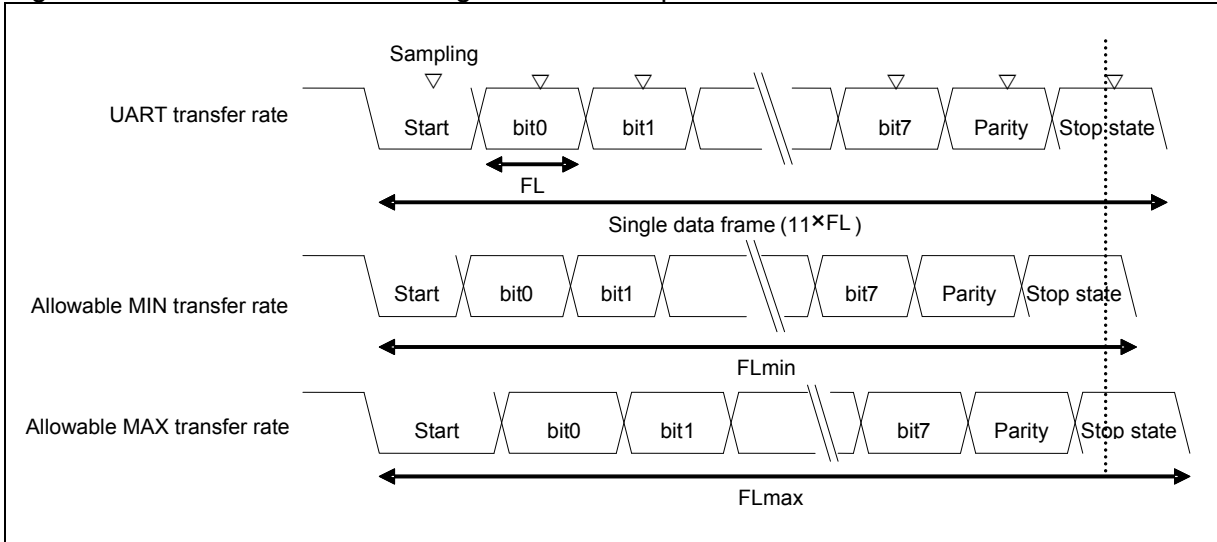
For frequencies not described in Table 4-1 and Table 4-2, calculate them conforming to “4.1 Baud rate settings”. (However, for the maximum frequencies which differ by products, see “Data Sheet” of the product used.

■ Allowable baud rate range for data reception

The following shows the range of baud rate error allowed for the destination to receive data.

Set the received baud rate error by using the following formulas to ensure that the value falls within the allowable range.

Figure 4-1 Allowable baud rate range for data reception



As shown in Figure 4-1, after detection of the start bit, the sampling timing of received data is determined by the counter set in the BGR1/0 register. Data can be received successfully if the bit sequence including the stop bit matches the sampling timing.

If this applies to a reception of 11 bits, a theoretical explanation can be given in the following.

Assuming that the sampling timing margin is one bus clock (ϕ), the minimum allowable transfer rate (FL_{min}) is determined as follows:

$$FL_{min} = (11\text{bits} \times (V+1) - (V+1)/2 + 2)/\phi = (21V + 25)/2 \phi \text{ (s)} \quad V: \text{Reload value, } \phi: \text{Bus clock}$$

Thus, the maximum baud rate that allows the destination to receive data (BG_{max}) is determined as follows.

$$BG_{max} = 11/FL_{min} = 22\phi/(21V+25) \text{ (bps)} \quad V: \text{Reload value, } \phi: \text{Bus clock}$$

When data is received at the maximum allowable transfer rate (FL_{max}), the starting point of the received 11th bit is sampled.

Thus, the maximum allowable transfer rate (FL_{max}) is determined as follows:

$$10/11 \times FL_{max} = (11\text{bits} \times (V+1) - (V+1)/2)/\phi \quad V: \text{Reload value, } \phi: \text{Bus clock}$$

$$FL_{max} = (21/20 \times 11 \times (V+1))/\phi$$

Assuming that the sampling timing margin (ϕ) is two clocks, the maximum allowable transfer rate (FL_{max}) is determined as follows:

$$10/11 \times FL_{max} = (11\text{bits} \times (V+1) - (V+1)/2 - 2)/\phi \quad V: \text{Reload value, } \phi: \text{Bus clock}$$

$$FL_{max} = (21/20 \times 11 \times (V+1) - 44/20)/\phi = (231V + 187)/20 \phi \text{ (s)} \quad V: \text{Reload value, } \phi: \text{Bus clock}$$

Accordingly, the minimum baud rate that allows the destination to receive data (BG_{min}) is determined as follows:

$$BG_{min} = 11/FL_{max} = 220\phi/(231V+187) \text{ (bps)} \quad V: \text{Reload value, } \phi: \text{Bus clock}$$

From the above formulas for obtaining the minimum/maximum baud rate, the allowable error between UART and the destination is obtained as follows.

Reload value (V)	Maximum allowable baud rate error	Minimum allowable baud rate error
3	0%	0
10	+2.98%	-3.08%
50	+4.37%	-4.40%
100	+4.56%	-4.58%
200	+4.66%	-4.67%
32767	+4.76%	-4.76%

<Note>

Reception accuracy depends on the number of bits per frame, bus clock, and reload value. The higher the bus clock and frequency division ratio are, the higher the accuracy becomes.

■ External clock

Writing "1" to the EXT bit of the Baud Rate Generator Register (BGR) causes the baud rate generator to divide the external clock's frequency.

<Note>

The external clock signal synchronizes with the internal clock on UART. Therefore, an external clock that does not allow synchronization causes unstable operation.

■ Functions of reload counter

There are two types of reload counters: The transmission reload counter and the received reload counter, both functioning as a dedicated baud rate generator. Each reload counter consists of a 15-bit register for the reload value, and generates transmitting and receiving clocks from the external or internal clock.

■ Starting counting

When the reload value is written to the Baud Rate Generator Register1, 0 (BGR1 or BGR0), the reload counter starts counting.

■ Restarting

The reload counter restarts counting in the following conditions.

● Common to transmit and received reload counters

A programmable reset (SCR:UPCL bit)

● Received reload counter

Detection of the start bit's falling edge in asynchronous mode

5. Setting Procedure and Program Flow in Operation Mode 0 (Asynchronous Normal Mode)

Operation mode 0 enables asynchronous bi-directional serial communications.

■ CPU-to-CPU connection

Select the bi-directional communication in operation mode 0 (normal mode). Connect two CPUs to each other as shown in Figure 5-1 and Figure 5-2.

Figure 5-1 A connection example of bi-directional communications in UART operation mode 0 (with flow control disabled)

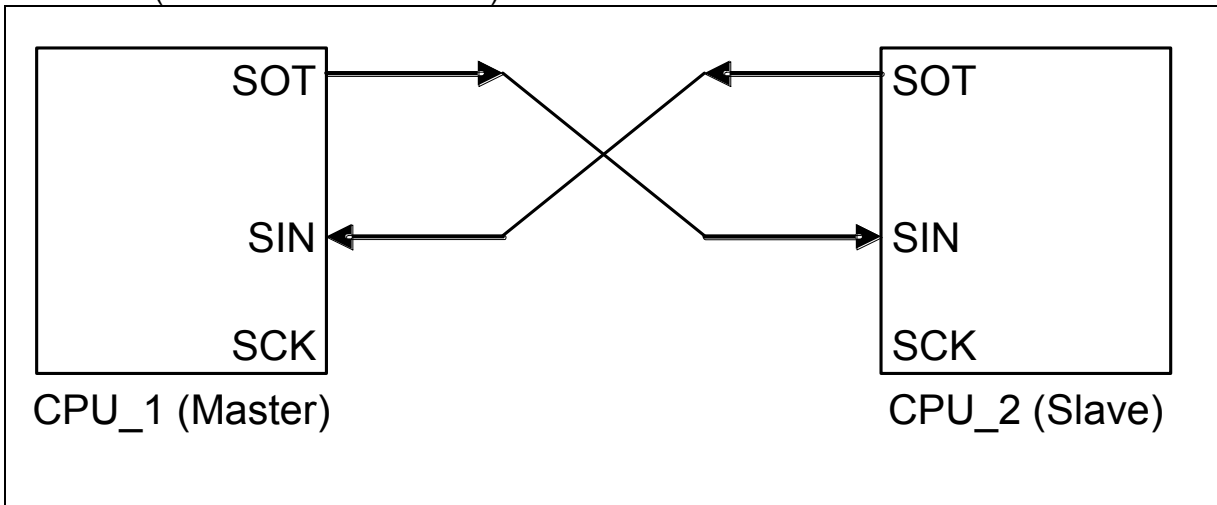
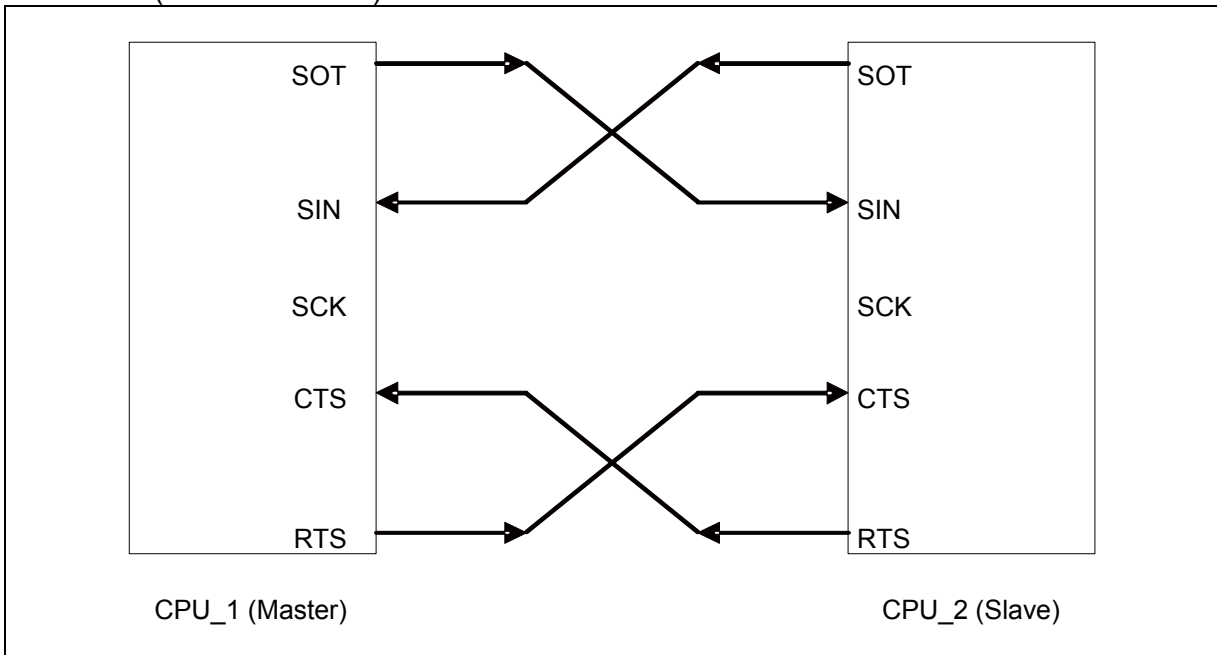


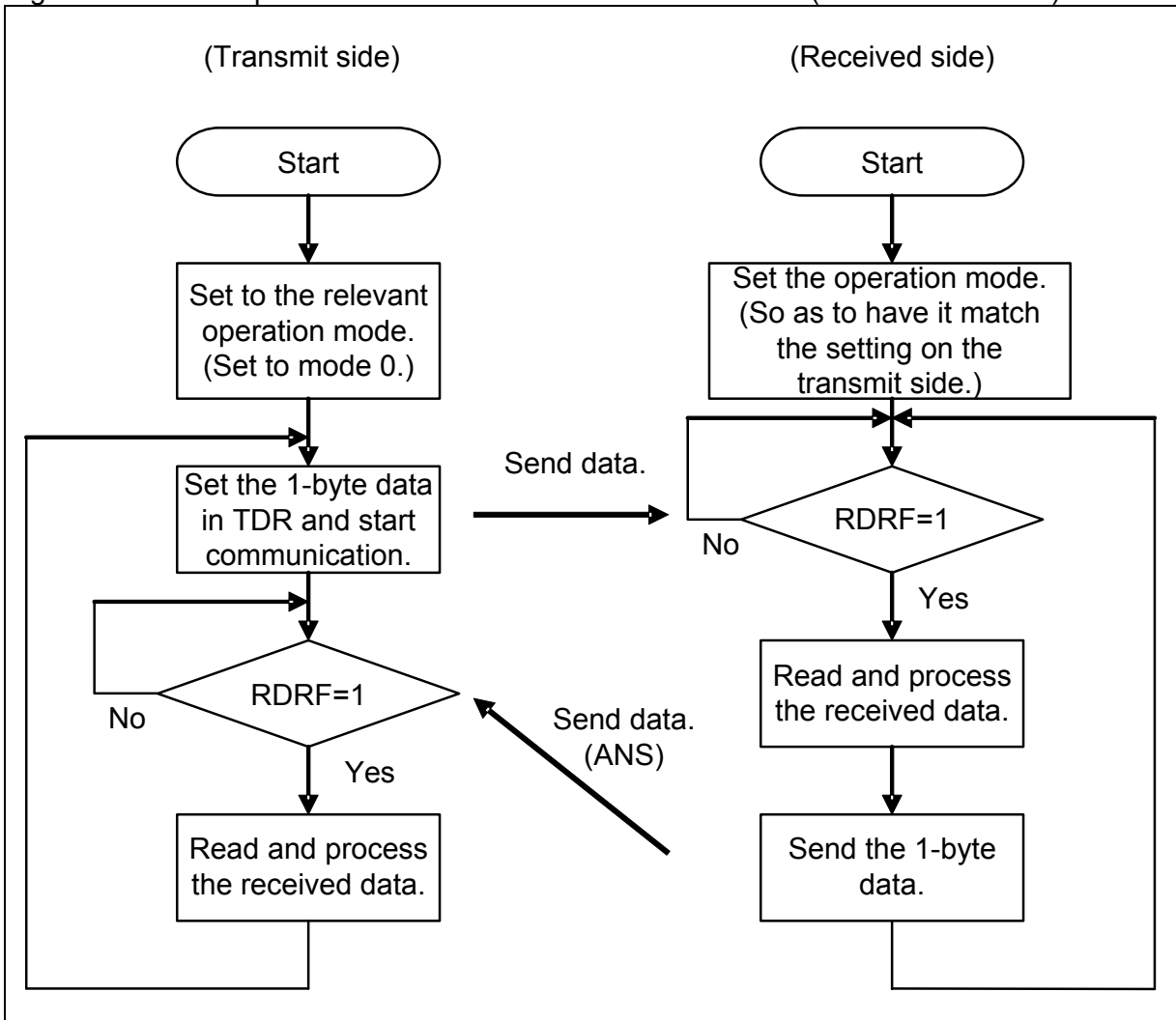
Figure 5-2 A connection example of bi-directional communications in UART operation mode 0 (with flow control)



■ Flowcharts

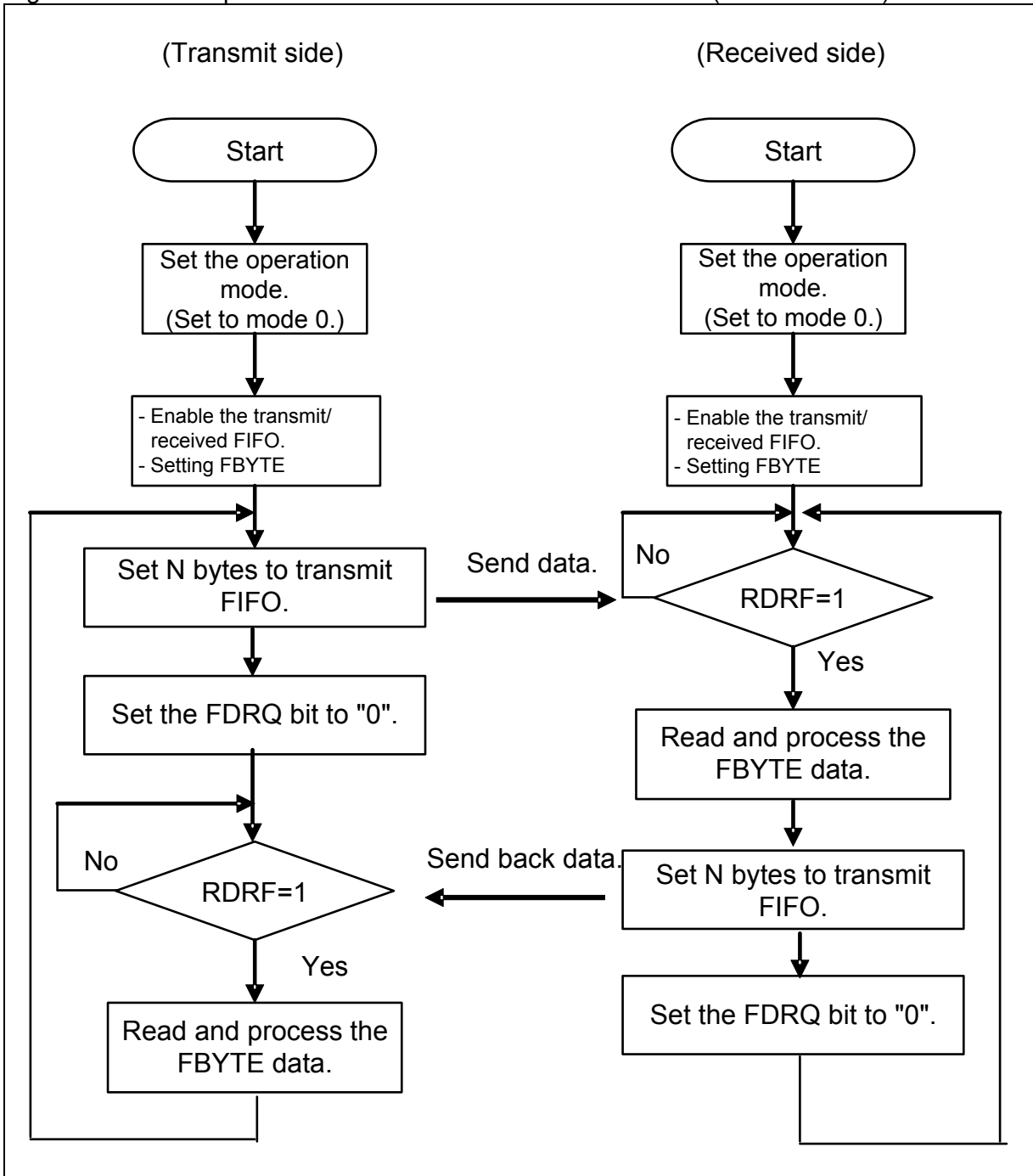
● If FIFO is not used

Figure 5-3 An example of bidirectional communication flowchart (if FIFO is not used)



● If FIFO is used

Figure 5-4 An example of bidirectional communication flowchart (if FIFO is used)



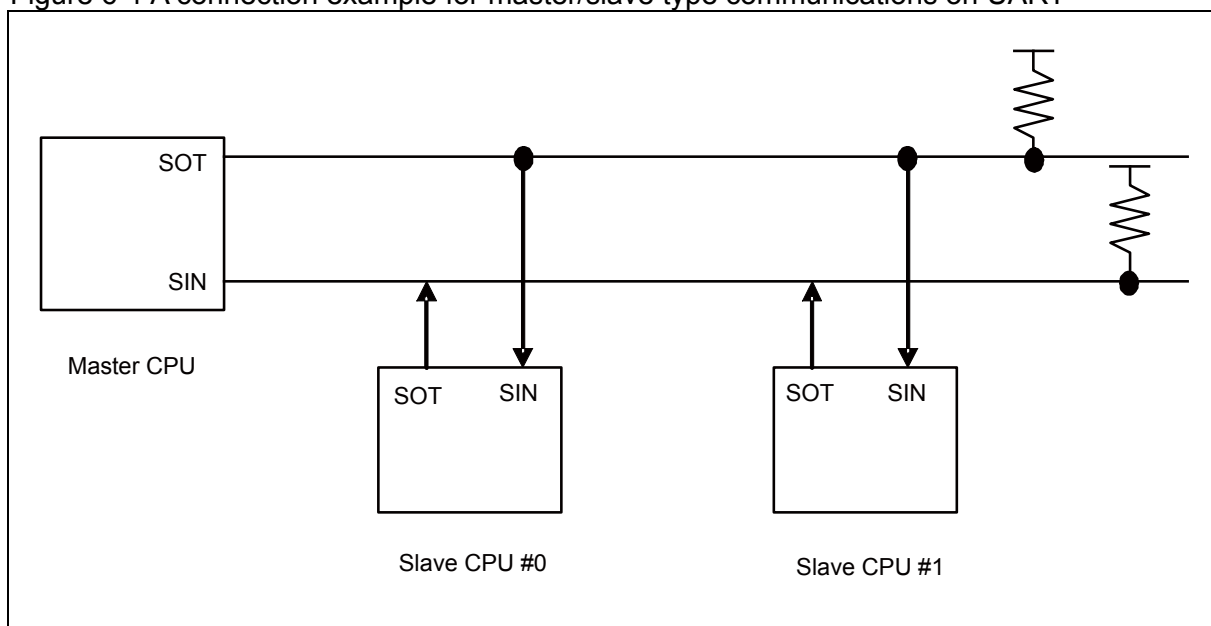
6. Setting Procedure and Program Flow in Operation Mode 1 (Asynchronous Multiprocessor Mode)

In operation mode 1 (multiprocessor mode), communications by master/slave connections with multiple CPUs are enabled. Either the master or slave function is available.

■ CPU-to-CPU connection

In a master/slave type communications, as shown in Figure 6-1, the communications system is configured with two common communication lines connected to the master CPU and multiple slave CPUs. UART can be used either as a master or a slave.

Figure 6-1 A connection example for master/slave type communications on UART



■ Function selection

In master/slave type communications, select the operation mode and data transfer system, as shown in Table 6-1.

Table 6-1 Selection of master/slave type communications functions

	Operation mode		Data	Parity	Stop state bit	bit direction
	Master mode CPU	Slave mode CPU				
Address transmit and reception	Mode 1 (A/D bit transmit)	Mode 1 (A/D bit reception)	AD=1 + 7 or 8 bits Address	OFF	One bit or 2 bits	LSB or MSB first
Data transmit and reception			AD=0 + 7 or 8 bits Data			

<Note>

In operation mode 1, operate in word access mode for transmit/received data (TDR/RDR).

● **Communications procedure**

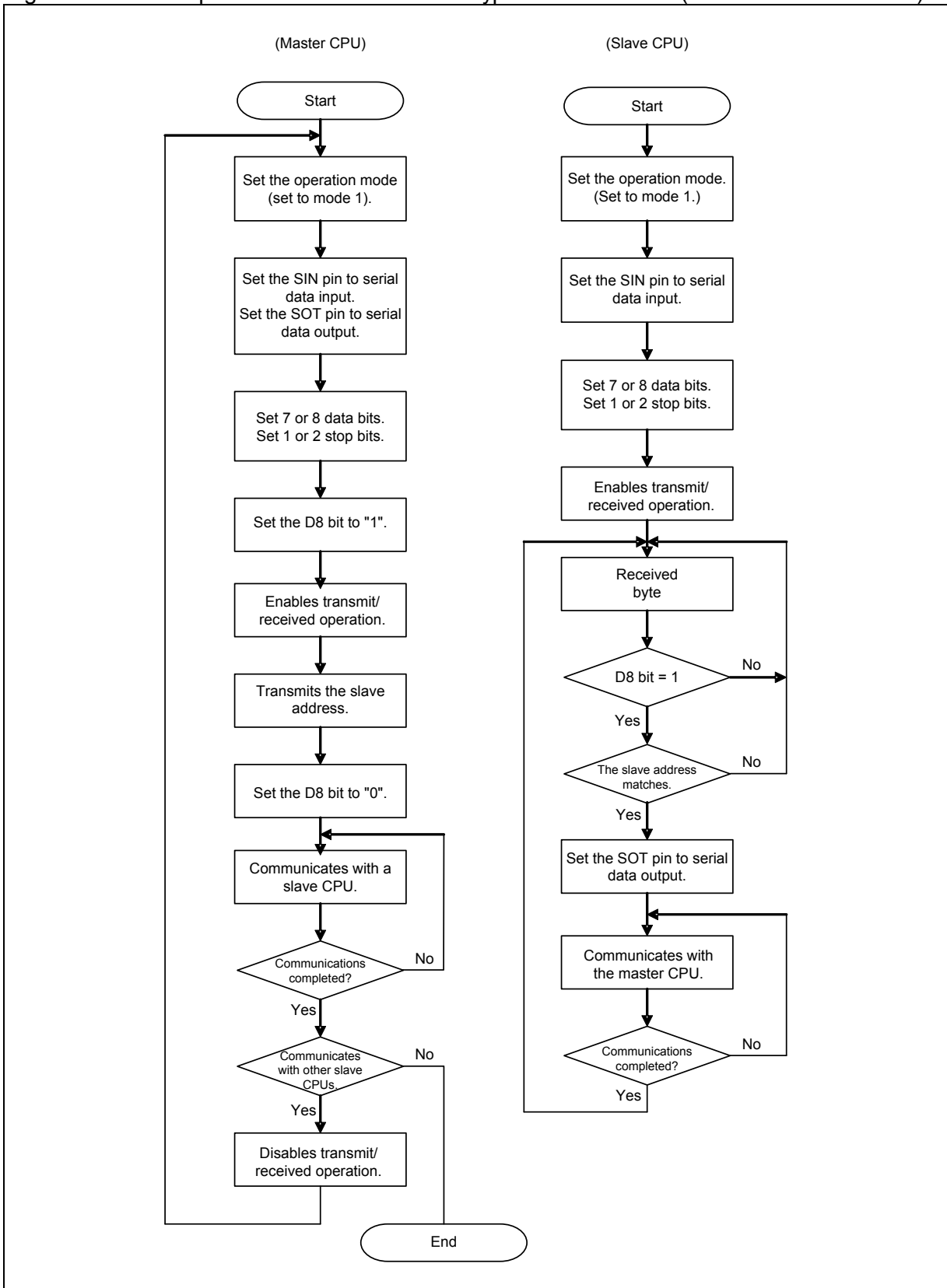
Communications start when the master CPU transmits address data. Address data is a data set whose D8 bit is "1", and used for selecting a slave CPU to communicate with. Each slave CPU judges the address as programmed, and communicates with the master CPU if that address matches the assigned address.

Figure 6-2 and Figure 6-3 show flowcharts of master/slave type communications (in multiprocessor mode).

■ Flowcharts

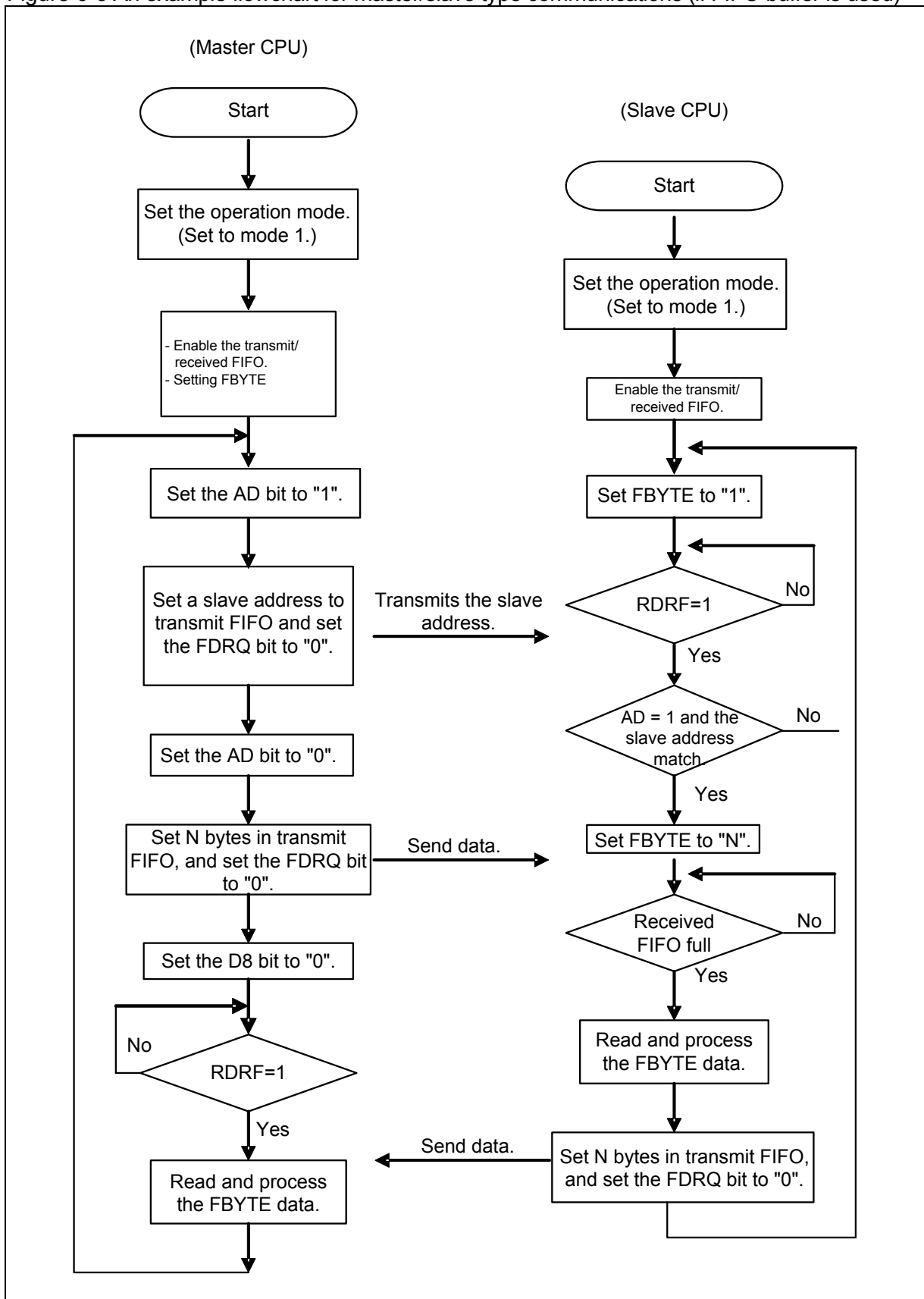
● If FIFO is not used

Figure 6-2 An example flowchart for master/slave type communications (if FIFO buffer is not used)



● If FIFO is used

Figure 6-3 An example flowchart for master/slave type communications (if FIFO buffer is used)



7. UART (Asynchronous Serial Interface) Registers

This section provides a list of UART (Asynchronous Serial Interface) registers.

■ UART (Asynchronous Serial Interface) registers list

Table 7-1 UART (Asynchronous Serial Interface) register list

	bit15	bit8	bit7	bit0
UART	SCR (Serial Control Register)			SMR (Serial Mode Register)
	SSR (Serial Status Register)			ESCR (Extended Communication Control Register)
	RDR1/TDR1 (Transmit/Received Data Register 1)			RDR0/TDR0 (Transmit/Received Data Register 0)
	BGR1 (Baud Rate Generator Register 1)			BGR0 (Baud Rate Generator Register 0)
FIFO	FCR1 (FIFO Control Register 1)			FCR0 (FIFO Control Register 0)
	FBYTE2 (FIFO2 Byte Register)			FBYTE1 (FIFO1 Byte Register)

Table 7-2 UART (Asynchronous Serial Interface) bit assignment

	bit15	bit14	bit13	bit12	bit11	bit10	bit9	bit8	bit7	bit6	bit5	bit4	bit3	bit2	bit1	bit0
SCR/ SMR	UPCL	-	-	RIE	TIE	TBIE	RXE	TXE	MD2	MD1	MD0	-	SBL	BDS	-	SOE
SSR/ ESCR	REC	-	PE	FRE	ORE	RDRF	TDRE	TBI	FLWEN	ESBL	INV	PEN	P	L2	L1	L0
TDR/ (RDR)	-							D8 (AD)	D7	D6	D5	D4	D3	D2	D1	D0
BGR1/ BGR0	EXT	B14	B13	B12	B11	B10	B9	B8	B7	B6	B5	B4	B3	B2	B1	B0
FCR1/ FCR0	-	-	-	FLSTE	FRIIE	FDRQ	FTIE	FSEL	-	FLST	FLD	FSET	FCL2	FCL1	FE2	FE1
FBYTE2/ FBYTE1	FD15	FD14	FD13	FD12	FD11	FD10	FD9	FD8	FD7	FD6	FD5	FD4	FD3	FD2	FD1	FD0

■ Operation mode

UART (Asynchronous Serial Interface) operates in two different modes. The Serial Mode Register (SMR) determines the mode to be enabled, depending on its setting, MD2, MD1 or MD0.

Table 7-3 UART (Asynchronous Serial Interface) operation modes

Operation mode	MD2	MD1	MD0	Type
0	0	0	0	UART0 (asynchronous normal mode)
1	0	0	1	UART1 (asynchronous multiprocessor mode)

7.1. Serial Control Register (SCR)

The Serial Control Register (SCR) can perform transmit/received enable/disable, transmit/received interrupt enable/disable, transmit bus idle interrupt enable/disable and UART reset operations.

bit	15	14	13	12	11	10	9	8	7	...	0
Field	UPCL	-	-	RIE	TIE	TBIE	RXE	TXE	(SMR)		
Attribute	R/W	-	-	R/W	R/W	R/W	R/W	R/W			
Initial value	0	-	-	0	0	0	0	0			

[bit15] UPCL: Programmable Clear bit
 Initializes the UART internal state.

bit	Description	
	At writing	At reading
0	No effect on operation.	"0" is always read.
1	Programmable clear	

If set to "1",

- UART is reset directly (software reset). However, the current register settings are maintained. The transmit or received state is disconnected immediately.
- The baud rate generator reloads the BGR1/0 register value and restarts operation.
- All of transmit/received interrupt factors (SSR:PE, FRE, ORE, RDRF, TDRE and TBI) are initialized (to 0b000011).
- $\overline{\text{RTS}}$ signal is cleared to "LOW".

If set to "0",

It has no effect on operation.

"0" is always read during reading.

<Notes>

- Disable an interrupt first, and then execute the programmable clear instruction.
- If the FIFO operation is used, disable it (FCR0:FE[2:1]=00) first and then execute Programmable Clear.

[bit14:13] - : Unused bits

These bits' values are undefined when read.

These bits have no effect when written.

[bit12] RIE: Received interrupt enable bit

- This bit enables or disables an output of received interrupt request to the CPU.
- If the RIE bit and the received data flag bit (SSR:RDRF) are "1", or if any of the error flag bits (SSR:PE, ORE or FRE) is "1", a received interrupt request is output.

bit	Description
0	Disables the received interrupt.
1	Enables the received interrupt.

[bit11] TIE: Transmit interrupt enable bit

- This bit enables or disables an output of Transmit Interrupt Request to the CPU.
- If the TIE bit and SSR:TDRE bit are "1", a Transmit Interrupt Request is output.

bit	Description
0	Disables a transmit interrupt.
1	Enables a transmit interrupt.

[bit10] TBIE: Transmit bus idle interrupt enable bit

- This bit enables or disables an output of transmit bus idle interrupt request to the CPU.
- If the TBIE bit and TBI bit are "1", a transmit bus idle interrupt request is output.

bit	Description
0	Disables the transmit bus idle interrupt.
1	Enables the transmit bus idle interrupt.

[bit9] RXE: Received operation enable bit

Enables or disables UART received operation.

bit	Description
0	Disables data received.
1	Enables data received.

<Notes>

- Reception is not started unless the falling edge of the start bit (in NRZ format, when ESCR:INV=0) is input even if reception is enabled (RXE=1). (In the inverted NRZ format (ESCR:INV=1), reception is not started unless the rising edge is input).
- If data reception is disabled (RXE=0) during the received operation, the current data reception is stopped immediately.
- When the received operation is disabled (RXE=0), the $\overline{\text{RTS}}$ signal is fixed to "LOW".

[bit8] TXE: Transmission operation enable bit
Enables or disables the UART transmission operation.

bit	Description
0	Disables the transmission.
1	Enables the transmission.

<Note>

If data transmission is disabled (TXE=0) during the transmission operation, the current data transmission is stopped immediately.

7.2. Serial Mode Register (SMR)

The Serial Mode Register (SMR) is used to set the operation mode, transfer direction, data length and to select the stop bit length as well as to enable/disable output of serial data to their pins.

bit	15	...	8	7	6	5	4	3	2	1	0
Field	(SCR)			MD2	MD1	MD0	-	SBL	BDS	Reserved	SOE
Attribute				R/W	R/W	R/W	-	R/W	R/W	-	R/W
Initial value				0	0	0	0	0	0	0	0

[bit7:5] MD2, MD1, MD0: Operation mode set bit
 Set operation mode of the Asynchronous Serial Interface..

* This chapter explains the registers and their operation in operation mode 0 (asynchronous normal mode) and in operation mode 1 (asynchronous multiprocessor mode).

bit7	bit6	bit5	Description
0	0	0	Operation mode 0 (asynchronous normal mode)
0	0	1	Operation mode 1 (asynchronous multiprocessor mode)
0	1	0	Operation mode 2 (clock sync mode)
0	1	1	Operation mode 3 (LIN communication mode)
1	0	0	Operation mode 4 (I ² C mode)
Other than the above			Setting is prohibited.

<Notes>

- Any bit setting other than above is prohibited.
- To switch the current operation mode, issue a programmable clear instruction (SCR:UPCL=1) and switch the operation mode continuously.
- After the operation mode has been switched, set each register correctly.

[bit4] Reserved: Reserved bit
 The read value is "0". Be sure to write "0".

[bit3] SBL: Stop bit length select bit

This bit sets a stop bit length (the frame end mark of the transmit data).

bit	Description	
0	ESCR:ESBL=0	1 bit
	ESCR:ESBL=1	3 bits
1	ESCR:ESBL=0	2 bits
	ESCR:ESBL=1	4 bits

<Notes>

- In the reception operation, only the first bit of the stop bit data is detected.
- Always set this bit when transmission is disabled (SCR:TXE=0).

[bit2] BDS: Transfer direction select bit

Specifies to transmit the least significant bit of the transmit serial data first (LSB first; BDS=0) or the most significant bit first (MSB first; BDS=1).

bit	Description
0	LSB first (The least significant bit is first transferred.)
1	MSB first (The most significant bit is first transferred.)

<Note>

Set this bit when transmission and reception are disabled (SCR:TXE=SCR:RXE=0).

[bit1] Reserved bit

The read value is "0". Be sure to write "0".

[bit0] SOE: Serial data output enable bit

This bit enables or disables a serial data output.

bit	Description
0	Disables a serial data output.
1	Enables a serial data output.

<Note>

If this bit is used as the SOT pin, the GPIO must also be set.

7.3. Serial Status Register (SSR)

The Serial Status Register (SSR) is used to check the current transmit/received state, check the received error flag, and clears the received error flag.

bit	15	14	13	12	11	10	9	8	7	...	0
Field	REC	-	PE	FRE	ORE	RDRF	TDRE	TBI	(ESCR)		
Attribute	R/W	-	R	R	R	R	R	R			
Initial value	0	-	0	0	0	0	1	1			

[bit15] REC: Received error flag clear bit

This bit clears the PE, FRE and ORE flags of the Serial Status Register (SSR).

bit	Description	
	At writing	At reading
0	No effect on operation.	"0" is always read.
1	Clears the received error flag (PE, FRE, ORE).	

[bit14] - : Unused bit

This bit value is undefined when read.

This bit has no effect when written.

[bit13] PE: Parity error flag bit (only functions in operation mode 0)

- If a parity error occurs during data received with ESCR:PEN=1, this bit is set to "1". This is cleared if the REC bit of Serial Status Register (SSR) is set to "1".
- If the PE bit and SCR:RIE bit are "1", a received interrupt request is output.
- If this flag is set, data in the Received Data Register (RDR) is invalid.
- If this flag is set when received FIFO is used, the received FIFO enable bit is cleared and the received data is not stored in received FIFO.

bit	Description
0	No parity error occurred.
1	A parity error occurred.

[bit12] FRE: Framing error flag bit

- If a framing error occurs during data reception, this bit is set to "1". This is cleared if the REC bit of Serial Status Register (SSR) is set to "1".
- If the FRE bit and SCR:RIE bit are "1", a received interrupt request is output.
- If this flag is set, data in the Received Data Register (RDR) is invalid.
- If this flag is set when received FIFO is used, the received FIFO enable bit is cleared and the received data is not stored in received FIFO.

bit	Description
0	No framing error occurred.
1	A framing error occurred.

[bit11] ORE: Overrun error flag bit

- If an overrun occurs during data reception, this bit is set to "1". This is cleared if the REC bit of Serial Status Register (SSR) is set to "1".
- If the ORE and SCR:RIE bits are "1", a received interrupt request is output.
- If this flag is set, data in the Received Data Register (RDR) is invalid.
- If this flag is set when received FIFO is used, the received FIFO enable bit is cleared and the received data is not stored in received FIFO.

bit	Description
0	No overrun error occurred.
1	An overrun error occurred.

[bit10] RDRF: Received data full flag bit

- This flag shows the state of the Received Data Register (RDR).
- When the received data is loaded in the RDR, this bit is set to "1". When data is read from the Received Data Register (RDR), this bit is cleared to "0".
- If the RDRF bit and SCR:RIE bit are "1", a received interrupt request is output.
- If the received FIFO is used and if a certain count of data is received by the received FIFO, the RDRF bit is set to "1".
- If received FIFO is used, if both of the following conditions are satisfied, and if the Received Idle state continues more than 8 baud rate clocks, the RDRF bit is set to "1".
 - The received FIFO idle detection enable bit (FCR1:FRIIE) is "1".
 - The preset data amount is not received and some data remains in received FIFO.
 If the RDR data is read during counting of 8 clocks, this counter is reset to "0", and counting for 8 clocks is restarted.
- If the received FIFO is used and if this buffer is emptied, this bit is cleared to "0".

bit	Description
0	The Received Data Register (RDR) is empty.
1	The Received Data Register (RDR) contains data.

[bit9] TDRE: Transmit data empty flag bit

- This flag shows the state of Transmit Data Register (TDR).
- If transmit data is written in the TDR, this bit is set to "0" to indicate that the TDR contains valid data. When data is loaded to the transmit shift register and when the transmission is started, this bit is set to "1" to indicate that the TDR does not have the valid data.
- If the TDRE bit and SCR:TIE bit are "1", a transmit interrupt request is output.
- When the UPCL bit of the Serial Control Register (SCR) is set to "1", the TDRE bit is set to "1".
- For the TDRE bit set/reset timing when transmit FIFO is used, see "2.4 Interrupt and flag set timing when transmit FIFO is used".

bit	Description
0	The Transmit Data Register (TDR) contains data.
1	The Transmit Data Register is empty.

[bit8] TBI: Transmit bus idle flag

- This bit indicates that UART is not transmitting data.
- When transmit data is written in the Transmit Data Register (TDR), this bit is set to "0".
- If the Transmit Data Register is empty (TDRE=1) and not transmitting data, this bit is set to "1".
- When the UPCL bit of the Serial Control Register (SCR) is set to "1", this bit is set to "1".
- If this bit is "1" and if the transmit bus idle interrupt is enabled (SCR:TBIE=1), a transmit interrupt request is output.

bit	Description
0	During data transmission
1	No data transmission

7.4. Extended Communication Control Register (ESCR)

The Extended Communication Control Register (ESCR) is used to set a transmit/received data length, enable/disable a parity bit, select a parity bit, invert the serial data format and set stop bit length selection.

bit	15	...	8	7	6	5	4	3	2	1	0
Field	(SSR)			FLWEN	ESBL	INV	PEN	P	L2	L1	L0
Attribute				R/W	R/W	R/W	R/W	R/W	R/W	R/W	R/W
Initial value				0	0	0	0	0	0	0	0

[bit7] FLWEN: Flow control enable bit

Selects to enable or disable the hardware flow control operation.

bit	Description
0	Disables hardware flow control.
1	Enables hardware flow control.

<Notes>

- Set this bit when data transmission and reception is disabled (SCR:TXE=0, RXE=0).
- Set this bit to "1" only when the hardware flow control is desired.

[bit6] ESBL: Extension stop bit length select bit

This bit sets a stop bit length (the frame end mark of the transmit data).

bit	Description	
0	SMR:SBL=0	1 bit
	SMR:SBL=1	2 bits
1	SMR:SBL=0	3 bits
	SMR:SBL=1	4 bits

<Notes>

- In the reception operation, only the first bit of the stop bit data is detected.
- Always set this bit when transmission is disabled (SCR:TXE=0).

[bit5] INV: Inverted serial data format bit

Selects NRZ or inverted NRZ for the serial data format.

bit	Description
0	NRZ format
1	Inverted NRZ format

[bit4] PEN: Parity enable bit (only functions in operation mode 0)

Sets to add (for transmit) and detect (for reception) a parity bit or not to.

bit	Description
0	Disables parity.
1	Enables parity.

<Note>

In operation mode 1, this bit is internally fixed at "0".

[bit3] P: Parity select bit (only functions in operation mode 0)

When set to enable parity (ESCR: PEN=1, this bit is set to either odd-number parity "1" or even-number parity "0".

bit	Description
0	Even-number parity
1	Odd-number parity

[bit2:0] L2, L1, L0: Data length select bit

These bits set a length of transmit/received data.

bit2	bit1	bit0	Description
0	0	0	8-bit length
0	0	1	5-bit length
0	1	0	6-bit length
0	1	1	7-bit length
1	0	0	9-bit length

<Notes>

- Any setting other than the above is prohibited.
- In operation mode 1, set the data length to seven or eight bits. Any other setting is prohibited.

7.5. Received Data Register/Transmit Data Register (RDR/TDR)

The Received and Transmit Data Registers are allocated at the same address. This register functions as the Received Data Register when data is read from it. This register operates as the Transmit Data Register when data is written in it.

When the FIFO operation is enabled, the RDR/TDR address functions as the FIFO read/write address.

■ Received Data Register (RDR)

bit	15	...	9	8	7	6	5	4	3	2	1	0
Field	-----			D8	D7	D6	D5	D4	D3	D2	D1	D0
Attribute				R	R	R	R	R	R	R	R	R
Initial value				0	0	0	0	0	0	0	0	0

The Received Data Register (RDR) is a 9-bit data buffer register for serial data reception.

- When serial data signals are sent to the Serial Input pin (SIN), they are converted by a shift register and stored in the Received Data Register (RDR).
- The upper bits are set to "0" according to the data length, as follows.

Data length	D8	D7	D6	D5	D4	D3	D2	D1	D0
9 bits	X	X	X	X	X	X	X	X	X
8 bits	0	X	X	X	X	X	X	X	X
7 bits	0	0	X	X	X	X	X	X	X
6 bits	0	0	0	X	X	X	X	X	X
5 bits	0	0	0	0	X	X	X	X	X

(X represents the received data bit.)

- When the received data is stored in the Received Data Register (RDR), the received data full flag bit (SSR:RDRF) is set to "1". If a received interrupt is enabled (SSR:RIE=1), a received interrupt request is generated.
- The Received Data Register (RDR) must be read only when the received data full flag bit (SSR:RDRF) is "1". When data is read from the Received Data Register (RDR), the received data full flag bit (SSR:RDRF) is cleared to "0" automatically.
- If a received error occurs (when SSR:PE, ORE or FRE is "1"), data in the Received Data Register (RDR) becomes invalid.
- In operation mode 1 (multiprocessor mode), 7-bit or 8-bit long operation takes place and the received AD bit is stored in the D8 bit.
- For 9-bit long data transfer and in operation mode 1, data must be read from RDR by 16-bit data accessing.

<Notes>

- If the Received FIFO is used and if the preset amount of data is received in the Received FIFO buffer, SSR:RDRF is set to "1".
- If the received FIFO is used and if this buffer is emptied, the SSR:RDRF bit is cleared to "0".
- If a received error occurs when received FIFO is used (SSR:PE, ORE, or FRE is "1"), the received FIFO enable bit is cleared and the received data is not stored in the received FIFO buffer.

■ **Transmit Data Register (TDR)**

bit	15	...	9	8	7	6	5	4	3	2	1	0
Field	-----			D8	D7	D6	D5	D4	D3	D2	D1	D0
Attribute				W	W	W	W	W	W	W	W	W
Initial value				1	1	1	1	1	1	1	1	1

The Transmit Data Register (TDR) is a 9-bit data buffer register for serial data transmission.

- If data transmission is enabled (SCR:TXE=1) and if the transmit data is written in the Transmit Data Register (TDR), the transmit data is transferred to the Transmit Shift Register. The transmit data is then converted into serial data and sent out from the serial data output pin (SOT).
- The upper bits are sequentially made invalid according to the data length as follows.

Data length	D8	D7	D6	D5	D4	D3	D2	D1	D0
9 bits	X	X	X	X	X	X	X	X	X
8 bits	Invalid	X	X	X	X	X	X	X	X
7 bits	Invalid	Invalid	X	X	X	X	X	X	X
6 bits	Invalid	Invalid	Invalid	X	X	X	X	X	X
5 bits	Invalid	Invalid	Invalid	Invalid	X	X	X	X	X

(X means a transmit data bit.)

- When the transmit data is written in the Transmit Data Register (TDR), the transmit data empty flag (SSR:TDRE) is cleared to "0".
- When the transmit data is transferred to the transmit shift register and data transmission is started, and if transmit FIFO is disabled or if transmit FIFO is empty, the transmit data empty flag (SSR:TDRE) is set to "1".
- If the transmit data empty flag (SSR:TDRE) is "1", transmit data can be written. If a transmit interrupt is enabled, a transmit interrupt occurs. Perform transmit data write after a transmit interrupt is generated or when the transmit data empty flag (SSR:TDRE) is "1".
- If the transmit data empty flag (SSR:TDRE) is "0" and transmit FIFO is disabled or the transmit FIFO buffer is full, no transmit data can be written.
- In operation mode 1 (multiprocessor mode), 7-bit or 8-bit long operation takes place and the AD bit is sent by writing to the D8 bit.
- For 9-bit long data transfer and in operation mode 1, data must be written in TDR by 16-bit data accessing.

<Notes>

- The Transmit Data Register is a write-only register. While the Received Data Register is a read-only register. As the transmission and received registers are allocated at the same address, the write and read values differ from each other. Therefore, the INC/DEC instruction and other read-modify-write (RMW) instructions cannot be used.
- For the transmit data empty flag (SSR:TDRE) set timing when transmit FIFO is used, see "2.4 Interrupt and flag set timing when transmit FIFO is used".

7.6. Baud Rate Generator Registers 1 and 0 (BGR1 and BGR0)

Baud Rate Generator Registers 1 and 0 (BGR1 and BGR0) are used to set a frequency division ratio of serial clocks. Also, an external clock can be selected as the clock source of the reload counter.

bit	15	14	13	12	11	10	9	8	7	6	5	4	3	2	1	0
Field	EXT	(BGR1)							(BGR0)							
Attribute	R/W	R/W	R/W	R/W	R/W	R/W	R/W	R/W	R/W	R/W	R/W	R/W	R/W	R/W	R/W	R/W
Initial value	0	0	0	0	0	0	0	0	0	0	0	0	0	0	0	0

- The Baud Rate Generator Registers are used to set a frequency division ratio of serial clocks.
- The BGR1 register corresponds to the upper bits, and the BGR0 register corresponds to the lower bits. The reload value to be counted can be written, and the BGR1/BGR0 set value can be read.
- When the reload value is written in Baud Rate Generator Registers 1 and 0 (BGR1 and BGR0), the reload counter starts its counting.
- The EXT bit (bit15) specifies to use the clock source of reload counter as the internal clock or the external clock. If EXT=0 is set, an internal clock is used. If EXT=1 is set, an external clock is used.

[bit15] EXT: External clock select bit

bit	Description
0	Uses the internal clock.
1	Uses an external clock.

[bit14:8] BGR1: Baud Rate Generator Register 1

bit14:8	Description
Write	Writes data in bit8 to bit14 of reload counter.
Read	Read the BGR1 set value.

[bit7:0] BGR0: Baud Rate Generator Register 0

bit7:0	Description
Write	Write data in bit0 to bit7 of reload counter.
Read	Read the BGR0 set value.

<Notes>

- Data must be written in the Baud Rate Generator Registers (BGR1 and BGR0) by 16-bit data accessing.
 - If the current values of Baud Rate Generator Registers (BGR1, BGR0) are changed, the new values are reloaded only after the counter value has reached "15h00". In order to validate the new set values immediately, change the BGR1/BGR0 set values and execute the programmable clear (UPCL).
 - If the reload value is an even number, in the received serial clock, the width of a "LOW" signal is longer than that of a "HIGH" signal by one bus clock cycle. If the value is an odd number, the width of a LOW signal is the same as that of a HIGH signal.
 - Set a value "4" or higher to BGR1/BGR0. Note that data may not be received successfully depending on the baud rate error and reload value settings.
 - To change the setting to an external clock (EXT=1) while the Baud Rate Generator is running, write "0" to the Baud Rate Generators 1 and 0 (BGR1, BGR0), execute Programmable Clear (UPCL) and then set for an external clock (EXT=1).
-

7.7. FIFO Control Register 1 (FCR1)

The FIFO Control Register (FCR1) is used to set the FIFO test, select the transmit or received FIFO, enable the transmit FIFO interrupt, and control the interrupt flag.

bit	15	14	13	12	11	10	9	8	7	...	0
Field	Reserved			FLSTE	FRIIE	FDRQ	FTIE	FSEL	(FCR0)		
Attribute	-			R/W	R/W	R/W	R/W	R/W			
Initial value	-			0	0	1	0	0			

[bit15:13] Reserved bits

The read value is "0". Be sure to write "0".

[bit12] FLSTE: Re-transmission data lost detect enable bit

This bit enables the FIFO re-transmission data lost flag (FLST) detection.

bit	Description
0	Disables the Data Lost detection.
1	Enables the Data Lost detection.

<Note>

To set this bit to "1", set the FSET bit to "1" first, and then set this bit to "1".

[bit11] FRIIE: Received FIFO idle detection enable bit

This bit sets to detect the received idle state if the received FIFO contains valid data and if it continues more than 8-bit hours. If the received interrupt is enabled (SCR:RIE=1), a received interrupt is generated when the received idle state is detected.

bit	Description
0	Disables the received FIFO idle detection.
1	Enables the received FIFO idle detection.

<Note>

In case of using Received FIFO, set this bit to "1".

[bit10] FDRQ: Transmit FIFO data request bit

This bit requests for the transmit FIFO data.

If this bit is "1", the transmit data is being requested. At this time, if a transmit FIFO interrupt is enabled (FTIE=1), a transmit FIFO interrupt request is output.

The FDRQ bit is set when:

- The FBYTE (for transmission) is "0" (Transmit FIFO is empty).

The FDRQ bit is reset when:

- This bit is set to "0".
- Transmit FIFO is filled with data.

bit	Description
0	Does not request for the transmit FIFO data.
1	Requests for the transmit FIFO data.

<Notes>

- "0" written when transmit FIFO is enabled is valid.
- If the FBYTE (for transmission) is "0", this bit cannot be set to "0".
- If this bit is set to "1", it has no effect on the operation.
- If a read-modify-write instruction is issued, "1" is read.

[bit9] FTIE: Transmit FIFO interrupt enable bit

This bit enables a transmit FIFO interrupt. If this bit is set to "1", an interrupt occurs when the FDRQ bit is set to "1".

bit	Description
0	Disables the transmit FIFO interrupt.
1	Enables the transmit FIFO interrupt.

[bit8] FSEL: FIFO select bit

This bit selects the transmit or received FIFO.

bit	Description
0	Transmit FIFO:FIFO1; Received FIFO:FIFO2
1	Transmit FIFO:FIFO2; Received FIFO:FIFO1

<Notes>

- This bit is not cleared by the FIFO Reset (FCR0:FCL[2:1]=11).
 - To change this bit state, first disable the FIFO operation (FCR0:FE[2:1]=00).
-

7.8. FIFO Control Register 0 (FCR0)

The FIFO Control Register 0 (FCR0) is used to enable/disable the FIFO operation, reset FIFO, save the read pointer, and set the data re-transmission.

bit	15	8	7	6	5	4	3	2	1	0
Field	(FCR1)		-	FLST	FLD	FSET	FCL2	FCL1	FE2	FE1
Attribute			-	R	R/W	R/W	R/W	R/W	R/W	R/W
Initial value			0	0	0	0	0	0	0	0

[bit7] - : Unused bit

When read, always "0" is read.

When written, always set this bit to "0".

[bit6] FLST: FIFO re- transmit data lost flag bit

This bit shows that the re- transmit data of transmit FIFO has been lost.

The FLST bit is set when:

- Data is written (overwritten) in the FIFO buffer when the FLSTE bit of FIFO Control Register 1 (FCR1) is "1" and the write pointer for transmit FIFO matches the read pointer which has been saved by the FSET bit.

The FLST bit is reset when:

- FIFO is reset (FCL bit is set to "1").
- The FSET bit is set to "1".

If this bit is set to "1", the data identified by the read pointer (saved by the FSET bit) is overwritten. Therefore, the FLD bit cannot set the data re-transmission even if an error has occurred. If this bit is set to "1" and if you wish to re-transmit data, first reset FIFO. Then, write data in the FIFO buffer again.

bit	Description
0	No Data Lost has occurred.
1	Data Lost has occurred.

[bit5] FLD: FIFO pointer reload bit

This bit reloads the data, being saved in transmit FIFO by the FSET bit, to the reload pointer. This bit can be used to re-transmit data after a communication error or others have occurred.

When the re-transmission setting has finished, this bit is set to "0".

bit	Description
0	Not reloaded
1	Reloaded

<Notes>

- If this bit is "1", data is being reloaded in the read pointer. Therefore, data writing except for FIFO reset is disabled.
- When FIFO is enabled or when data is being transmitted, this bit cannot be set to "1".
- After you have set the TIE bit and TBIE bit to "0", set this bit to "1". After you have enabled transmit FIFO, set the SCR:TIE bit and SCR:TBIE bit to "1".

[bit4] FSET: FIFO pointer save bit

This bit saves the transmit FIFO read pointer.

If the read pointer value is saved before being transmitted and if the FLST bit is "0", the data can be re-transmitted even if a communication error or others have occurred.

If set to "1", the current read pointer value is saved.

If set to "0", the read pointer is not saved..

bit	Description	
	At writing	At reading
0	Not saved	"0" is always read.
1	The read pointer value is saved.	

<Note>

This bit can be set to "1" only when the transmission byte count (FBYTE) is "0".

[bit3] FCL2: FIFO2 reset bit

This bit resets the FIFO2 value.

If this bit is set to "1", the FIFO2 internal state is initialized.

Only the FCR1:FLST bit is initialized, and the other bits of FCR1/FCR0 registers are kept.

bit	Description	
	At writing	At reading
0	No effect on operation.	"0" is always read.
1	FIFO2 is reset.	

<Notes>

- Disable the transmit and reception first, and then reset FIFO2.
- Set the transmit FIFO interrupt enable bit to "0" before the execution.
- The valid data count of the FBYTE2 register is set to "0".

[bit2] FCL1: FIFO1 reset bit

This bit resets the FIFO1 state.

If this bit is set to "1", the FIFO1 internal state is initialized.

Only the FCR1:FLST bit is initialized, and the other bits of FCR1/FCR0 registers are kept.

bit	Description	
	At writing	At reading
0	No effect on operation.	"0" is always read.
1	FIFO1 is reset.	

<Notes>

- Disable the transmit and reception first, and then reset FIFO1.
- Set the transmit FIFO interrupt enable bit to "0" before the execution.
- The valid data count of the FBYTE1 register is set to "0".

[bit1] FE2: FIFO2 operation enable bit

This bit enables or disables the FIFO2 operation.

- To use the FIFO2 operation, set this bit to "1".
- If FIFO2 is set as transmit FIFO (FCR1:FSEL=1) and if data exists in FIFO2 when this bit is set to "1", the data transmission starts immediately when the UART is enabled to transmit data (SCR:TXE=1). During this time, set both SCR:TIE bit and SCR:TBIE bit to "0". Then, set this bit to "1" and set both SCR:TIE bit and SCR:TBIE bit to "1".
- If received FIFO is selected by the FSEL bit and if a received error has occurred, this bit is cleared to "0". This bit cannot be set to "1" until the received error is cleared.
- If FIFO2 is used as transmit FIFO, this bit must be set to "1" or "0" when the transmit buffer is empty (SSR:TDRE=1).
- If FIFO2 is used as received FIFO, this bit must be set to "0" when the received buffer is empty (SSR:RDRF=0) and no valid data exists in received FIFO (FBYTE2=0) after reception is disabled (SCR:RXE=0).
- If FIFO2 is used as received FIFO, this bit must be set to "1" when the received buffer is empty (SSR:RDRF=0) after reception is disabled (SCR:RXE=0).
- The FIFO2 state is held even if the FIFO2 operation is disabled.

bit	Description
0	Disables the FIFO2 operation.
1	Enables the FIFO2 operation.

[bit0] FE1: FIFO1 operation enable bit

This bit enables or disables the FIFO1 operation.

- To use the FIFO1 operation, set this bit to "1".
- When the FIFO1 is set as transmit FIFO (FCR1:FSEL=0) and if data exists in FIFO1 when this bit is set to "1", the data transmission starts immediately when the UART is set to enable data transmission (SCR:TXE=1). During this time, set both SCR:TIE bit and SCR:TBIE bit to "0". Then, set this bit to "1" and set both TIE bit and SCR:TBIE bit to "1".
- If received FIFO is selected by the FSEL bit and if a received error has occurred, this bit is cleared to "0". This bit cannot be set to "1" until the received error is cleared.
- If FIFO1 is used as transmit FIFO, this bit must be set to "1" or "0" when the transmit buffer is empty (SSR:TDRE=1).
- If FIFO1 is used as received FIFO, this bit must be set to "0" when the received buffer is empty (SSR:RDRF=0) and no valid data exists in received FIFO (FBYTE2=0) after reception is disabled (SCR:RXE=0).
- If FIFO1 is used as received FIFO, this bit must be set to "1" when the received buffer is empty (SSR:RDRF=0) after reception is disabled (SCR:RXE=0).
- The FIFO1 state is held even if the FIFO1 operation is disabled.

bit	Description
0	Disables the FIFO1 operation.
1	Enables the FIFO1 operation.

7.9. FIFO Byte Register (FBYTE)

The FIFO Byte Register (FBYTE) indicates the effective data count in the FIFO buffer. Also, this register can be used to generate a received interrupt when certain number of data sets are received in the received FIFO.

bit	15	14	13	12	11	10	9	8	7	6	5	4	3	2	1	0
Field	(FBYTE2)								(FBYTE1)							
Attribute	R/W	R/W	R/W	R/W	R/W	R/W	R/W	R/W	R/W	R/W	R/W	R/W	R/W	R/W	R/W	R/W
Initial value	0	0	0	0	0	0	0	0	0	0	0	0	0	0	0	0

The FBYTE register indicates the effective data count of data written from or received in FIFO. The following shows the settings of the FCR1:FSEL bit.

Table 7-4 Display of data count

FSEL	FIFO selection	Data count display
0	FIFO2: Received FIFO, FIFO1:Transmit FIFO	FIFO2:FBYTE2, FIFO1:FBYTE1
1	FIFO2: Transmit FIFO, FIFO1:Received FIFO	FIFO2:FBYTE2, FIFO1:FBYTE1

- The initial value of data transfer count is "0x08" for the FBYTE register.
- Set a data count to flag a received interrupt for the FBYTE register of received FIFO. If this specified transfer count matches the FBYTE register display, the receive data full flag bit (RDRF) is set to "1".
- If the following two conditions are satisfied and if the received idle state continues for more than 8 baud rate clocks, the receive data full flag bit (RDRF) is set to "1".
 - The received FIFO idle detection enable bit (FRIIE) is "1".
 - The number of data sets stored in the received FIFO does not reach the transfer count.

If the RDR data is read during counting of 8 clocks, this counter is reset to "0", and counting for 8 clocks is restarted. If received FIFO is disabled, this counter is reset to zero (0). If data remains in the received FIFO and if received FIFO is enabled, the data counting is restarted.

FBYTE1, FBYTE2: FIFO2 data count display bits, FIFO1 data count display bits

At writing	Sets the transfer data count.
At reading	Reads the effective count of data.

Read (Effective data count)

During transmit: The number of data sets already written in the FIFO buffer but not transmitted yet
 During reception: The number of data sets reception in FIFO

Write (Transfer data count)

During transmit: Set "0x00".
 During reception: Set the data count to generate a received interrupt.

Table 7-5 Data Count to be Saved in FIFO

FIFO Capacity	Operation Mode	Data Length	Max. FBYTE Count	Count of Data to be Stored
16 BYTES	Mode 0	5 bits to 8 bits	16	16
	Mode 0	9 bits	8	8
	Mode 1	Entire bits		
32 BYTES	Mode 0	5 bits to 8 bits	32	32
	Mode 0	9 bits	16	16
	Mode 1	Entire bits		
64 BYTES	Mode 0	5 bits to 8 bits	64	64
	Mode 0	9 bits	32	32
	Mode 1	Entire bits		
128 BYTES	Mode 0	5 bits to 8 bits	128	128
	Mode 0	9 bits	64	64
	Mode 1	Entire bits		

<Notes>

- Set "0x00" in the FBYTE register of transmit FIFO.
- Set a data value equal to or greater than "1" in the FBYTE register of received FIFO.
- This state can be changed only after the data reception has been disabled.
- A read-modify-write instruction cannot be used for this register.
- Any setting exceeding the FIFO capacity is prohibited.

CHAPTER: CSIO (Clock Synchronous Serial Interface)

This chapter explains the Clock Synchronous Serial Interface (CSIO) function that is supported in Operation mode 2. This CSIO is a part of the multifunction serial interface functions.

1. Overview of CSIO (Clock Synchronous Serial Interface)
2. CSIO (Clock Synchronous Serial Interface) interrupts
3. CSIO (Clock Synchronous Serial Interface) operations
4. Serial Timer Operation
5. Serial Chip Select Operation
6. Dedicated baud rate generator
7. CSIO (Clock Synchronous Serial Interface) registers
8. Restrictions on CSIO (Clock Synchronous Serial Interface)

1. Overview of CSIO (Clock Synchronous Serial Interface)

The CSIO is a general-purpose serial data communication interface (supporting the SPI) to allow synchronous communication with an external device. It also has transmit/received FIFO (up to 128 bytes each) ^{*1}installed.

■ CSIO (Clock Synchronous Serial Interface) functions

		Function
1	Data buffer	<ul style="list-style-type: none"> Full duplex double buffer (when FIFO is not used) Transmit/Received FIFO (up to 128 bytes each) ^{*1} (if FIFO is used)
2	Transfer system	<ul style="list-style-type: none"> Clock synchronization (without start/stop bit) Master/slave function SPI supported (for both master and slave modes)
3	Baud rate	<ul style="list-style-type: none"> Dedicate baud rate generator provided (configured with a 15-bit reload counter; in master mode operation) An external clock can be entered (in the slave mode operation).
4	Data length	Variable from 5 bits to 16 bits.
5	Received error detection	Overrun error
6	Interrupt request	<ul style="list-style-type: none"> Received interrupt (a received completion, an overrun error) Transmit interrupt (a transmit data empty, a transmit bus idle) Transmit FIFO interrupt (when transmit FIFO is empty) DMA (Transmit/Received) transferring support functions are available.
7	Serial chip select	<ul style="list-style-type: none"> One channel control (single control) Setup/hold/deselect time can be set to be changeable. Active level can be set for each channel.
8	Synchronous transmit function	<ul style="list-style-type: none"> Data can be sent at a specific period automatically in synchronization with serial timer.
9	Timer function	<ul style="list-style-type: none"> 16-bit serial timer is mounted. Peration clock division ratio can be selected from 1/1 to 1/256.
10	Synchronous mode	Master or slave function
11	Pin access	The serial data output pin can be set to "1".
12	FIFO options	<ul style="list-style-type: none"> FIFO for transmit/received installed (maximum capacity: 128 bytes for transmit FIFO, 128 bytes for received FIFO) [*] Transmit FIFO or received FIFO can be selected. Transmit data can be resent. Received FIFO interrupt timing can be changed via software. FIFO resetting is supported independently.

* : The FIFO capacity size varies depending on the product.

2. CSIO (Clock Synchronous Serial Interface) interrupts

The CSIO interrupts contain the received interrupt, the transmit interrupt, and the status interrupt. These interrupt requests can be generated if

- A received data is set in the Received Data Register (RDR) or a data received error occurs.
- A transmit data is transferred from the Transmit Data Register (TDR) to the transmit shift register and the data transmission is started
- The transmit bus is idle (No data transmission occurs).
- A transmit FIFO data is requested.
- The serial timer comparison value (STMCR) and the serial timer value (STMR) match.
- The chip select error occurs.

■ CSIO interrupts

Table 2-1 shows the CSIO interrupt control bits and the interrupt factors.

Table 2-1 CSIO interrupt control bits and interrupt factors

Interrupt type	Interrupt request flag bit	Flag register	Interrupt factor	Interrupt factor enable bit	Operation to clear interrupt request flag
Reception	RDRF	SSR	A single-byte reception	SCR:RIE	Reading from the received data register (RDR)
			Reception of a data volume matching the value set for FBYTE.		Reading from the Received Data Register (RDR) until received FIFO is emptied
	The FRIIE bit is "1", received FIFO contains valid data, and the Received Idle state continues more than 8 bits time hours.				
	ORE	SSR	Overrun error		Setting the Received Error Flag Clear bit (SSR:REC) to "1"
Transmission	TDRE	SSR	The Transmit Data Register is empty.	SCR:TIE	Writing to the Transmit Data Register (TDR) or setting the transmit FIFO operation enable bit to "1" when the transmit FIFO operation enable bit is set to "0" and valid data are present in transmit FIFO (re-transmitting data) *
	TBI	SSR	No data transmission	SCR:TBIE	Writing to the Transmit Data Register (TDR) or setting the transmit FIFO operation enable bit to "1" when the transmit FIFO operation enable bit is set to "0" and valid data are present in transmit FIFO (re-transmitting data) *

Interrupt type	Interrupt request flag bit	Flag register	Interrupt factor	Interrupt factor enable bit	Operation to clear interrupt request flag
Transmission	FDRQ	FCR1	Transmit FIFO is empty.	FCR1:FTIE	The FIFO transmit data request bit (FCR1:FDRQ) is set to "0" or transmit FIFO is full.
	CSE	SACAR	In Slave mode (SCR:MS=1), or when the serial chip select pin is in inactive master mode (SCR:MS=0) at transferring, the transmit count is the set value of TBYTE or less and the next transmit data is not written in TDR (SSR:TDRE=1)	SACSR:CSEIE	Writing "0" to the Chip Select Flag Bit (SACSR:CSE).
Status	TINT	SACSR	The values of the Serial Timer Register (STMR) and the Serial Timer Comparison Register (STMCR) match.	SACSR:TINTE	Writing "0" to the Timer Interrupt Flag bit (SACSR:TINT).

* : Set the TIE bit to "1" only after the TDRE bit has been set to "0".

2.1. Received interrupt and flag set timing

Data reception can be interrupted by a Received Completion (SSR:RDRF=1) or a Received Error Occurrence (SSR:ORE=1).

■ Received interrupt and flag set timing

When the last data bit is detected, the received data is stored in the Received Data Register (RDR). When the data reception is completed (SSR:RDRF=1) or when a data received error occurs (SSR:ORE=1), each flag is set. If a received interrupt is enabled (SCR:RIE=1) during this time, a received interrupt occurs.

<Note>

If a received error occurs, data in the Received Data Register (RDR) is invalidated.

Figure 2-1 Data receiving and flag set timing

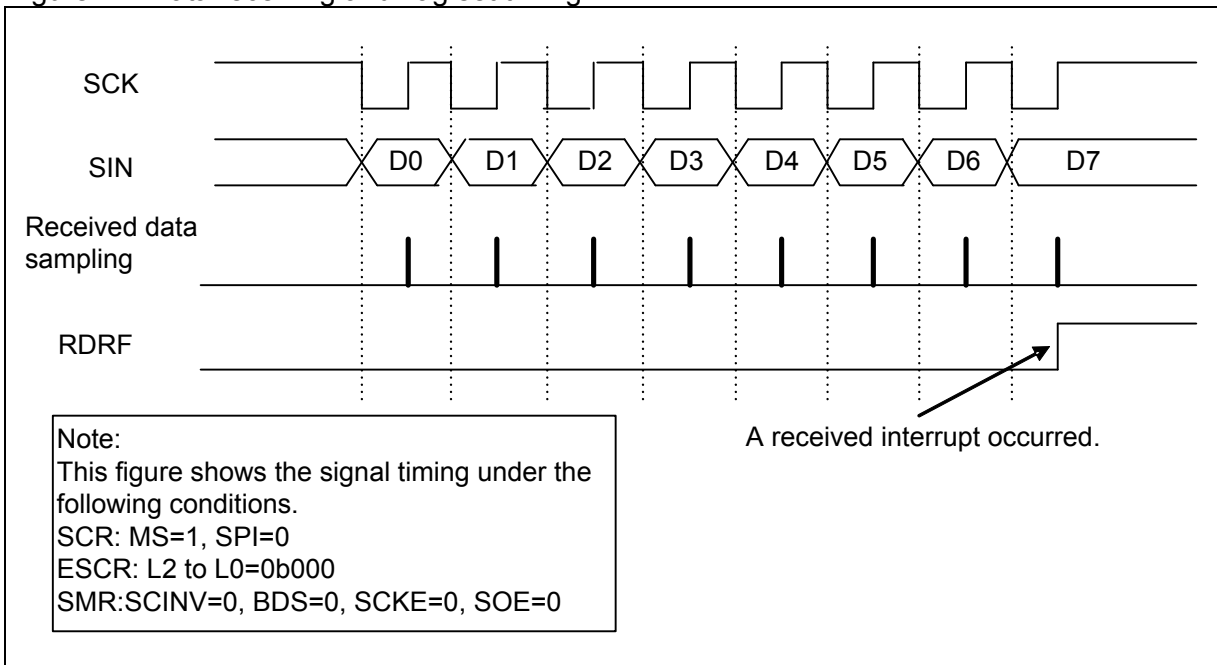
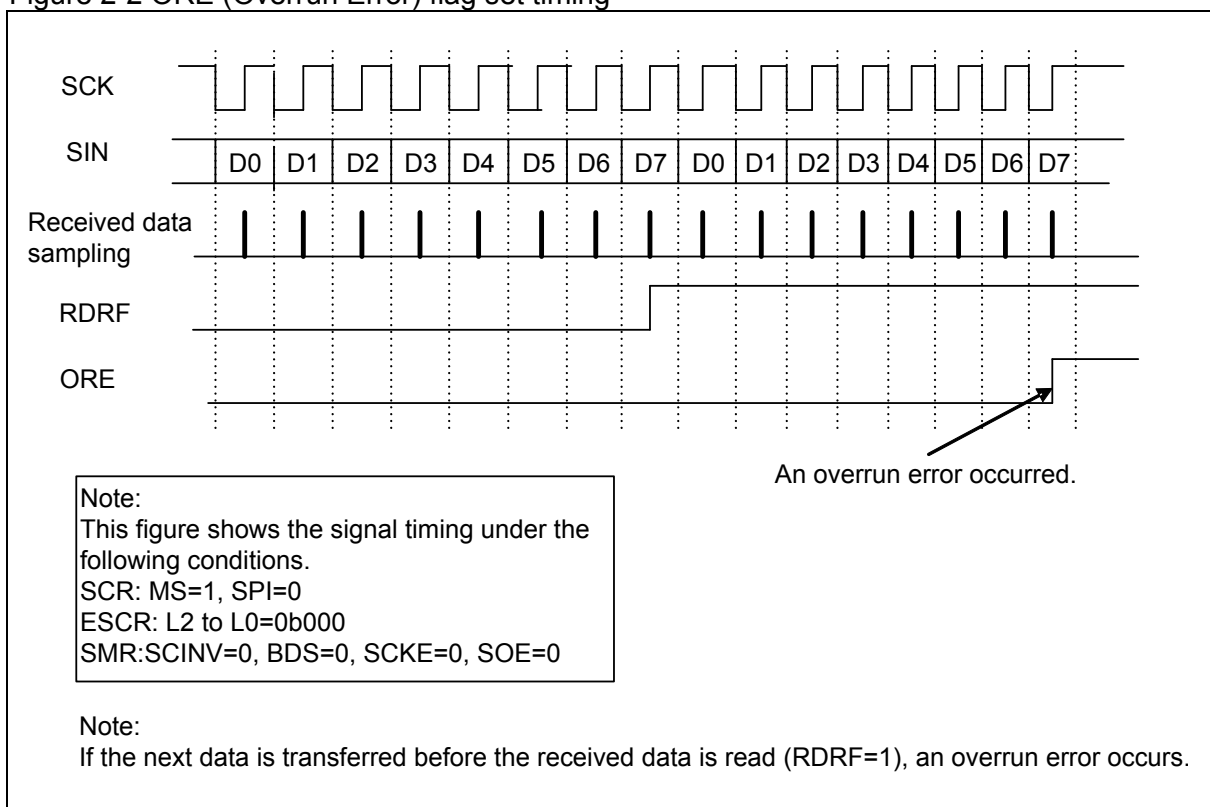


Figure 2-2 ORE (Overrun Error) flag set timing



2.2. Interrupt and flag set timing when received FIFO is used

If received FIFO is used, an interrupt occurs when the FBYTE data (preset for the FBYTE register (FBYTE)) is received.

■ Received interrupt and flag set timing when received FIFO is used

If received FIFO is used, an interrupt occurs depending on the value set for the FBYTE register.

- When the amount of data set for transfer count in the FBYTE register is received, the received data full flag bit (SSR:RDRF) of the Serial Status Register is set to "1". If a received interrupt (SCR:RIE) is enabled during this time, a received interrupt occurs.
- If the following two conditions are satisfied and if the received idle state continues for more than 8 baud rate clocks, the received data full flag bit (RDRF) is set to "1".
 - The received FIFO idle detect enable bit (FRIIE) is "1".
 - The number of data sets stored in the received FIFO does not reach the transfer count.

If the RDR data is read during counting of 8 clocks, this counter is reset to "0", and counting for 8 clocks is restarted. If received FIFO is disabled, this counter is reset to "0". If data remains in the received FIFO and if received FIFO is enabled, the data counting is restarted.

- When the received data (RDR) is all read and received FIFO is emptied, the received data full flag (SSR:RDRF) is cleared.
- If the display of the valid received data amount is the same as the FIFO capacity and if the next data is received, an overrun error (SSR:ORE=1) occurs.

Figure 2-3 Received interrupt occurrence timing when received FIFO is used

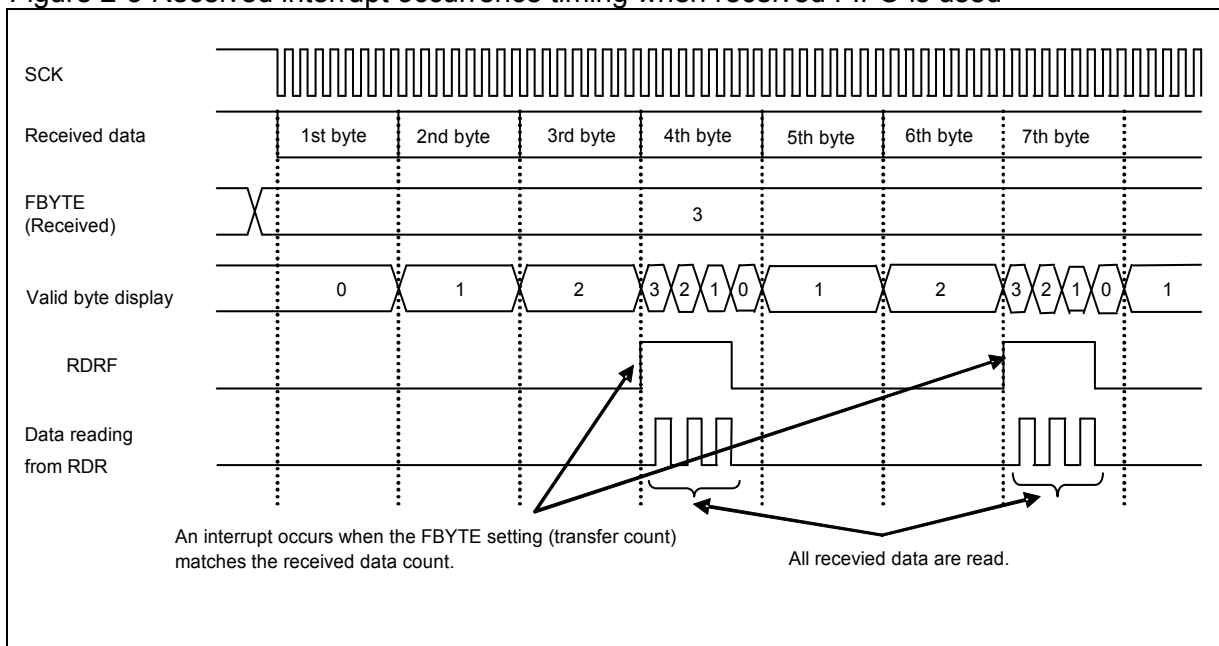
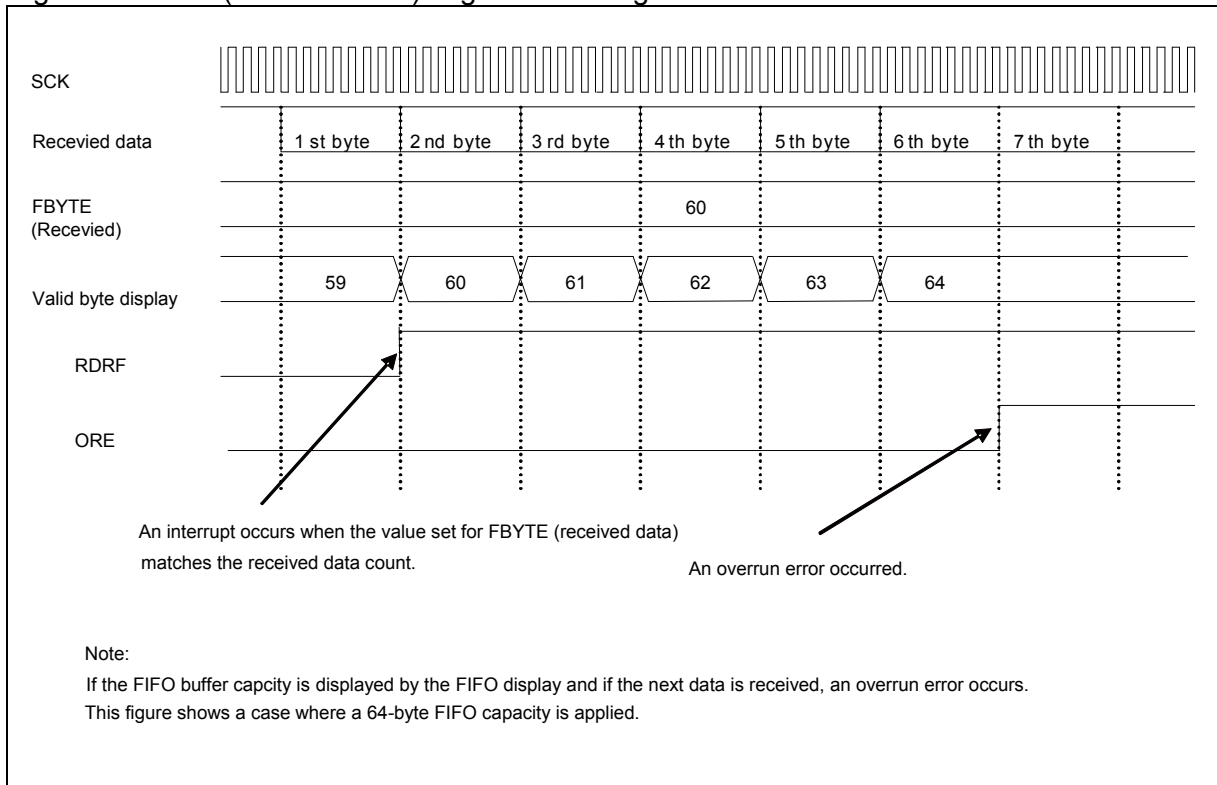


Figure 2-4 ORE (Overrun Error) flag bit set timing



2.3. Transmit interrupt and flag set timing

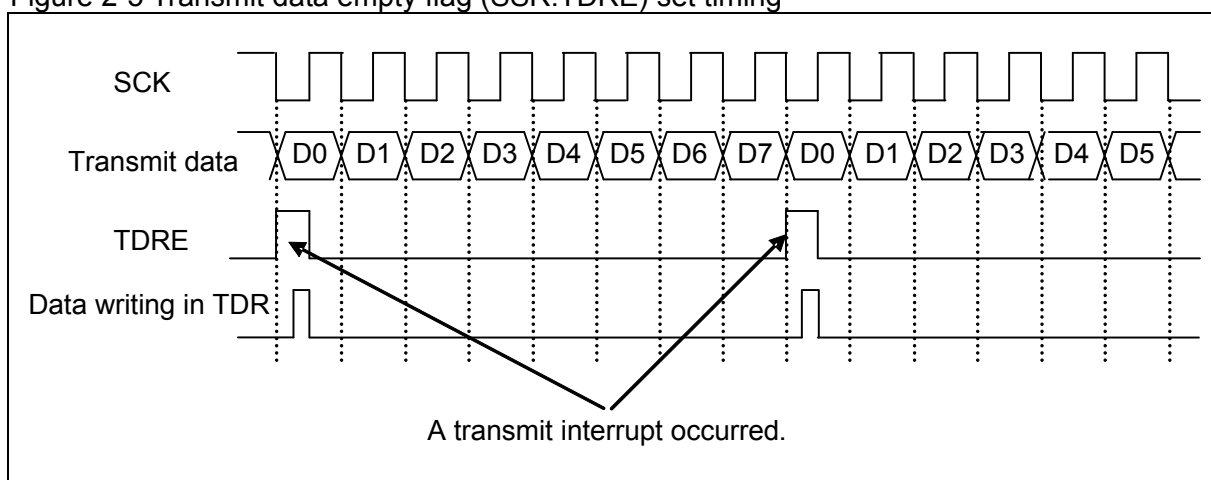
A transmit interrupt occurs if transmit data is transferred from the Transmit Data Register (TDR) to the transmit shift register (SSR:TDRE=1) and the data transmission is started, or if no data is transmitted (SSR:TBI=1).

■ Transmit interrupt and flag set timing

● Transmit data empty flag (SSR:TDRE) set timing

After data has been transferred from the Transmit Data Register (TDR) to the transmit shift register, the next data can be written in the TDR (SSR:TDRE=1). If a transmit interrupt is enabled (SCR:TIE=1) during this time, a transmit interrupt occurs. As the SSR:TDRE bit is read only, the SSR:TDRE bit is cleared to "0" when data is written to the Transmit Data Register (TDR).

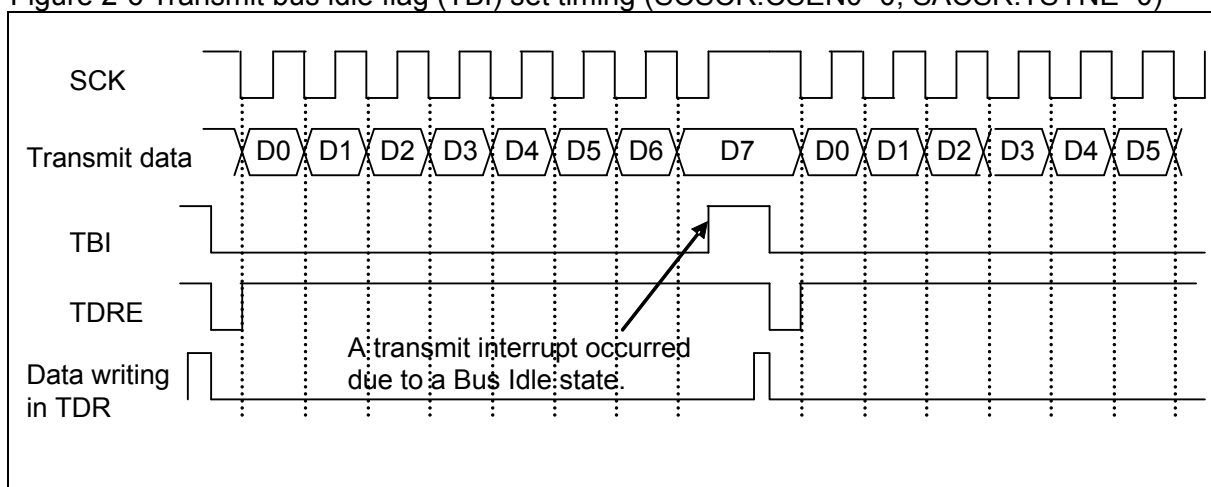
Figure 2-5 Transmit data empty flag (SSR:TDRE) set timing



● Transmit bus idle flag (SSR:TBI) set timing

If the Transmit Data Register is empty (SSR:TDRE=1) and no data is transmitted, the SSR:TBI bit is set to "1". If a transmit bus idle interrupt is enabled (SCR:TBIE=1) during this time, a transmit interrupt occurs. When transmit data is written to the Transmit Data Register (TDR), both the SSR:TBI bit and the transmit interrupt request are cleared.

Figure 2-6 Transmit bus idle flag (TBI) set timing (SCSCR:CSEN0=0, SACSRS:TSYNE=0)



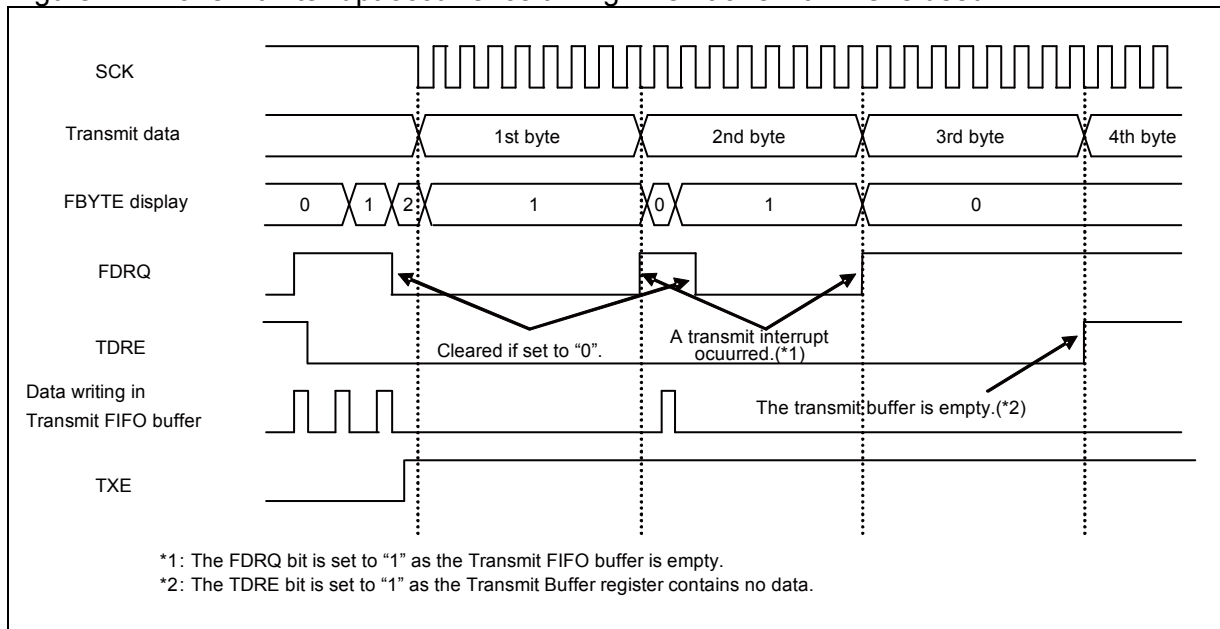
2.4. Interrupt and flag set timing when transmit FIFO is used

When transmit FIFO is used, an interrupt occurs if the buffer contains no data.

■ Transmit interrupt and flag set timing when transmit FIFO is used

- If transmit FIFO contains no data, the FIFO transmit data request bit (FCR1:FDRQ) is set to "1".
 If a FIFO transmit interrupt is enabled (FCR1:FTIE=1) during this time, a transmit interrupt occurs.
- If you have written the required data in transmit FIFO after occurrence of a transmit interrupt, clear the interrupt request by setting the FIFO transmit data request bit (FCR1:FDRQ) to "0".
- When transmit FIFO is filled with data, the FIFO transmit data request bit (FCR1:FDRQ) is set to "0".
- You can check a presence of data in transmit FIFO by reading the FIFO Byte Register (FBYTE).
 If FBYTE=0x00, no data exists in transmit FIFO.

Figure 2-7 Transmit interrupt occurrence timing when transmit FIFO is used



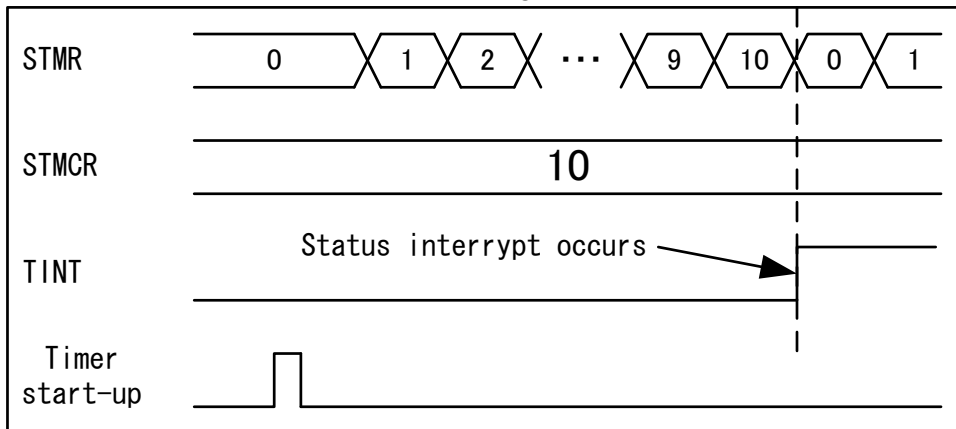
2.5. Timer Interrupt Occurrence and Flag Setting Timing

Timer interrupt occurs when the values of the Serial Timer Register (STMR) and The Serial Timer Comparison Register (STMCR) match.

■ Timer Interrupt Occurrence and Flag Setting Timing

- When the values of the Serial Timer Register (STMR) and the Serial Timer Comparison Register (STMCR) match, the Timer Interrupt Flag (SACSR:TINT) is set to “1”.
At this time, when the Timer Interrupt is enabled (SACSR:TINTE=1), the Status Interrupt occurs.

Figure 2-8 Timer Interrupt Occurrence Timing



2.6. Chip Select Error Occurrence and Flag Setting Timing

In Master mode (SCR:MS=0), the Chip Select Error occurs when only the data of the frame count not greater than the TBYTE set value is transmitted and no valid data exists in the Transmit Data Register (TDR). Moreover, the Chip Select Error occurs at transmitting in Slave Mode Operation (SCR:MS=1) when Serial Chip Select pin becomes inactive.

■ Chip Select Error Occurrence and Flag Setting Timing

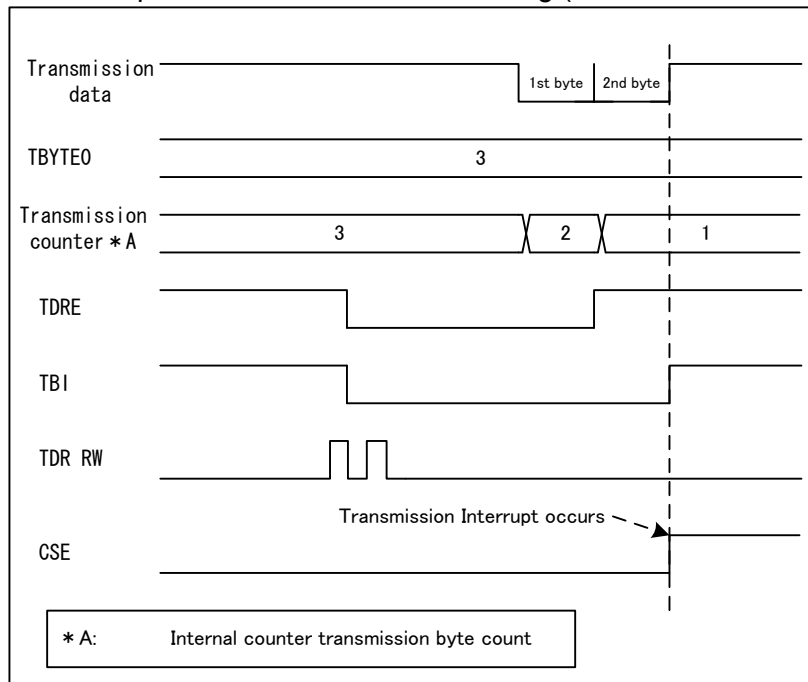
● Master Mode (SCR:MS=0)

The Chip Select Error occurs when the Transmit Byte Error is enabled (TBEEN=1) and no valid data exists in the Transmit Data Register (TDR) before the data frame of TBYTE set value (SSR:TDRE=1) If the one of the following conditions meets:

- When the Chip Select is used
- When the synchronous transmission with the Serial Timer is used.

At this time, when the Chip Select Error Interrupt is enabled (SACSR:CSEIE=1), the transmit error occurs.

Figure 2-9 Chip Select Error Occurrence Timing (SCSCR:CSEN0=0, SACSR:TSYNE=1)



<Notes>

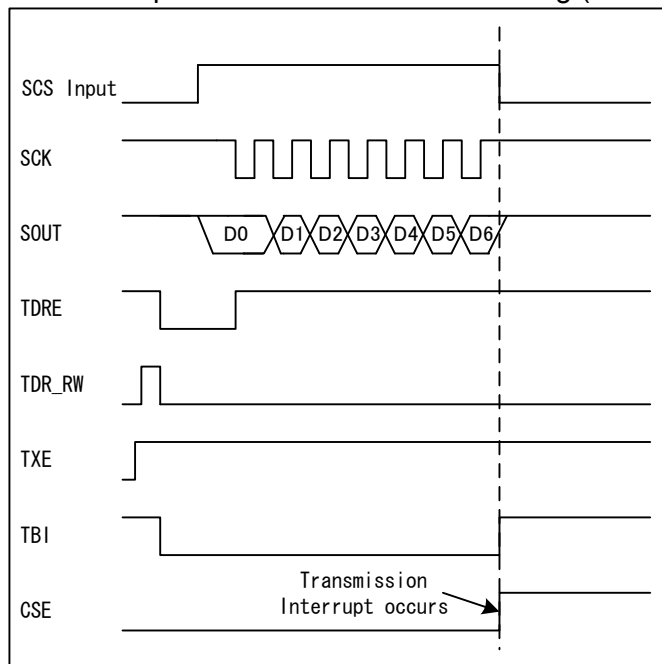
- When the Serial Chip Select is used, the Chip Select Error Flag (SACSR:CSE) is set to "1" after the elapse of Deselect Time from the chip Select Error occurrence. Moreover, when the transmit data is written to the Transmit Data Register (TDR) in the Hold Delay Time, the transmission operation does not start and the Chip Select Error Flag (SACSR:CSE) is set to "1" after the elapse of the Deselect Time.
- When the Chip Select Error Flag (SACSR:CSE) is set to "1", the transmission operation does not start even if the transmit data is written to the Transmit Data Register (TDR).
- While using the Synchronous Transmission, when the Chip Select Error Flag (SACSR:CSE) is set to "1", the transmission operation does not start even if the following condition is met:
 - At the transmission in synchronization with serial timer, the Real Timer Register (STMR) and the Serial Timer Comparison Register match.

● **Slave Mode (SCR:MS=1)**

The Chip Select Error occurs when the Serial Chip Select pin becomes inactive while transmitting (SSR:TBI=1).

At this time, if the the Chip Select Error Interrupt is enabled (SACSR:CSEIE=1), the Ttranmission Interrupt occurs.

Figure 2-10 Chip Select Error Ocurrence Timing (CSLVL=0, SCR:SPI=0)



3. CSIO (Clock Synchronous Serial Interface) operations

The clock synchronous data transfer is used.

3.1. Normal transfer (I)

■ Features

	Item	Description
1	Serial clock (SCK) signal mark level	"HIGH"
2	Transmit data output timing	SCK signal falling edge
3	Received data sampling	SCK signal rising edge
4	Data length	5 bits to 16 bits

■ Register settings

The register values required for normal transfer (I) are listed on the table below.

Table 3-1 Normal transfer (I) register settings

	bit15	bit14	bit13	bit12	bit11	bit10	bit9	bit8	bit7	bit6	bit5	bit4	bit3	bit2	bit1	bit0
SCR/ SMR	UPCL	MS	SPI	RIE	TIE	TBIE	RXE	TXE	MD2	MD1	MD0	-	SCINV	BDS	SCKE	SOE
	0	1/0	0	*	*	*	*	*	0	1	0	0	0	*	1/0	*
SSR/ ESCR	REC	-	-	AWC	ORE	RDRF	TDRE	TBI	SOP	L3	-	WT1	WT0	L2	L1	L0
	0	-	-	*	-	-	-	-	0	*	-	*	*	*	*	*
TDR1/0 RDR1/0	D15	D14	D13	D12	D11	D10	D9	D8	D7	D6	D5	D4	D3	D2	D1	D0
	*	*	*	*	*	*	*	*	*	*	*	*	*	*	*	*
TDR3/2 RDR3/2	D31	D30	D29	D28	D27	D26	D25	D24	D23	D22	D21	D20	D19	D18	D17	D16
	*	*	*	*	*	*	*	*	*	*	*	*	*	*	*	*
BGR1/ BGR0	-	B14	B13	B12	B11	B10	B9	B8	B7	B6	B5	B4	B3	B2	B1	B0
	-	*	*	*	*	*	*	*	*	*	*	*	*	*	*	*

1 : Set to "1".

0 : Set to "0".

* : User-dependent values

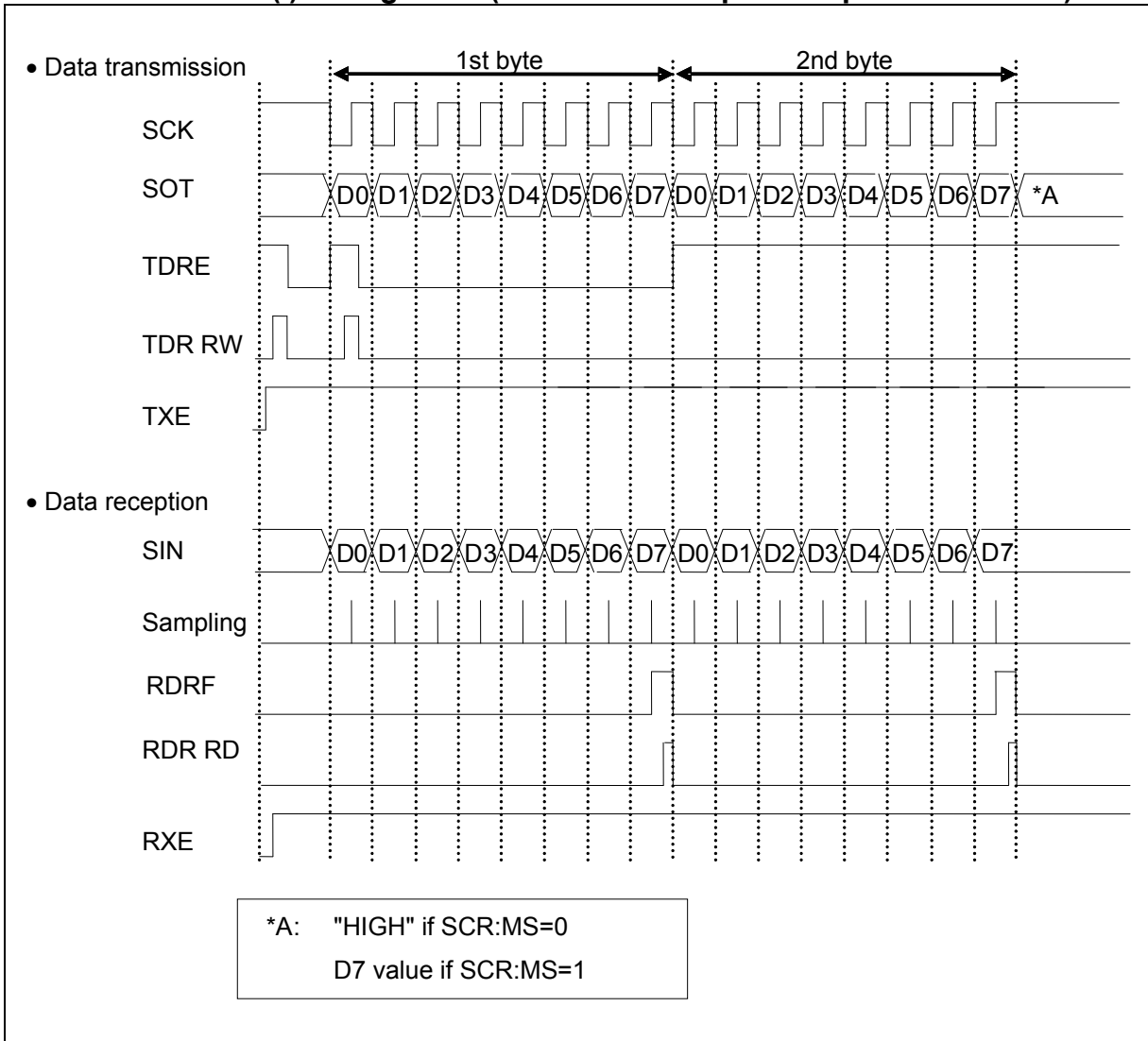
<Note>

The above bit setting (1/0) varies depending on the master or slave mode operation. Set as follows.

- During master mode operation: SCR:MS=0, SMR:SCKE=1

- During slave mode operation: SCR:MS=1, SMR:SCKE=0

■ Normal transfer (I) timing chart (When serial chip select pin is not used.)



■ Master mode operation (SCR:MS=0, SMR:SCKE=1)

● Data transmission

1. If serial data output is enabled (SMR:SOE=1), data transmission is enabled (SCR:TXE=1) and data reception is disabled (SCR:RXE=0), and when the transmit data is written in the TDR, the SSR:TDRE bit is set to "0". This causes the transmit data to be output in synchronization with a falling edge of the serial clock (SCK) output.
2. When the transmit data of the first bit is output, the SSR:TDRE bit is set to "1". Therefore, if the transmit interrupt is enabled (SCR:TIE=1), a transmit interrupt request is output. During this time, the transmit data of the 2nd byte can be written in the register.

● Data reception

1. If the serial data output is disabled (SMR:SOE=0), data transmission is enabled (SCR:TXE=1) and data reception is enabled (SCR:RXE=1), and when a dummy data is written in the TDR, the received data is sampled at a rising edge of serial clock (SCK) output.
2. When the last bit is received, the SSR:RDRF bit is set to "1". If a received interrupt is enabled (SCR:RIE=1) during this time, a received interrupt request is output. The received data (RDR) can be read during this time.
3. When the received data (RDR) is read, the SSR:RDRF bit is cleared to "0".

<Notes>

- To perform data reception only, write a dummy data in the TDR so that the serial clock (SCK) is output.
 - If the FIFO transmission and reception are enabled, the serial clocks (SCK) for the preset number of frames are output when the frames to be transferred are set in the FBYTE register.
-

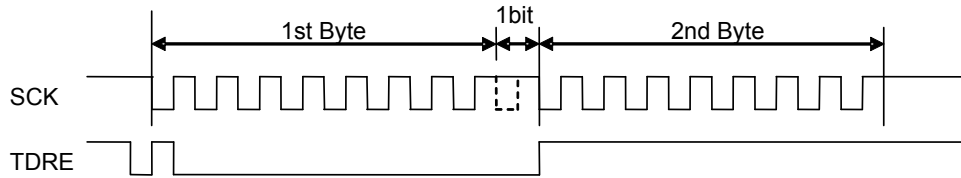
● Data transmission and reception

1. To perform data transmission and reception simultaneously, enable the serial data output (SMR:SOE=1) and enable the data transmission and reception (SCR:TXE, RXE=1).
2. When the transmit data is written in the TDR, the SSR:TDRE bit is set to "0" and the transmit data is output in synchronization with a falling edge of the serial clock (SCK) output. When the transmit data of the first bit is output, the SSR:TDRE bit is set to "1". If a transmit interrupt is enabled (SCR:TIE=1), a transmit interrupt request is output. During this time, the transmit data of the 2nd byte can be written in the register.
3. The received data is sampled at a rising edge of the serial clock (SCK) output. When the last bit of received data is received, the SSR:RDRF bit is set to "1". If a received interrupt is enabled (SCR:RIE=1), a received interrupt request is output. The received data (RDR) can be read during this time. When the received data is read, the SSR:RDRF bit is cleared to "0".

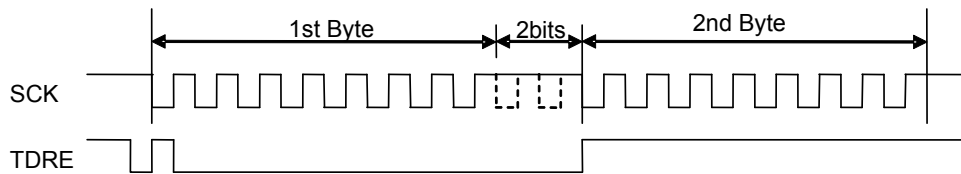
● **Continuous data transmit or reception waiting**

If anything other than ESCR:WT1, ESCR:WT0=00 is set for the continuous data transmission or reception, a wait is inserted between frames.

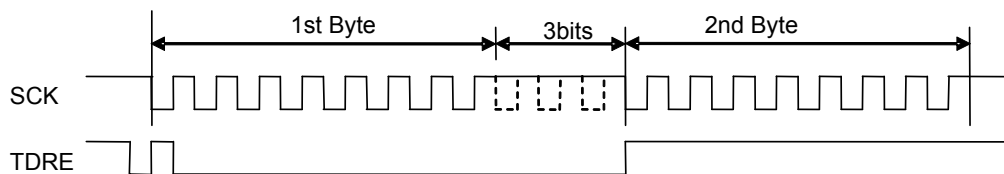
- ESCR:WT1, ESCR:WT0=01 (in master mode operation)



- ESCR:WT1, ESCR:WT0=10 (in master mode operation)



- ESCR:WT1, ESCR:WT0=11 (in master mode operation)



■ **Slave mode operation (SCR:MS=1, SMR:SCKE=0)**

● **Data transmission**

1. If serial data output is enabled (SMR:SOE=1) and data transmission is enabled (SCR:TXE=1) and when the transmit data is written in the TDR, the SSR:TDRE bit is set to "0". This causes the transmit data to be output in synchronization with a falling edge of the serial clock (SCK) input.
2. When the transmit data of the first bit is output, the SSR:TDRE bit is set to "1". If a transmit interrupt is enabled (SCR:TIE=1), a transmit interrupt request is output. During this time, the transmit data of the 2nd byte can be written in the register.

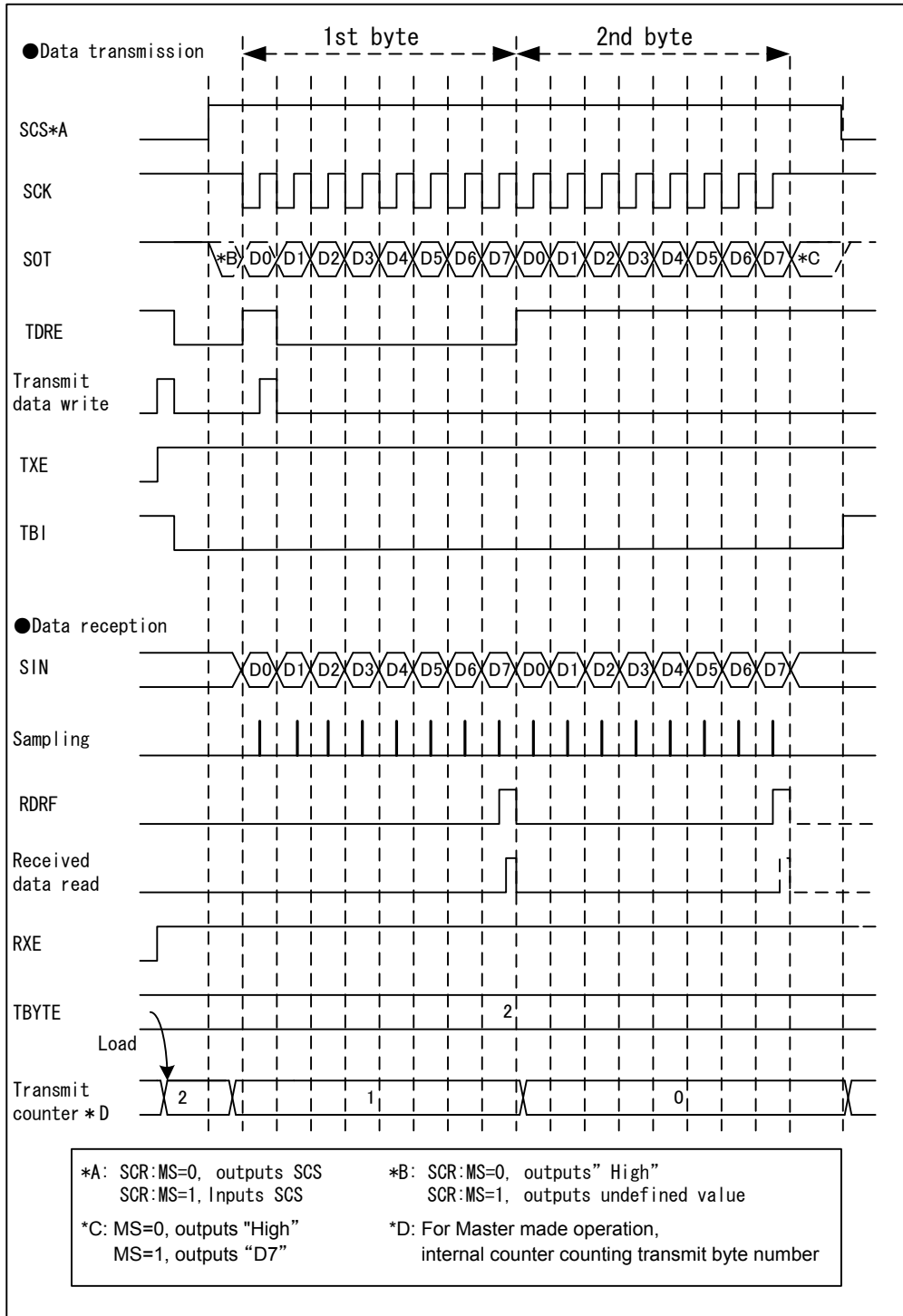
● **Data reception**

1. If the serial data output is disabled (SMR:SOE=0) and data reception is enabled (SCR:RXE=1), the received data is sampled at a rising edge of serial clock (SCK) input.
2. When the last bit is received, the SSR:RDRF bit is set to "1". If a received interrupt is enabled (SCR:RIE=1), a received interrupt request is output. The received data (RDR) can be read during this time.
3. When the received data (RDR) is read, the SSR:RDRF bit is cleared to "0".

● **Data transmission and reception**

1. To perform data transmission and reception simultaneously, enable the serial data output (SMR:SOE=1) and enable the data transmission and reception (SCR:TXE, RXE=1).
2. When the transmit data is written in the TDR, the SSR:TDRE bit is set to "0" and the transmit data is output in synchronization with a falling edge of the serial clock (SCK) input. When the transmit data of the first bit is output, the SSR:TDRE bit is set to "1". If a transmit interrupt is enabled (SCR:TIE=1), a transmit interrupt request is output. During this time, the transmit data of the 2nd byte can be written in the register.
3. The received data is sampled at a rising edge of the serial clock (SCK) input. When the last bit of received data is received, the SSR:RDRF bit is set to "1". If the received interrupt is enabled (SCR:RIE=1), a received interrupt request is output. The received data (RDR) can be read during this time. When the received data is read, the SSR:RDRF bit is cleared to "0".

■ Normal transmission (I) Timing Chart (When Serial Chip Select pin is used)



■ **Master mode operation (SCR:MS=0, SMR:SCKE=1, SCSCR:CSEO=1, SCSCR:CSEn*=1)**

*: "n" is the number of the serial chip select pin used

● **Data Transmission**

1. If serial data output is enabled (SMR:SOE=1), data transmission is enabled (SCR:TXE=1), and data reception is disabled (SCR:RXE=0) and when the transmit data is written in the TDR, the SSR:TDRE bit is set to "0". And then, the Serial Chip Select pin (SCS) becomes active and the serial clock output is started after the elapse of the setup time of the Serial Chip Select pin. After starting the Serial Clock output, this causes the transmit data to be output in synchronization with a falling edge of the serial clock (SCK) output.
2. When the transmit data of the first bit is output, the SSR:TDRE bit is set to "1". If a transmit interrupt is enabled (SCR:TIE=1), a transmit interrupt request is output. During this time, the transmit data of the 2nd byte can be written in the register.
3. After completing the times of the data transmission specified with TBYTE, the serial clock stops.
4. After the elapse of the hold time of the Serial Chip Select pin following the Serial Clock stop, the Serial Chip Select pin (SCS) becomes inactive. However, if the Serial Chip Select Active Level is held (SCSCR:SCAM=1), the Serial Chip Select pin (SCS) holds the active state.

● **Data Reception**

1. If the serial data output is disabled (SMR:SOE=0), data transmission is enabled (SCR:TXE=1), data reception is enabled (SCR:RXE=1), and a dummy data is written to TDR, the Serial Chip Select pin (SCS) becomes active and the serial clock output is started after the elapse of the setup time of the Serial Chip Select pin. After starting the Serial Clock output, the received data is sampled at a rising edge of serial clock (SCK) output.
2. When the last bit is received, the SSR:RDRF bit is set to "1". If a received interrupt is enabled (SCR:RIE=1), a received interrupt request is output. The received data (RDR) can be read during this time.
3. When the received data (RDR) is read, the SSR:RDRF bit is cleared to "0".
4. After the data reception is completed for the time specified with TBYTE, the serial clock is stopped.
5. After the serial clock is stopped, the Serial Chip Select pin (SCS) becomes inactive after the elapse of the hold time of the Serial Chip Select pin. However, if the Serial Chip Select Active Level is held (SCSCR:SCAM=1), the Serial Chip Select pin (SCS) holds the active state.

<Notes>

To perform only the data reception, write a dummy data to TDR in order to output the Serial Clock (SCS).

● **Data transmission and reception**

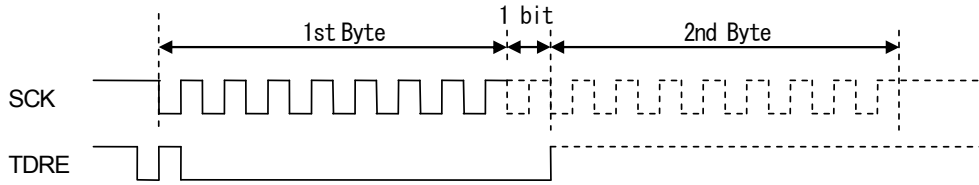
1. To perform data transmission and reception simultaneously, enable the serial data output (SMR:SOE=1) and enable the data transmission and reception (SCR:TXE, RXE=1).
2. When the transmit data is written in the TDR, the SSR:TDRE bit is set to "0". Then, the Serial Chip Select pin (SCS) becomes active and the serial clock output is started after the elapse of the setup time of the Serial Chip Select pin. After starting the Serial Clock output, the transmit data is output in synchronization with a falling edge of the serial clock (SCK) output. When the transmit data of the first bit is output, the SSR:TDRE bit is set to "1". If a transmit interrupt is enabled (SCR:TIE=1), a transmit interrupt request is output. During this time, the transmit data of the 2nd byte can be written in the register.
3. The received data is sampled at a rising edge of the serial clock (SCK) output during the data transmission and reception. When the last bit of received data is received, the SSR:RDRF bit is set to "1". If the received interrupt is enabled (SCR:RIE=1), a received interrupt request is output. The received data (RDR) can be read during this time. When the received data is read, the SSR:RDRF bit is cleared to "0".
4. After the data reception and transmission are completed for the time specified with TBYTE, the serial clock is stopped.

5. After the serial clock is stopped, the Serial Chip Select pin (SCS) becomes inactive after the elapse of the hold time of the Serial Chip Select pin. However, if the Serial Chip Select Active Level is held (SCSCR:SCAM=1), the Serial Chip Select pin (SCS) holds the active state.

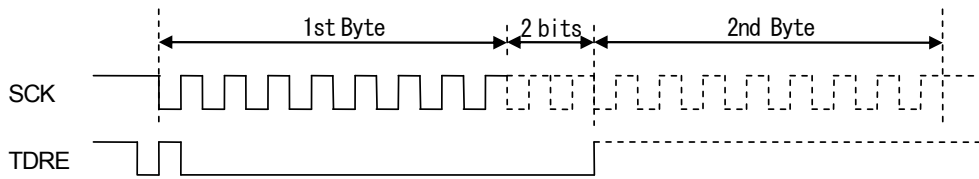
● **Continuous Data Transmit or Reception Waiting**

If anything other than ESCR:WT1, ESCR:WT0=00 is set for the continuous data transmission or reception, a wait is inserted between frames.

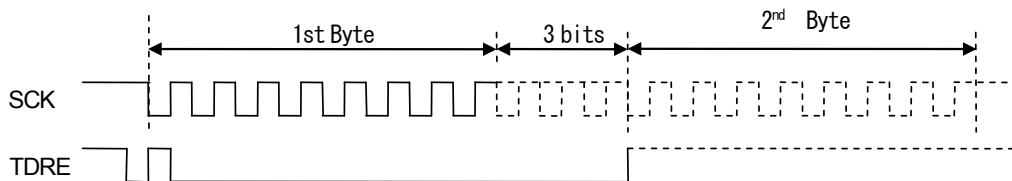
■ ESCR:WT1=0, ESCR:WT0=1(in master mode operation)



■ ESCR:WT1=1, ESCR:WT0=0(in master mode operation)



■ ESCR:WT1=1, ESCR:WT0=1(in master mode operation)



■ **Slave mode operation(SCR:MS=1, SMR:SCKE=0, SCSCR:CSEN0=1, SCSCR:CSE0=0, SCSCR:SCAM=0)**

● **Data Transmission**

1. If serial data output is enabled (SMR:SOE=1) and data transmission is enabled (SCR:TXE=1) and when the transmit data is written in the TDR, the SSR:TDRE bit is set to "0".
2. When the Serial Chip Select pin (SCS) becomes active, the transmission operation is started and the transmit data is output in synchronization with the falling edge of serial clock (SCK) input.
3. When the transmit data of the first bit is output, the SSR:TDRE bit is set to "1". If a transmit interrupt is enabled (SCR:TIE=1), a transmit interrupt request is output. During this time, the transmit data of the 2nd byte can be written in the register.
4. When the Serial Chip Select pin (SCS) becomes inactive, the transmission operation is stopped and the serial output pin (SOT) becomes "High".

● **Data Reception**

1. If the serial data output is disabled (SMR:SOE=0), data reception is enabled (SCR:RXE=1), and the serial chip select pin (SCS) becomes active, the data reception is started and the received data is sampled at a rising edge of serial clock (SCK) input.
2. When the last bit is received, the SSR:RDRF bit is set to "1". If a received interrupt is enabled (SCR:RIE=1), a received interrupt request is output.
3. The received data (RDR) can be read during this time.
4. When the received data (RDR) is read, the SSR:RDRF bit is cleared to "0".
5. When the serial chip select pin (SCS) becomes inactive, the data reception is stopped.

● **Data Reception and Transmission**

1. To perform data transmission and reception simultaneously, enable the serial data output (SMR:SOE=1) and enable the data transmission and reception (SCR:TXE, RXE=1).
2. When the transmit data is written in the TDR, the SSR:TDRE bit is set to "0" and the transmit data is output in synchronization with a falling edge of the serial clock (SCK) input. When the transmit data of the first bit is output, the SSR:TDRE bit is set to "1". If a transmit interrupt is enabled (SCR:TIE=1), a transmit interrupt request is output. During this time, the transmit data of the 2nd byte can be written in the register.
3. During the data reception and transmission, the received data is sampled at a rising edge of the serial clock (SCK) input. When the last bit of received data is received, the SSR:RDRF bit is set to "1". If the received interrupt is enabled (SCR:RIE=1), a received interrupt request is output. The received data (RDR) can be read during this time. When the received data is read, the SSR:RDRF bit is cleared to "0".
4. When the serial chip select pin (SCS) becomes inactive, the data reception and transmission is stopped and the serial output pin (SOT) becomes "High".

3.2. Normal transfer (II)

■ Features

	Item	Description
1	Serial clock (SCK) signal mark level	"LOW"
2	Transmit data output timing	SCK signal rising edge
3	Received data sampling	SCK signal falling edge
4	Data length	5 bits to 16 bits

■ Register settings

The register values required for normal transfer (II) are listed on the table below.

Table 3-2 Normal transfer (II) register settings

	bit15	bit14	bit13	bit12	bit11	bit10	bit9	bit8	bit7	bit6	bit5	bit4	bit3	bit2	bit1	bit0
SCR/ SMR1	UPCL	MS	SPI	RIE	TIE	TBIE	RXE	TXE	MD2	MD1	MD0	-	SCINV	BDS	SCKE	SOE
	0	1/0	0	*	*	*	*	*	0	1	0	0	1	*	1/0	*
SSR/ ESCR	REC	-	-	AWC	ORE	RDRF	TDRE	TBI	SOP	L3	-	WT1	WT0	L2	L1	L0
	0	-	-	*	-	-	-	-	0	*	-	*	*	*	*	*
TDR1/0 RDR1/0	D15	D14	D13	D12	D11	D10	D9	D8	D7	D6	D5	D4	D3	D2	D1	D0
	*	*	*	*	*	*	*	*	*	*	*	*	*	*	*	*
TDR3/2 RDR3/2	D31	D30	D29	D28	D27	D26	D25	D24	D23	D22	D21	D20	D19	D18	D17	D16
	*	*	*	*	*	*	*	*	*	*	*	*	*	*	*	*
BGR1/ BGR0	-	B14	B13	B12	B11	B10	B9	B8	B7	B6	B5	B4	B3	B2	B1	B0
	-	*	*	*	*	*	*	*	*	*	*	*	*	*	*	*

1 : Set to "1".

0 : Set to "0".

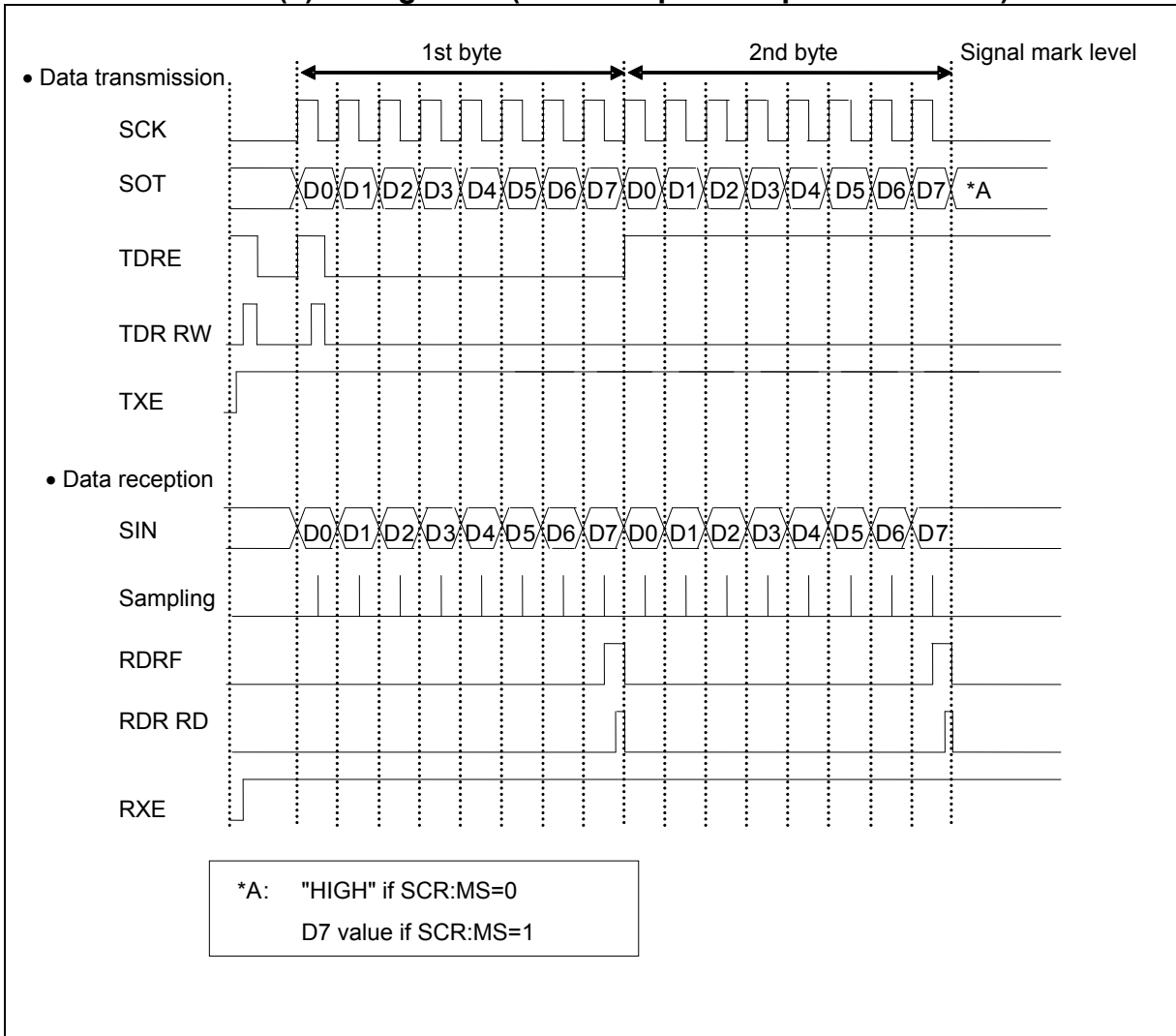
* : User-dependent values

<Note>

The above bit setting (1/0) varies depending on the master or slave mode operation. Set as follows.

- During master mode operation: SCR:MS=0, SMR:SCKE=1
- During slave mode operation: SCR:MS=1, SMR:SCKE=0

■ Normal transfer (II) timing chart (Serial chip select pin is not used)



■ Master mode operation (SCR:MS=0, SMR:SCKE=1)

● Data transmission

1. If serial data output is enabled (SMR:SOE=1), data transmission is enabled (SCR:TXE=1) and data reception is disabled (SCR:RXE=0), and when the transmit data is written in the TDR, the SSR:TDRE bit is set to "0". This causes the transmit data to be output in synchronization with a rising edge of the serial clock (SCK) output.
2. When the transmit data of the first bit is output, the SSR:TDRE bit is set to "1". Therefore, if the transmit interrupt is enabled (SCR:TIE=1), a transmit interrupt request is output. During this time, the transmit data of the 2nd byte can be written in the register.

● Data reception

1. If the serial data output is disabled (SMR:SOE=0), data transmission is enabled (SCR:TXE=1) and data reception is enabled (SCR:RXE=1), and when a dummy data is written in the TDR, the received data is sampled at a falling edge of serial clock (SCK) output.
2. When the last bit is received, the SSR:RDRF bit is set to "1". If a received interrupt is enabled (SCR:RIE=1) during this time, a received interrupt request is output. The received data (RDR) can be read during this time.
3. When the received data (RDR) is read, the SSR:RDRF bit is cleared to "0".

<Notes>

- To perform data reception only, write a dummy data in the TDR so that the serial clock (SCK) is output.
 - If the FIFO transmission and reception are enabled, the serial clocks (SCK) for the preset number of frames are output when the frames to be transferred are set in the FBYTE register.
-

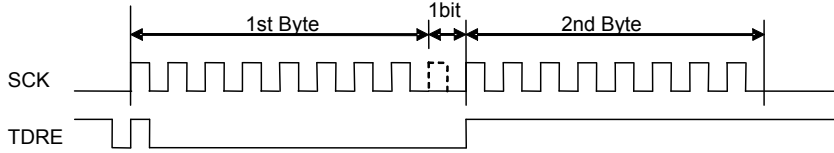
● Data transmission and reception

1. To perform data transmission and reception simultaneously, enable the serial data output (SMR:SOE=1) and enable the data transmission and reception (SCR:TXE, RXE=1).
2. When the transmit data is written in the TDR, the SSR:TDRE bit is set to "0" and the transmit data is output in synchronization with a rising edge of the serial clock (SCK) output. When the transmit data of the first bit is output, the SSR:TDRE bit is set to "1". If a transmit interrupt is enabled (SCR:TIE=1), a transmit interrupt request is output. During this time, the transmit data of the 2nd byte can be written in the register.
3. The received data is sampled at a falling edge of the serial clock (SCK) output. When the last bit of received data is received, the SSR:RDRF bit is set to "1". If a received interrupt is enabled (SCR:RIE=1), a received interrupt request is output. The received data (RDR) can be read during this time. When the received data is read, the SSR:RDRF bit is cleared to "0".

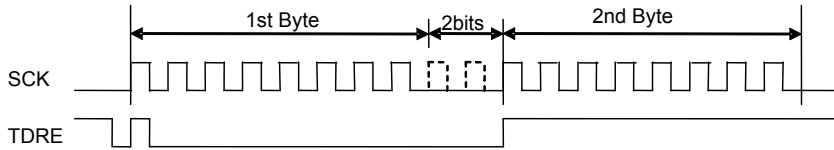
● **Continuous data transmit or reception waiting**

If anything other than ESCR:WT1, ESCR:WT0=00 is set for the continuous data transmission or reception, a wait is inserted between frames.

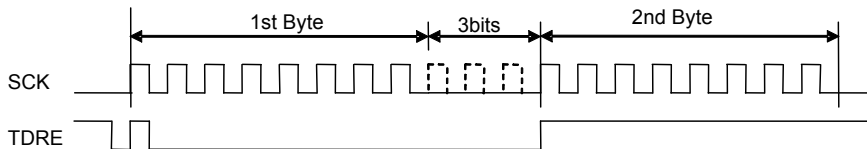
- ESCR:WT1, ESCR:WT0=01 (in master mode operation)



- ESCR:WT1, ESCR:WT0=10 (in master mode operation)



- ESCR:WT1, ESCR:WT0=11 (in master mode operation)



■ **Slave mode operation (SCR:MS=1, SMR:SCKE=0)**

● **Data transmission**

1. If serial data output is enabled (SMR:SOE=1) and data transmission is enabled (SCR:TXE=1) and when the transmit data is written in the TDR, the SSR:TDRE bit is set to "0". This causes the transmit data to be output in synchronization with a rising edge of the serial clock (SCK) input.
2. When the transmit data of the first bit is output, the SSR:TDRE bit is set to "1". If a transmit interrupt is enabled (SCR:TIE=1), a transmit interrupt request is output. During this time, the transmit data of the 2nd byte can be written in the register.

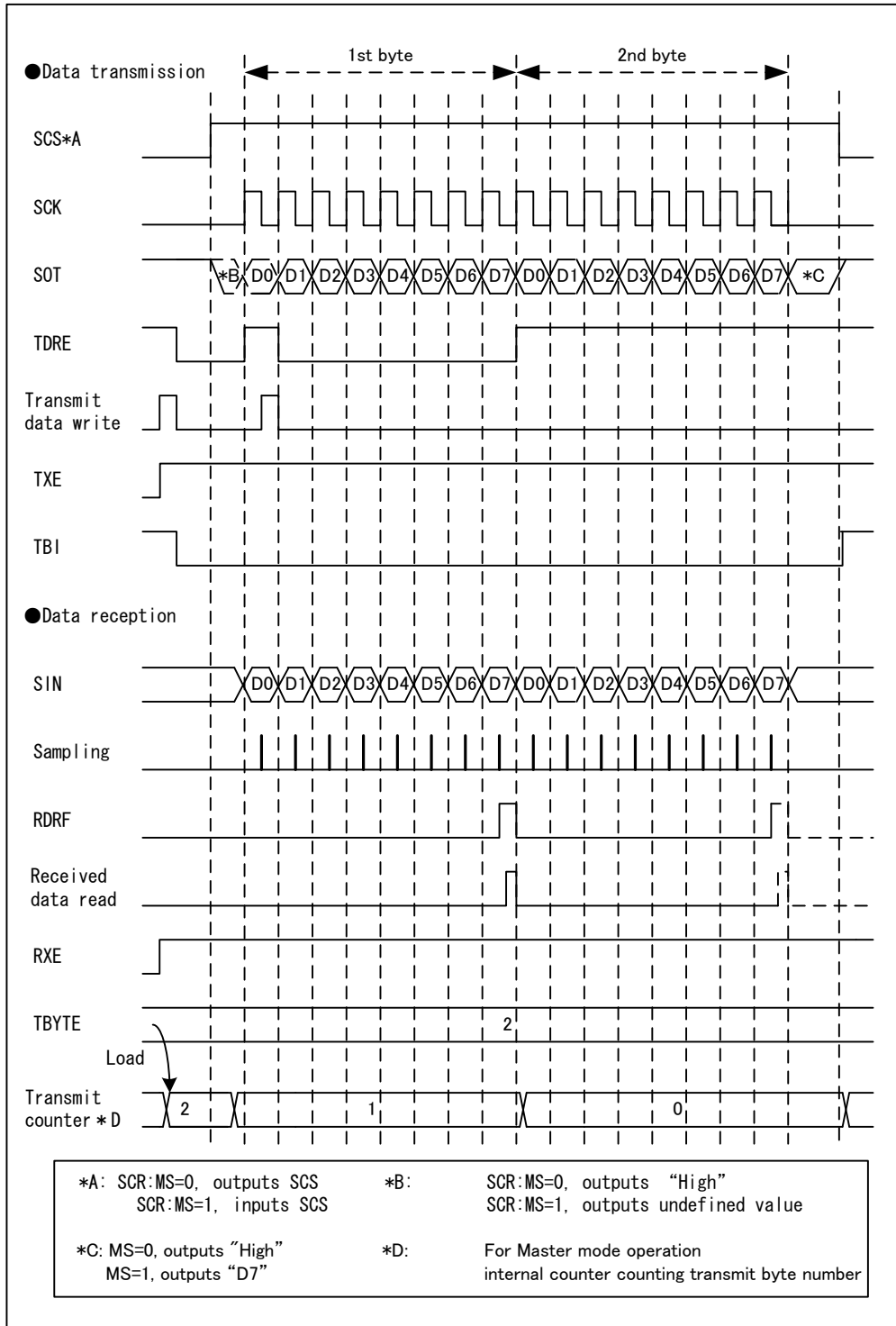
● **Data reception**

1. If the serial data output is disabled (SMR:SOE=0) and data reception is enabled (SCR:RXE=1), the received data is sampled at a falling edge of serial clock (SCK) input.
2. When the last bit is received, the SSR:RDRF bit is set to "1". If a received interrupt is enabled (SCR:RIE=1), a received interrupt request is output. The received data (RDR) can be read during this time.
3. When the received data (RDR) is read, the SSR:RDRF bit is cleared to "0".

● **Data transmission and reception**

1. To perform data transmission and reception simultaneously, enable the serial data output (SMR:SOE=1) and enable the data transmission and reception (SCR:TXE, RXE=1).
2. When the transmit data is written in the TDR, the SSR:TDRE bit is set to "0" and the transmit data is output in synchronization with a rising edge of the serial clock (SCK) input. When the transmit data of the first bit is output, the SSR:TDRE bit is set to "1". If a transmit interrupt is enabled (SCR:TIE=1), a transmit interrupt request is output. During this time, the transmit data of the 2nd byte can be written in the register.
3. The received data is sampled at a falling edge of the serial clock (SCK) input. When the last bit of received data is received, the SSR:RDRF bit is set to "1". If the received interrupt is enabled (SCR:RIE=1), a received interrupt request is output. The received data (RDR) can be read during this time. When the received data is read, the SSR:RDRF bit is cleared to "0".

■ Normal transfer (II) timing chart (Serial chip select pin is used)



■ **Master mode operation (SCR:MS=0, SMR:SCKE=1, SCSCR:CSEO=1, SCSCR:CSEn*=1)**

*: "n" is the number of the serial chip select pin used

● **Data Transmission**

1. If serial data output is enabled (SMR:SOE=1), data transmission is enabled (SCR:TXE=1) and data reception is disabled (SCR:RXE=0), and when the transmit data is written in the TDR, the SSR:TDRE bit is set to "0". Then, the serial chip select pin (SCS) becomes active and then, the Serial Chip Select pin (SCS) becomes active and the serial clock output is started after the elapse of the setup time of the Serial Chip Select pin. After starting the Serial Clock output, this causes the transmit data to be output in synchronization with a rising edge of the serial clock (SCK) output.
2. When the transmit data of the first bit is output, the SSR:TDRE bit is set to "1". Therefore, if the transmit interrupt is enabled (SCR:TIE=1), a transmit interrupt request is output. During this time, the transmit data of the 2nd byte can be written in the register.
3. After completing the times of the data transmission specified with TBYTE, the serial clock is stopped.
4. After the elapse of the hold time of the Serial Chip Select pin following the Serial Clock stop, the Serial Chip Select pin (SCS) becomes inactive. However, if the Serial Chip Select Active Level is held (SCSCR:SCAM=1), the Serial Chip Select pin (SCS) holds the active state.

● **Data Reception**

1. If the serial data output is disabled (SMR:SOE=0), data transmission is enabled (SCR:TXE=1), data reception is enabled (SCR:RXE=1), and a dummy data is written to TDR, the Serial Chip Select pin (SCS) becomes active and the serial clock output is started after the elapse of the setup time of the Serial Chip Select pin. After starting the Serial Clock output, the received data is sampled at a falling edge of serial clock (SCK) output.
2. When the last bit is received, the SSR:RDRF bit is set to "1". If a received interrupt is enabled (SCR:RIE=1), a received interrupt request is output. The received data (RDR) can be read during this time.
3. When the received data (RDR) is read, the SSR:RDRF bit is cleared to "0".
4. After the data reception is completed for the time specified with TBYTE, the serial clock is stopped.
5. After the serial clock is stopped, the Serial Chip Select pin (SCS) becomes inactive after the elapse of the hold time of the Serial Chip Select pin. However, if the Serial Chip Select Active Level is held (SCSCR:SCAM=1), the Serial Chip Select pin (SCS) holds the active state.

<Notes>

- To perform data reception only, write a dummy data in the TDR so that the serial clock (SCK) is output.
 - If the FIFO transmission and reception are enabled, the serial clocks (SCK) for the preset number of frames are output when the frames to be transferred are set in the FBYTE register.
-

● **Data transmission and reception**

1. To perform data transmission and reception simultaneously, enable the serial data output (SMR:SOE=1) and enable the data transmission and reception (SCR:TXE, RXE=1).
2. When the transmit data is written in the TDR, the SSR:TDRE bit is set to "0". Then, the Serial Chip Select pin (SCS) becomes active and the serial clock output is started after the elapse of the setup time of the Serial Chip Select pin. After starting the Serial Clock output, the transmit data is output in synchronization with a rising edge of the serial clock (SCK) output. When the transmit data of the first bit is output, the SSR:TDRE bit is set to "1". If a transmit interrupt is enabled (SCR:TIE=1), a transmit interrupt request is output. During this time, the transmit data of the 2nd byte can be written in the register.
3. The received data is sampled at a falling edge of the serial clock (SCK) output during the data transmission and reception. When the last bit of received data is received, the SSR:RDRF bit is set to "1". If the received interrupt is enabled (SCR:RIE=1), a received interrupt request is output. The received data (RDR) can be read during this time. When the received data is read, the SSR:RDRF bit

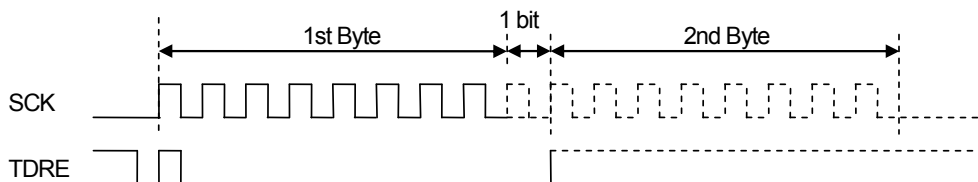
is cleared to "0".

4. After the data reception and transmission are completed for the time specified with TBYTE, the serial clock is stopped.
5. After the serial clock output is stopped, the Serial Chip Select pin (SCS) becomes inactive after the elapse of the hold time of the Serial Chip Select pin. However, if the Serial Chip Select Active Level is held (SCSCR:SCAM=1), the Serial Chip Select pin (SCS) holds the active state.

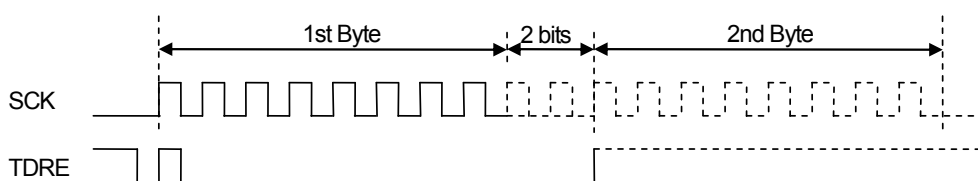
● **Continuous data transmit or reception waiting**

If anything other than ESCR:WT1, ESCR:WT0=00 is set for the continuous data transmission or reception, a wait is inserted between frames.

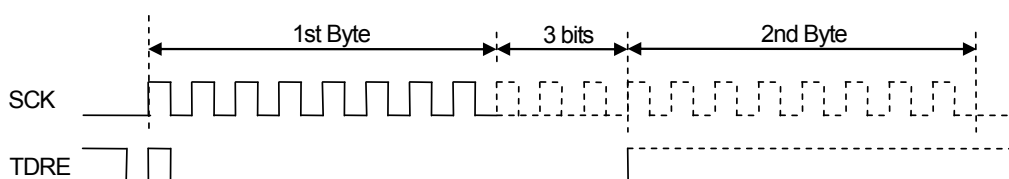
■ ESCR.WT1=0, ESCR.WT0=1(in master mode operation)



■ ESCR.WT1=1, ESCR.WT0=0(in master mode operation)



■ ESCR.WT1=1, ESCR.WT0=1(in master mode)



■ **Slave mode operation(SCR:MS=1, SMR:SCKE=0, SCSCR:CSEN0=1, SCSCR:CSE=0, SCSCR:SCAM=0)**

● **Data Transmission**

1. If serial data output is enabled (SMR:SOE=1), and data transmission is enabled (SCR:TXE=1), and when the transmit data is written in the TDR, the SSR:TDRE bit is set to "0".
2. When the Serial Chip Select pin (SCS) becomes active, the transmit data output is started. Then the transmit data is output in synchronization with a rising edge of the serial clock (SCK) input.
3. When the transmit data of the first bit is output, the SSR:TDRE bit is set to "1". Therefore, if the transmit interrupt is enabled (SCR:TIE=1), a transmit interrupt request is output. During this time, the transmit data of the 2nd byte can be written in the register.
4. If the Serial Chip Select pin (SCS) becomes inactive, the data transmission is stopped and the serial output pin (SOT) becomes "High".

● **Data Reception**

1. If the serial data output is disabled (SMR:SOE=0), data reception is enabled (SCR:RXE=1), and the serial chip select pin (SCS) becomes active, the data reception is started and the received data is sampled at a falling edge of serial clock (SCK) input.
2. When the last bit is received, the SSR:RDRF bit is set to "1". If a received interrupt is enabled (SCR:RIE=1), a received interrupt request is output.
3. The received data (RDR) can be read during this time.
4. When the received data (RDR) is read, the SSR:RDRF bit is cleared to "0".
5. When the serial chip select pin (SCS) becomes inactive, the data reception is stopped.

● **Data Transmission and Reception**

1. To perform data transmission and reception simultaneously, enable the serial data output (SMR:SOE=1) and enable the data transmission and reception (SCR:TXE, RXE=1).
2. When the transmit data is written in the TDR, the SSR:TDRE bit is set to "0". Then, the Serial Chip Select pin (SCS) becomes active and the serial clock output is started. After starting the Serial Clock output, the transmit data is output in synchronization with a rising edge of the serial clock (SCK) input. When the transmit data of the first bit is output, the SSR:TDRE bit is set to "1". If a transmit interrupt is enabled (SCR:TIE=1), a transmit interrupt request is output. During this time, the transmit data of the 2nd byte can be written in the register.
3. The received data is sampled at a falling edge of the serial clock (SCK) input during the data transmission and reception. When the last bit of received data is received, the SSR:RDRF bit is set to "1". If the received interrupt is enabled (SCR:RIE=1), a received interrupt request is output. The received data (RDR) can be read during this time. When the received data is read, the SSR:RDRF bit is cleared to "0".
4. The serial clock output is stopped when the Serial Chip Select pin (SCS) becomes inactive and the serial output pin (SOT) becomes "High".

3.3. SPI transfer (I)

■ Features

	Item	Description
1	Serial clock (SCK) signal mark level	"HIGH"
2	Transmit data output timing	SCK signal rising edge
3	Received data sampling	SCK signal falling edge
4	Data length	5 bits to 16 bits

■ Register settings

The register values required for SPI transfer (I) are listed on the table below.

Table 3-3 SPI transfer (I) register settings

	bit15	bit14	bit13	bit12	bit11	bit10	bit9	bit8	bit7	bit6	bit5	bit4	bit3	bit2	bit1	bit0
SCR/ SMR	UPCL	MS	SPI	RIE	TIE	TBIE	RXE	TXE	MD2	MD1	MD0	-	SCINV	BDS	SCKE	SOE
	0	1/0	1	*	*	*	*	*	0	1	0	0	0	*	1/0	*
SSR/ ESCR	REC	-	-	AWC	ORE	RDRF	TDRE	TBI	SOP	L3	-	WT1	WT0	L2	L1	L0
	0	-	-	*	-	-	-	-	0	*	-	*	*	*	*	*
TDR1/0 RDR1/0	D15	D14	D13	D12	D11	D10	D9	D8	D7	D6	D5	D4	D3	D2	D1	D0
	*	*	*	*	*	*	*	*	*	*	*	*	*	*	*	*
TDR3/2 RDR3/2	D31	D30	D29	D28	D27	D26	D25	D24	D23	D22	D21	D20	D19	D18	D17	D16
	*	*	*	*	*	*	*	*	*	*	*	*	*	*	*	*
BGR1/ BGR0	-	B14	B13	B12	B11	B10	B9	B8	B7	B6	B5	B4	B3	B2	B1	B0
	-	*	*	*	*	*	*	*	*	*	*	*	*	*	*	*

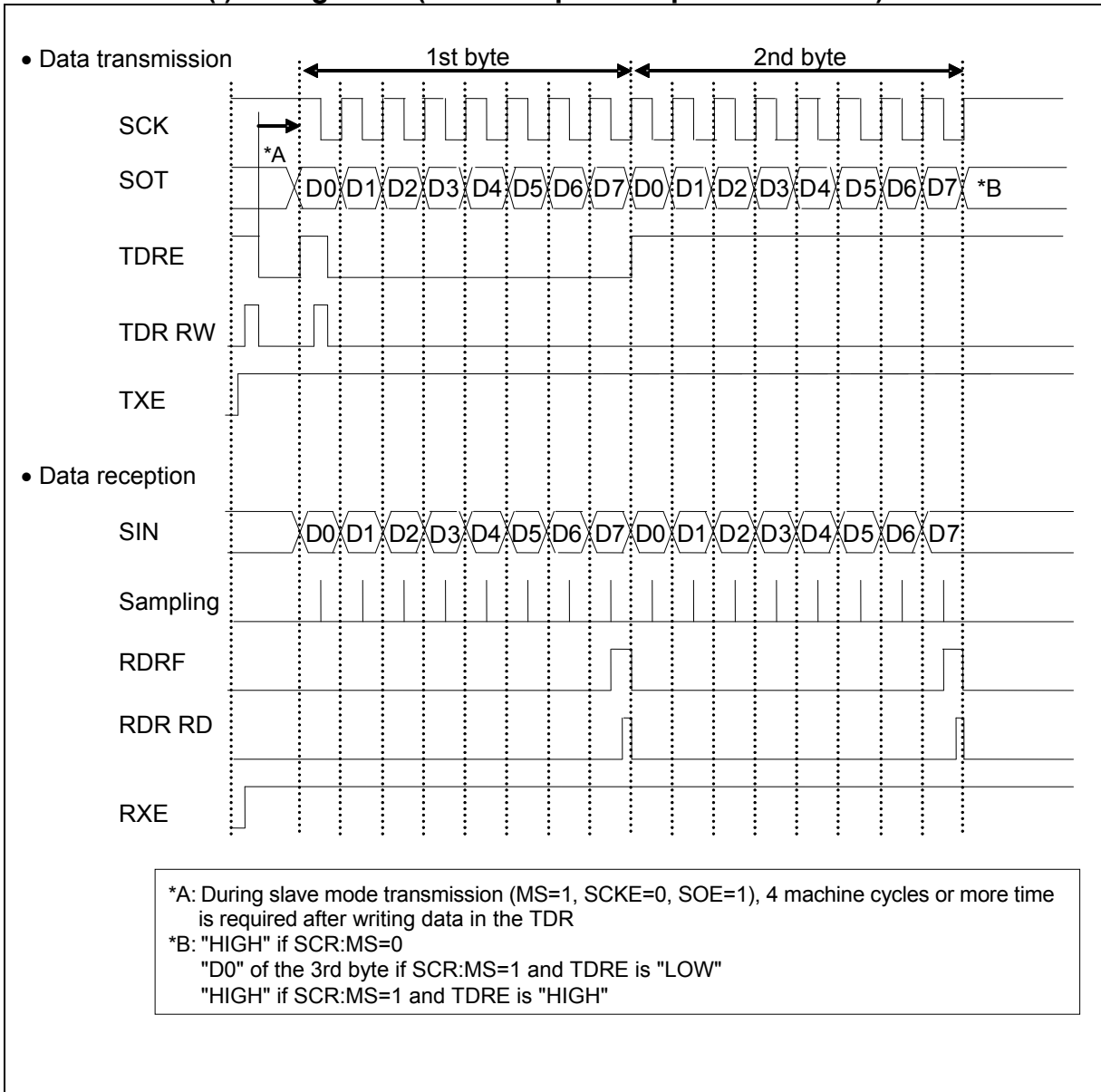
1 : Set to "1".
 0 : Set to "0".
 * : User-dependent values

<Note>

The above bit setting (1/0) varies depending on the master or slave mode operation. Set as follows.

- During master mode operation: SCR:MS=0, SMR:SCKE=1
- During slave mode operation: SCR:MS=1, SMR:SCKE=0

■ SPI transfer (I) timing chart (Serial chip select pin is not used)



■ Master mode operation (SCR:MS=0, SMR:SCKE=1)

● Data transmission

1. If serial data output is enabled (SMR:SOE=1), data transmission is enabled (SCR:TXE=1) and data reception is disabled (SCR:RXE=0), and when the transmit data is written in the TDR, the SSR:TDRE bit is set to "0". This causes the first bit to output. Then, the transmit data is output in synchronization with a rising edge of the serial clock (SCK) output.
2. The SSR:TDRE bit is set to "1" before a half cycle of a falling edge of serial clock (SCK) output. Therefore, if the transmit interrupt is enabled (SCR:TIE=1), a transmit interrupt request is output. During this time, the transmit data of the 2nd byte can be written in the register.

● Data reception

1. If the serial data output is disabled (SMR:SOE=0), data transmission is enabled (SCR:TXE=1) and data reception is enabled (SCR:RXE=1), and when a dummy data is written in the TDR, the received data is sampled at a falling edge of serial clock (SCK) output.
2. When the last bit is received, the SSR:RDRF bit is set to "1". If a received interrupt is enabled (SCR:RIE=1) during this time, a received interrupt request is output. The received data (RDR) can be read during this time.
3. When the received data (RDR) is read, the SSR:RDRF bit is cleared to "0".

<Notes>

- To perform data reception only, write a dummy data in the TDR so that the serial clock (SCK) is output.
 - If the FIFO transmission and reception are enabled, the serial clocks (SCK) for the preset number of frames are output when the frames to be transferred are set in the FBYTE register.
-

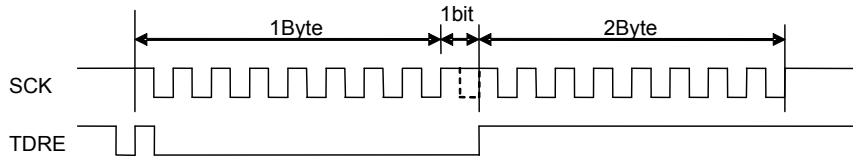
● Data transmission and reception

1. To perform data transmission and reception simultaneously, enable the serial data output (SMR:SOE=1) and enable the data transmission and reception (SCR:TXE, RXE=1).
2. When the transmit data is written in the TDR, the SSR:TDRE is set to "0" and the first bit is output. Then, the transmit data is output in synchronization with a rising edge of the serial clock (SCK) output. The SSR:TDRE bit is set to "1" before a half cycle of a falling edge of the first serial clock. If a transmit interrupt is enabled (SCR:TIE=1), a transmit interrupt request is output. During this time, the transmit data of the 2nd byte can be written in the register.
3. The received data is sampled at a falling edge of the serial clock (SCK) output. When the last bit of received data is received, the SSR:RDRF bit is set to "1". If a received interrupt is enabled (SCR:RIE=1), a received interrupt request is output. The received data (RDR) can be read during this time. When the received data is read, the SSR:RDRF bit is cleared to "0".

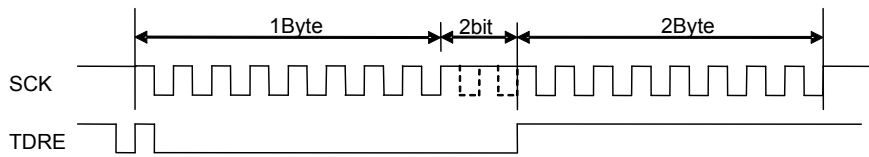
● **Continuous data transmit or reception waiting**

If anything other than ESCR:WT1, ESCR:WT0=00 is set for the continuous data transmission or reception, a wait is inserted between frames.

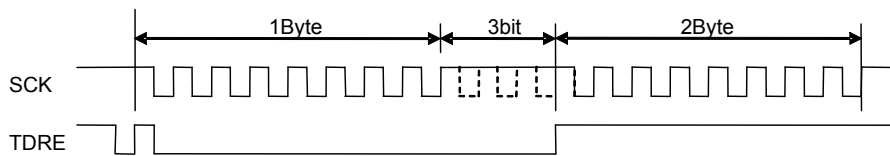
- ESCR:WT1, ESCR:WT0=01 (in master mode operation)



- ESCR:WT1, ESCR:WT0=10 (in master mode operation)



- ESCR:WT1, ESCR:WT0=11 (in master mode operation)



■ Slave mode operation (SCR:MS=1, SMR:SCKE=0)

● Data transmission

1. If serial data output is enabled (SMR:SOE=1) and data transmission is enabled (SCR:TXE=1) and when the transmit data is written in the TDR, the SSR:TDRE bit is set to "0". This causes the first bit to output. Then, the transmit data is output in synchronization with a rising edge of the serial clock (SCK) output.
2. When the first bit of transmit data is output, the SSR:TDRE bit is set to "1". If a transmit interrupt is enabled (SCR:TIE=1), a transmit interrupt request is output. During this time, the transmit data of the 2nd byte can be written in the register.

<Note>

If data transmission is enabled (SCR:TXE=1) and if the first transmit data is written in the TDR at a time other than the serial clock (SCK) signal mark level, the first data bit is not output and the data transmission may fail. After the data transmission is enabled (SCR:TXE=1), the first transmit data must be written in the TDR at a signal mark level of the serial clock (SCK).

● Data reception

1. If the serial data output is disabled (SMR:SOE=0) and data reception is enabled (SCR:RXE=1), the received data is sampled at a falling edge of serial clock (SCK) input.
2. When the last bit is received, the SSR:RDRF bit is set to "1". If a received interrupt is enabled (SCR:RIE=1), a received interrupt request is output. The received data (RDR) can be read during this time.
3. When the received data (RDR) is read, the SSR:RDRF bit is cleared to "0".

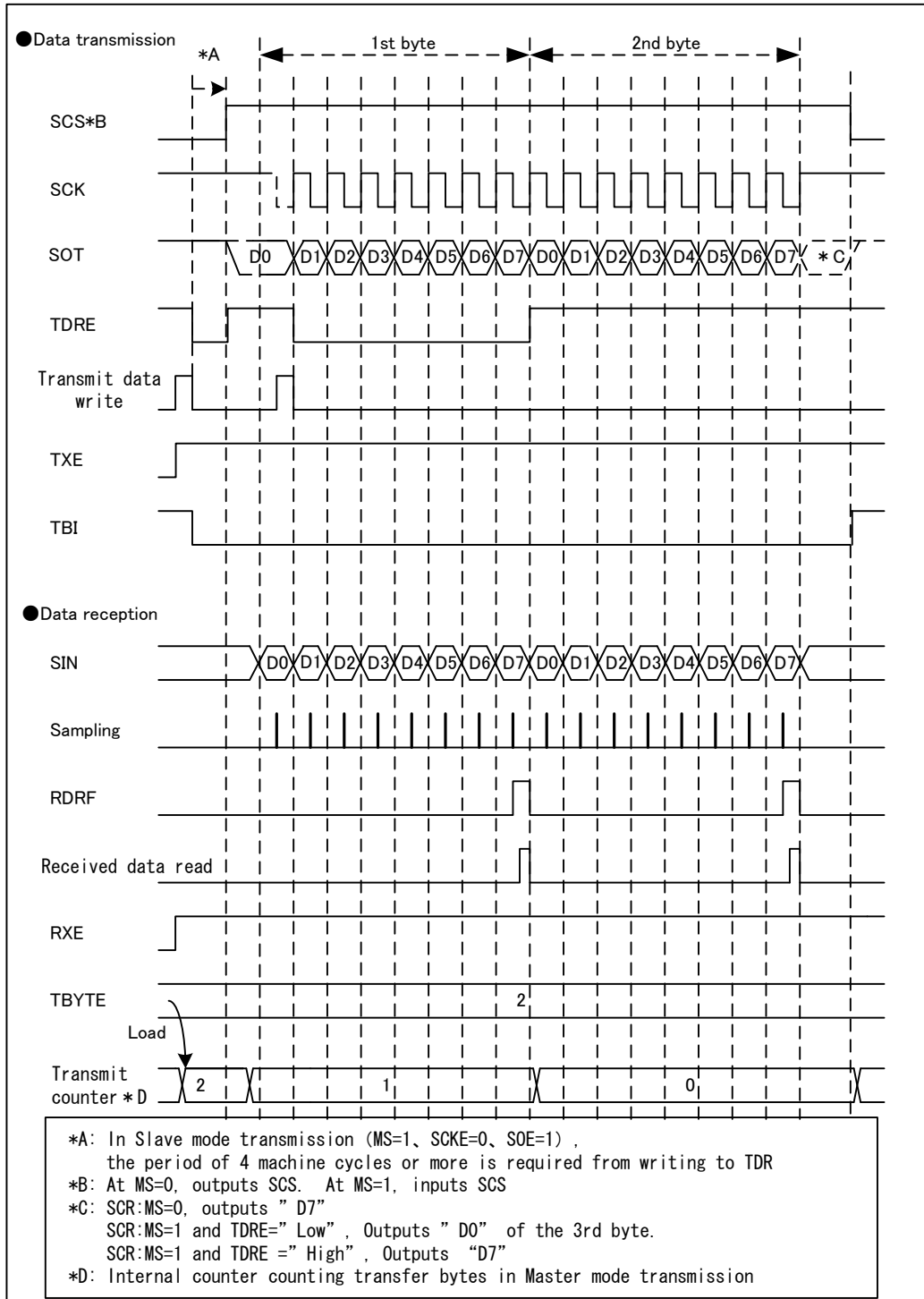
● Data transmission and reception

1. To perform data transmission and reception simultaneously, enable the serial data output (SMR:SOE=1) and enable the data transmission and reception (SCR:TXE, RXE=1).
2. When the transmit data is written in the TDR, the SSR:TDRE is set to "0" and the first bit is output. Then, the transmit data is output in synchronization with a rising edge of the serial clock (SCK) input. When the first bit of transmit data is output, the SSR:TDRE bit is set to "1". If a transmit interrupt is enabled (SCR:TIE=1), a transmit interrupt request is output. During this time, the transmit data of the 2nd byte can be written in the register.
3. The received data is sampled at a falling edge of the serial clock (SCK) input. When the last bit of received data is received, the SSR:RDRF bit is set to "1". If the received interrupt is enabled (SCR:RIE=1), a received interrupt request is output. The received data (RDR) can be read during this time. When the received data is read, the SSR:RDRF bit is cleared to "0".

● Continuous switching from data reception to transmission

1. Disable the serial data output (SMR:SOE=0), enable a received interrupt (SCR:RIE=1), enable data reception (SCR:RXE=1), and enable data transmission (SCR:TXE=1). If dummy data is written in the TDR at a signal mark level of serial clock (SCK), the received data is sampled at a falling edge of serial clock (SCK) input.
2. To continue data reception, write a dummy data in the TDR between the time when a received interrupt is requested and when the next serial clock (SCK) rises.
3. To switch the data reception to the data transmission, enable the serial data output (SMR:SOE=1), disable a received interrupt (SCR:RIE=0), and disable data reception (SCR:RXE=0) between the time when a received interrupt is requested and when the next serial clock (SCK) rises. Also, output the transmit data in synchronization with a rising edge of serial clock after the transmit data has been written in the TDR and the data reception has completed.

■ SPI transfer (I) timing chart (Serial chip select pin is used)



■ **Master mode operation (SCR:MS=0, SMR:SCKE=1, SCSCR:CSCOE=1, SCSCR:CSENn*=1)**

*: "n" is the number of the serial chip select pin used.

● **Data transmission**

1. If serial data output is enabled (SMR:SOE=1), data transmission is enabled (SCR:TXE=1) and data reception is disabled (SCR:RXE=0), and when the transmit data is written in the TDR, the SSR:TDRE bit is set to "0". Then, the transmit data of the first bit is output and the Serial Chip Select pin (SCS) becomes active at the same time, and then, the serial clock output is started after the elapse of the setup time of the Serial Chip Select pin. After starting the Serial Clock output, this causes the transmit data to be output in synchronization with a rising edge of the serial clock (SCK) output.
2. The SSR:TDRE bit is set to "1" before a half cycle of a falling edge of the first serial clock (SCK) output. Therefore, if the transmit interrupt is enabled (SCR:TIE=1), a transmit interrupt request is output. During this time, the transmit data of the 2nd byte can be written in the register.
3. After completing the times of the data transmission specified with TBYTE, the serial clock is stopped.
4. After the elapse of the hold time of the Serial Chip Select pin following the Serial Clock stop, the Serial Chip Select pin (SCS) becomes inactive. However, if the Serial Chip Select Active Level is held (SCSCR:SCAM=1), the Serial Chip Select pin (SCS) holds the active state.

● **Data reception**

1. If the serial data output is disabled (SMR:SOE=0), data transmission is enabled (SCR:TXE=1) and data reception is enabled (SCR:RXE=1), and when a dummy data is written in the TDR, the Serial Chip Select pin (SCS) becomes active and then, the serial clock output is started after the elapse of the setup time of the Serial Chip Select pin. After starting the serial clock output, the received data is sampled at a falling edge of serial clock (SCK) output.
2. When the last bit is received, the SSR:RDRF bit is set to "1". If a received interrupt is enabled (SCR:RIE=1) during this time, a received interrupt request is output. The received data (RDR) can be read during this time.
3. When the received data (RDR) is read, the SSR:RDRF bit is cleared to "0".
4. After the data reception is completed for the time specified with TBYTE, the serial clock output is stopped.
5. After the serial clock output is stopped, the Serial Chip Select pin (SCS) becomes inactive after the elapse of the hold time of the Serial Chip Select pin. However, if the Serial Chip Select Active Level is held (SCSCR:SCAM=1), the Serial Chip Select pin (SCS) holds the active state.

<Notes>

- To perform data reception only, write a dummy data in the TDR so that the serial clock (SCK) is output.
 - If the FIFO transmission and reception are enabled, the serial clocks (SCK) for the preset number of frames are output when the frames to be transferred are set in the FBYTE register.
-

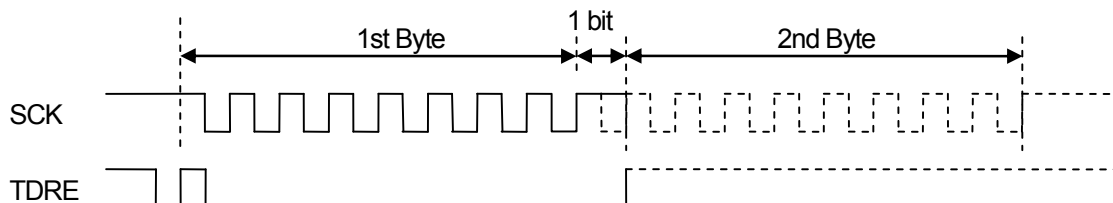
● **Data transmission and reception**

1. To perform data transmission and reception simultaneously, enable the serial data output (SMR:SOE=1) and enable the data transmission and reception (SCR:TXE, RXE=1).
2. When the transmit data is written in the TDR, the SSR:TDRE is set to "0" and the first bit is output and the the Serial Chip Select pin (SCS) becomes active at the same time. The serial clock output is started after the elapse of setup time of the Serial Chip Select pin. After the serial clock output, the transmit data is output in synchronization with a rising edge of the serial clock (SCK) output. The SSR:TDRE bit is set to "1" before a half cycle of a falling edge of the first serial clock (SCK) output. Therefore, if the transmit interrupt is enabled (SCR:TIE=1), a transmit interrupt request is output. During this time, the transmit data of the 2nd byte can be written in the register.
3. The received data is sampled at a falling edge of the serial clock (SCK) output. When the last bit of received data is received, the SSR:RDRF bit is set to "1". If the received interrupt is enabled (SCR:RIE=1), a received interrupt request is output. The received data (RDR) can be read during this time. When the received data is read, the SSR:RDRF bit is cleared to "0".
4. After the data reception is completed for the time specified with TBYTE, the serial clock output is stopped.
5. After the serial clock output is stopped, the Serial Chip Select pin (SCS) becomes inactive after the elapse of the hold time of the Serial Chip Select pin. However, if the Serial Chip Select Active Level is held (SCSCR:SCAM=1), the Serial Chip Select pin (SCS) holds the active state.

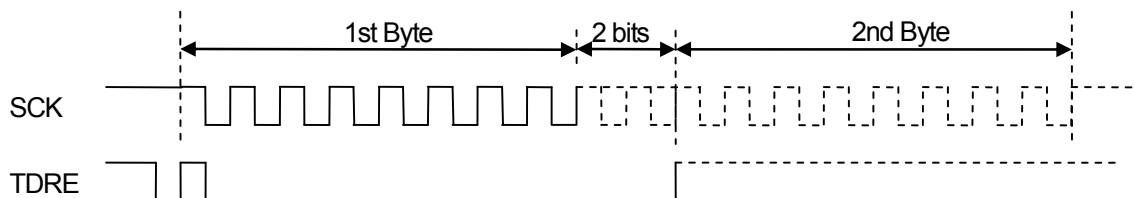
● **Continuous data transmit or reception waiting [*]**

If anything other than ESCR:WT1, ESCR:WT0=00 is set for the continuous data transmission or reception, a wait is inserted between frames.

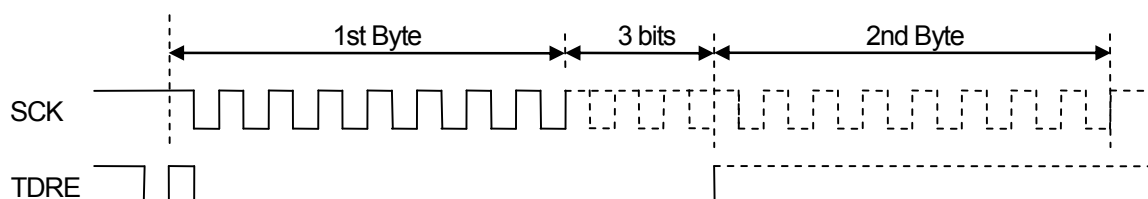
■ ESCR.WT1=0, ESCR.WT0=1(in master mode)



■ ESCR.WT1=1, ESCR.WT0=0(in master mode operation)



■ ESCR.WT1=1, ESCR.WT0=1(in master mode)



■ **Slave mode operation (SCR:MS=1, SMR:SCKE=0, SCSCR:CSEN=1, SCSCR:SCAM=0) [*]**

● **Data Transmission**

1. If serial data output is enabled (SMR:SOE=1), and data transmission is enabled (SCR:TXE=1), and when the transmit data is written in the TDR, the SSR:TDRE bit is set to "0".
2. When the Serial Chip Select pin (SCS) becomes active, the transmit data output is started. Then the transmit data is output in synchronization with a rising edge of the serial clock (SCK) output.
3. When the transmit data of the first bit is output, the SSR:TDRE bit is set to "1". Therefore, if the transmit interrupt is enabled (SCR:TIE=1), a transmit interrupt request is output. During this time, the transmit data of the 2nd byte can be written in the register.
4. If the Serial Chip Select pin (SCS) becomes inactive, the data transmission is stopped and the serial output pin (SOT) becomes "High".

<Note>

If the data transmission is enabled (SCR:TXE=1) and the first transmit data is written to TDR ATat a level other than the mark level, the data of the first bit is not output and the normal data transmission is not executed. After the data transmission is enabled (SCR:TXE=1), write the first transmit data to TDR when the serial clock (SCK) is at the Mark level

● **Data reception**

1. If the serial data output is disabled (SMR:SOE=0), data reception is enabled (SCR:RXE=1), and the serial chip select pin (SCS) becomes active, the data reception is started and the received data is sampled at a falling edge of serial clock (SCK) input.
2. When the last bit is received, the SSR:RDRF bit is set to "1". If a received interrupt is enabled (SCR:RIE=1), a received interrupt request is output.
3. The received data (RDR) can be read during this time.
4. When the received data (RDR) is read, the SSR:RDRF bit is cleared to "0".
5. When the serial chip select pin (SCS) becomes inactive, the data reception is stopped.

● **Data reception and transmission**

1. To perform data transmission and reception simultaneously, enable the serial data output (SMR:SOE=1) and enable the data transmission and reception (SCR:TXE, RXE=1).
2. When the transmit data is written in the TDR, the SSR:TDRE is set to "0". Then, the Serial Chip Select pin (SCS) becomes active, so, the data transmission and reception is started and the first bit is output. The transmit data output is started after the elapse of setup time of the Serial Chip Select pin. After the data transmission and reception started, the transmit data is output in synchronization with a rising edge of the serial clock (SCK) input. When the first bit of the transmit data is output, the SSR:TDRE bit is set to "1". Therefore, if the transmit interrupt is enabled (SCR:TIE=1), a transmit interrupt request is output. During this time, the transmit data of the 2nd byte can be written in the register.
3. The received data is sampled at a falling edge of the serial clock (SCK) input. When the last bit of received data is received, the SSR:RDRF bit is set to "1". If the received interrupt is enabled (SCR:RIE=1), a received interrupt request is output. The received data (RDR) can be read during this time. When the received data is read, the SSR:RDRF bit is cleared to "0".
4. When the Serial Chip Select pin (SCS) becomes inactive, the serial clock output is stopped and the serial output pin(SOT) becomes "High".

3.4. SPI transfer (II)

■ Features

	Item	Description
1	Serial clock (SCK) signal mark level	"LOW"
2	Transmit data output timing	SCK signal falling edge
3	Received data sampling	SCK signal rising edge
4	Data length	5 bits to 9 bits

■ Register settings

The register values required for SPI transfer (II) are listed on the table below.

Table 3-4 SPI transfer (II) register settings

	bit15	bit14	bit13	bit12	bit11	bit10	bit9	bit8	bit7	bit6	bit5	bit4	bit3	bit2	bit1	bit0
SCR/ SMR	UPCL	MS	SPI	RIE	TIE	TBIE	RXE	TXE	MD2	MD1	MD0	-	SCINV	BDS	SCKE	SOE
	0	1/0	1	*	*	*	*	*	0	1	0	0	1	*	1/0	*
SSR/ ESCR	REC	-	-	AWC	ORE	RDRF	TDRE	TBI	SOP	L3	-	WT1	WT0	L2	L1	L0
	0	-	-	*	-	-	-	-	0	*	-	*	*	*	*	*
TDR1/0 RDR1/0	D15	D14	D13	D12	D11	D10	D9	D8	D7	D6	D5	D4	D3	D2	D1	D0
	*	*	*	*	*	*	*	*	*	*	*	*	*	*	*	*
TDR3/2 RDR3/2	D31	D30	D29	D28	D27	D26	D25	D24	D23	D22	D21	D20	D19	D18	D17	D16
	*	*	*	*	*	*	*	*	*	*	*	*	*	*	*	*
BGR1/ BGR0	-	B14	B13	B12	B11	B10	B9	B8	B7	B6	B5	B4	B3	B2	B1	B0
	-	*	*	*	*	*	*	*	*	*	*	*	*	*	*	*

1 : Set to "1".

0 : Set to "0".

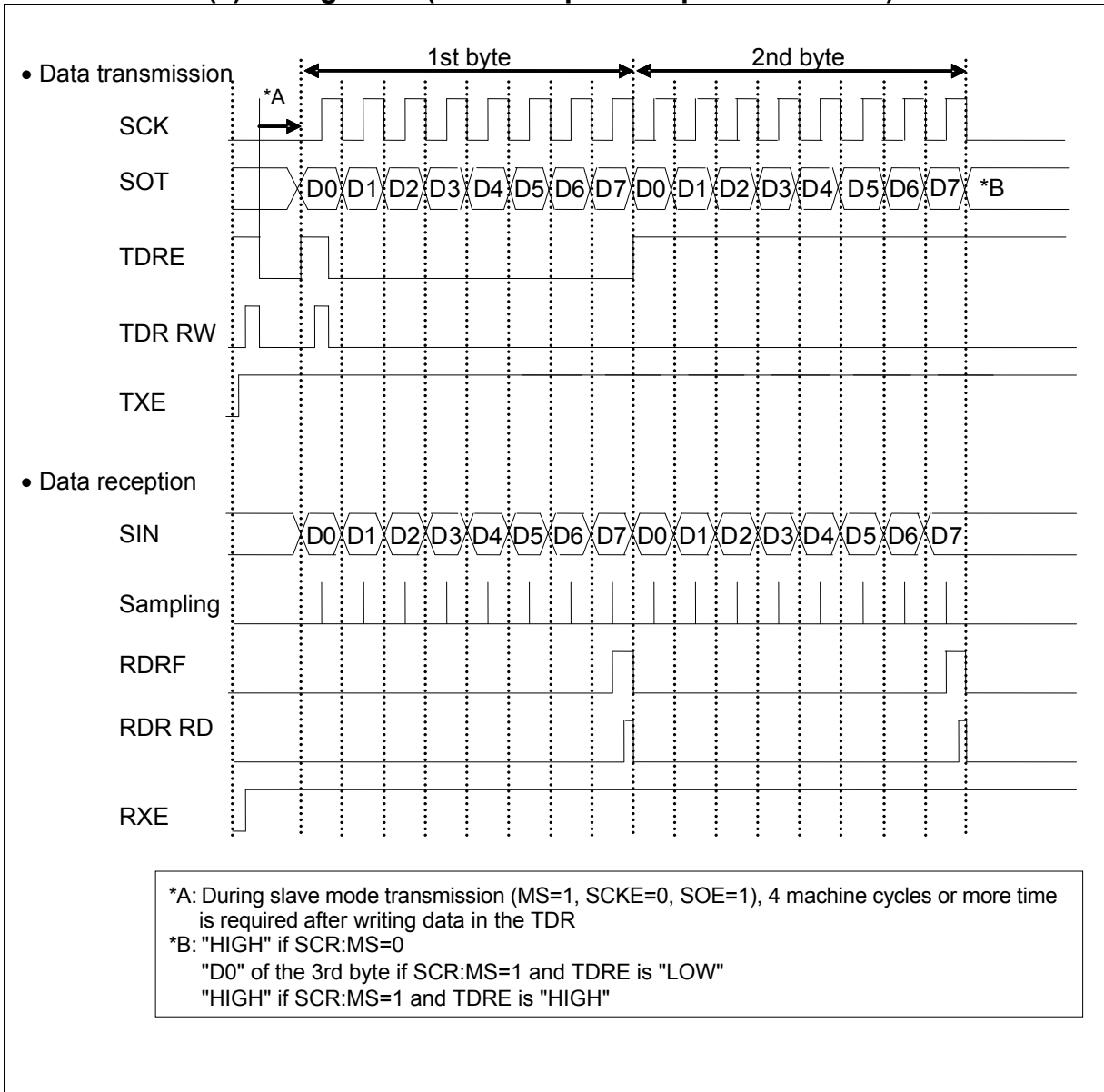
* : User-dependent values

<Note>

The above bit setting (1/0) varies depending on the master or slave mode operation. Set as follows.

- During master mode operation: SCR:MS=0, SMR:SCKE=1
- During slave mode operation: SCR:MS=1, SMR:SCKE=0

■ SPI transfer (II) timing chart (Serial chip select pin is not used)



■ Master mode operation (SCR:MS=0, SMR:SCKE=1)

● Data transmission

1. If serial data output is enabled (SMR:SOE=1), data transmission is enabled (SCR:TXE=1) and data reception is disabled (SCR:RXE=0), and when the transmit data is written in the TDR, the SSR:TDRE bit is set to "0". This causes the transmit data to be output in synchronization with a falling edge of the serial clock (SCK) output.
2. The SSR:TDRE bit is set to "1" before a half cycle of a rising edge of the first serial clock (SCK) output. Therefore, if the transmit interrupt is enabled (SCR:TIE=1), a transmit interrupt request is output. During this time, the transmit data of the 2nd byte can be written in the register.

● Data reception

1. If the serial data output is disabled (SMR:SOE=0), data transmission is enabled (SCR:TXE=1) and data reception is enabled (SCR:RXE=1), and when a dummy data is written in the TDR, the received data is sampled at a rising edge of serial clock (SCK) output.
2. When the last bit is received, the SSR:RDRF bit is set to "1". If a received interrupt is enabled (SCR:RIE=1) during this time, a received interrupt request is output. The received data (RDR) can be read during this time.
3. When the received data (RDR) is read, the SSR:RDRF bit is cleared to "0".

<Notes>

- To perform data reception only, write a dummy data in the TDR so that the serial clock (SCK) is output.
 - If the FIFO transmission and reception are enabled, the serial clocks (SCK) for the preset number of frames are output when the frames to be transferred are set in the FBYTE register.
-

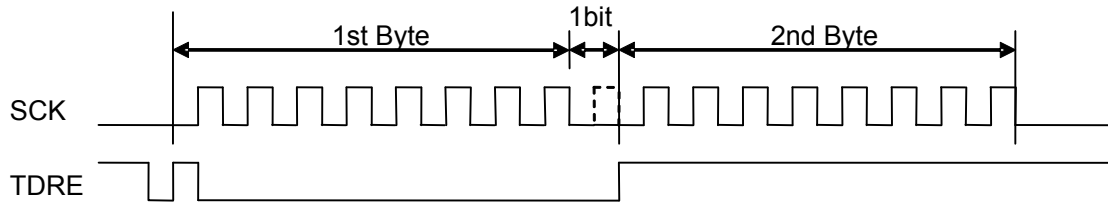
● Data transmission and reception

1. To perform data transmission and reception simultaneously, enable the serial data output (SMR:SOE=1) and enable the data transmission and reception (SCR:TXE, RXE=1).
2. When the transmit data is written in the TDR, the SSR:TDRE is set to "0" and the first bit is output. Then, the transmit data is output in synchronization with a falling edge of the serial clock (SCK) output. The SSR:TDRE bit is set to "1" before a half cycle of a rising edge of the first serial clock. If a transmit interrupt is enabled (SCR:TIE=1), a transmit interrupt request is output. During this time, the transmit data of the 2nd byte can be written in the register.
3. The received data is sampled at a rising edge of the serial clock (SCK) output. When the last bit of received data is received, the SSR:RDRF bit is set to "1". If a received interrupt is enabled (SCR:RIE=1), a received interrupt request is output. The received data (RDR) can be read during this time. When the received data is read, the SSR:RDRF bit is cleared to "0".

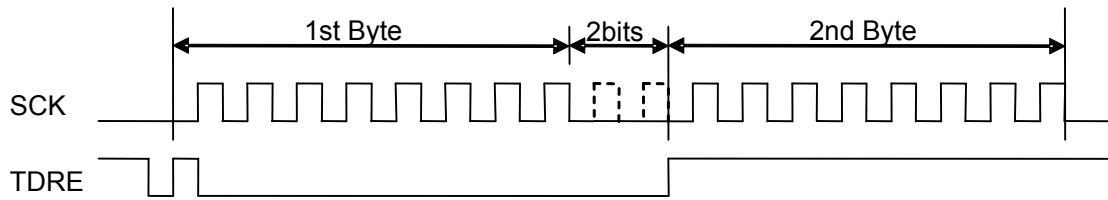
● **Continuous data transmit or reception waiting**

If anything other than ESCR:WT1, ESCR:WT0=00 is set for the continuous data transmission or reception, a wait is inserted between frames.

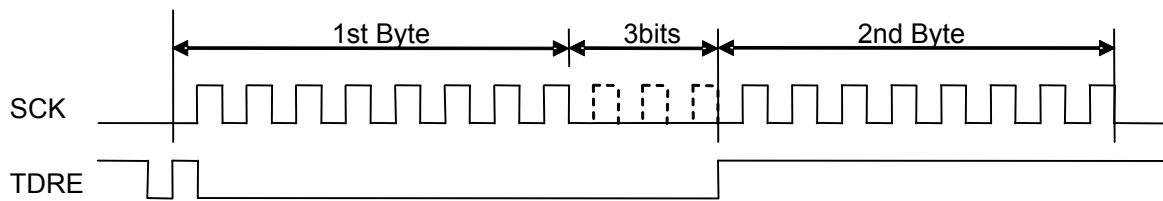
- ESCR:WT1, ESCR:WT0=01 (in master mode operation)



- ESCR:WT1, ESCR:WT0=10 (in master mode operation)



- ESCR:WT1, ESCR:WT0=11 (in master mode operation)



■ Slave mode operation (SCR:MS=1, SMR:SCKE=0)

● Data transmission

1. If serial data output is enabled (SMR:SOE=1) and data transmission is enabled (SCR:TXE=1) and when the transmit data is written in the TDR, the SSR:TDRE bit is set to "0". This causes the first bit to output. Then, the transmit data is output in synchronization with a falling edge of the serial clock (SCK) input.
2. When the first bit of transmit data is output, the SSR:TDRE bit is set to "1". If a transmit interrupt is enabled (SCR:TIE=1), a transmit interrupt request is output. During this time, the transmit data of the 2nd byte can be written in the register.

<Note>

If data transmission is enabled (SCR:TXE=1) and if the first transmit data is written in the TDR at a time other than the serial clock (SCK) signal mark level, the first data bit is not output and the data transmission may fail. After the data transmission is enabled (SCR:TXE=1), the first transmit data must be written in the TDR at a signal mark level of the serial clock (SCK).

● Data reception

1. If the serial data output is disabled (SMR:SOE=0) and data reception is enabled (SCR:RXE=1), the received data is sampled at a rising edge of serial clock (SCK) input.
2. When the last bit is received, the SSR:RDRF bit is set to "1". If a received interrupt is enabled (SCR:RIE=1), a received interrupt request is output. The received data (RDR) can be read during this time.
3. When the received data (RDR) is read, the SSR:RDRF bit is cleared to "0".

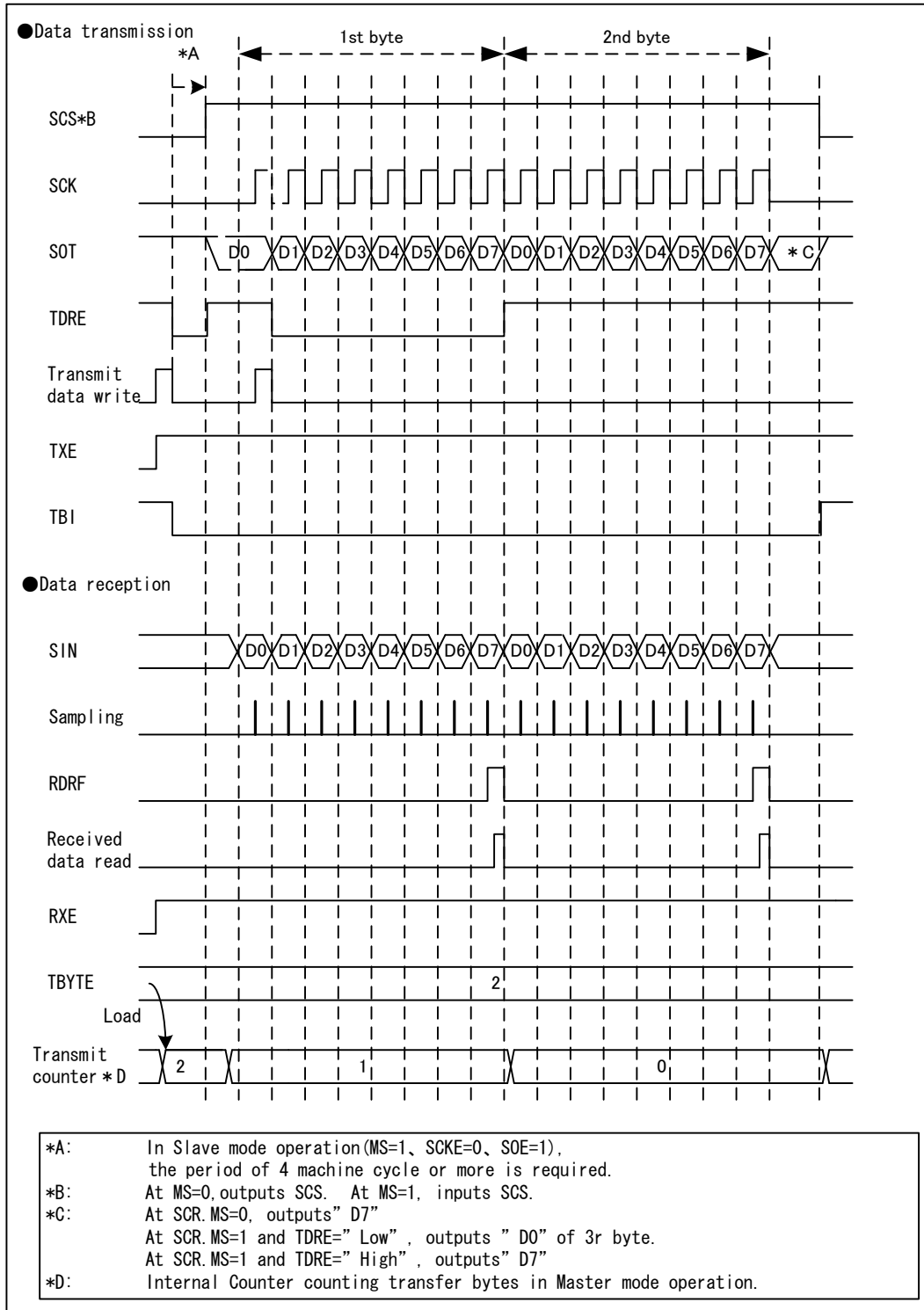
● Data transmission and reception

1. To perform data transmission and reception simultaneously, enable the serial data output (SMR:SOE=1) and enable the data transmission and reception (SCR:TXE, RXE=1).
2. When the transmit data is written in the TDR, the SSR:TDRE is set to "0" and the first bit is output. Then, the transmit data is output in synchronization with a falling edge of the serial clock (SCK) input. When the first bit of transmit data is output, the SSR:TDRE bit is set to "1". If a transmit interrupt is enabled (SCR:TIE=1), a transmit interrupt request is output. During this time, the transmit data of the 2nd byte can be written in the register.
3. The received data is sampled at a rising edge of the serial clock (SCK) input. When the last bit of received data is received, the SSR:RDRF bit is set to "1". If the received interrupt is enabled (SCR:RIE=1), a received interrupt request is output. The received data (RDR) can be read during this time. When the received data is read, the SSR:RDRF bit is cleared to "0".

● Continuous switching from data reception to transmission

1. Disable the serial data output (SMR:SOE=0), enable a received interrupt (SCR:RIE=1), enable data reception (SCR:RXE=1), and enable data transmission (SCR:TXE=1). If dummy data is written in the TDR at a signal mark level of serial clock (SCK), the received data is sampled at a falling edge of serial clock (SCK) input.
2. To continue data reception, write a dummy data in the TDR between the time when a received interrupt is requested and when the next serial clock (SCK) rises.
3. To switch the data reception to the data transmission, enable the serial data output (SMR:SOE=1), disable a received interrupt (SCR:RIE=0), and disable data reception (SCR:RXE=0) between the time when a received interrupt is requested and when the next serial clock (SCK) rises. Also, output the transmit data in synchronization with a rising edge of serial clock after the transmit data has been written in the TDR and the data reception has completed.

■ SPI transfer (II) timing chart (Serial chip select pin is not used)



■ **Master mode operation (SCR:MS=0, SMR:SCKE=1, SCSCR:CCKOE=1, SCSCR:CCKENn*=1)**

*: "n" is the number of the serial chip select pin used.

■ **Data transmission**

1. If serial data output is enabled (SMR:SOE=1), data transmission is enabled (SCR:TXE=1) and data reception is disabled (SCR:RXE=0), and when the transmit data is written in the TDR, the SSR:TDRE bit is set to "0". Then, the transmit data of the first bit is output and the Serial Chip Select pin (SCS) becomes active at the same time, and then, the serial clock output is started after the elapse of the setup time of the Serial Chip Select pin. After starting the Serial Clock output, this causes the transmit data to be output in synchronization with a falling edge of the serial clock (SCK) output. The SSR:TDRE bit is set to "1" before a half cycle of a falling edge of the first serial clock (SCK) output. Therefore, if the transmit interrupt is enabled (SCR:TIE=1), a transmit interrupt request is output. During this time, the transmit data of the 2nd byte can be written in the register.
2. After completing the times of the data transmission specified with TBYTE, the serial clock is stopped.
3. After the elapse of the hold time of the Serial Chip Select pin following the Serial Clock stop, the Serial Chip Select pin (SCS) becomes inactive. However, if the Serial Chip Select Active Level is held (SCSCR:SCAM=1), the Serial Chip Select pin (SCS) holds the active state.

■ **Data reception**

1. If the serial data output is disabled (SMR:SOE=0), data transmission is enabled (SCR:TXE=1) and data reception is enabled (SCR:RXE=1), and when a dummy data is written in the TDR, the Serial Chip Select pin (SCS) becomes active and then, the serial clock output is started after the elapse of the setup time of the Serial Chip Select pin. After starting the serial clock output, the received data is sampled at a rising edge of serial clock (SCK) output.
2. When the last bit is received, the SSR:RDRF bit is set to "1". If a received interrupt is enabled (SCR:RIE=1) during this time, a received interrupt request is output. The received data (RDR) can be read during this time.
3. When the received data (RDR) is read, the SSR:RDRF bit is cleared to "0".
4. After the data reception is completed for the time specified with TBYTE, the serial clock output is stopped.
5. After the serial clock output is stopped, the Serial Chip Select pin (SCS) becomes inactive after the elapse of the hold time of the Serial Chip Select pin. However, if the Serial Chip Select Active Level is held (SCSCR:SCAM=1), the Serial Chip Select pin (SCS) holds the active state.

<Notes>

- To perform data reception only, write a dummy data in the TDR so that the serial clock (SCK) is output.
 - If the FIFO transmission and reception are enabled, the serial clocks (SCK) for the preset number of frames are output when the frames to be transferred are set in the FBYTE register.
-

■ **Data transmission and reception**

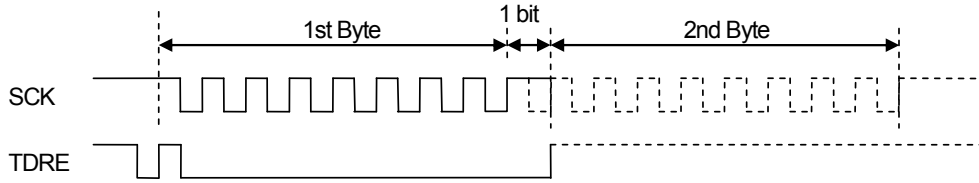
1. To perform data transmission and reception simultaneously, enable the serial data output (SMR:SOE=1) and enable the data transmission and reception (SCR:TXE, RXE=1).
2. When the transmit data is written in the TDR, the SSR:TDRE is set to "0" and the first bit is output and the the Serial Chip Select pin (SCS) becomes active at the same time. The serial clock output is started after the elapse of setup time of the Serial Chip Select pin. After the serial clock output, the transmit data is output in synchronization with a falling edge of the serial clock (SCK) output. The SSR:TDRE bit is set to "1" before a half cycle of a rising edge of the first serial clock (SCK) output. Therefore, if the transmit interrupt is enabled (SCR:TIE=1), a transmit interrupt request is output. During this time, the transmit data of the 2nd byte can be written in the register.
3. The received data is sampled at a rising edge of the serial clock (SCK) output. When the last bit of received data is received, the SSR:RDRF bit is set to "1". If the received interrupt is enabled (SCR:RIE=1), a received interrupt request is output. The received data (RDR) can be read during this time. When the received data is read, the SSR:RDRF bit is cleared to "0".

4. After the data reception is completed for the time specified with TBYTE, the serial clock output is stopped.
5. After the serial clock output is stopped, the Serial Chip Select pin (SCS) becomes inactive after the elapse of the hold time of the Serial Chip Select pin. However, if the Serial Chip Select Active Level is held (SCSCR:SCAM=1), the Serial Chip Select pin (SCS) holds the active state.

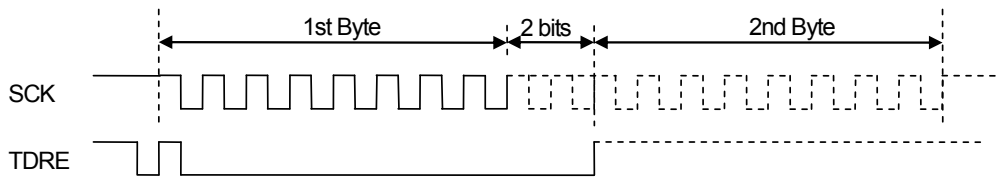
● **Continuous data transmit or reception waiting**

If anything other than ESCR:WT1, ESCR:WT0=00 is set for the continuous data transmission or reception, a wait is inserted between frames.

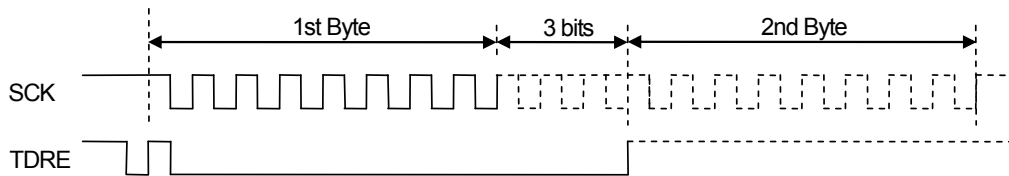
■ ESCR.WT1=0, ESCR.WT0=1(in master mode operation)



■ ESCR.WT1=1, ESCR.WT0=0(in master mode operation)



■ ESCR.WT1=1, ESCR.WT0=1(in master mode operation)



■ **Slave mode operation (SCR:MS=1, SMR:SCKE=0, SCSCR:CSEN=1, SCSCR:SCAM=0)**

● **Data transmission**

1. If serial data output is enabled (SMR:SOE=1), and data transmission is enabled (SCR:TXE=1), and when the transmit data is written in the TDR, the SSR:TDRE bit is set to "0".
2. When the Serial Chip Select pin (SCS) becomes active, the transmit data output is started and the first bit of the transmit data is output. After starting the data transmission, the transmit data is output in synchronization with a falling edge of the serial clock (SCK) output.
3. When the transmit data of the first bit is output, the SSR:TDRE bit is set to "1". Therefore, if the transmit interrupt is enabled (SCR:TIE=1), a transmit interrupt request is output. During this time, the transmit data of the 2nd byte can be written in the register.
4. If the Serial Chip Select pin (SCS) becomes inactive, the data transmission is stopped and the serial output pin (SOT) becomes "High".

<Note>

If data transmission is enabled (SCR:TXE=1) and if the first transmit data is written in the TDR at a time other than the serial clock (SCK) signal mark level, the first data bit is not output and the data transmission may fail. After the data transmission is enabled (SCR:TXE=1), the first transmit data must be written in the TDR at a signal mark level of the serial clock (SCK)

● **Data reception**

1. If the serial data output is disabled (SMR:SOE=0), data reception is enabled (SCR:RXE=1), and the serial chip select pin (SCS) becomes active, the data reception is started and the received data is sampled at a falling edge of serial clock (SCK) input.
2. When the last bit is received, the SSR:RDRF bit is set to "1". If a received interrupt is enabled (SCR:RIE=1), a received interrupt request is output.
The received data (RDR) can be read during this time.
3. When the received data (RDR) is read, the SSR:RDRF bit is cleared to "0".
4. When the serial chip select pin (SCS) becomes inactive, the data reception is stopped.

● **Data transmission and reception**

1. To perform data transmission and reception simultaneously, enable the serial data output (SMR:SOE=1) and enable the data transmission and reception (SCR:TXE, RXE=1).
2. When the transmit data is written in the TDR, the SSR:TDRE is set to "0" and the first bit is output and the Serial Chip Select pin (SCS) becomes active at the same time. After the starting data transmission and reception, the transmit data is output in synchronization with a falling edge of the serial clock (SCK) input. The SSR:TDRE bit is set to "1" after the first bit of transmit data is output. Therefore, if the transmit interrupt is enabled (SCR:TIE=1), a transmit interrupt request is output. During this time, the transmit data of the 2nd byte can be written in the register.
3. The received data is sampled at a rising edge of the serial clock (SCK) input. When the last bit of received data is received, the SSR:RDRF bit is set to "1". If the received interrupt is enabled (SCR:RIE=1), a received interrupt request is output. The received data (RDR) can be read during this time. When the received data is read, the SSR:RDRF bit is cleared to "0".
4. After the Serial Chip Select pin (SCS) becomes inactive, the data transmission and reception is stopped and the serial output pin (SOT) becomes "High".

4. Serial Timer Operation

The serial timer is used for either timer function or synchronous transmission function.

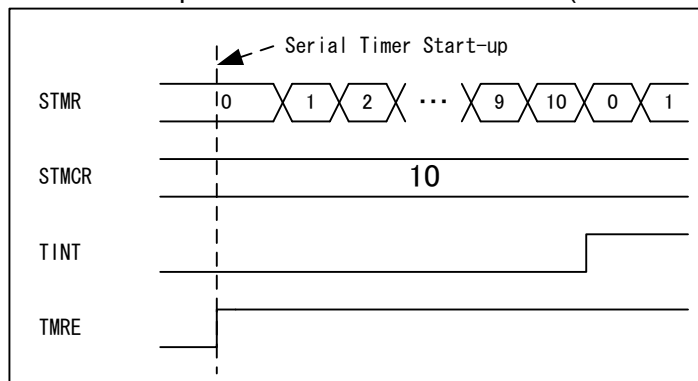
■ Operations of serial timer

● Starting method of serial timer

The serial timer is started by setting Serial Timer Enable bit (SACSR:TMRE) to “1”.

- Start-up with Serial Timer Enable bit (SACSR:TMRE)
When Serial Timer Enable bit (SACSR:TMRE) is set to “1”, the serial timer is started and the serial timer register (STMR) counts from 0.

Figure 4-1 Start-up with Serial Timer Enable bit (STMCR=10, SACSR:TSYNE=0)



● **Stop method of serial timer**

When the Serial Timer Enable bit (SACSR:TMRE) is set to “0”, the serial timer is stopped.
 In this case, the value of the serial Timer Register (STMR) is held.

● **Timer operation**

When the Synchronus Transmission Enable bit (SACSR:TSYNE) is 0, the serial timer funtions as atimer.

When the values of Serial Timer Register (STMR) and Serial Timer Comparison Register (STMCR) match, the Timer Interrupt Flag (SACSR:TINT) is set to “1” and the Serial Timer Register (STMR) is reset to “0”.

Figure 4-2 Timer operation (STMCR=10, SACSR:TSYNE=0)

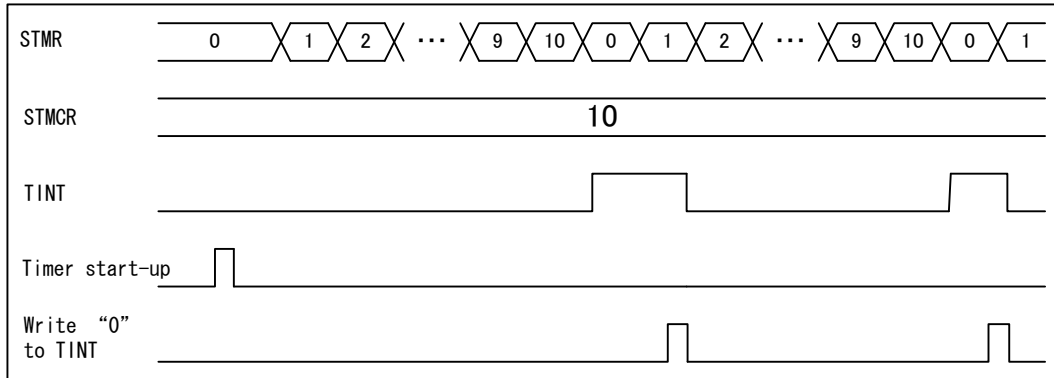


Figure 4-3 Serial Timer Initial Setting Flow Chart

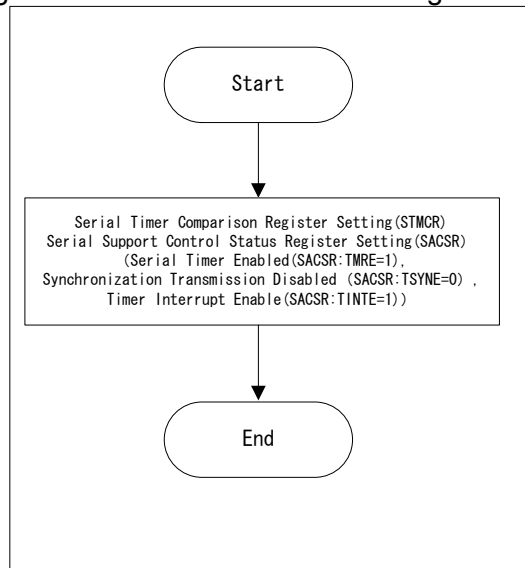
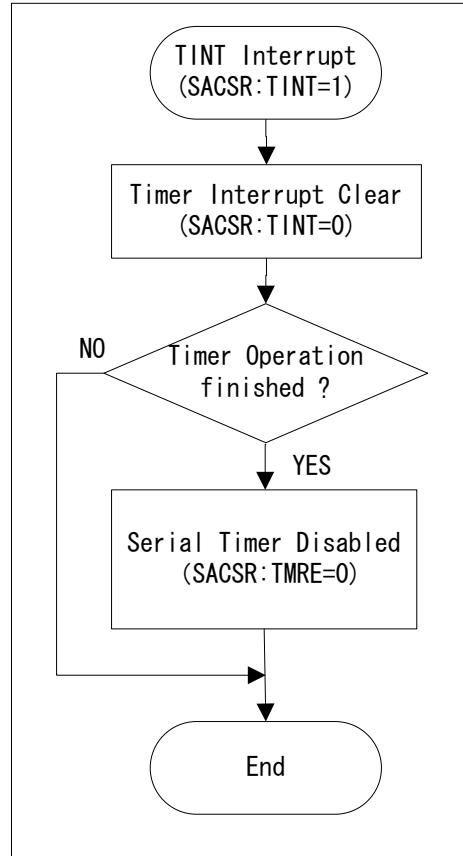


Figure 4-4 Serial Timer Interrupt Process Flow Chart



<Note>

When the following conditions are met, the Timer Interrupt Flag (SACSR:TINT) is fixed to "1".

- The Timer Comparison Register (STMCR) is set to "0x0000" when Synchronous Transmission is disabled (SACSR:TSYNE="0")
- The division ratio of Timer Operation Clock (SACSR:TDIV) is set to "0000" during the timer operation.

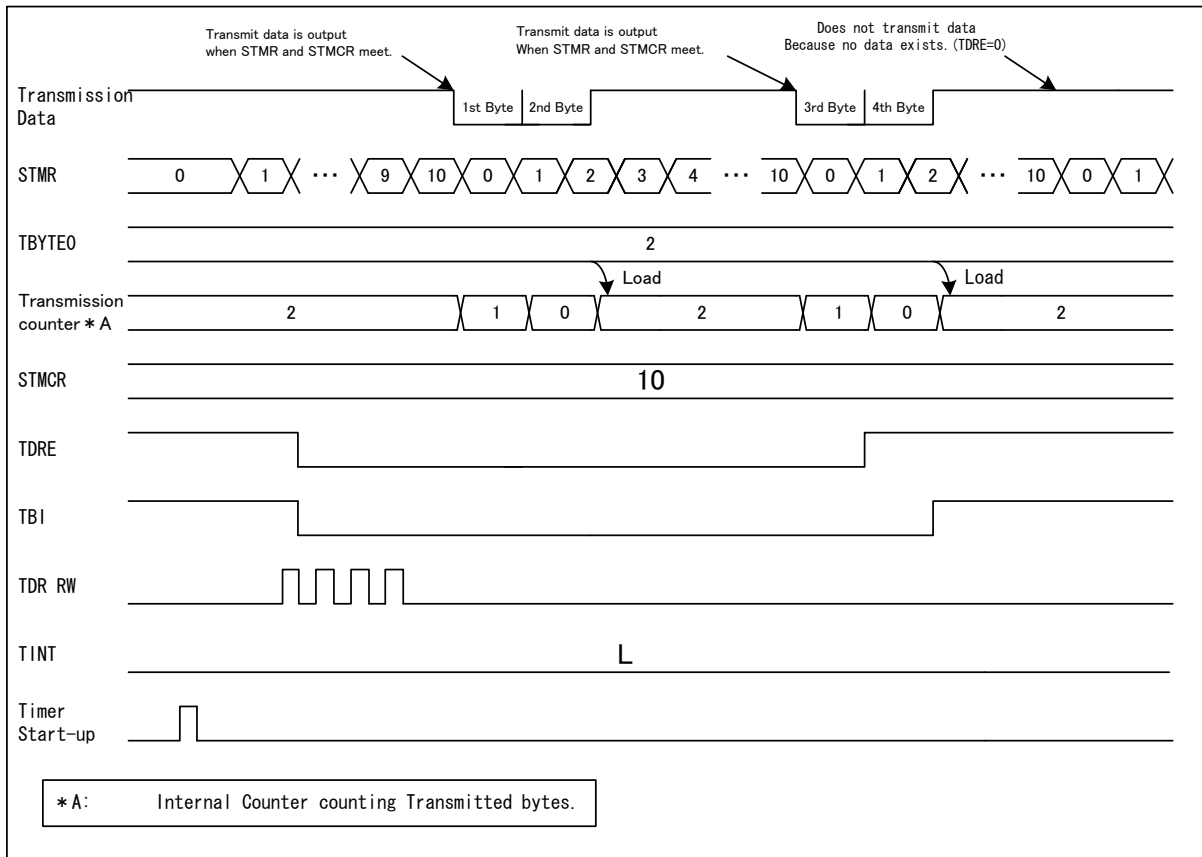
● **Transmission in synchronaization with the timer**

When the Synchronus Transmission Enable bit (SACSR:TSYNE) is “1”, the serial timer is used for synchronous transmission.

The transmission in synchronization with the timer is implemented as follows:

1. In the case where data exists in Transmission data register (SSR:TDRE=’0’), when the values of the Serial Timer Register (STMR) and Serial Timer Comparison Register (STMCR) match, the transmission is started and the Serial Timer Register is reset to’0’. The data of the count specified with TBYTE0 is transmitted.
2. After the data of the count specified with TBYTE0 has been transmitted, the transmission is stopped until the values of the Serial Timer Register (STMR) and Serial Timer Comparison Register (STMCR) match again.

Figure 4-5 Transmission in Synchronization with Timer (STMR=10, TBYTE0=2, SACSR:TSYNE=1)



In the case where the Synchronus Transmission is enabled(SACSR:TSYNE=1) and the Serial Timer Register (STMR) and the Serial Timer Comparison Register match, the transmission is not started in the following conditions:

- When transmission is disabled (SCR:TXE=0)
- In slave mode operation (SCR:MS=1)
- When no valid data exists in the transmission data register (SSR:TDRE=1)

However, when no valid data exists in the transmission data register (SSR:TDRE=1), if the synchronous transmission is enabled (SACSR:TSYNE="1") and the Serial Timer Register (STMR) and the Serial Timer Comparison Register match, the transmission is started immediately after writing transmission data to the transmission data register.

When a valid data exists in the Trasmission Data Register (TDR) after the data of the count specified in TBYTE has been finished (SSR:TDRE=0), the tarasmission data is not transgferred until the Serial Timer Register (STMR) and the Serial Timer Comparison Register match.

But, when the Serial Timer Register (STMR) and the Serial Timer Comparison Register match during transmitting (SSR:TBI=0) at Synchronous Transmission enabled (SACSR:TSYNE="1"), transmiision is reserved. When the transmission is reserved, the transmission continues after the tarasmiision of times specified in TBYTE0 has been finished.

The transmission reservation is released with one of the following conditions:

- Programable reset (SCR:UPCL=1)
- Transmission is disabled (SCR:TXE=0)
- Data select error (SACSR:CSE=1)

To execute the synchronous reception, disable the Serial Data output (SMR:SOE=0), enable the Transmission (SCR:TXE=1) and reception (SCR:RXE=1), and write dummy data of the reception count to TDR.

Figure 4-6 Timer Synchronization Transmission Initial Setting Flowchart

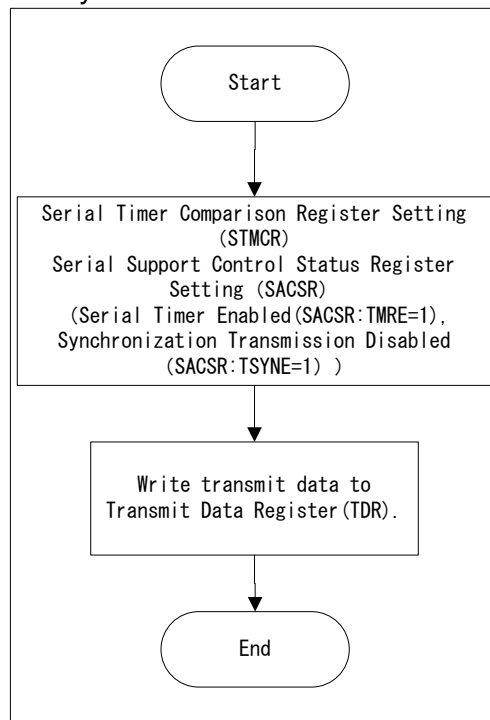
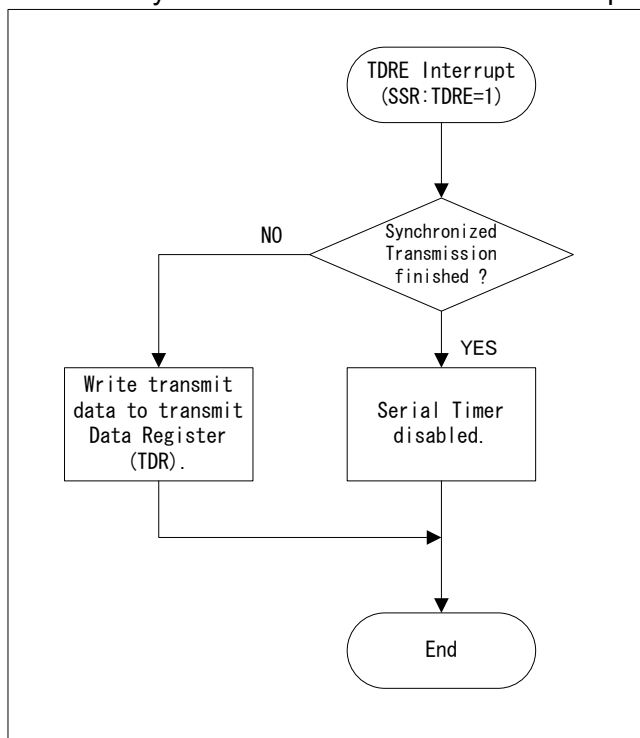


Figure 4-7 Timer Synchronization Transmission Interrupt Handling Flowchart



<Note>

When no valid data exists in the Transmit Data Register (TDR) (SSR:TDRE=1) before transmitting the data frames of set value in TBYTE, execute the operations:

- When the Transfer Byte Error is enabled (TBEEN=1), the Chip Select Error (SACSR:CSE=1) occurs. When the Chip Select Error Flag (SACSR:CSE) is set to "1", the transfer is not started even if the transmit data is written in the Transmit Data Register (TDR).
- When the Transfer Byte Error is disabled (TBEEN=0), transmission is stopped until the transmit data is written. If the transmit data is written, the transmission is restarted.

5. Serial Chip Select Operation

This section shows the serial chip select operation.

● Master mode operation (SCR:MS=0)

In master mode (SCR:MS=0), the Serial Chip Select pin operates as follows:

1. When the transmit data is written at serial chip select operation enabled (SCSCR:CSENn="1") and transmission enabled (SCR:TXE="1"), the Serial Chip Select pin becomes active.
2. After the elapse of setup time of the Serial Chip Select pin, the transmission and reception operation is started.
3. After the data transmit and reception of the times specified with TBYTE, the serial clock is stopped.
4. After the elapse of the hold time of the Serial Chip Select pin following the serial clock stop, the Serial Chip Select pin becomes active.

Figure 5-1 Serial Chip Select Operation (Master Transmission(MS=0), Normal Transfer(SPI=0), SCINV=0)

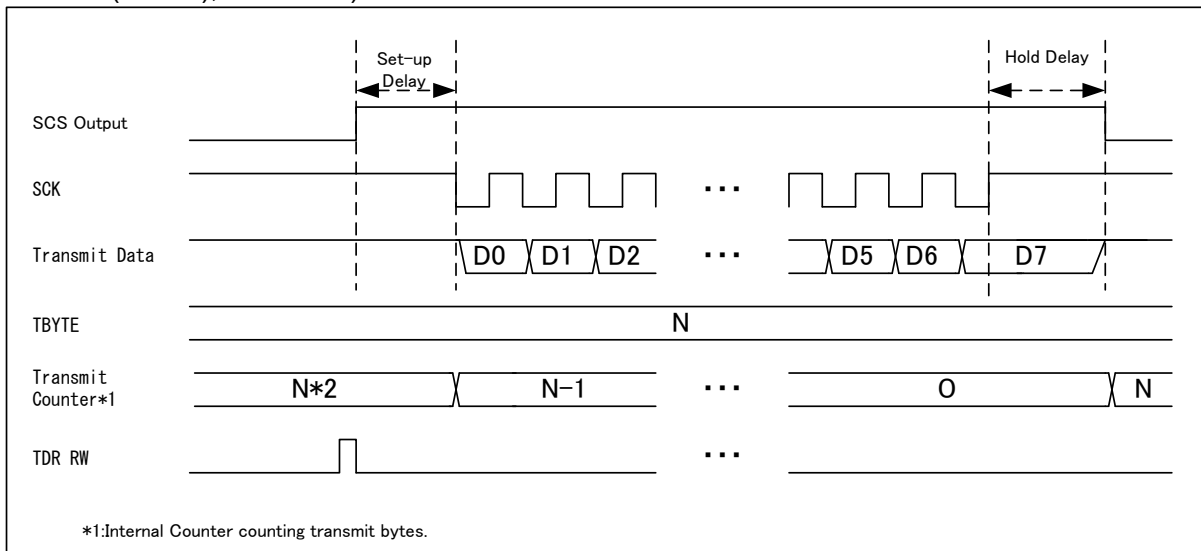
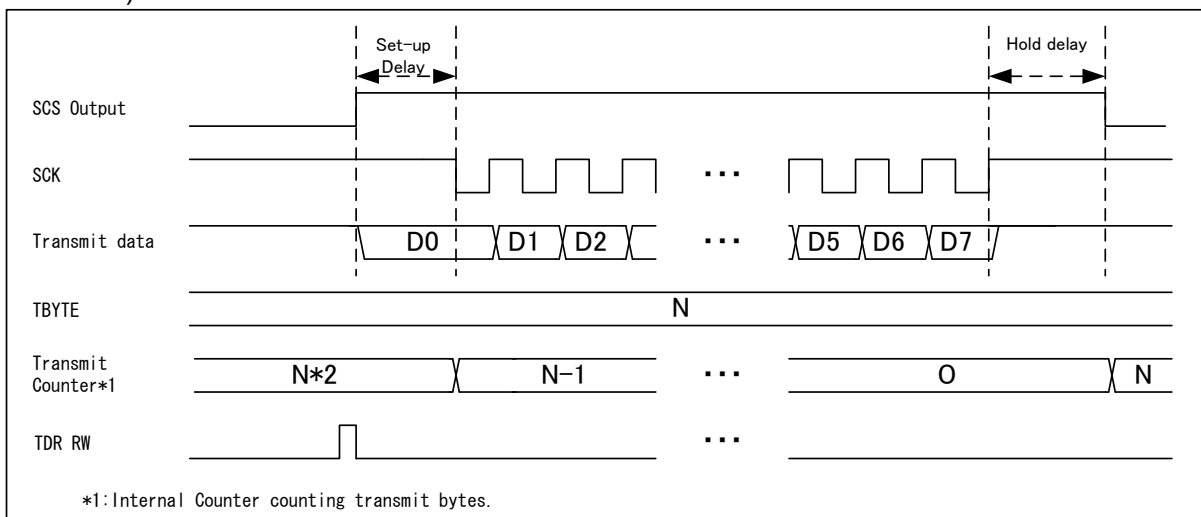


Figure 5-2 Serial Chip Select Operation (Master Transmission (MS=0), SPI Transfer (SPI=1), SCINV=0)



<Notes>

- If the transmission is disabled (SCR:TXE="1") and software reset is executed (SCR:UPCL=1) when the Serial Chip Select pin is active, the Serial Chip Select pin becomes inactive.
 - When the Serial Chip Select pin does not hold "active state" (SCSCR:SCAM=0), the Serial Chip Select pin becomes inactive and the transmission bus becomes idle state (SSR:TBI=1) if the transmit data does not exist (SSR:TDRE=1) after the elapse of deselection time.
 - When SCSCR:CSEN0 is set to "0" in the master mode operation (SCR:MS=0), the transmission and reception operation is executed irrespective of the Serial Chip Select pin state.
 - When the frames of count less than the value specified with TBYTE have been transmitted, the following operations are executed if no valid transmit data exists in the Transmit Data Register (TDR) (SSR:TDRE=1), the following operations are executed:
 - The Chip Select Error occurs (SACSR:CSE=1) when the Transfer Byte Error is enabled (TBEEN=1). The Serial Chip Select pin becomes inactive after the elapse of the hold delay time following the Chip Select Error (SACSR:CSE=1). When the Chip Select Error Flag (SACSR:CSE) is set to "1", the transmission operation is not executed even if the transmit data is written in the Transmit Data Register (TDR).
 - When the Transfer Byte Error is disabled (TBEEN=0), the transmission operation is stopped until transmit data is written in the Transmit Data Register (TDR). At this time, the Serial Chip Select pin is in active state. After the transmit data is written in the Transmit Data Register (TDR), the transmission operation is restarted.
-

● **Serial Chip Select Timing Adjustment**

When the Serial Chip Select Operation is enabled (SCSCR:CSENn="1") in Master mode operation (SCR:MS=0), setup delay, hold delay, and deselect time can be adjusted by changing the Serial Chip Select Timing Register (SCSTR3:0).

· **Setup Delay Time**

This is the period from the time when the Serial Chip Select pin becomes active to the time when serial clock is output. For the details of setup delay time, see Figure 5-3 and Figure 5-4.

This time is adjusted with Chip select setup delay bits (SCSTR0:CSSU7:0).

· **Hold Delay Time**

This is the period from the time when the serial Clock output is finished to the time when the Serial Chip Select pin becomes inactive. For the details of hold delay time, see Figure 5-3 and Figure 5-4.

This time is adjusted with Chip select hold delay bits (SCSTR1:CSDH7:0)

· **Deselect time**

This is the minimum period from the time when the Serial Chip Select pin becomes inactive to the time when the Serial Chip Select pin becomes active again. Even if transmit data is written in the Transmit Data Register (TDR) during deselecting, the Serial Chip Select pin does not become active until the deselect time is finished. For details of deselect time, see Figure 5-3 and Figure 5-4.

This time is adjusted with Chip select deselect bits (SCSTR3:2:CSDS15:0)

Figure 5-3 Timing Adjustment (Normal Transfer(SPI=0), SCINV=0)

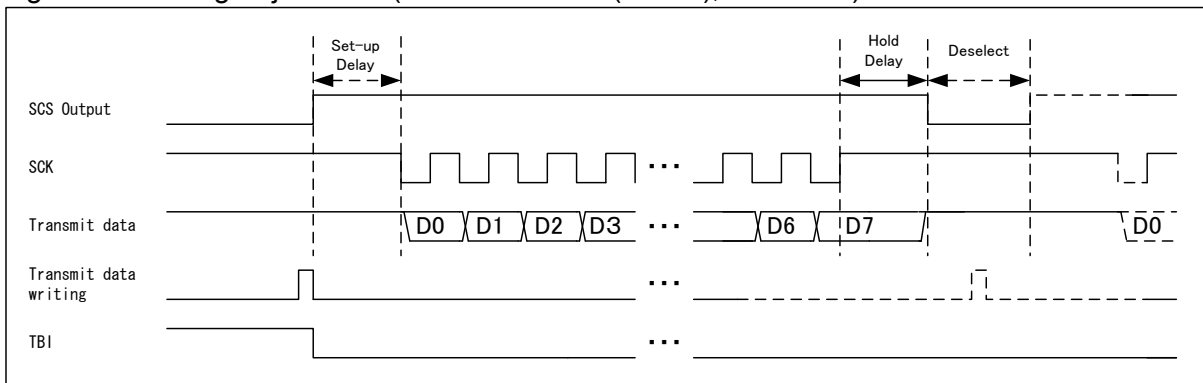
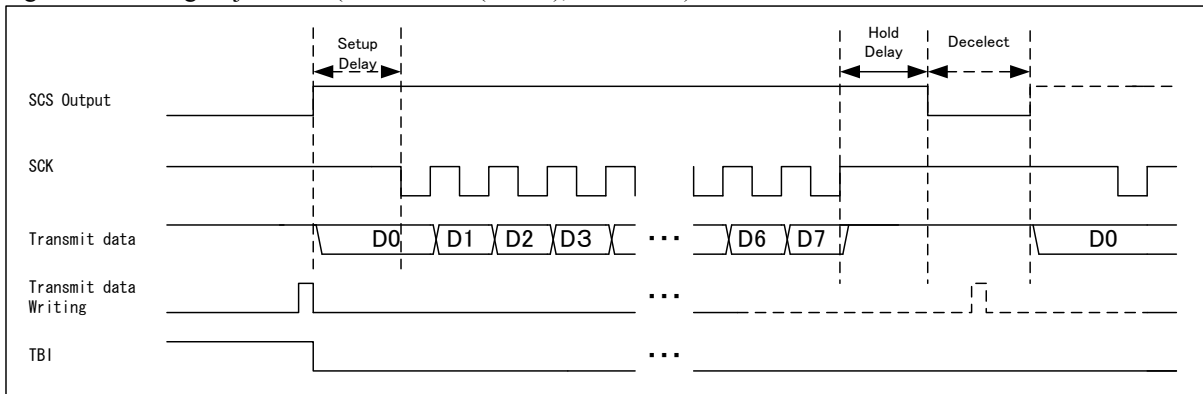


Figure 5-4 Timing Adjustment (SPI Transfer(SPI=1), SCINV=0)



<Notes>

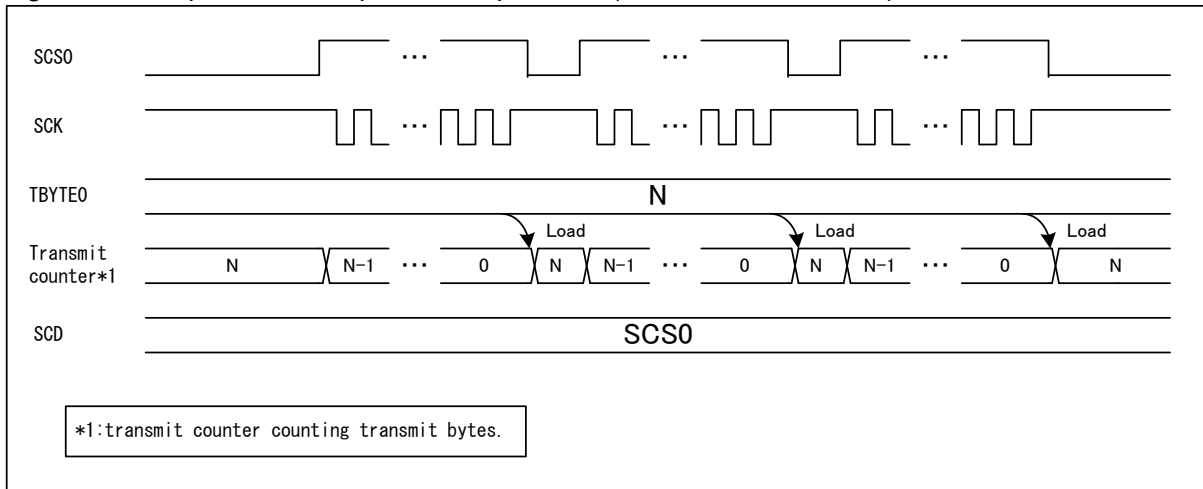
- When no hold delay time exist (SCSTR1:CSHD7:0=0x00 in normal transfer(SCR:SPI=0), the Chip Select pin may become inactive before the sampling of the last bit. In such case, increase the values SCSTR1:CSHD7:0 to adjust the above timing.
- When no setup delay time exist (SCSTR0:CSSU7:0=0x00 in normal transfer(SCR:SPI=0), the Chip Select pin may become inactive before the sampling of the first bit. In such case, increase the values SCSTR0:CSSU7:0 to adjust the above timing.

● **Chip Select Pin Independent Operation (Available only in Mater mode operation (SCR:MS=0))**

When Serial Chip Select Active is not held (SCSCR:SCAM=0), the Serial Chip Select pin becomes inactive every time when the data transmission and reception of times specified withy TBYTE is executed.

For the operation of the Serial Chip Select pin when Serial Chip Select Active is held (SCSCR:SCAM=1), see “Serial Chip Select Active Held Operation”.

Figure 5-5 Chip Select Independent Operation (CSEN0=1, SCAM=0)



*1:transmit counter counting transmit bytes.

<Note>

At the independent operation, the timing adjustment (for setup time, hold time, and deselect time) of the Serial Chip Select pin is available.

● **Serial Chip Select Active Held Operation (SCSCR:SCAM=1) (Available only in master mode operation (SCR:MS=0))**

When the transmission is started with setting the Serial Chip Select Active Holding bit (SCSCR:SCAM) to “1”, the Serial Chip Select pin is held in “Active State”.

Table 5-1 Serial Chip Select Active Holding bit (SCSCR:SCAM)

Present State	Present SCSCR: SCAM bit	Present SSR: TDRE bit	Next State
Transmitting (Transmit count < TBYTE)	0	-	The Serial Chip Select pin is held in “Active state” until the frames of count specified with TBYTE are transmitted.
	1		
the transmission of frames of count specified with TBYTE are finished.	0	0	After the hold delay time, sets the Serial Chip Select pin to “inactive”. After the elapse of deselect time, the next transmission is started.
		1	After the hold delay time, sets the Serial Chip Select pin to “inactive”. After the elapse of deselect time, the transmission is stopped until the next transmit data is written.
	1	1	Holds the Serial Chip Select to be “active”.
		0	In active state of Serial Chip Select pin, the transmission continues. The Serial Chip Select pin holds to be active until the frames of count specified with TBYTE again.
Chip Select Error occurs (SACSR:CSE=1)	-	-	Irrespective of SCAM setting, the Serial Chip Select is set to be inactive after the hold delay time is elapsed.
Software reset is executed (SCR:UPCL=1)	-	-	Irrespective of SCAM setting, the Serial Chip Select is set to be inactive immediately.
Transmission disabled (SCR:TXE=0)			

<Note>

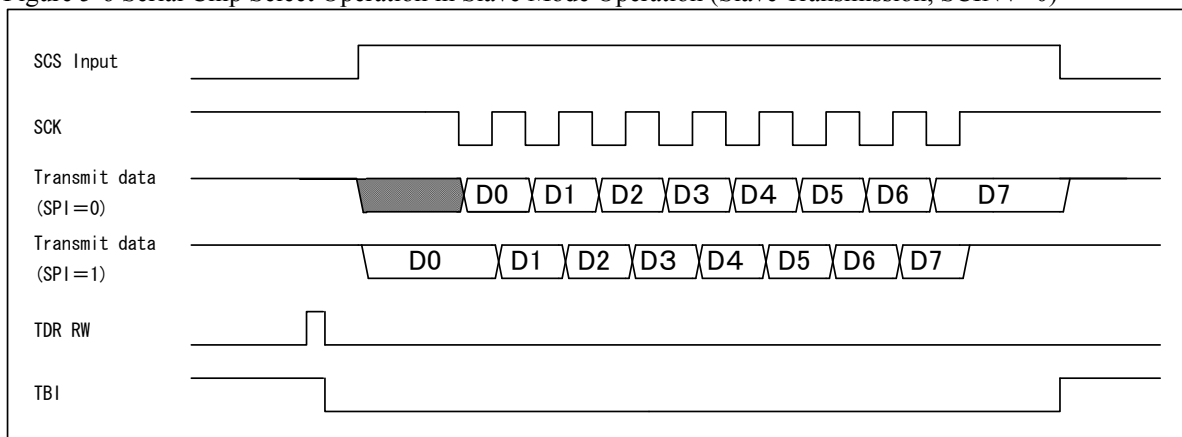
When all the following conditions are met, the Serial Chip Select pin is not held, and the Serial Chip Select pin becomes inactive after the elapse of the hold delay time, and Chip Select Error occurs (SACSR:CSE=1).

- Transfer byte error is enabled (SACSR:TBEEN=1).
- The data transmission and reception of counts specified with TBYTE is not finished.
- The transmit data register (TDR) is empty (SSR:TDRE=1).

● **Slave Mode Operation (SCR:MS=1)**

When the Serial Chip Select pin0(SCS0) is enabled (SCSCR:CSEN0="1") and the input of the Serial Chip Select pin becomes active, the transmission or reception operation is executed in synchronization of serial clock (SCK). Then, when the input of Serial Chip Select pin becomes inactive, the transmission or reception operation is finished.

Figure 5-6 Serial Chip Select Operation in Slave Mode Operation (Slave Transmission, SCINV=0)



<Notes>

- While the Serial Chip Select pin input is in “inactive state”, the operation is not started even if the serial clock is input.
- During reception operation, the Serial Chip Select input becomes inactive state before the last bit is sampled, the data received is deleted.
- During transmission operation, the Serial Chip Select input becomes inactive state, the data transmitted is deleted and chip select error (SACSR:CSE) occurs.
- When TDR is empty (SSR:TDRE=1) and the Serial Chip Select input becomes inactive state, transmit bus idle state occurs(SSR:TBI=1).
- In Slave Mode Operation (SCR:MS=1), when SCSCR:CSEN0 is set to “0”, the data transmission and reception is executed irrespective of the Serial Chip Select pin state.

6. Dedicated baud rate generator

The dedicated baud rate generator functions in the master mode operation only. However, if received FIFO is used, set the dedicated baud rate generator in the slave mode operation, too.

■ CSIO (Clock Synchronous Serial Interface) baud rate selection

The dedicated baud rate generator settings vary depending on the master or slave mode operation.

[1] During master mode operation

● Divide the internal clock frequency using the dedicated baud rate generator, and select a baud rate.

- This generator provides two internal reload counters, which support transmitting and receiving serial clocks respectively. To select the baud rate, specify the 15-bit reload value using Baud Rate Generator Registers 1 and 0 (BGR1 and BGR0).
- The internal clock frequency is divided by the reload counter set value.

[2] During slave mode operation

The dedicated baud rate generator does not function in the slave mode operation (SCR:MS=1).
(An external clock, entered from the SCK clock input pin, is used directly.)

<Note>

If received FIFO is used, set the dedicated baud rate generator even in the slave mode operation.

6.1. Baud rate settings

This section explains how to set the baud rate. Also, the calculation result of serial clock frequency is shown.

■ Calculating the baud rate

Two 15-bit reload counters are set using the Baud Rate Generator Registers 1 and 0 (BGR1 and BGR0). The baud rate is obtained in the following formulas.

(1) Reload value

$$V = \phi / b - 1$$

V : Reload value; b : Baud rate; ϕ : Bus clock frequency

(2) Calculation example

To set the 16 MHz bus clock, use the internal clock, and set the 19200 bps baud rate, set the reload value as follows:

Reload value:

$$V = (16 \times 1000000) / 19200 - 1 = 832$$

Therefore, the baud rate is:

$$b = (16 \times 1000000) / (832 + 1) = 19208 \text{ bps}$$

(3) Baud rate error

The baud rate error can be calculated by the following equation.

$$\text{Error (\%)} = (\text{Calculated value} - \text{Target value}) / \text{Target value} \times 100$$

Example: To set the 20 MHz bus clock and 153600 bps target baud rate:

$$\text{Reload value} = (20 \times 1000000) / 153600 - 1 = 129$$

$$\text{Baud rate (Calculated value)} = (20 \times 1000000) / (129 + 1) = 153846 \text{ (bps)}$$

$$\text{Error (\%)} = (153846 - 153600) / 153600 \times 100 = 0.16 \text{ (\%)}$$

<Notes>

- If the reload value is set to "0", the reload counter is stopped.
- If the reload value is even, the "HIGH" and "LOW" width of serial clock changes as follows, depending on SMR:SCINV bit and SCR:SPI bit settings. If the value is odd, the serial clock has the same "HIGH" and "LOW" signal width.
 - When in normal transfer (SCR:SPI=0) and the mark level of the serial clock is "HIGH" (SMR:SCINV=0), or when in SPI transfer (SCR:SPI=1) and the mark level of the serial clock is "LOW" (SMR:SCINV=1), the "HIGH" width of serial clock is longer for 1 cycle of bus clock.
 - When in normal transfer (SCR:SPI=0) and the mark level of the serial clock is "LOW" (SMR:SCINV=1), or when in SPI transfer (SCR:SPI=1) and the mark level of the serial clock is "HIGH" (SMR:SCINV=0), the "LOW" width of serial clock is longer for 1 cycle of bus clock.
- Set the reload value to 3 or more.

■ Reload values and baud rates for each bus clock frequency

Table 6-1 Reload values and baud rates

Baud rate (bps)	8 MHz		10 MHz		16 MHz		20 MHz		24 MHz		32 MHz	
	Value	ERR	Value	ERR	Value	ERR	Value	ERR	Value	ERR	Value	ERR
8M	-	-	-	-	-	-	-	-	-	-	3	0
6M	-	-	-	-	-	-	-	-	3	0	-	-
5M	-	-	-	-	-	-	3	0	-	-	-	-
4M	-	-	-	-	3	0	4	0	5	0	7	0
2.5M	-	-	3	0	-	-	7	0	-	-	-	-
2M	3	0	4	0	7	0	9	0	11	0	15	0
1M	7	0	9	0	15	0	19	0	23	0	31	0
500000	15	0	19	0	31	0	39	0	47	0	63	0
460800	-	-	-	-	-	-	-	-	51	0.16	-	-
250000	31	0	39	0	63	0	79	0	95	0	127	0
230400	-	-	-	-	-	-	86	-0.22	103	0.16	-	-
153600	51	0.16	64	0.16	103	0.16	129	0.16	155	0.16	207	0.16
125000	63	0	79	0	127	0	159	0	191	0	255	0
115200	-	-	86	-0.22	138	-0.08	173	-0.22	207	0.16	277	-0.08
76800	103	0.16	129	0.16	207	0.16	259	0.16	311	-0.16	416	-0.08
57600	138	-0.08	173	-0.22	277	-0.08	346	0.06	416	-0.08	555	-0.08
38400	207	0.16	259	0.16	416	-0.08	520	-0.03	624	0	832	0.04
28800	277	-0.08	346	0.06	554	-0.01	693	0.06	832	0.03	1110	0.01
19200	416	-0.08	520	-0.03	832	-0.03	1041	-0.03	1249	0	1666	-0.02
10417	767	<0.01	959	<0.01	1535	<0.01	1919	<0.01	2303	<0.01	3071	<0.01
9600	832	0.04	1041	-0.03	1666	-0.02	208	0.01	2499	0	3332	0.01
7200	1110	<0.01	1388	<0.01	2221	<0.01	2777	<0.01	3332	<0.01	4443	0.01
4800	1666	-0.02	2082	-0.02	3332	<0.01	4166	<0.01	4999	0	6666	<0.01
2400	3332	<0.01	4166	<0.01	6666	<0.01	8332	<0.01	9999	0	13332	<-0.01
1200	6666	<0.01	8332	<0.01	13332	<0.01	16666	<0.01	19999	0	26666	<0.01
600	13332	<0.01	16666	<0.01	26666	<0.01	-	-	-	-	-	-
300	26666	<0.01	-	-	-	-	-	-	-	-	-	-

- Value: BGR1/0 register set value

- ERR: Baud rate error (%)

Table 6-2 Reload values and baud rates (Continued)

Baud rate (bps)	40 MHz		48 MHz		72 MHz		80 MHz	
	Value	ERR	Value	ERR	Value	ERR	Value	ERR
8M	4	0	5	0	8	0	9	0
6M	-	-	7	0	11	0	-	-
5M	7	0	-	-	-	-	15	0
4M	9	0	11	0	17	0	19	0
2.5M	15	0	-	-	-	-	31	0
2M	19	0	23	0	35	0	39	0
1M	39	0	47	0	71	0	79	0
500000	79	0	95	0	143	0	159	0
460800	86	-0.22	103	0.16	155	0.16	173	-0.22
250000	159	0	191	0	287	0	319	0
230400	173	-0.22	207	0.16	312	-0.16	346	0.06
153600	259	0.16	312	-0.16	468	-0.05	520	-0.03
125000	319	0	383	0	575	0	639	0
115200	346	0.06	416	-0.08	624	0	693	0.06
76800	520	-0.03	624	0	937	-0.05	1041	-0.03
57600	693	0.06	832	0.04	1249	0	1388	<0.01
38400	1041	-0.03	1249	0	1874	0	2082	0.01
28800	1388	<0.01	1666	-0.02	2499	0	2777	<0.01
19200	2082	0.01	2499	0	3749	0	4166	-0.01
10417	3839	<0.01	4607	<0.01	6911	<0.01	7679	0
9600	4166	<0.01	4999	0	7499	0	8332	0
7200	5555	<0.01	6666	<0.01	9999	0	11110	0
4800	8332	<0.01	9999	0	14999	0	16666	0
2400	16666	<0.01	19999	0	29999	0	-	-
1200	-	-	-	-	-	-	-	-
600	-	-	-	-	-	-	-	-
300	-	-	-	-	-	-	-	-

- Value: BGR1/0 register set value
- ERR: Baud rate error (%)

For frequencies not described in Table 6-1 and Table 6-2, calculate them conforming to the formula in “6.1 Baud rate settings”. (However, for the maximum frequency, see “Data Sheet” of the product used because it is varied by products.)

■ Functions of reload counter

There are two types of reload counter: the transmit reload counter and the received reload counter. They function as the dedicated baud rate generators. Each reload counter consists of a 15-bit register for the reload value, and generates transmitting and receiving clocks from internal clocks.

■ Starting counting

When the reload value is written to the Baud Rate Generator Register (BGR1 or BGR0), the reload counter starts counting.

■ Restarting

The reload counter restarts counting in the following conditions.

● Common to transmit and received reload counters

A programmable reset (SCR:UPCL bit)

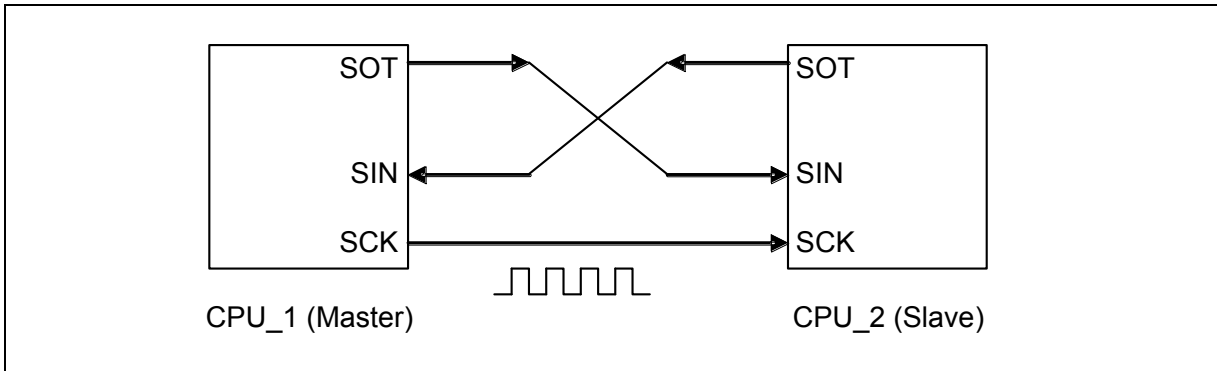
6.2. CSIO (Clock Synchronous Serial Interface) setup procedure and program flow

The CSIO (Clock Synchronous Serial Interface) allows bidirectional and synchronous serial data transmission.

● CPU-to-CPU connection

Select the bidirectional communication for the CSIO (Clock Synchronous Serial Interface). Connect two CPUs to each other as shown in Figure 6-1.

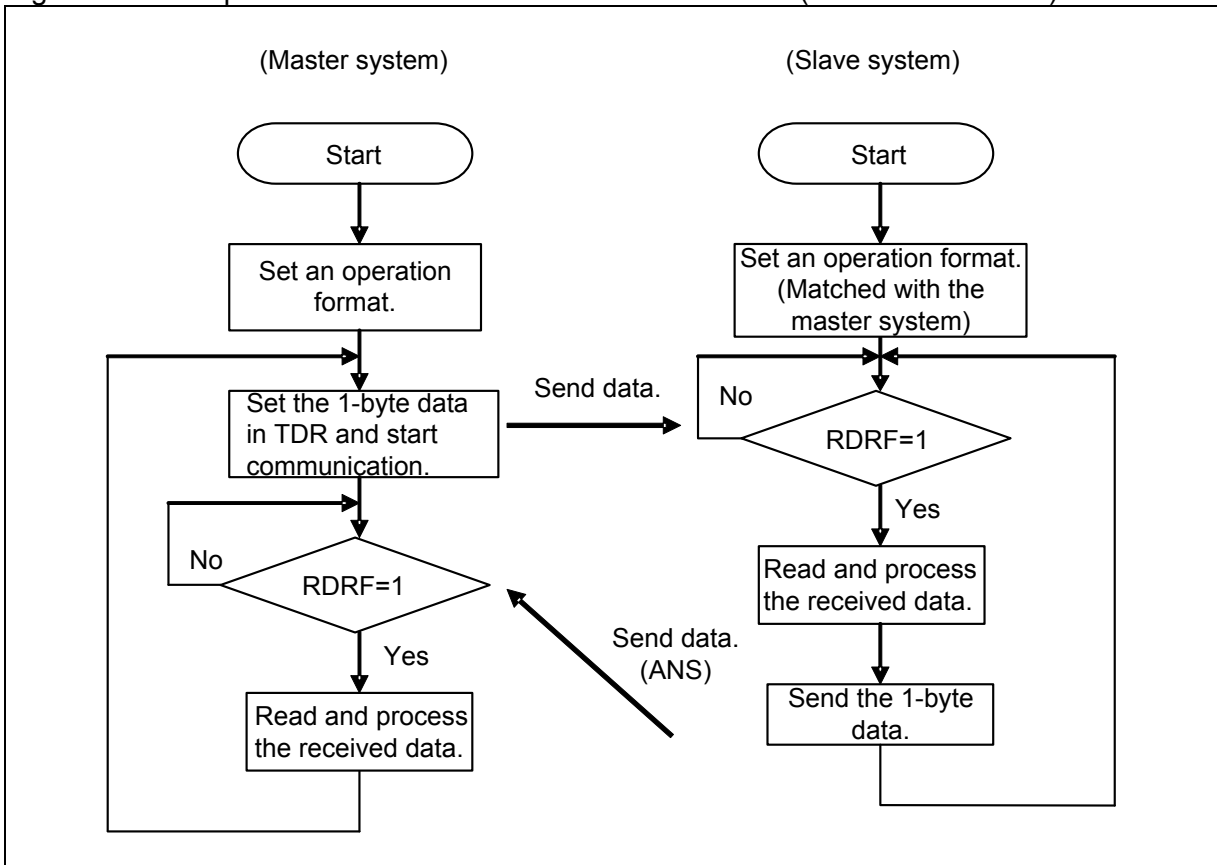
Figure 6-1 Connection example for CSIO (Clock Synchronous Serial Interface) bidirectional communication



■ Flowcharts

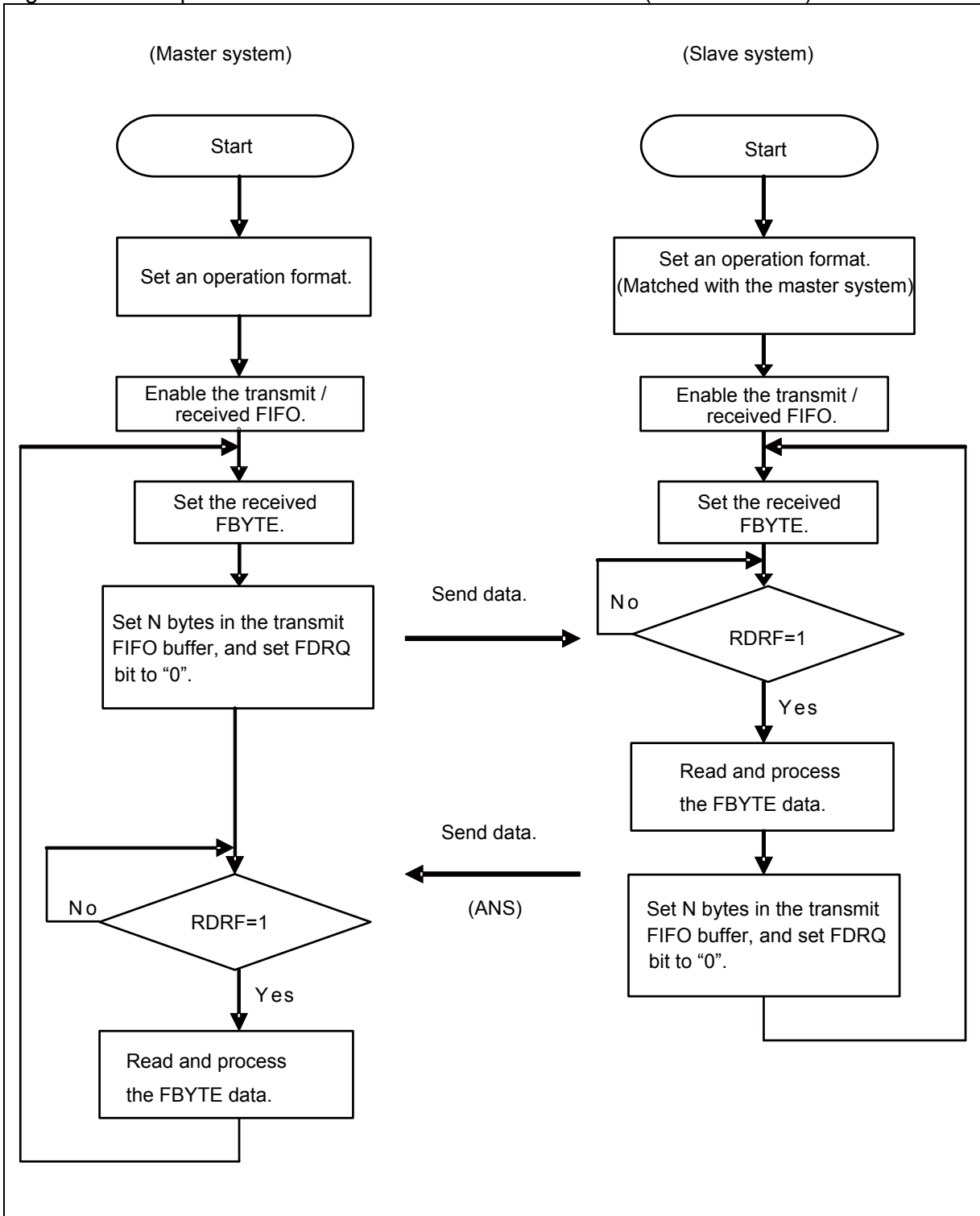
● If FIFO is not used

Figure 6-2 Example of bidirectional communication flowchart (if FIFO is not used)



● If FIFO is used

Figure 6-3 Example of bidirectional communication flowchart (if FIFO is used)



7. CSIO (Clock Synchronous Serial Interface) registers

This section provides a list of CSIO (Clock Synchronous Serial Interface) registers.

■ CSIO (Clock Synchronous Serial Interface) register list

Table 7-1 CSIO (Clock Synchronous Serial Interface) register list

	bit15	bit8	bit7	bit0	
CSIO	SCR (Serial Control Register)		SMR (Serial Mode Register)		
	SSR (Serial Status Register)		ESCR (Extended Communication Control Register)		
	RDR1/TDR1 (Transmit/Received Data register 1)		RDR0/TDR0 (Transmit/Received Data register 0)		
	SACSR (Serial Support Control Status Register)				
	STMCR (Serial Timer Comparison Register)				
	SCSTR1 (Serial Chip Select Timing Register1)				
	SCSTR3 (Serial Chip Select Timing Register3)		SCSTR2 (Serial Chip Select Timing Register2)		
	-		TBYTE0(Transfer Byte Register0)		
	BGR1 (Baud Rate Generator Register 1)		BGR0 (Baud Rate Generator Register 0)		
	FIFO	FCR1 (FIFO Control Register 1)		FCR0 (FIFO Control Register 0)	
		FBYTE2 (FIFO2 Byte Register)		FBYTE1 (FIFO1 Byte Register)	

Table 7-2 CSIO (Clock Synchronous Serial Interface) bit assignment

	bit15	bit14	bit13	bit12	bit11	bit10	bit9	bit8	bit7	bit6	bit5	bit4	bit3	bit2	bit1	bit0
SCR/ SMR	UPCL	MS	SPI	RIE	TIE	TBIE	RXE	TXE	MD2	MD1	MD0	-	SCINV	BDS	SCKE	SOE
SSR/ ESCR	REC	-	-	AWC	ORE	RDRF	TDRE	TBI	SOP	I3	-	WT1	WT0	L2	L1	L0
TDR1/0 (RDR1/0)	D15	D14	D13	D12	D11	D10	D9	D8	D7	D6	D5	D4	D3	D2	D1	D0
TDR3/2 (RDR3/2)	D31	D30	D29	D28	D27	D26	D25	D24	D23	D22	D21	D20	D19	D18	D17	D16
SACSR	-	-	TBEEN	CSEIE	CSE	-	-	TINT	TINTE	TSYNE	-	TDIV3	TDIV2	TDIV1	TDIV0	TMRE
STMR	TM15	TM4	TM3	TM2	TM11	TM10	TM9	TM8	TM7	TM6	TM5	TM4	TM3	TM2	TM1	TM0
STMCR	TC15	TC14	TC13	TC12	TC11	TC10	TC9	TC8	TC7	TC6	TC5	TC4	TC3	TC2	TC1	TC0
SCSCR	-	-	-	-	-	-	SCAM	CDIV2	CDIV1	CDIV0	CSLVL	-	-	-	CSEN0	CSEO
SCSTR 1/0	CSSU7	CSSU6	CSSU5	CSSU4	CSSU3	CSSU2	CSSU1	CSSU0	CSHD7	CSHD6	CSHD5	CSHD4	CSHD3	CSHD2	CSHD1	CSHD0
SCSTR 3/2	CSDS 15	CSDS 14	CSDS 13	CSDS 12	CSDS 11	CSDS 10	CSDS9	CSDS8	CSDS7	CSDS6	CSDS5	CSDS4	CSDS3	CSDS2	CSDS1	CSDS0
TBYTE0	-	-	-	-	-	-	-	-	CS0 TD7	CS0 TD6	CS0 TD5	CS0 TD4	CS0 TD3	CS0 TD2	CS0 TD1	CS0 TD0
BGR1/ BGR0	-	B14	B13	B12	B11	B10	B9	B8	B7	B6	B5	B4	B3	B2	B1	B0
FCR1/ FCR0	-	-	-	FLSTE	FRIIE	FDRQ	FTIE	FSEL	-	FLST	FLD	FSET	FCL2	FCL1	FE2	FE1
FBYTE2/ FBYTE1	FD15	FD14	FD13	FD12	FD11	FD10	FD9	FD8	FD7	FD6	FD5	FD4	FD3	FD2	FD1	FD0

7.1. Serial Control Register (SCR)

The Serial Control Register (SCR) is used to enable/disable a transmit/received interrupt, enable/disable a transmit idle interrupt, and enable/disable data transmission and reception. Also, the register can set the SPI connection and reset the CSIO settings.

bit	15	14	13	12	11	10	9	8	7	...	0
Field	UPCL	MS	SPI	RIE	TIE	TBIE	RXE	TXE	(SMR)		
Attribute	R/W	R/W	R/W	R/W	R/W	R/W	R/W	R/W			
Initial value	0	0	0	0	0	0	0	0			

[bit15] UPCL: Programmable clear bit
 Initializes the CSIO internal state.

If set to "1":

- The CSIO is reset directly (software reset). However, the current register settings are kept. The transmit or received state is disconnected immediately.
- The baud rate generator reloads the BGR1/0 register value and restarts operation.
- All of transmit/received interrupt factors (SSR:TDRE, TBI, RDRF, ORE, TINT, CSE) are initialized.
- All of Serial Chip Sselect pins become inactive state.

If set to "0":

No effect on the operation.

"0" is always read from this bit.

bit	Description	
	At writing	At reading
0	No effect on the operation.	"0" is always read.
1	Programmable clear	

<Notes>

- Disable an interrupt first, and then execute the programmable clear instruction.
- If the FIFO operation is used, disable it (FCR0:FE[2:1]=00) first and then execute the programmable clear instruction.

[bit14] MS: Master/Slave function select bit

Selects the master or slave mode.

bit	Description
0	Master mode
1	Slave mode

<Notes>

- If the slave mode is selected and if SMR:SCKE=0, the external clock is entered directly.
- After you have set the MS bit, enable data reception (RXE=1).

[bit13] SPI: SPI corresponding bit

This bit allows the SPI communication.

bit	Description
0	Normal synchronous transfer
1	SPI correspond

<Notes>

- Set this bit when the data transmission and reception is disabled (TXE=RXE=0).
- This bit is used for one of the following cases[*]:
 - When the Chip Select pin is disabled (SCSCR:CSEN0="0").
 - When in Slave Mode Operation (SCR:MS=1)

[bit12] RIE: Received interrupt enable bit

- This bit enables or disables an output of received interrupt request to the CPU.
- If the RIE bit and the received data flag bit (SSR:RDRF) are "1", or if any of error flag bits (ORE) is "1", a received interrupt request is output.

bit	Description
0	Disables the received interrupt.
1	Enables the received interrupt.

[bit11] TIE: Transmit interrupt enable bit

- This bit enables or disables an output of transmit interrupt request to the CPU.
- If the TIE and SSR:TDRE bits are "1", a transmit interrupt request is output.

bit	Description
0	Disables a transmit interrupt.
1	Enables a transmit interrupt.

[bit10] TBIE: Transmit bus idle interrupt enable bit

- This bit enables or disables an output of transmit bus idle interrupt request to the CPU.
- If the TBIE bit and SSR:TBI bit are "1", a transmit bus idle interrupt request is output.

bit	Description
0	Disables the transmit bus idle interrupt.
1	Enables the transmit bus idle interrupt.

[bit9] RXE: Data received enable bit

Enables or disables a CSIO data reception.

bit	Description
0	Disables data reception.
1	Enables data reception.

<Notes>

- If data reception is disabled (RXE=0), the current data reception is stopped immediately.
- After you have set the MS bit and SMR:SCINV bit, enable the data reception (RXE=1).

[bit8] TXE: Data transmission enable bit

Enables or disables a CSIO data transmission.

bit	Description
0	Disables the transmission.
1	Enables the transmission.

<Notes>

- If data transmission is disabled (TXE=0), the current data transmission is stopped immediately.
- When the Serial Chip Select is used (SCSCR:CSEN=1) in Master Mode Operation(SCR:MS=1), execute the programmable reset. (SCR:UPCL=1)

7.2. Serial Mode Register (SMR)

The Serial Mode Register (SMR) is used to select an operation mode, to set a transmission direction, data length and serial clock inversion, and to enable or disable an output of serial data and clock to their pins.

bit	15	...	8	7	6	5	4	3	2	1	0
Field	(SCR)			MD2	MD1	MD0	-	SCINV	BDS	SCKE	SOE
Attribute				R/W	R/W	R/W	-	R/W	R/W	R/W	R/W
Initial value				0	0	0	-	0	0	0	0

[bit7:5] MD2, MD1, MD0: Operation mode set bits

These bits set an operation mode.

"0b000": Sets operation mode 0 (asynchronous normal mode).

"0b001": Sets operation mode 1 (asynchronous multiprocessor mode).

"0b010": Sets operation mode 2 (clock synchronous mode).

"0b011": Sets operation mode 3 (LIN communication mode).

"0b100": Sets operation mode 4 (I²C mode).

*This chapter explains the registers and their operation in operation mode 2 (clock synchronous mode).

bit7	bit6	bit5	Description
0	0	0	Operation mode 0 (asynchronous normal mode)
0	0	1	Operation mode 1 (asynchronous multiprocessor mode)
0	1	0	Operation mode 2 (clock synchronous mode)
0	1	1	Operation mode 3 (LIN communication mode)
1	0	0	Operation mode 4 (I ² C mode)
Values other than the above			Setting is prohibited.

<Notes>

- Any bit setting other than above is prohibited.
- To switch the current operation mode, issue a programmable clear instruction (SCR:UPCL=1) and switch the operation mode continuously.
- After the operation mode has been set, set each register correctly.

[bit4] Reserved: Reserved bit

The read value is "0". Be sure to write "0".

[bit3] SCINV: Serial clock invert bit

Inverts the serial clock format. This bit is used for the communication of the Serial Chip Select pin0 when the chip select is used in the master mode operation (SCR:MS=0).

If set to "0":

- The signal mark level of serial clock output is set to "HIGH".
- The transmit data is output at a falling edge of serial clock during normal transfer, but it is output in synchronization with a rising edge of serial clock during SPI transfer.
- The received data is sampled at a rising edge of serial clock during normal transfer, but it is sampled at a falling edge of serial clock during SPI transfer.

If set to "1":

- The signal mark level of serial clock output is set to "LOW".
- The transmit data is output at a rising edge of serial clock during normal transfer, but it is output in synchronization with a falling edge of serial clock during SPI transfer.
- The received data is sampled at a falling edge of serial clock during normal transfer, but it is sampled at a rising edge of serial clock during SPI transfer.

bit	Description
0	Signal mark level "HIGH" format
1	Signal mark level "LOW" format

<Notes>

- Always set this bit when transmission and reception are disabled (TXE=RXE=0).
- After setting the SCINV bit, enable data reception (SCR:RXE=1).
- This bit is used in the one of the following cases:
 - When the chip select pin is disabled (SCSCR:CSEN="0")
 - In slave mode operation (SCR:MS=1)

[bit2] BDS: Transfer direction select bit

Specifies to transfer the least significant bit of the transfer serial data first (LSB first; BDS=0) or the most significant bit first (MSB first; BDS=1).

bit	Description
0	LSB first (The least significant bit is first transferred.)
1	MSB first (The most significant bit is first transferred.)

<Notes>

- Always set this bit when transmission and reception are disabled (SCR:TXE=RXE=0).
- This bit is used in the one of the following cases:
 - When the chip select pin is disabled (SCSCR:CSEN="0")
 - In slave mode operation (SCR:MS=1)

[bit1] SCKE: Master mode serial clock output enable bit

This bit controls the serial clock I/O port.

bit	Description
0	Disables a serial clock output.
1	Enables a serial clock output.

<Note>

If this bit is used as the SCK pin, the GPIO must also be set.

[bit0] SOE: Serial data output enable bit

This bit enables or disables a serial data output.

bit	Description
0	Disables a serial data output.
1	Enables a serial data output.

<Note>

If this bit is used as the SOT pin, the GPIO must also be set.

7.3. Serial Status Register (SSR)

The Serial Status Register (SSR) is used to check the current transmission/reception state, check the Received Error flag, and clear the Received Error flag.

bit	15	14	13	12	11	10	9	8	7	...	0
Field	REC	-	-	AWC	ORE	RDRF	TDRE	TBI	(ESCR)		
Attribute	R/W	-	-	R/W	R	R	R	R			
Initial value	0	-	-	0	0	0	1	1			

[bit15] REC: Received error flag clear bit

This bit clears the ORE flag of the Serial Status Register (SSR).

- If this bit is set to "1", the error flag is cleared.
- This bit has no effect on the operation if set to "0".

"0" is always read.

bit	Description	
	At writing	At reading
0	No effect on the operation.	"0" is always read.
1	Clears the Received Error flag (FRE, ORE).	

[bit14:13] - : Unused bits

The values of these bits are undefined when read.
 These bits have no effect on the operation when written.

[bit12] AWC: Access Width Control bit

Selects 16-bit access or 32-bit access at the access to Transmit Data Register (TDR) and Received Data Register (RDR).

bit	Access Width Control bit
0	16-bit access
1	32-bit access

<Note>

Change this bit only when no data exists in TDR and RDR (SSR:TDRE=1, SSR:RDRF=0) at transmission and reception disabled (SCR:TXE=RXE=0).

[bit11] ORE: Overrun error flag bit

- If an overrun occurs during data reception, this bit is set to "1". This is cleared if the REC bit of Serial Status Register (SSR) is set to "1".
- If the ORE and SCR:RIE bits are "1", a received interrupt request is output.
- If this flag is set, data of the Received Data Register (RDR) is invalid.
- If this flag is set when received FIFO is used, the received FIFO enable bit is cleared and the received data is not stored in received FIFO.

bit	Description
0	No overrun error occurred.
1	An overrun error occurred.

[bit10] RDRF: Received data full flag bit

- This flag shows the state of Received Data Register (RDR).
- When the received data is loaded in the RDR, this bit is set to "1". When data is read from the Received Data Register (RDR), this bit is cleared to "0".
- If the RDRF bit and SCR:RIE bit are "1", a received interrupt request is output.
- If received FIFO is used and if the preset amount of data is received in received FIFO, the RDRF bit is set to "1".
- If received FIFO is used, if both of the following conditions are satisfied, and if the Received Idle state continues more than 8 baud rate clocks, the RDRF bit is set to "1".
 - The received FIFO idle detect enable bit (FCR1:FRIIE) is "1".
 - The preset data amount is not received and some data remains in received FIFO.

If the RDR data is read during counting of 8 clocks, this counter is reset to "0", and counting for 8 clocks is restarted.

- If the received FIFO is used and if this buffer is emptied, this bit is cleared to "0".

bit	Description
0	The Received Data Register (RDR) is empty.
1	The Received Data Register (RDR) contains data.

[bit9] TDRE: Transmit data empty flag bit

- This flag shows the state of Transmit Data Register (TDR).
- If transmit data is written in the TDR, this bit is set to "0" to indicate that the TDR contains valid data. When data is loaded to the transmit shift register and when the transmission is started, this bit is set to "1" to indicate that the TDR does not have the valid data.
- If the TDRE bit and SCR:TIE bit are "1", a transmit interrupt request is output.
- When the UPCL bit of the Serial Control Register (SCR) is set to "1", the TDRE bit is set to "1".
- For the TDRE bit set/reset timing when transmit FIFO is used, see "2.4 Interrupt and flag set timing when transmit FIFO is used".

bit	Description
0	The Transmit Data Register (TDR) contains data.
1	The Transmit Data Register (TDR) is empty.

[bit8] TBI: Transmit bus idle flag bit

- This bit indicates that the CSIO is not transmitting data.
- When data is written in the Transmit Data Register (TDR), this bit is set to "0".
- If the Transmit Data Register (TDR) is empty (TDRE=1) and if no transmission is started, this bit is set to "1".
- When the UPCL bit of the Serial Control Register (SCR) is set to "1", the TDRE bit is set to "1".
- If this bit is "1" and if a transmit bus Idle interrupt is enabled (SCR:TBIE=1), a transmit interrupt request is output.

bit	Description
0	During data transmission
1	No data transmission

7.4. Extended Communication Control Register (ESCR)

The Extended Communication Control Register (ESCR) is used to set a transmit/received data length and to fix the serial data output to the "HIGH" state.

bit	15	...	8	7	6	5	4	3	2	1	0
Field	-			SOP	L3	Reserved	WT1	WT0	L2	L1	L0
Attribute				R/W	R/W	-	R/W	R/W	R/W	R/W	R/W
Initial value				0	0	-	0	0	0	0	0

[bit7] SOP: Serial output pin set bit

- This bit sets the serial data output pin to the "HIGH" state. When this bit is set to "1", the SOT pin is set to "HIGH". After that, this bit needs not be set to "0".
- When it is read, "0" is always read.

bit	Description	
	At writing	At reading
0	No effect on the operation.	"0" is always read.
1	Sets the SOT pin to "HIGH" state.	

<Note>

Do not set this bit during serial data transmission.

[bit5] Reserved : Reserved bit

The read value is "0". Be sure to write "0"

[bit4:3] WT1, WT0: Data transmit/received wait select bits

In master mode operation, these bits set a wait count for continuous data transmission or reception. In slave mode operation, these bits are set to "00".

- When "00" is set, SCK is output continuously.
- When "01" is set, SCK is output after 1-bit time wait.
- When "10" is set, SCK is output after 2-bit time wait.
- When "11" is set, SCK is output after 3-bit time wait.

bit4	bit3	Description
0	0	0 bit
0	1	1 bit
1	0	2 bits
1	1	3 bits

[bit6, bit2:0]L3, L2, L1, L0: Data length select bits
 These bits set a length of transmit/received data.

L3	L2	L1	L0	Description
0	0	0	0	8-bit length
0	0	0	1	5-bit length
0	0	1	0	6-bit length
0	0	1	1	7-bit length
0	1	0	0	9-bit length
0	1	0	1	10-bit length
0	1	1	0	11-bit length
0	1	1	1	12-bit length
1	0	0	0	13-bit length
1	0	0	1	14-bit length
1	0	1	0	15-bit length
1	0	1	1	16-bit length
1	1	0	0	20-bit length
1	1	0	1	24-bit length
1	1	1	0	32-bit length

<Notes>

- Any bit setting other than above is prohibited.
- These bits are used in one of the following conditions:
 - When the Chip Select pin is disabled (SCSCR:CSEN3-0="0000"b).
 - At slave mode operation (SCR:MS=1)

7.5. Received Data Register/Transmit Data Register (RDR/TDR)

The Received and Transmit Data Registers are allocated at the same address. This register functions as the Received Data Register when data is read from it. This register functions as the Transmit Data Register when data is written in it.

■ Received Data Register (RDR)

bit	15	14	13	12	11	10	9	8	7	6	5	4	3	2	1	0
Field	D	D	D	D	D	D	D	D	D	D	D	D	D	D	D	D
Attribute	R	R	R	R	R	R	R	R	R	R	R	R	R	R	R	R
Initial Value	0	0	0	0	0	0	0	0	0	0	0	0	0	0	0	0

The Received Data Register (RDR) is a 16-bit data buffer register for serial data reception.

- When serial data signals are sent to the Serial input pin (SIN), they are converted by a shift register and stored in the Received Data Register (RDR).
- Considering data length, the received data is stored from the lower bit and other bits are set to "0".
 Example: "45" h is received in 8-bit data length, D7 to D0 = "45" h, D31 to D8 = 0
- When the received data is stored in the Received Data Register (RDR), the received data full flag bit (SSR:RDRF) is set to "1". If a received interrupt is enabled (SCR:RIE=1), a received interrupt request is generated.
- The Received Data Register (RDR) must be read only when the received data full flag bit (SSR:RDRF) is "1". When data is read from the Serial Received Data Register (RDR), the received data full flag bit (SSR:RDRF) is cleared to "0" automatically.
- If a received error occurs (SSR:ORE), data in the Received Data Register (RDR) is invalid.

<Notes>

- If the received FIFO is used and if a certain count of data is received by the received FIFO, the RDRF bit is set to "1".
- If received FIFO is used and if this buffer is emptied, the RDRF bit is cleared to "0".
- If received FIFO is used and if a received error occurs (SSR:ORE), the received FIFO enable bit is cleared and the received data is not stored in received FIFO.

■ **Transmit Data Register (TDR)**

bit	15	14	13	12	11	10	9	8	7	6	5	4	3	2	1	0
Field	D	D	D	D	D	D	D	D	D	D	D	D	D	D	D	D
Attribute	W	W	W	W	W	W	W	W	W	W	W	W	W	W	W	W
Initial Value	1	1	1	1	1	1	1	1	1	1	1	1	1	1	1	1

The Transmit Data Register (TDR) is a 16-bit data buffer register for serial data transmission.

- If data transmission is enabled (SCR:TXE=1) and if the transmit data is written in the Transmit Data Register (TDR), the transmit data is transferred to the transmit shift register. Then, the data is converted into serial data, and output at the serial data output pin (SOUT).
- Considering the bit length, the transmit data is stored from the lower bit and other bits are invalid. Example: "0x45" is received in 8-bit data length, D7 to D0 = "0x45", D15 to D8 = 0
- When the transmit data is written in the Transmit Data Register (TDR), the transmit data empty flag (SSR:TDRE) is cleared to "0".
- When the transmit data is transferred to the transmit shift register and data transmission is started, and if transmit FIFO is disabled or if transmit FIFO is empty, the transmit data empty flag (SSR:TDRE) is set to "1".
- If the transmit data empty flag (SSR:TDRE) is "1", the next transmit data can be written in the buffer. If a transmit interrupt is enabled, a transmit interrupt occurs. The next transmit data must be written only after the transmit interrupt has occurred or when the transmit data empty flag (SSR:TDRE) is "1".
- If the transmit data empty flag (SSR:TDRE) is "0" and if transmit FIFO is disabled or transmit FIFO is full, the transmit data cannot be written in the Transmit Data Register (TDR).

<Notes>

- The Transmit Data Register is a write-only register. While the Received Data Register is a read-only register. As these two registers are allocated at the same address, the write and read values differ from each other. Therefore, the INC/DEC instruction and other read-modify-write (RMW) operation cannot be used.
- For the transmit data empty flag (SSR:TDRE) set timing when transmit FIFO is used, see "2.4 Interrupt and flag set timing when transmit FIFO is used".

7.6. Serial Support Control Register (SACSR)

Serial Support Control Register (SACSR) is used to control the serial test, select the starting method of serial timer, enable/disable the timer interrupt, enable/disable the synchronous transmission, set the division ratio for the operation clock of serial timer, and enable/disable the serial timer.

bit	15	14	13	12	11	10	9	8
Field	Reserved		TBEEN	CSEIE	CSE	-	-	TINT
Attribute	-		R/W	R/W	R/W	-	-	R/W
Initial Value	00		0	0	0	0	0	0

bit	7	6	5	4	3	2	1	0
Field	TINTE	TSYNE	-	TDIV3	TDIV2	TDIV1	TDIV0	TMRE
Attribute	R/W	R/W	-	R/W	R/W	R/W	R/W	R/W
Initial Value	0	0	0	0	0	0	0	0

[bit15:14] Reserved: Reserved bits

At reading: The read value is "0".

At writing: Always write "0".

[bit13]TBEEN: Transfer Byte Error Enable bit

In Master mode operation (SCR:MS=0), enables/disables the real chip select error occurrence.

For details, see "2.6 Chip select error occurrence and flag set timing".

bit	Transfer Byte Error Enable bit
0	Disables the chip select error occurrence in Master mode operation (SCR:MS=0).
1	Enables the chip select error occurrence in Master mode operation (SCR:MS=0).

<Note>

Change this bit when Data transmission and reception is disabled (SCR:TXE=RXE="0").

[bit12]CSEIE: Chip Select Error Interrupt Enable bit

- This bit is used to enable/disable the chip select error interrupt request output.
- When CSEIE bit and Chip Select Error Flag bit(CES) are "1", outputs the transmission interrupt request.

bit	Chip Select Error Interrupt Enable bit
0	Disables the Chip Select Error Interrupt.
1	Enables the Chip Select Error Interrupt Enable bit.

[bit11] CES: Chip Select Error Flag

This bit is used to indicate the presence or absence of the Chip Select Error occurrence.

For details, see “2.6 Chip select error occurrence and flag set timing”.

When this bit is “1” and the Chip Select Error Interrupt Enable bit (CSEIE) is “1”, outputs the data transmission interrupt request.

When this bit is set to “1”, this bit is reset to “0”.

Setting “1” to this bit is invalid.

bit	Chip Select Error Flag
0	Chip Select Error occurs
1	No Chip Select Error occurs..

<Notes>

- This bit is reset to “0” by executing the software reset (SCR:UPCL=“1”).
- “1” is read by reading with Read-Modify-Write instruction.
- When the Serial Chip Select is not used (SCSCR:CSEN0=0) in Slave mode operation (SCR:MS=1), this bit cannot be set to “1”.
- When a Chip Select Error occurs, disable the data transmission and then write “0” to this bit. To restart the data transmission, write “0” to this bit to enable the data transmission (SCR:TXE=1) and write the transmit data to the Transmission Data Register (TDR).
- If a noise of one bus clock or more occurs on the Serial Chip Select input in the slave mode transmission, this bit may be set to “1”. In such case, restart the transmission after the completion of the master mode transmission.

[bit8]TINT: Timer Interrupt Flag

When the values of the Serial Timer Register (STMR) and the Serial Timer Comparison Register (STMCR) match, the Serial Timer Register (STMR) is set to “0” and this register is set to “1”.

When this bit is set to “1” and the Timer Interrupt Enable bit (TINTE) is set to “1”, the timer interrupt request is output.

When this bit is set to “1”, this bit is reset to “0”.

Setting “1” to this bit is invalid.

bit	Description
0	No Timer Interrupt Request exists.
1	Timer Interrupt Request exists.

<Notes>

- This bit is reset to “0” by executing the software reset (SCR:UPCL=“1”).
- “1” is read by reading with Read-Modify-Write command.
- When the Synchronous Transmission Enable bit (TSYNE) is “1”, this bit is not set to “1”.

[bit7] TINTE: Timer Interrupt Enable bit

This bit is used to enable/disable the Timer Interrupt to CPU.

When this bit is “1” and Timer Interrupt Flag (TINT) is “1”, the Status Interrupt Request is output.

bit7	Description
0	Disables an interrupt with serial timer.
1	Enables an interrupt with serial timer.

[bit6] TSYNE: Synchronous Transmission Enable bit

This bit enables/disables the synchronous transmission.

When this bit is “1” and the following condition is met, the transmission is started.

- The values of Serial Timer Register (STMR) and Serial Timer Comparison Register (STMCR) meet at the transmission synchronizing with a timer.

bit	Description
0	Disables the synchronous transmission. The serial timer is used as a timer.
1	Enables the synchronous transmission. The serial timer is not used as a timer.

<Notes>

- Only when the Serial Timer Enable bit (TMRE) is “0”, this bit can be changed.
- When the transmission is disabled (SCR:TXE=0) at Synchronous Transmission enabled (TSYNE=1), the transmission is not started even the following condition is met.
 - The values of Serial Timer Register (STMR) and Serial Timer Comparison Register (STMCR) meet.
- In Slave mode operation (SCR:MS=“1”), this bit is fixed to “0” internally.

[bit4:1] TDIV3:0: Timer Operation Clock Division bit

This bit is used to set the serial timer division ratio.

bit4	bit3	bit2	bit1	Timer Operation Clock						
				Division Ratio	$\phi=$ 8MHz	$\phi=$ 10MHz	$\phi=$ 16MHz	$\phi=$ 20MHz	$\phi=$ 24MHz	$\phi=$ 32MHz
0	0	0	0	ϕ	125ns	100ns	62.5ns	50ns	41.67ns	31.25ns
0	0	0	1	$\phi/2$	250ns	200ns	125ns	100ns	83.33ns	62.5ns
0	0	1	0	$\phi/4$	500ns	400ns	250ns	200ns	166.67ns	125ns
0	0	1	1	$\phi/8$	1 μ s	800ns	500ns	400ns	333.33ns	250ns
0	1	0	0	$\phi/16$	2 μ s	1.6 μ s	1 μ s	800ns	666.67ns	500ns
0	1	0	1	$\phi/32$	4 μ s	3.2 μ s	2 μ s	1.6 μ s	1.33 μ s	1 μ s
0	1	1	0	$\phi/64$	8 μ s	6.4 μ s	4 μ s	3.2 μ s	2.67 μ s	2 μ s
0	1	1	1	$\phi/128$	16 μ s	12.8 μ s	8 μ s	6.4 μ s	5.33 μ s	4 μ s
1	0	0	0	$\phi/256$	32 μ s	25.6 μ s	16 μ s	12.8 μ s	10.67 μ s	8 μ s

ϕ : Bus clock

<Notes>

- This bit can be changed only when the Serial Timer Enable bit (TMRE) is “0”.
- Other than the above change is disabled.

[bit0]TMRE: Serial Timer Enable bit

This bit enables/disables the serial timer operation.

bit	Serial Timer Enable bit
0	Stops the Serial Timer operation. At the time of stop, the value of the Serial Timer Register (STMR) is held.
1	When this bit is changed from “0” to “1”, initialize the Serial Timer Register (STMR) to “0” and start the operation of the Serial Timer.

<Note>

When the synchronous transmission with the Serial Timer is executed, change this bit from “0” to “1” at transmission disabled.

7.7. Serial Timer Register (STMR)

The Serial Timer Register (STMR) is used to indicate the timer value of the serial timer.

■ Bit Configuration of Serial Timer Register (STMR)

bit	15	14	13	12	11	10	9	8
Field	TM15	TM14	TM13	TM12	TM11	TM10	TM9	TM8
Attribute	R	R	R	R	R	R	R	R
Initial Value	0	0	0	0	0	0	0	0
bit	7	6	5	4	3	2	1	0
Field	TM7	TM6	TM5	TM4	TM3	TM2	TM1	TM0
Attribute	R	R	R	R	R	R	R	R
Initial Value	0	0	0	0	0	0	0	0

[bit15:0]TM[15:0]: Timer Data bits

These bits indicate the timer value of the serial timer.

During the timer operation, the timer value of the serial timer is incremented by 1 every timer operation clock (SACSR:TDIV3:0).

<Note>

At starting the timer operation, this bit is initialized to “0”.

7.8. Serial Timer Comparison Register (STMCR)

This register is used to set the timer comparison value of the serial timer.

■ Bit Configuration of Serial Timer Register (STMCR)

bit	15	14	13	12	11	10	9	8
Field	TC15	TC14	TC13	TC12	TC11	TC10	TC9	TC8
Attribute	R/W	R/W	R/W	R/W	R/W	R/W	R/W	R/W
Initial Value	0	0	0	0	0	0	0	0
bit	7	6	5	4	3	2	1	0
Field	TC7	TC6	TC5	TC4	TC3	TC2	TC1	TC0
Attribute	R/W	R/W	R/W	R/W	R/W	R/W	R/W	R/W
Initial Value	0	0	0	0	0	0	0	0

[bit15:0]TC15:0: Compare bits

Set the comparison values of the serial timer.

This bit is compared with the Serial Timer Register (STMR) and the Serial Timer Register (STMR) is set to “0” if the the values of this bit and the Serial Timer Register (STMR) meet when the Serial Timer Register (STMR) is revised. At that time, when the synchronous transmission is disabled (SACSR:TSYNE=“0”), the Timer Interrupt Flag (SACSR: TINT) is set to “I” and when the synchronous transmission is enabled (SACSR:TSYNE=“1”), the transmission is started.

The interval of executing the following operations is $(STMCR:TC+1) \times$ Timer Operation Clock (specified with SACSR:TDIV3:0.)

- SACSR:TINT is set to “1”.
- The transmission is started with the transmission synchronizing with the serial clock.

<Notes>

- When all the following conditions are met, the Timer Interrupt Flag (SACSR:TINT) is fixed to “1”.
 - Synchronous transmission is disabled (SACSR:TSYNE=“0”).
 - This register is set to “0x0000”.
 - Timer is operating.
 - Timer Operation Clock Division value (SACSR:TDIV) is set to “0b0000”.
- Only when the Serial Timer is disabled (SACSR:TMRE=“0”), this register can be changed.

7.9. Serial Chip Select Control Status Register (SCSCR)

This register is used to select the start pin and end pin of the Serial Chip Select, to display the output pin of the Serial Chip Select, to hold the active level of the Serial Chip Select, to reverse the Serial Chip Select, and to enable/disable the output of the Serial Chip Select.

■ Bit Configuration of Serial Chip Select Control Status Register (SCSCR)

bit	15	14	13	12	11	10	9	8
Field	-	-	-	-	-	-	SCAM	CDIV2
Attribute	-	-	-	-	-	-	R/W	R/W
Initial Value	0	0	0	0	0	0	0	0
bit	7	6	5	4	3	2	1	0
Field	CDIV1	CDIV0	CSLVL	-	-	-	CSEN0	CSOE
Attribute	R/W	R/W	R/W	-	-	-	R/W	R/W
Initial Value	0	0	1	0	0	0	0	0

[bit9]SCAM: Serial Chip Select Active Hold bit

Selects the holding or not-holding the active status of Serial Chip Select pin.

For details, see “Serial Chip Select Active Holding Operation (SCSCR:SCAM=1)(Available only in Master mode operation (SCR:MS=0)) in “5. Serial Chip Select Operation”.

bit	Serial Chip Select Active Holding bit
0	Dose not hold the Aactive Status of Serial Chip Select pin.
1	Holds the Aactive Status of Serial Chip Select pin.

<Notes>

- When the transmission is disabled (SCR:TXE="0") and Software reset is executed (SCR:UPCL="1"), the Serial Chip Select pin becomes inactive irrespective of the value of this bit.
- When a Serial Chip Error occurs (SACSR:CSE=1), the Serial Chip Select pin becomes inactive irrespective of the value of this bit.

[bit8:6]CDIV2:0: Serial Chip Select Timing Operation Clock Division bit
Set the division ratio of the Serial Chip Select Timing Operation Clock.

bit8	bit7	bit6	Serial Chip Select Timing Operation Clock						
			Division Ratio	$\phi=$ 8MHz	$\phi=$ 10MHz	$\phi=$ 16MHz	$\phi=$ 20MHz	$\phi=$ 24MHz	$\phi=$ 32MHz
0	0	0	ϕ	125ns	100ns	62.5ns	50ns	41.67ns	31.25ns
0	0	1	$\phi/2$	250ns	200ns	125ns	100ns	83.33ns	62.5ns
0	1	0	$\phi/4$	500ns	400ns	250ns	200ns	166.67ns	125ns
0	1	1	$\phi/8$	1 μ s	800ns	500ns	400ns	333.33ns	250ns
1	0	0	$\phi/16$	2 μ s	1.6 μ s	1 μ s	800ns	666.67ns	500ns
1	0	1	$\phi/32$	4 μ s	3.2 μ s	2 μ s	1.6 μ s	1.33 μ s	1 μ s
1	1	0	$\phi/64$	8 μ s	6.4 μ s	4 μ s	3.2 μ s	2.67 μ s	2 μ s

ϕ : Bus clock

<Notes>

- This bit can be changed only when the transmission and reception operations are disabled (SCR:TXE=RXE="0").
- The setting of this bit is invalid in Slave mode operation (SCR:MS="1").
- The settings other the above are prohibited.

[bit5]CSLVL: Serial Chip Select Level Setting bit
Selects "High" or "Low" for the Serial Chip Select pin level in inactive state.

This bit is available for Chip Select pin0.

bit	Serial Chip Select Level Setting bit
0	Sets the Inactive Level to "Low".
1	Sets the Inactive Level to "High".

<Notes>

- This bit can be changed only when the transmission and reception operations are disabled (SCR:TXE=RXE="0").
- This bit is used in the following condition:
 - In Slave mode operation (SCR:MS=1)

[bit1]CSEN0: Serial Chip Select Enable bit

This bit is used to enable or disable the Serial Chip Select pin.

In Slave mode operation (SCR:MS=1), only CSEN0 bit can enable or disable the Serial Chip pin.

bit	Serial Chip Select Enable bit
0	Disables the operation of Serial Chip Select pin.
1	Enables the operation of Serial Chip Select pin.

<Notes>

- This bit can be changed only when the transmission and reception operations are disabled (SCR:TXE=RXE="0")
- When CSEN0 is set to "0" in Master mode operation (SCR:MS=0), the transmission and reception operations are executed irrespective of the Serial Chip Select pin.
- When CSEN0 is set to "0" in Slave mode operation (SCR:MS=1), the transmission and reception operations are executed irrespective of the Serial Chip Select pin.
- Disable the Serial Chip Select pin not used.

[bit0]CSOE: Serial Chip Select Output Enable bit

This bit is used to enable or disable the Serial Chip Select pin Output.

bit	Serial Chip Select Output Enable bit
0	Disables all the Serial Chip Select pins.
1	Enables all the Serial Chip Select pins.

<Notes>

- This bit can be changed only when the transmission and reception operations are disabled (SCR:TXE=RXE="0")
- In Slave mode operation (SCR:MS="1"), This bit is set to "0".

7.10. Serial Chip Select Timing Register (SCSTR3:0)

These registers are used to set the setup delay time, the hold delay time, and deselect time of Serial Chip Select.

■ Bit Configuration of Serial Chip Select Timing Registers (SCSTR1, SCSTR0)

bit	15	14	13	12	11	10	9	8
Field	CSSU7	CSSU6	CSSU5	CSSU4	CSSU3	CSSU2	CSSU1	CSSU0
Attribute	R/W	R/W	R/W	R/W	R/W	R/W	R/W	R/W
Initial Value	0	0	0	0	0	0	0	0
bit	7	6	5	4	3	2	1	0
Field	CSHD7	CSHD6	CSHD5	CSHD4	CSHD3	CSHD2	CSHD1	CSHD0
Attribute	R/W	R/W	R/W	R/W	R/W	R/W	R/W	R/W
Initial Value	0	0	0	0	0	0	0	0

[bit15:8]CSSU[7:0]: Serial Chip Select Setup Delay bit

Set the period from the time when the Serial Chip Select pin becomes active to the time when the Serial Clock is output. When these bits are set to "00" h, the time when the Serial Chip Select pin becomes active becomes the same as the time when the Serial Clock is output.

bit15:8	Setup Delay Time
0x00	The Serial Chip Slect pin becomes active on starting the output of the Serial Clock.
0x01	1×Serial Chip Select Timing Operation Clock
0x02	2×Serial Chip Select Timing Operation Clock
:	:
:	:
0xFE	254×Serial Chip Select Timing Operation Clock
0xFF	255×Serial Chip Select Timing Operation Clock

<Notes>

- This bit can be changed only when the transmission and reception operations are disabled (SCR:TXE=RXE="0")
- In Slave mode operation (SCR:MS="1"), this bit cannot be set.

[bit7:0]CSHD[7:0]: Serial Chip Select Hold Delay bits

Set the period from the time when the Serial Clock output is finished to the time when the Serial Chip Select pin becomes inactive. When these bits are set to "00"hex, the time when the Serial Chip Select pin becomes inactive becomes the same as the time when the Serial Clock output is finished.

bit7:0	Hold Delay Time
0x00	The time when the Serial Chip Select pin becomes inactive becomes the same as the time when the Serial Clock output is finished.
0x01	1×Serial Chip Select Timing Operation Clock
0x02	2×Serial Chip Select Timing Operation Clock
⋮	⋮
⋮	⋮
0xFE	254×Serial Chip Select Timing Operation Clock
0xFF	255×Serial Chip Select Timing Operation Clock

<Notes>

- This bit can be changed only when the transmission and reception operations are disabled (SCR:TXE=RXE="0")
- In Slave mode operation (SCR:MS="1"), this bit cannot be set.

■ **Bit Configuration of Serial Chip Select Timing Register (SCSTR3, SCSTR2)**

bit	15	14	13	12	11	10	9	8
Field	CSDS15	CSDS14	CSDS13	CSDS12	CSDS11	CSDS10	CSDS9	CSDS8
Attribute	R/W	R/W	R/W	R/W	R/W	R/W	R/W	R/W
Initial Value	0	0	0	0	0	0	0	0
bit	7	6	5	4	3	2	1	0
Field	CSDS7	CSDS6	CSDS5	CSDS4	CSDS3	CSDS2	CSDS1	CSDS0
Attribute	R/W	R/W	R/W	R/W	R/W	R/W	R/W	R/W
Initial Value	0	0	0	0	0	0	0	0

[bit15:0]CSDS[15:0]: Serial Chip Deselect bits

Set the minimum period from the time when the Serial Chip Select pin becomes inactive to the time when the Serial Chip Select pin becomes active again.

bit15:0	Deselect Minimum Time
0x0000	No Deselect minimum time (5 bus clock time)
0x0001	1×Serial Chip Select Timing Operation clock
0x0002	2×Serial Chip Select Timing Operation clock
:	:
:	:
0xFFFFE	65534×Serial Chip Select Timing Operation clock
0xFFFF	65535×Serial Chip Select Timing Operation clock

<Notes>

- This bit can be changed only when the transmission and reception operations are disabled (SCR:TXE=RXE="0")
- In Slave mode operation (SCR:MS="1"), this bit cannot be set.
- Irrespective of the deselect time setting, 5 bus clock times or more are required for the period the time when the Serial Chip Select pin becomes inactive to the time when the Serial Chip Select pin becomes active again.
- Do not set SCSTR2:CSDS=0x0001 and SCSCR:CDIV=0b000 at the same time.

7.11. Transfer Byte Register (TBYTE0)

This register is used to set the transfer data count at Serial Chip Select pin in active mode.

■ Bit Configuration of Transfer Byte (TBYTE0)

Bit	15	14	13	12	11	10	9	8	7	6	5	4	3	2	1	0
Field									(TBYTE0)							
Attribute	-	-	-	-	-	-	-	-	R/W	R/W	R/W	R/W	R/W	R/W	R/W	R/W
Initial Value	0	0	0	0	0	0	0	0	0	0	0	0	0	0	0	0

The Transfer Byte Register sets the transfer data count at Serial Chip Select pin in active mode. After the Serial Chip Select pin become active, the data of the count specified with this register is transferred and then the Serial Chip Select pin becomes inactive.

When the Serial Chip Select is disabled (SCSCR:CSEN0="0"), the Transfer Byte Register0 (TBYTE0) is used for the transmission synchronizing with a timer. After starting the transmission synchronizing with a timer, the data of count specified with TBYTE0 is transferred.

When this bit is changed during transfer operation (SSR:TBI=0), the setting of transfer data count changed becomes valid after the data of count initially specified has been finished.

TBYTE	Transfer Byte Register
Write	Write to TBYTE.
Read	TBYTE Setting Value

<Notes>

- When this bit is set to (00)h, the transfer count is eight times.
- In Slave mode operation (SCR:MS=1), this bit cannot be set.

7.12. Baud Rate Generator Registers 1 and 0 (BGR1 and BGR0)

Baud Rate Generator Registers 1 and 0 (BGR1 and BGR0) are used to set a frequency division ratio of serial clocks.

bit	15	14	13	12	11	10	9	8	7	6	5	4	3	2	1	0
Field	-	(BGR1)							(BGR0)							
Attribute	-	R/W							R/W							
Initial value	-	0000000							0x00							

- Set a clock frequency division to the Baud Rate Generator Registers 1 and 0 (BGR1 and BGR0).
- The BGR1 register corresponds to the high-order bits, and the BGR0 register corresponds to the low-order bits. The reload value to be counted can be written, and the BGR1/BGR0 set value can be read.
- When the reload value is written in Baud Rate Generator Registers 1 and 0 (BGR1 and BGR0), the reload counter starts its counting.

[bit15] - : Unused bit

This bit value is undefined when read.

This bit has no effect on the operation when written.

[bit14:8] BGR1: Baud Rate Generator Register 1

bit14:8	Description
Write	Writes data in bit8 to bit14 of reload counter.
Read	Reads the BGR1 set value.

[bit7:0] BGR0: Baud Rate Generator Register 0

bit7:0	Description
Write	Write data in bit0 to bit7 of reload counter.
Read	Reads the BGR0 set value.

<Notes>

- Data must be written in the Baud Rate Generator Register1, 0(BGR1 and BGR0) by 16-bit data accessing.
- If the reload value is even, the "HIGH" and "LOW" width of serial clock are as follows. If the value is odd, the serial clock has the same "HIGH" and "LOW" signal width.
 If SMR:SCINV="0", the "HIGH" width of serial clock is longer for 1 cycle of bus clock.
 If SMR:SCINV="1", the "LOW" width of serial clock is longer for 1 cycle of bus clock.
- Set the reload value to 3 or more.
- If the current values of Baud Rate Generator Register1, 0(BGR1, BGR0) are changed, the new values are reloaded only after the counter value has reached "15h00". In order to validate the new set values immediately, change the BGR1/BGR0 set values and execute the CSIO reset instruction (SCR:UPCL).
- If received FIFO is used and if you wish to set the received FIFO idle detect enable bit (FCR1:FRIIE) to "1" and starts the slave mode operation, set the desired baud rate in BGR1/BGR0.

7.13. FIFO Control Register 1 (FCR1)

The FIFO Control Register (FCR1) is used to set the FIFO test, select the transmit or received FIFO, enable the transmit FIFO interrupt, and control the interrupt flag.

bit	15	14	13	12	11	10	9	8	7	...	0
Field	Reserved			FLSTE	FRIIE	FDRQ	FTIE	FSEL	(FCR0)		
Attribute	-	-	-	R/W	R/W	R/W	R/W	R/W			
Initial value	-	-	-	0	0	1	0	0			

[bit15:13] Reserved : Reserved bits

The read value is "0". Be sure to write "0".

[bit12] FLSTE: Re-transmit data lost detect enable bit

This bit enables the FLST bit detection.

If set to "0": The FLST bit detection is disabled.

If set to "1": The FLST bit detection is enabled.

bit	Description
0	Disables the Data Lost detection.
1	Enables the Data Lost detection.

<Note>

If you wish to set this bit to "1", set the FSET bit to "1" first, and then set this bit to "1".

[bit11] FRIIE: Received FIFO idle detection enable bit

This bit sets to detect the received idle state if the received FIFO contains valid data and if it continues more than 8-bit hours. If the received interrupt is enabled (SCR:RIE=1), a received interrupt is generated when the received idle state is detected.

bit	Description
0	Disables the received FIFO idle detection.
1	Enables the received FIFO idle detection.

<Note>

In case of using Received FIFO, set this bit to "1".

[bit10] FDRQ: Transmit FIFO data request bit

This bit requests for the transmit FIFO data.

If this bit is "1", the transmit data is being requested. If the transmit FIFO interrupt is enabled (FTIE=1) during this time, a transmit FIFO interrupt request is output.

The FDRQ bit is set when:

- The FBYTE (for transmission) is "0" (Transmit FIFO is empty).
- Transmit FIFO is reset.

The FDRQ bit is reset when:

- This bit is set to "0".
- Transmit FIFO is filled with data.

bit	Description
0	Does not request for the transmit FIFO data.
1	Requests for the transmit FIFO data.

<Notes>

- If the FBYTE (for transmission) is "0", this bit cannot be set to "0".
- If this bit is "0", the FSEL bit state cannot be changed.
- If this bit is set to "1", it has no effect on the operation.
- If a read-modify-write instruction is issued, "1" is read.

[bit9] FTIE: Transmit FIFO interrupt enable bit

This bit enables a transmit FIFO interrupt. If this bit is set to "1", an interrupt occurs when the FDRQ bit is set to "1".

bit	Description
0	Disables the transmit FIFO interrupt.
1	Enables the transmit FIFO interrupt.

[bit8] FSEL: FIFO select bit

This bit selects the transmit or received FIFO.

bit	Description
0	Transmit FIFO:FIFO1; Received FIFO:FIFO2
1	Transmit FIFO:FIFO2; Received FIFO:FIFO1

<Notes>

- This bit is not cleared by FIFO reset (FCR0:FCL[2:1]=11).
- To change this bit state, first disable the FIFO operation (FCR0:FE[2:1]=00).

7.14. FIFO Control Register 0 (FCR0)

The FIFO Control Register 0 (FCR0) is used to enable/disable the FIFO operation, reset FIFO, save the read pointer, and set the data re-transmission.

bit	15	...	8	7	6	5	4	3	2	1	0
Field	(FCR1)			-	FLST	FLD	FSET	FCL2	FCL1	FE2	FE1
Attribute				-	R	R/W	R/W	R/W	R/W	R/W	R/W
Initial value				0	0	0	0	0	0	0	0

[bit7] - : Unused bit

"0" is always read.

"0" must always be written.

[bit6] FLST: FIFO re-transmit data lost flag bit

This bit shows that the re-transmit data of transmit FIFO has been lost.

The FLST bit is set when:

- The FLSTE bit of FIFO Control Register 1 (FCR1) is "1", the write pointer of transmit FIFO matches the read pointer which has been saved by the FSET bit, and data is written in FIFO.

The FLST bit is reset when:

- FIFO is reset (FCL bit is set to "1").
- The FSET bit is set to "1".

If this bit is set to "1", the data identified by the read pointer (saved by the FSET bit) is overwritten.

Therefore, the FLD bit cannot set the data re-transmission even if an error has occurred. If this bit is set to "1" and if you wish to re-transmit data, first reset FIFO. Then, write data in the FIFO buffer again.

bit	Description
0	No Data Lost has occurred.
1	Data Lost has occurred.

[bit 5] FLD: FIFO pointer reload bit

This bit reloads the data, being saved in transmit FIFO by the FSET bit, to the reload pointer. This bit can be used to re-transmit data after a communication error or others have occurred.

When the re-transmission setting has finished, this bit is set to "0".

bit	Description
0	Not reloaded
1	Reloaded

<Notes>

- If this bit is "1", data is being reloaded in the read pointer. Therefore, data writing except for FIFO reset is disabled.
- When FIFO is enabled or when data is being transmitted, this bit cannot be set to "1".
- After you have set the SCR:TIE bit and SCR:TBIE bit to "0", set this bit to "1". After you have enabled transmit FIFO, set the SCR:TIE bit and SCR:TBIE bit to "1".

[bit4] FSET: FIFO pointer save bit

This bit saves the transmit FIFO read pointer.

If the read pointer is saved before transmission and if the FLST bit is "0", data can be re-transmitted even when a communication error or others occur.

If set to "1": The current read pointer value is saved.

If set to "0": No effect on the operation.

bit	Description	
	At writing	At reading
0	Not saved	"0" is always read.
1	Saved	

<Note>

This bit can be set to "1" only when the transmit byte count (FBYTE) is "0".

[bit3] FCL2: FIFO2 reset bit

This bit resets the FIFO2 value.

When this bit is set to "1", the FIFO2 internal state is initialized.

Only the FCR1:FLST2 bit is initialized, but the other bits of FCR1/FCR0 registers are kept.

bit	Description	
	At writing	At reading
0	No effect on the operation.	"0" is always read.
1	FIFO2 is reset.	

<Notes>

- Disable the transmission and reception first, and then reset FIFO2.
- Set the transmit FIFO interrupt enable bit to "0" before the execution.
- The valid data count of the FBYTE2 register is set to "0".

[bit2] FCL1: FIFO1 reset bit

This bit resets the FIFO1 value.

When this bit is set to "1", the FIFO1 internal state is initialized.

Only the FCR1:FLST1 bit is initialized, but the other bits of FCR1/FCR0 registers are kept.

bit	Description	
	At writing	At reading
0	No effect on the operation.	"0" is always read.
1	FIFO1 is reset.	

<Notes>

- Disable the transmission and reception first, and then reset FIFO1.
- Set the transmit FIFO interrupt enable bit to "0" before the execution.
- The valid data count of the FBYTE1 register is set to "0".

[bit1] FE2: FIFO2 operation enable bit

This bit enables or disables the FIFO2 operation.

- To use the FIFO2 operation, set this bit to "1".
- If FIFO2 is set as transmit FIFO (FCR1:FSEL=1) and if data exists in FIFO2 when this bit is set to "1", the data transmission starts immediately when the UART is enabled to transmit data (SCR:TXE=1). During this time, set both SCR:TIE bit and SCR:TBIE bit to "0". Then, set this bit to "1" and set both SCR:TIE bit and SCR:TBIE bit to "1".
- If received FIFO is selected by the FSEL bit and if a received error has occurred, this bit is cleared to "0". This bit cannot be set to "1" until the received error is cleared.
- If FIFO2 is used as transmit FIFO, this bit must be set to "1" or "0" when the transmit buffer is empty (SSR:TDRE=1).
- If FIFO2 is used as received FIFO, this bit must be set to "0" when the received buffer is empty (SSR:RDRF=0) and no valid data exists in received FIFO (FBYTE2=0x00) after reception is disabled (SCR:RXE=0).
- If FIFO2 is used as received FIFO, this bit must be set to "1" when the received buffer is empty (SSR:RDRF=0) after reception is disabled (SCR:RXE=0).
- The FIFO2 state is held even if the FIFO2 operation is disabled.

bit	Description
0	Disables the FIFO2 operation.
1	Enables the FIFO2 operation.

[bit0] FE1: FIFO1 operation enable bit

This bit enables or disables the FIFO1 operation.

- To use the FIFO1 operation, set this bit to "1".
- If FIFO1 is set as transmit FIFO (FCR1:FSEL=0) and if data exists in FIFO1 when this bit is set to "1", the data transmission starts immediately when the UART is enabled to transmit data (SCR:TXE=1). During this time, set both SCR:TIE bit and SCR:TBIE bit to "0". Then, set this bit to "1" and set both TIE bit and TBIE bit to "1".
- If received FIFO is selected by the FSEL bit and if a received error has occurred, this bit is cleared to "0". This bit cannot be set to "1" until the received error is cleared.
- If FIFO1 is used as transmit FIFO, this bit must be set to "1" or "0" when the transmit buffer is empty (SSR:TDRE=1).
- If FIFO1 is used as received FIFO, this bit must be set to "0" when the received buffer is empty (SSR:RDRF=0) and no valid data exists in received FIFO (FBYTE2=0x00) after reception is disabled (SCR:RXE=0).
- If FIFO1 is used as received FIFO, this bit must be set to "1" when the received buffer is empty (SSR:RDRF=0) after reception is disabled (SCR:RXE=0).
- The FIFO1 state is held even if the FIFO1 operation is disabled.

bit	Description
0	Disables the FIFO1 operation.
1	Enables the FIFO1 operation.

7.15. FIFO Byte Register (FBYTE)

The FIFO Byte Register (FBYTE) indicates the effective data count in the FIFO buffer.

bit	15	14	13	12	11	10	9	8	7	6	5	4	3	2	1	0
Field	(FBYTE2)								(FBYTE1)							
Attribute	R/W	R/W	R/W	R/W	R/W	R/W	R/W	R/W	R/W	R/W	R/W	R/W	R/W	R/W	R/W	R/W
Initial value	0	0	0	0	0	0	0	0	0	0	0	0	0	0	0	0

The FBYTE register indicates the effective data count of FIFO. The following shows the settings of the FCR1:FSEL bit.

Table 7-3 Display of data count

FCR1:FSEL	FIFO selection	Byte count display
0	FIFO2: Received FIFO, FIFO1: Transmit FIFO	FIFO2:FBYTE2, FIFO1:FBYTE1
1	FIFO2: Transmit FIFO, FIFO1: Received FIFO	FIFO2:FBYTE2, FIFO1:FBYTE1

- The initial value of data transfer count is "0x08" for the FBYTE register.
- Set a data count to generate a received interrupt flag for the FBYTE register of received FIFO. If this transfer data count matches the FBYTE register display, the received data full flag bit (RDRF) is set to "1".
- If the following two conditions are satisfied and if the received idle state continues for more than 8 baud rate clocks, the received data full flag bit (RDRF) is set to "1".
 - The received FIFO idle detection enable bit (FRIIE) is "1".
 - The number of data sets stored in the received FIFO does not reach the transfer count.

If the RDR data is read during counting of 8 clocks, this counter is reset to "0", and counting for 8 clocks is restarted. If received FIFO is disabled, this counter is reset to "0". If data remains in the received FIFO and if received FIFO is enabled, the data counting is restarted.

- To receive data in the master mode operation (master mode reception), set both SCR:TIE and SCR:TBIE bits to "0", set the received data count in the FBYTE register of transmit FIFO, and set the FCR1:FDRQ bit to "0". After that, when the SCR:TXE bit is "1", the serial clock is output for the preset data amount, and the preset amount of data can be received. Set the SCR:TIE bit and SCR:TBIE bit to "1" only after the FCR1:FDRQ bit has been set to "1".

[bit15:8] FBYTE2: FIFO2 data count display bits

[bit7:0] FBYTE1: FIFO1 data count display bits

Writing	Sets the transfer data count.
Reading	Reads the effective count of data.

Read (Effective data count)

During transmission: The number of data sets already written in FIFO but not transmitted yet
 During reception: The number of data sets received in FIFO

Write (Transfer data count)

During transmission: Set "0x00".
 During reception: Set the data count to generate a received interrupt.

Table 7-4 Data Count to be Saved in FIFO

FIFO Capacity	Data Length	SSR:AWC	Max. FBYTE count	Count of Data to be saved
16 BYTEs	5 bits to 16 bits	0	8	8
		1	4	4
32 BYTEs	5 bits to 16 bits	0	16	16
		1	8	8
64 BYTEs	5 bits to 16 bits	0	32	32
		1	16	16
64 BYTEs	5 bits to 16 bits	0	64	64
		1	32	32

<Notes>

- The FBYTE register of transmit FIFO must be "0x00" except when data is received in the master mode operation.
- During the master mode data reception, the transmit data count must be set only when transmit FIFO is empty and both SCR:TIE bit and SSR:TBIE bit are "0".
- To disable the reception (SCR:RXE=0) when data is being received in the master mode operation, disable transmit FIFO first, and then disable the transmission and reception.
- The FBYTE bit of received FIFO must be set to "1" or larger.
- Change the FBYTE data of received FIFO only after you have disabled the data reception.
- A read-modify-write instruction cannot be used for this register.
- Any setting exceeding the FIFO capacity is prohibited.

8. Restrictions on CSIO (Clock Synchronous Serial Interface)

This section shows the restrictions on CSIO (Clock Synchronous Serial Interface).

- In Slave mode operation (SCR:MS="1") and SPI mode (SCR:SPI="1"), set the access of Transmit Data Register (TDR) to 32 bits (SCR:AWC="1").

- When the Chip Select is used in normal transmit mode (SCR:SPI="0") and master mode (SCR:MS="0"), set the setup hold delay to meet the one of the following conditions:

- HoldDelay + SetupDelay < Baud rate conversion value – 2 × t_{CYCP}
- Baud rate conversion value/2 < Hold Delay + 3 × t_{CYCP}

Baud rate conversion value: Inverse number of Baud rate (Definition)

t_{CYCP}: APB Bus clock frequency

<Calculation Exmple>

When Baud rate: 1 [Mbps] (Baud rate conversion value: 1 [μs]), Peripheral bus clock: 48 [MHz] (Cycle: about 20 [ns]) and SCSCR:CDIV="0", HoldDelay and SetupDelay conditions are calculated as follows:

- HoldDelay:

$$\text{SCSTR:CSHD value} \times t_{\text{CYCP}} \times 2^{\text{SCSCR:CDIV Value}} = \text{SCSTR:CSHD Value} \times 20[\text{ns}]$$

-Setup Delay:

$$\text{SCSTR:CSSU value} \times t_{\text{CYCP}} \times 2^{\text{SCSCR:CDIV Value}} = \text{SCSTR:CSSU Value} \times 20[\text{ns}]$$

From the above condition formulas, set SCSTR:CSHD Value and SCSTR:CSSU Value conforming to the combination in Table 8-1.

Table 8-1 Setting Conditions of HoldDelay and SetupDelay (Calculation Example)

SCSTR:CSHD Value	SCSTR:CSSU Value
23 or more	Arbitrary value
22	25 or less
21	26 or less
20	27 or less
:	:
1	46 or less
0	47 or less

In master mode (SCR:MS=0) and SPI Transfer mode (SCR:SPI=1), when transfer data count is "1" (TBYTE=1) is set and Serial Chip Select Hold Function is used, use CSIO under the following condition:

- Set "No Serial Data Transmit and Reception Wait" (ESCR:WT1, WT0="00")

CHAPTER: LIN Interface (Ver. 2.1) (LIN Communication Control Interface Ver. 2.1)

This chapter explains the LIN communication function, a part of multifunction serial interface functions and supported in Operation Mode 3.

1. Overview of LIN Interface (Ver. 2.1) (LIN Communication Control Interface Ver. 2.1)
2. LIN Interface (Ver. 2.1) Interrupts
3. Dedicated Baud Rate Generator
4. LIN Interface (Ver. 2.1) Operations
5. Operation Mode 3 (LIN Communication Mode) Setting Procedure and Program Flow
6. LIN Interface (ver. 2.1) Registers

1. Overview of LIN Interface (Ver. 2.1) (LIN Communication Control Interface Ver. 2.1)

The LIN interface (ver. 2.1) (LIN communication control interface ver. 2.1) supports functions complying with the LIN bus. It also has transmit/received FIFO (up to 128 bytes) installed.

■ Functions of LIN interface (ver. 2.1) (LIN communication control interface ver. 2.1)

		Function
1	Data buffer	<ul style="list-style-type: none"> · Full duplex double buffer (when FIFO is not used) · Transmit/received FIFO (max 128 bytes) * (when FIFO is used)
2	Serial input	Run oversampling three times with the bus clock and determine the value of received data based on the majority sampling value.
3	Transfer mode	Asynchronous
4	Baud rate	<ul style="list-style-type: none"> · A dedicated baud rate generator (constructed with a 15-bit reload counter) · The external clock can be adjusted with the reload counter.
5	Data length	8 bits
6	Signaling system	NRZ (Non Return to Zero)
7	Start bit detection	Synchronized with the falling edge of the start bit
8	Received error detection	<ul style="list-style-type: none"> · Framing error · Overrun error
9	Interrupt request	<ul style="list-style-type: none"> · Received interrupts (reception completed, framing error, overrun error) · Transmit interrupts (transmit data empty, transmit bus idle) · Status interrupts (LIN break field detection) · Interrupt request to ICU (LIN Sync field detection: LSYN) · Transmit FIFO interrupt (when transmit FIFO is empty) · DMA (Transmit/Received) transferring support function is available.
10	LIN bus option	<ul style="list-style-type: none"> · Supports LIN Protocol Revision 2.1 · Master device operations · Slave device operations · LIN break field generation (with variable bit length ranging from 13 to 16 bits) · LIN break delimiter generation (with variable data length ranging from 1 to 4 bits) · LIN break field detection · Detection of LIN sync field start/stop edges connected to input capture
11	FIFO options	<ul style="list-style-type: none"> · Transmit/received FIFO installed (maximum capacity: 128 bytes for transmit FIFO, 128 bytes for received FIFO) * · Transmit FIFO or received FIFO can be selected. · Transmit data can be resent. · Received FIFO interrupt timing can be changed via software. · FIFO resetting is supported independently.

* : The FIFO quantity varies depending on the products type.

2. LIN Interface (Ver. 2.1) Interrupts

Received interrupts and transmit interrupts are provided for LIN interface (ver. 2.1). These interrupt requests can be generated if:

- Received data is set in the Received Data Register (RDR) or a data received error occurs.
- Transmit data is transferred from the Transmit Data Register (TDR) to the transmit shift register and the data transmission is started.
- The transmit bus is idle (No data transmission occurs).
- Transmit FIFO data is requested.
- A LIN break field is detected.

■ LIN interface (ver. 2.1) interrupts

Table 2-1 shows the interrupt control bits and the interrupt factors of LIN interface (ver. 2.1).

Table 2-1 LIN interface (ver. 2.1) interrupt control bits and interrupt factors

Interrupt type	Interrupt request flag bit	Flag register	Interrupt factor	Interrupt factor enable bit	Operation to clear interrupt request flag
Reception	RDRF	SSR	A single-byte reception	SCR:RIE	Reading from the received data register (RDR)
			Reception of a data volume matching the value set for FBYTE.		Reading from the Received Data Register (RDR) until received FIFO is emptied
			While the FRIIE bit is "1" and the received FIFO contains valid data, a received idle state continues for 8 bits or longer period.		
	ORE	SSR	Overrun error		Setting the Reception Error Flag Clear bit (SSR:REC) to "1"
	FRE	SSR	Framing error		
Transmission	TDRE	SSR	The Transmit Data Register is empty	SCR:TIE	Writing to the Transmit Data Register (TDR) or setting the transmit FIFO operation enable bit to "1" when the transmit FIFO operation enable bit is set to "0" and valid data are present in transmit FIFO (re-transmitting data). ^{*1}
	TBI	SSR	No data transmission	SCR:TBIE	Writing to the Transmit Data Register (TDR), setting the LIN break field setting bit (LBR) to "1", or setting the transmit FIFO operation enable bit to "1" when the transmit FIFO operation enable bit is set to "0" and valid data are present in transmit FIFO (re-transmitting data). ^{*1}
	FDRQ	FCR1	Transmit FIFO is empty.	FCR1:FTIE	The FIFO transmit data request bit (FCR1:FDRQ) is set to "0" or transmit FIFO is full.
Status	LBD	SSR	LIN break field is detected	ESCR:LBIE	The SSR:LBD bit is set to "0".
Input capture ^{*2}	ICP0/ ICP1	ICSA10/ ICSA32	The first rising edge in the LIN Sync field	ICSA10.ICE0 ICSA10.ICE1	Disables ICP0 and ICP1
	ICP0/ ICP1	ICSA10/ ICSA32	The fifth falling edge in the LIN Sync field	ICSA32.ICE0 ICSA32.ICE1	

*1: Set the TIE bit to "1" only after the TDRE bit has been set to "0".

*2: For the correspondance between the channel number of Input capture and that of LIN, see the descriptions of EPFR01/EPFR02/EPFR03 register.

2.1. Received interrupt and flag set timing

Data reception can be interrupted by a received completion (SSR:RDRF = 1), a received error occurrence (SSR:ORE, FRE = 1), or a LIN break field detection.

■ Received interrupt and flag set timing

Upon detection of the first stop bit, received data are stored in the Received Data Register (RDR). When the data reception is completed (SSR:RDRF = 1) or when a data received error occurs (SSR:ORE, FRE = 1), each flag is set. If received interrupts are enabled (SCR:RIE = 1) during this time, a received interrupt occurs.

<Note>

If a received error occurs, data in the Received Data Register (RDR) is invalidated.

Figure 2-1 RDRF (Received Data Full flag bit) set timing

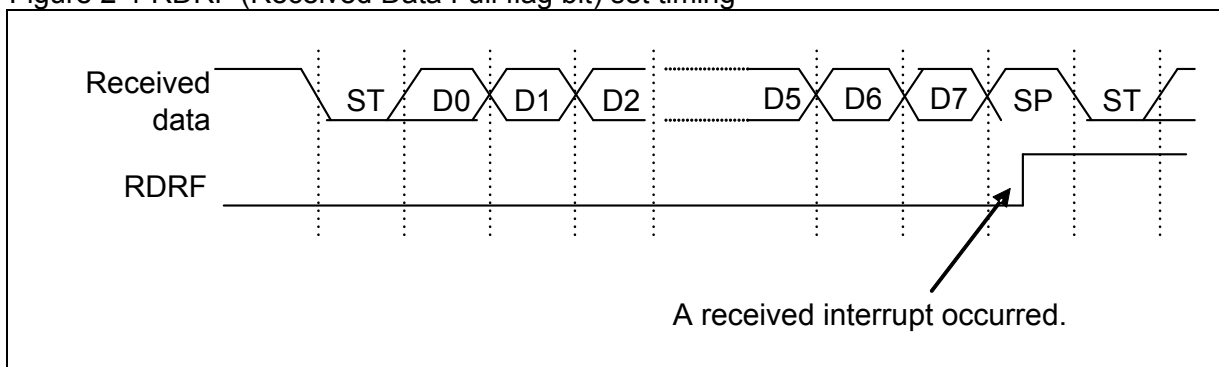
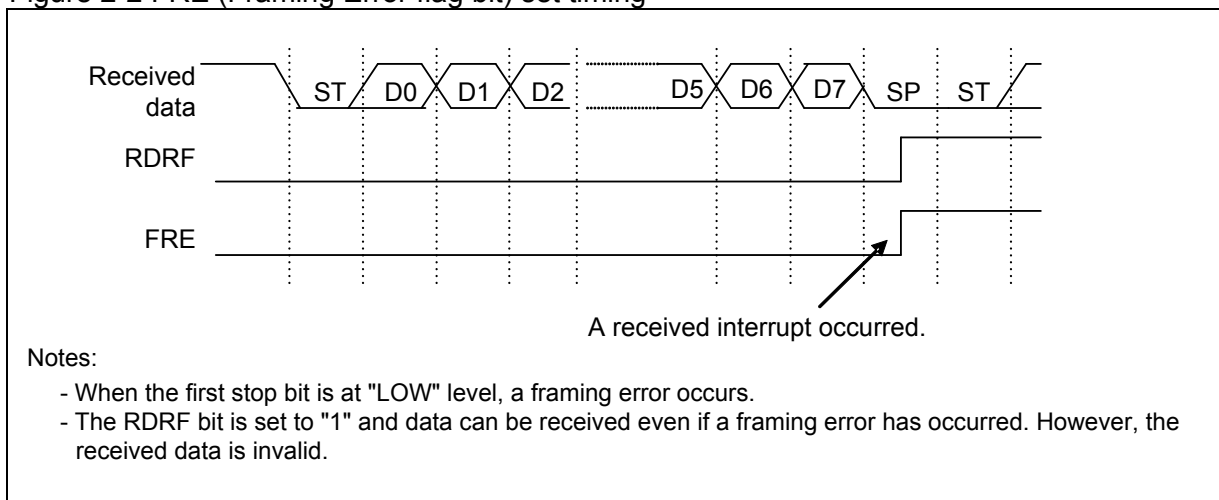


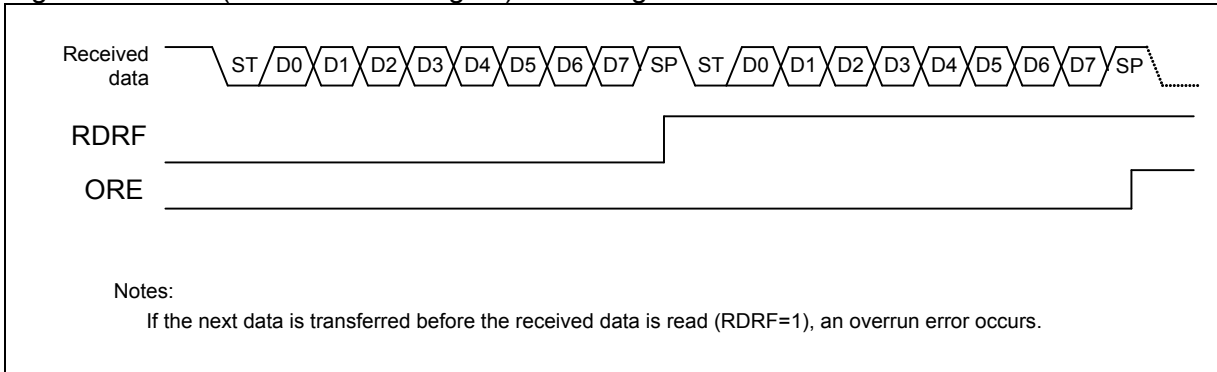
Figure 2-2 FRE (Framing Error flag bit) set timing



<Note>

During reception, if a falling edge of the serial data is detected concurrently with, or 1 to 2 bus clocks before the sampling point of the stop bit, the edge is ignored and the next data may not be received successfully. To output frames continuously, adequate intervals are required between frames.

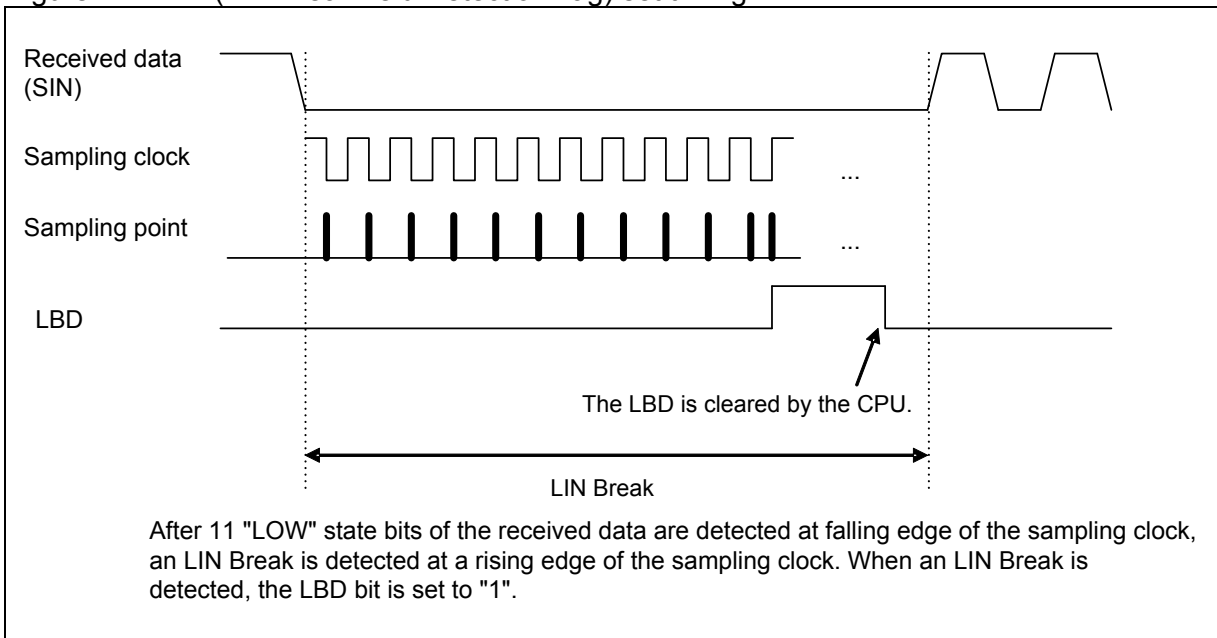
Figure 2-3 ORE (Overrun Error flag bit) set timing



■ **LIN break field detection flag (LBD) set timing**

If "0" is input for a width of 11 bits or more as serial input (SIN), the LBD bit is set to "1". If LIN break field interrupts are enabled (ESCR:LBIE = 1) then, a received interrupt occurs.

Figure 2-4 LBD (LIN Break field Detection flag) set timing



2.2. Interrupt and flag set timing when received FIFO is used

If received FIFO is used, an interrupt occurs when the FBYTE data (preset for the FBYTE register (FBYTE)) is received.

■ Received interrupt and flag set timing when received FIFO is used

If the received FIFO is used, an interrupt occurs depending on the value set for the FBYTE register.

- When the amount of data set for transfer count in the FBYTE register is received, the received data full flag (SSR:RDRF) of the Serial Status register is set to "1". If received interrupts are enabled (SCR:RIE) during this time, a received interrupt occurs.
- If both of the following conditions are satisfied and if the received idle state continues for more than 8 baud rate clocks, the received data full flag (SSR:RDRF) is set to "1".
 - The received FIFO idle detection enable bit (FCR:FRIIE) is "1".
 - The number of data sets stored in the received FIFO does not reach the transfer count.

If the RDR data is read during counting of 8 clocks, this counter is reset to 0 and counting for 8 clocks is restarted. If received FIFO is disabled, this counter is reset to "0". If data remains in the received FIFO and if received FIFO is enabled, the data counting is restarted.

- When the received data (RDR) is all read and received FIFO is emptied, the received data full flag (SSR:RDRF) is cleared.
- If the display of the valid received data amount is the same as the FIFO capacity and if the next data is received, an overrun error (SSR:ORE = 1) occurs.

Figure 2-5 Received interrupt occurrence timing when received FIFO is used

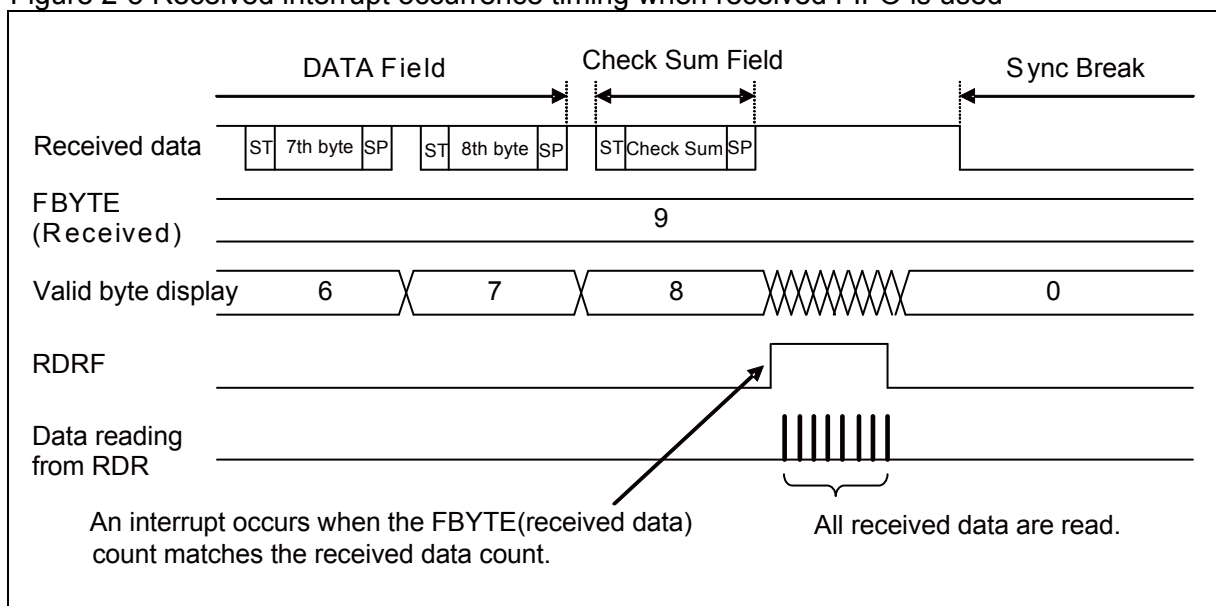
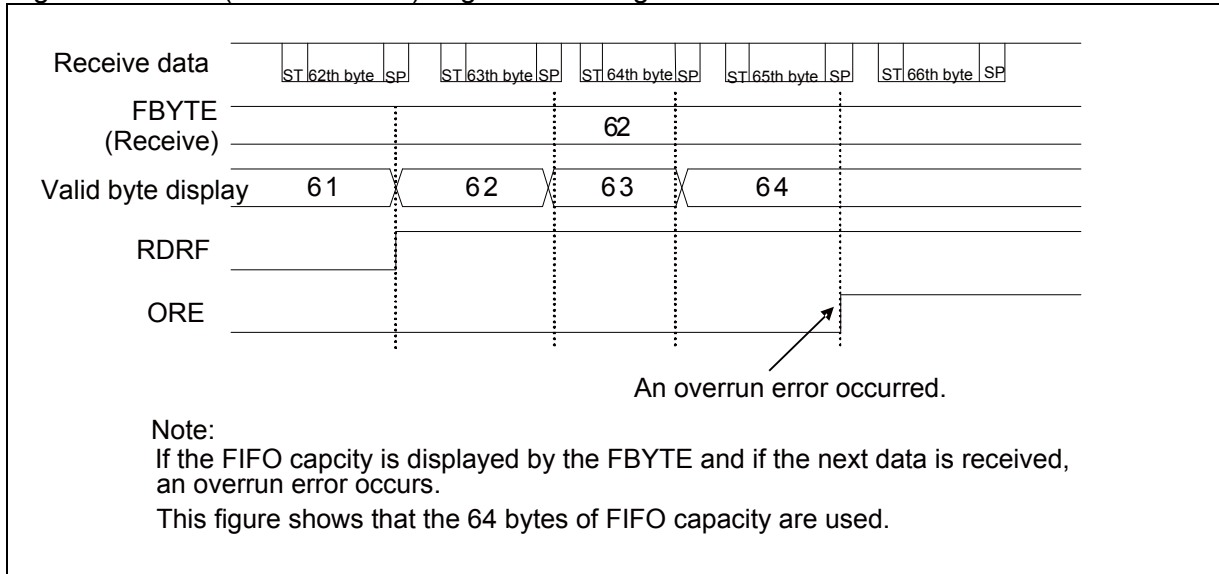


Figure 2-6 ORE (Overrun Error) flag bit set timing



2.3. Transmit interrupt and flag set timing

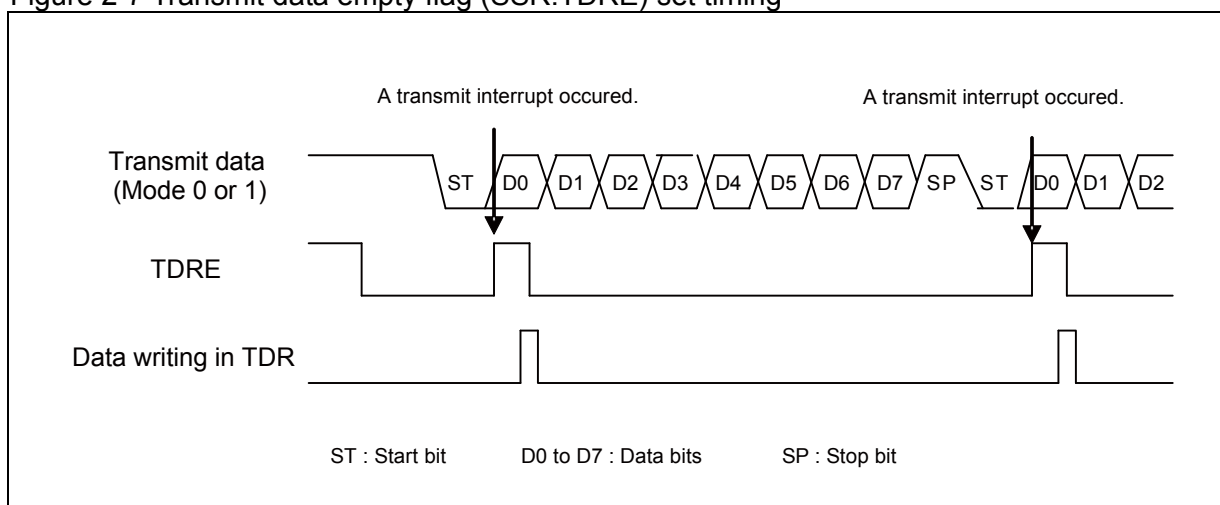
A transmit interrupt occurs when transmit data data is transferred from the Transmit Data Register (TDR) to the transmit shift register (SSR:TDRE = 1) and transmission starts and when no transmission is performed (SSR:TBI = 1).

■ Transmit interrupt and flag set timing

● Transmit data empty flag (TDRE) set timing

After data has been transferred from the Transmit Data Register (TDR) to the transmit shift register, the next data can be written (SSR:TDRE=1). If transmit interrupts are enabled (SCR:TIE=1) during this time, a transmit interrupt occurs. As the TDRE bit is read only, the SSR:TDRE bit is cleared to "0" when data is written to the Transmit Data Register (TDR).

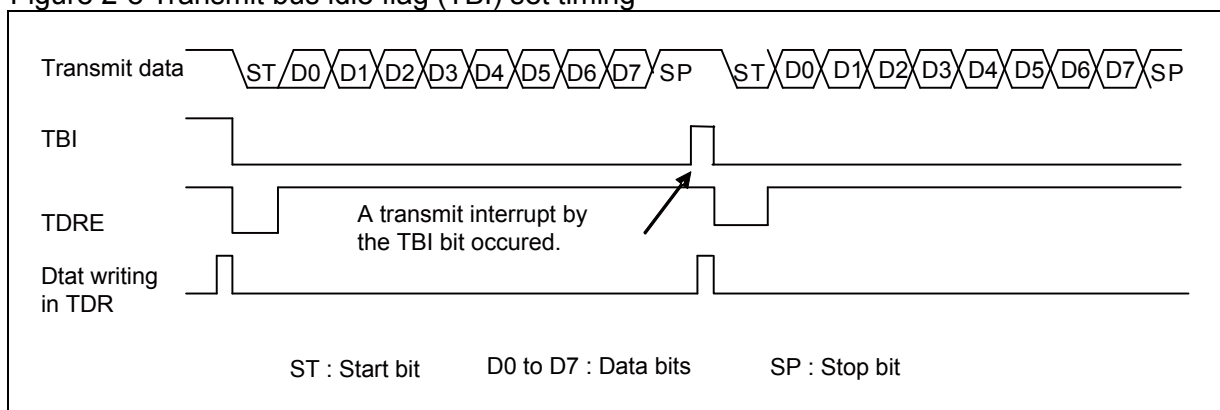
Figure 2-7 Transmit data empty flag (SSR:TDRE) set timing



● Transmit bus idle flag (TBI) set timing

If the Transmit Data Register is empty (TDRE=1) and no data is transmitted, the SSR:TBI bit is set to "1". If transmit bus idle interrupts are enabled (SCR:TBIE=1) during this time, a transmit interrupt occurs. When transmit data is written to the Transmit Data Register (TDR), both the TBI bit and the transmit interrupt request are cleared.

Figure 2-8 Transmit bus idle flag (TBI) set timing



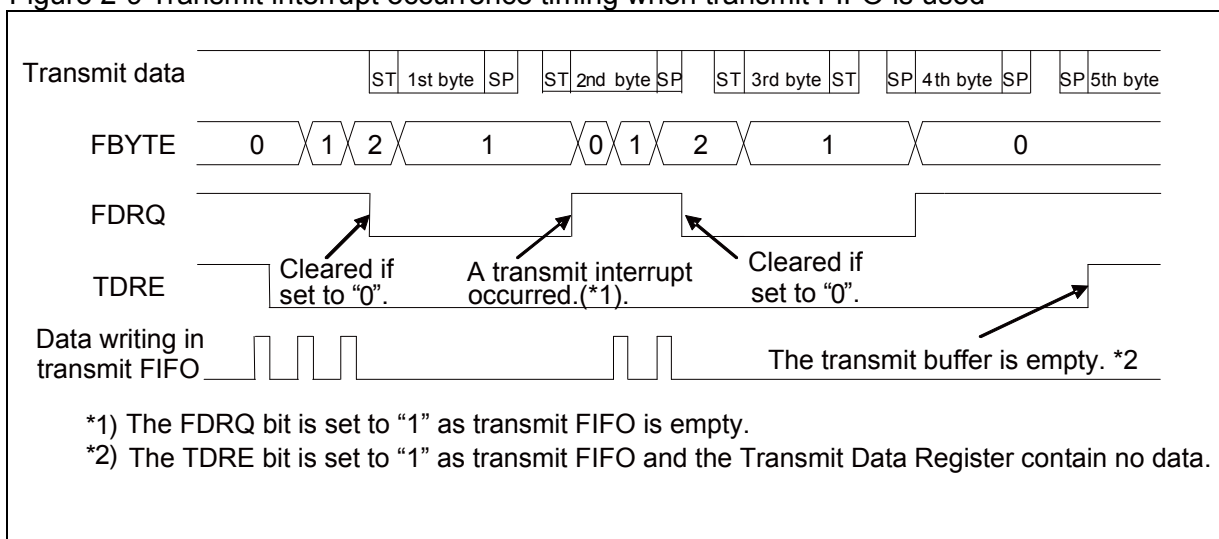
2.4. Interrupt and flag set timing when transmit FIFO is used

When the transmit FIFO is used, an interrupt occurs if the transmit FIFO contains no data.

■ Transmit interrupt and flag set timing when transmit FIFO is used

- If the transmit FIFO contains no data, the FIFO transmit data request bit (FCR1:FDRQ) is set to "1". If FIFO transmit interrupts are enabled (FCR1:FTIE=1) during this time, a transmit interrupt occurs.
- If a transmit interrupt has occurred and you have written the required data in transmit FIFO, clear the interrupt request by setting the FIFO transmit data request bit (FCR1:FDRQ) to "0".
- When transmit FIFO is filled with data, the FIFO transmit data request bit (FCR1:FDRQ) is set to "0".
- To check to see if transmit FIFO contains any data, read from the FIFO Byte Register (FBYTE). If FBYTE=0x00, no data exists in the transmit FIFO.

Figure 2-9 Transmit interrupt occurrence timing when transmit FIFO is used



3. Dedicated Baud Rate Generator

For the LIN interface (ver. 2.1) transmitting/receiving clock source, either of the following can be selected.

- Dedicated baud rate generator (reload counter)
 - An external clock input to the baud rate generator (reload counter)
-

■ LIN interface (ver. 2.1) baud rate

Select one of the following two baud rates.

● Baud rate obtained by dividing an internal clock using the dedicated baud rate generator (reload counter)

This generator provides two internal reload counters, which support transmitting and receiving serial clocks respectively. To select the baud rate, specify the 15-bit reload value using Baud Rate Generator Registers 1 and 0 (BGR1 and BGR0).

Each reload counter divides an internal clock by the set value.

To set the clock source, select an internal clock (SMR:EXT = 0).

● Baud rate obtained by dividing an external clock using the dedicated baud rate generator (reload counter)

Use an external clock for the clock source of the reload counter.

To select the baud rate, specify the 15-bit reload value using Baud Rate Generator Registers 1 and 0 (BGR1 and BGR0).

Each reload counter divides an external clock by the set value.

To set the clock source, select use of an external clock and the baud rate generator clock (SMR:EXT = 1).

This mode is designed for cases where an oscillator with a divided non-standard frequency is used.

<Notes>

- Set the external clock (EXT = 1) while the reload counter is stopped (BGR1/BGR0 = 15h00).
 - If an external clock is selected (EXT = 1), its HIGH and LOW signals must have a width at least of two bus clocks.
-

3.1. Baud rate settings

The following explains how to set the baud rate, and also a result of serial clock frequency calculation.

■ Calculating the baud rate

Two 15-bit reload counters are set using the Baud Rate Generator Registers 1 and 0 (BGR1 and BGR0). The baud rate is obtained in the following formulas.

(1) Reload value

$$V = \phi / b - 1$$

V : Reload value b: Baud rate ϕ : Bus clock frequency or external clock frequency

(2) Calculation example

To set the 16 MHz bus clock, use the internal clock, and set the 19200 bps baud rate, set the reload value as follows:

Reload value:

$$V = (16 \times 1000000) / 19200 - 1 = 832$$

Therefore, the baud rate is:

$$b = (16 \times 1000000) / (832 + 1) = 19208 \text{ bps}$$

(3) Baud rate error

The baud rate error can be obtained from the following equation.

$$\text{Error (\%)} = (\text{Calculated value} - \text{Target value}) / \text{Target value} \times 100$$

Example: To set the 20 MHz bus clock and 153600 bps target baud rate:

$$\text{Reload value} = (20 \times 1000000) / (129 + 1)$$

$$\text{Baud rate (Calculated value)} = (20 \times 1000000) / (129 + 1) = 153846 \text{ (bps)}$$

$$\text{Error (\%)} = (153846 - 153600) / 153600 \times 100 = 0.16 \text{ (\%)}$$

<Notes>

- If the reload value is set to "0", the reload counter is stopped.
- If the reload value is even, the "LOW" signal width of serial clock is longer than the "HIGH" signal width for a single cycle of bus clock. If the value is odd, the serial clock has the same "HIGH" and "LOW" signal width.
- Set the reload value to 3 or more. Note that data may not be received normally due to the baud rate error and reload value setting.

■ **Reload value and baud rate for each bus clock frequency**

Table 3-1 Reload values and baud rates

Baud rate (bps)	8 MHz		10 MHz		16 MHz		20 MHz		24 MHz		32 MHz	
	Value	ERR	Value	ERR	Value	ERR	Value	ERR	Value	ERR	Value	ERR
8M	-	-	-	-	-	-	-	-	-	-	3	0
6M	-	-	-	-	-	-	-	-	3	0	-	-
5M	-	-	-	-	-	-	3	0	-	-	-	-
4M	-	-	-	-	3	0	4	0	5	0	7	0
2.5M	-	-	3	0	-	-	7	0	-	-	-	-
2M	3	0	4	0	7	0	9	0	11	0	15	0
1M	7	0	9	0	15	0	19	0	23	0	31	0
500000	15	0	19	0	31	0	39	0	47	0	63	0
460800	-	-	-	-	-	-	-	-	51	-0.16	-	-
250000	31	0	39	0	63	0	79	0	95	0	127	0
230400	-	-	-	-	-	-	86	-0.22	103	0.16	138	-0.08
153600	51	0.16	64	0.16	103	0.16	129	0.16	155	0.16	207	0.16
125000	63	0	79	0	127	0	159	0	191	0	255	0
115200	-	-	86	-0.22	138	-0.08	173	-0.22	207	0.16	277	-0.08
76800	103	0.16	129	0.16	207	0.16	259	0.16	311	-0.16	416	-0.08
57600	138	-0.08	173	-0.22	277	-0.08	346	0.16	416	-0.08	555	-0.08
38400	207	0.16	259	0.16	416	-0.08	520	-0.03	624	0	832	0.04
28800	277	-0.08	346	0.06	554	-0.01	693	0.06	832	0.04	1110	0.01
19200	416	-0.08	520	-0.03	832	0.04	1041	-0.03	1249	0	1666	-0.02
10417	767	<0.01	959	<0.01	1535	<0.01	1919	<0.01	2303	<0.01	3071	<0.01
9600	832	0.04	1041	<0.01	1666	-0.02	2082	0.01	2499	0	3332	0.01
7200	1110	<0.01	1388	<0.01	2221	<0.01	2777	<0.01	3332	<0.01	4443	0.01
4800	1666	-0.02	2082	0.01	3332	<0.01	4166	<0.01	4999	0	6666	<0.01
2400	3332	<0.01	4166	<0.01	6666	<0.01	8332	<0.01	9999	0	13332	<-0.01
1200	6666	<0.01	8332	<0.01	13332	<0.01	16666	<0.01	19999	0	26666	<0.01
600	13332	<0.01	16666	<0.01	26666	<0.01	-	-	-	-	-	-
300	26666	<0.01	-	-	-	-	-	-	-	-	-	-

Value: BGR1/0 register set value

ERR: Baud rate error (%)

Table 3-2 Reload values and baud rates (Continued)

Baud rate (bps)	40 MHz		48 MHz		72 MHz		80 MHz	
	Value	ERR	Value	ERR	Value	ERR	Value	ERR
8M	4	0	5	0	8	0	9	0
6M	-	-	7	0	11	0	-	-
5M	7	0	-	-	-	-	15	0
4M	9	0	11	0	17	0	19	0
2.5M	15	0	-	-	-	-	31	0
1M	39	0	47	0	71	0	79	0
500000	79	0	95	0	143	0	159	0
460800	86	-0.22	103	0.16	155	0.16	173	-0.22
250000	159	0	191	0	287	0	319	0
230400	173	-0.22	207	0.16	312	-0.16	346	0.06
153600	259	0.16	312	-0.16	468	-0.05	520	-0.03
125000	319	0	383	0	575	0	639	0
76800	520	-0.03	624	0	937	-0.05	1041	-0.03
57600	693	0.06	832	0.04	1249	0	1388	<0.01
38400	1041	-0.03	1249	0	1874	0	2082	0.01
28800	1388	<0.01	1666	-0.02	2499	0	2777	<0.01
19200	2082	0.01	2499	0	3749	0	4166	-0.01
10417	3839	<0.01	4607	<0.01	6911	<0.01	7679	0
9600	4166	<0.01	4999	0	7499	0	8332	0
7200	5555	<0.01	6666	<0.01	9999	0	11110	0
4800	8332	<0.01	9999	0	14999	0	16666	0
2400	16666	<0.01	19999	0	29999	0	-	-
1200	-	-	-	-	-	-	-	-
600	-	-	-	-	-	-	-	-
300	-	-	-	-	-	-	-	-

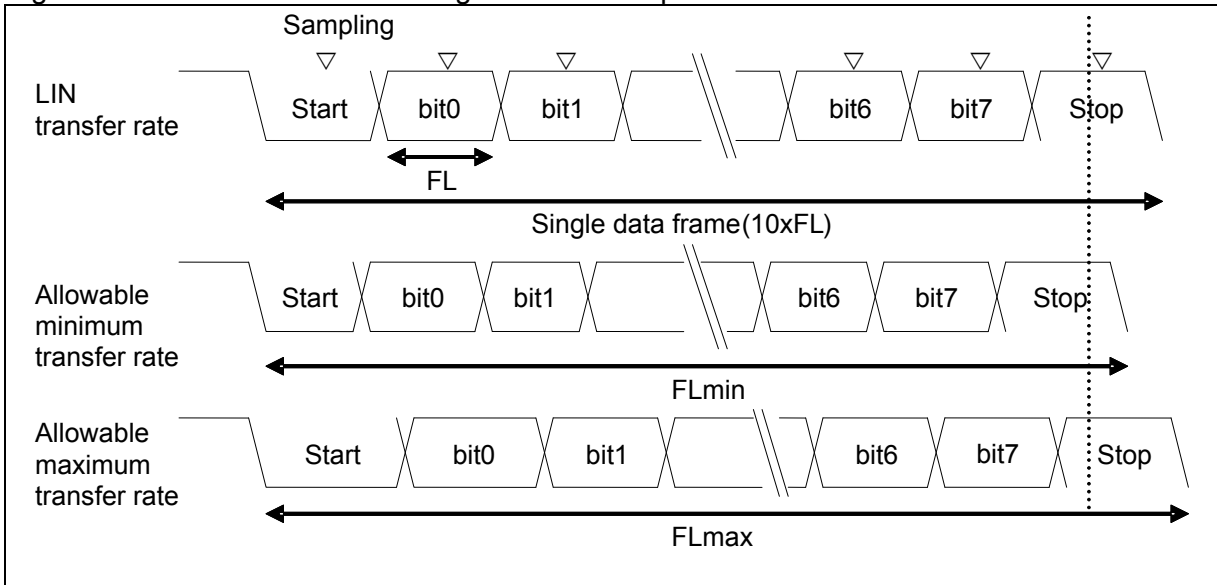
For frequencies not described in Table 3-1 and Table 3-2, calculate them by using formulas in “3.1 Baud rate settings”. (However, for the maximum frequencies, see “Data Sheet” of the product used because they are differed by products)

■ Allowable baud rate range for data reception

The following shows the range of baud rate error allowed for the destination to receive data.

Set the reception baud rate error by using the following formulas to ensure that the value falls within the allowable range.

Figure 3-1 Allowable baud rate range for data reception



As shown in Figure 3-1, after detection of the start bit, the sampling timing of received data is determined by the counter set in the BGR1/BGR0 register. Data can be received successfully if the last data including the stop bit matches the sampling timing.

If this applies to a reception of 10 bits, a theoretical explanation can be given in the following.

Assuming that the sampling timing margin is one bus clock (ϕ), the minimum allowable transfer rate (FLmin) is determined as follows:

$$FL_{min} = (10bit \times (V+1) - (V+1)/2 + 2) / \phi = (19V + 23) / 2 \phi \text{ (s)} \quad V: \text{Reload value, } \phi: \text{Bus clock}$$

Thus, the maximum baud rate that allows the destination to receive data (BGmax) is determined as follows.

$$BG_{max} = 10 / FL_{min} = 20\phi / (19V + 23) \text{ (bps)} \quad V: \text{Reload value, } \phi: \text{Bus clock}$$

When data is received at the maximum allowable transfer rate (FLmax), the starting point of the received data 10th bit is sampled.

Thus, the maximum allowable transfer rate (FLmax) is determined as follows:

$$9 / 10 \times FL_{max} = (10bit \times (V+1) - (V+1)/2) / \phi \quad V: \text{Reload value, } \phi: \text{Bus clock}$$

$$FL_{max} = (19/18 \times 10 \times (V+1)) / \phi$$

Assuming that the sampling timing margin (ϕ) is two clocks, the maximum allowable transfer rate (FLmax) is determined as follows:

$$9 / 10 \times FL_{max} = (10bit \times (V+1) - (V+1)/2 - 2) / \phi \quad V: \text{Reload value, } \phi: \text{Bus clock}$$

$$FL_{max} = (19/18 \times 10 \times (V+1) - 40/18) / \phi = (190V + 150) / 18 \phi \text{ (s)} \quad V: \text{Reload value, } \phi: \text{Bus clock}$$

Accordingly, the minimum baud rate that allows the destination to receive data (BGmin) is determined as follows:

$$BG_{min} = 10 / FL_{max} = 18\phi / (19V + 15) \text{ (bps)} \quad V: \text{Reload value, } \phi: \text{Bus clock}$$

From the above formulas that yields the minimum/maximum baud rates, the allowable baud rate errors between the LIN interface (ver. 2.1) and the destination can be obtained as shown in the following table.

Reload value (V)	Maximum allowable baud rate error	Minimum allowable baud rate error
3	0%	0
10	+3.28%	-3.41%
50	+4.83%	-4.87%
100	+5.04%	-5.07%
200	+5.15%	-5.16%
32767	+5.26%	-5.26%

<Note>

Reception accuracy depends on the number of bits per frame, bus clock, and reload value. The higher the bus clock and frequency division ratio are, the higher the accuracy becomes.

■ External clock

Writing "1" to the EXT bit of the Baud Rate Generator Register (BGR) causes the baud rate generator to divide the external clock's frequency.

<Note>

The external clock signal is synchronized with the internal clock on the LIN interface (ver. 2.1). Therefore, an external clock that does not allow synchronization causes unstable operation.

■ Functions of reload counter

There are two types of reload counters: The transmit reload counter and the received reload counter, both functioning as a dedicated baud rate generator. Each reload counter consists of a 15-bit register for the reload value, and generates transmitting and receiving clocks from the external or internal clock.

■ Starting counting

When the reload value is written to the Baud Rate Generator Register1, 0 (BGR1 or BGR0), the reload counter starts counting.

■ Restarting

The reload counter restarts counting in the following conditions.

● Common to transmit and received reload counters

A programmable reset (SCR:UPCL bit)

● Received reload counter

Detection of the start bit's falling edge in asynchronous mode

4. LIN Interface (Ver. 2.1) Operations

The LIN interface (ver. 2.1) performs bi-directional LIN communication of master and slave.

■ Master mode operations

● Selecting master mode

To operate the LIN interface as a master, set the SCR:MS bit to "0".

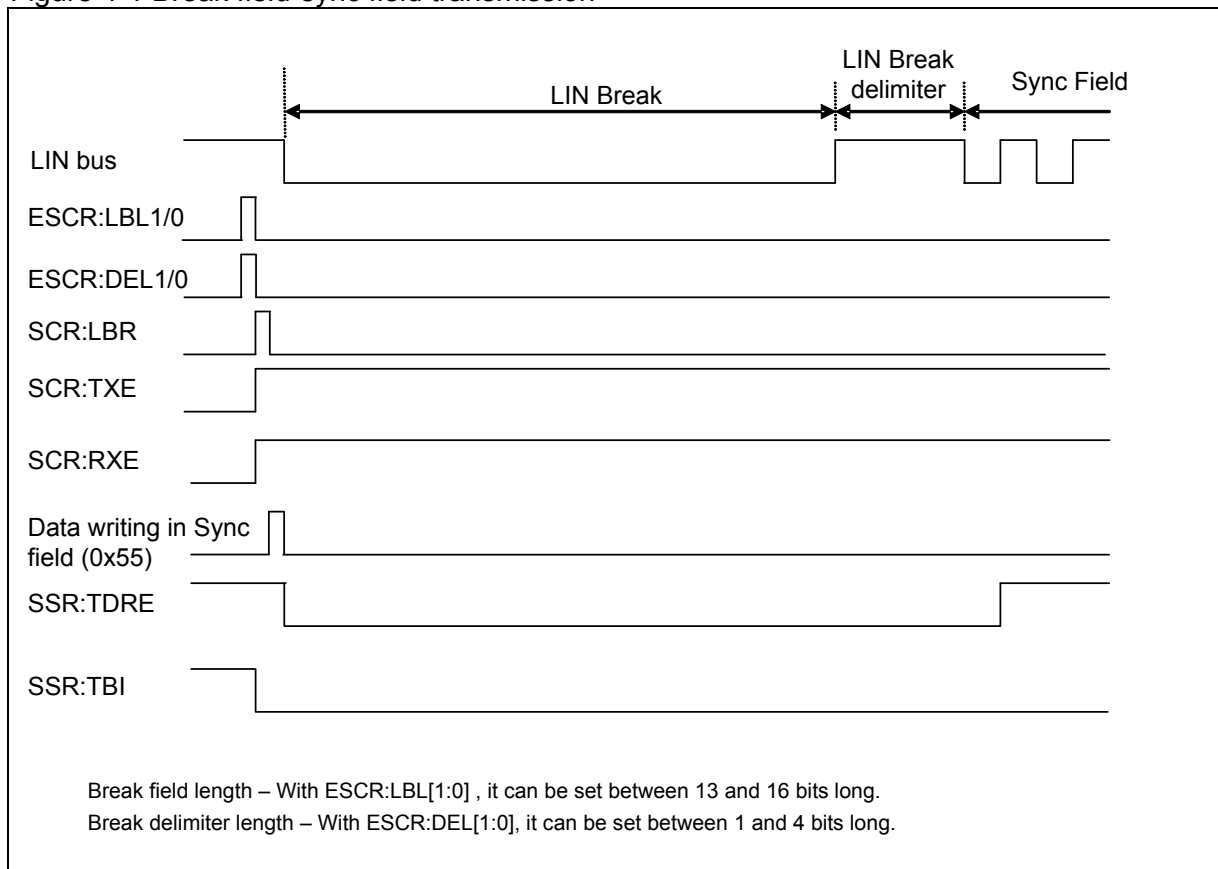
● Break field transmission-sync field transmission

- The break field length (ESCR:LBL1, LBL0) and the break field delimiter length (ESCR:DEL1, DEL0) can be selected.
- If transmission is enabled (SCR:TXE=1), and the SCR:LBR bit (LIN Break field setting bit) is set to "1", then the break field is transmitted.
- The sync field is transmitted when "0x55" is written to the Transmit Data Register (TDR).

<Notes>

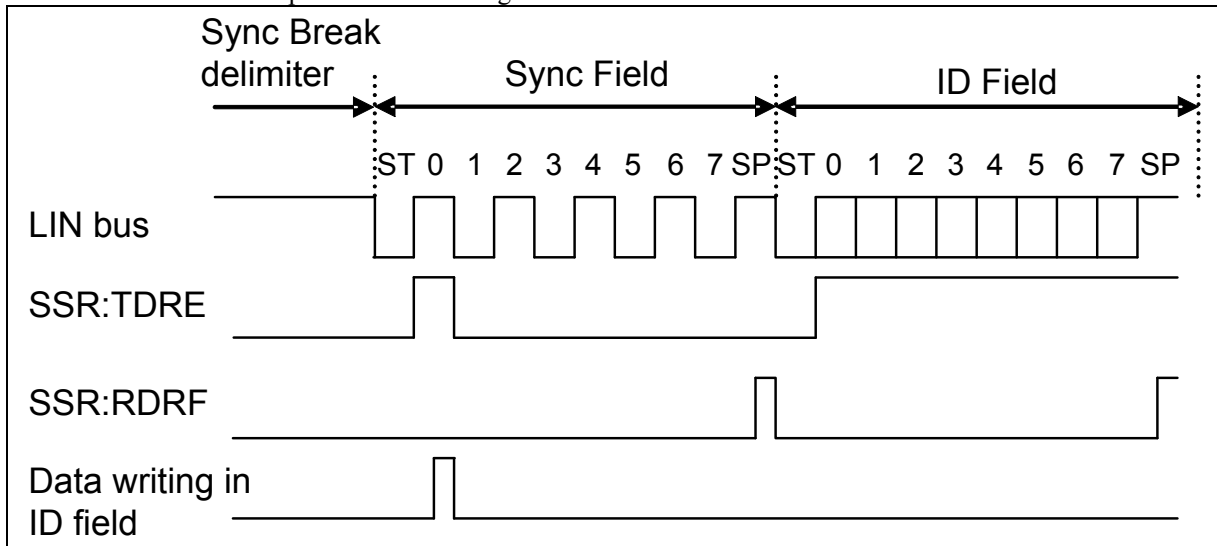
- Before setting the Transmit Data Register (TDR) to "0x55", set the SCR:LBR bit (LIN break field setting bit) to "1".
- Setting the SCR:RXE bit (reception enable bit) to "1" does not enable the Break field to perform reception.

Figure 4-1 Break field-sync field transmission



● **Sync field transmission - ID field transmission**

- When the first bit of the sync field (0x55) is transmitted, the SSR:TDRE (transmit data empty) bit is set to "1".
 If transmit interrupts are enabled (SCR:TIE = 1) during this time, a transmit interrupt occurs.
- If a transmit interrupt occurs, the ID field can be written to the Transmit Data Register (TDR).
- If a received interrupt occurs, compare the received data with the transmit data to make sure that no error has occurred.
- The ID field is output in 8-bit data length and LSB-first order.



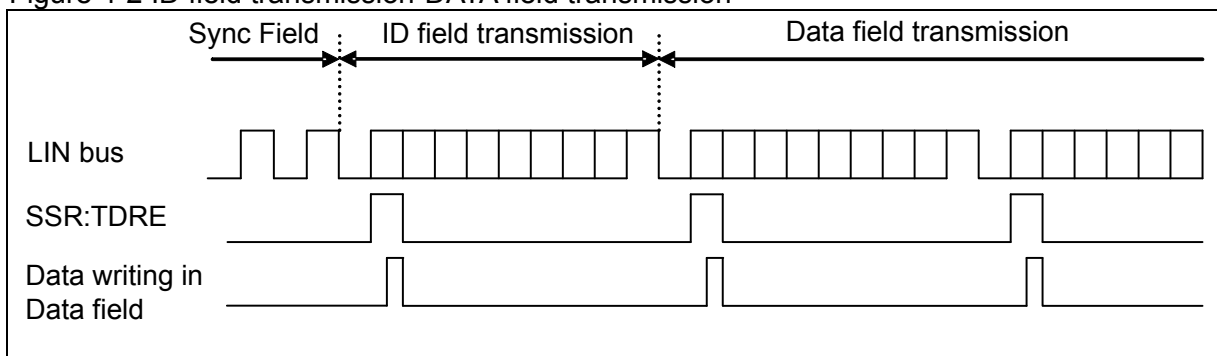
● **ID field transmission - DATA field transmission/reception**

Select whether to transmit the DATA field to a slave device or to receive the DATA field.

(To transmit the DATA field)

When the first bit of the ID field is transmitted, the SSR:TDRE bit is set to "1". Then data can be written to the DATA field.

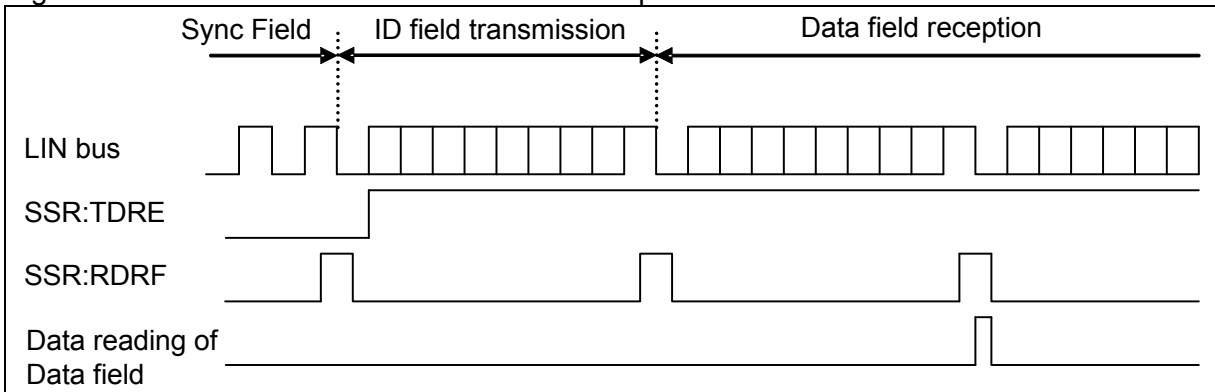
Figure 4-2 ID field transmission-DATA field transmission



(To receive the DATA field)

- When the first bit of the ID field is transmitted, the SSR:TDRE bit is set to "1". However, do not write any transmit data then.
 Also disable transmit interrupts (SCR:TIE = 0).
- When the DATA field is received, SSR:RDRF is set to "1". If received interrupts are enabled (SSR:RIE = 1) then, a received interrupt occurs.
- A start bit is detected when a falling edge is detected after data passes the noise filter (with the majority value applied after sampling serial data input three times with the bus clock) and a LOW level is detected for the data passing the sampling point.

Figure 4-3 ID field transmission - DATA field reception



<Notes>

- The LIN interface (Ver. 2.1) includes noise filter (with the majority value applied after sampling serial data input three times with the bus clock). However, design the board so as not to allow noise to pass through this filter or perform communications so that any noise that has passed does not cause any problems (e.g., by adding a data checksum to the end and resending the data if any error occurs).
- During reception, if a falling edge of the serial data is detected concurrently with, or 1 to 2 bus clocks before the sampling point of the stop bit, the edge is ignored and the next data cannot be received successfully. To output frames continuously, adequate intervals should be considered between frames.

● Master mode operation timing chart (when FIFO is not used)

Figure 4-4 LIN bus timing (when DATA field is transmitted and FIFO is not used)

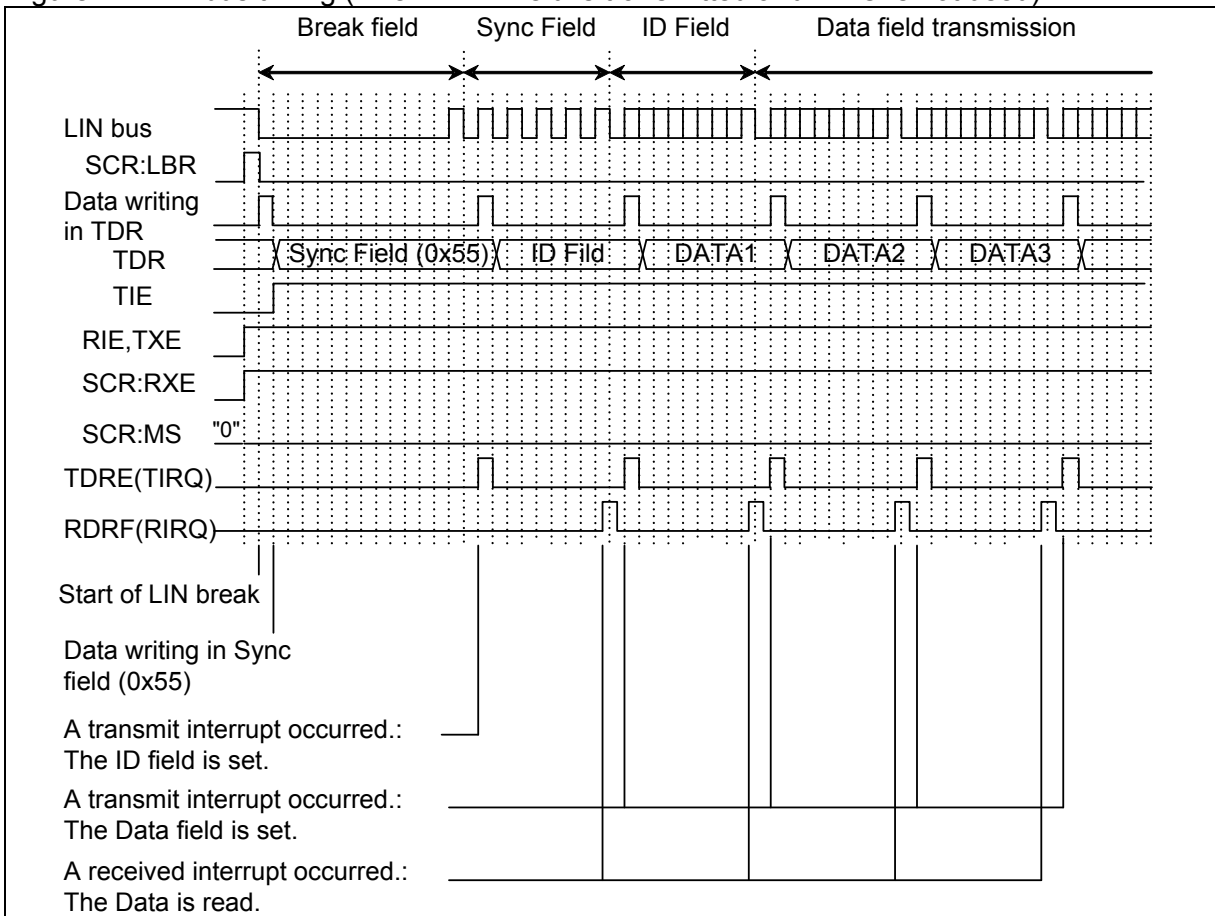
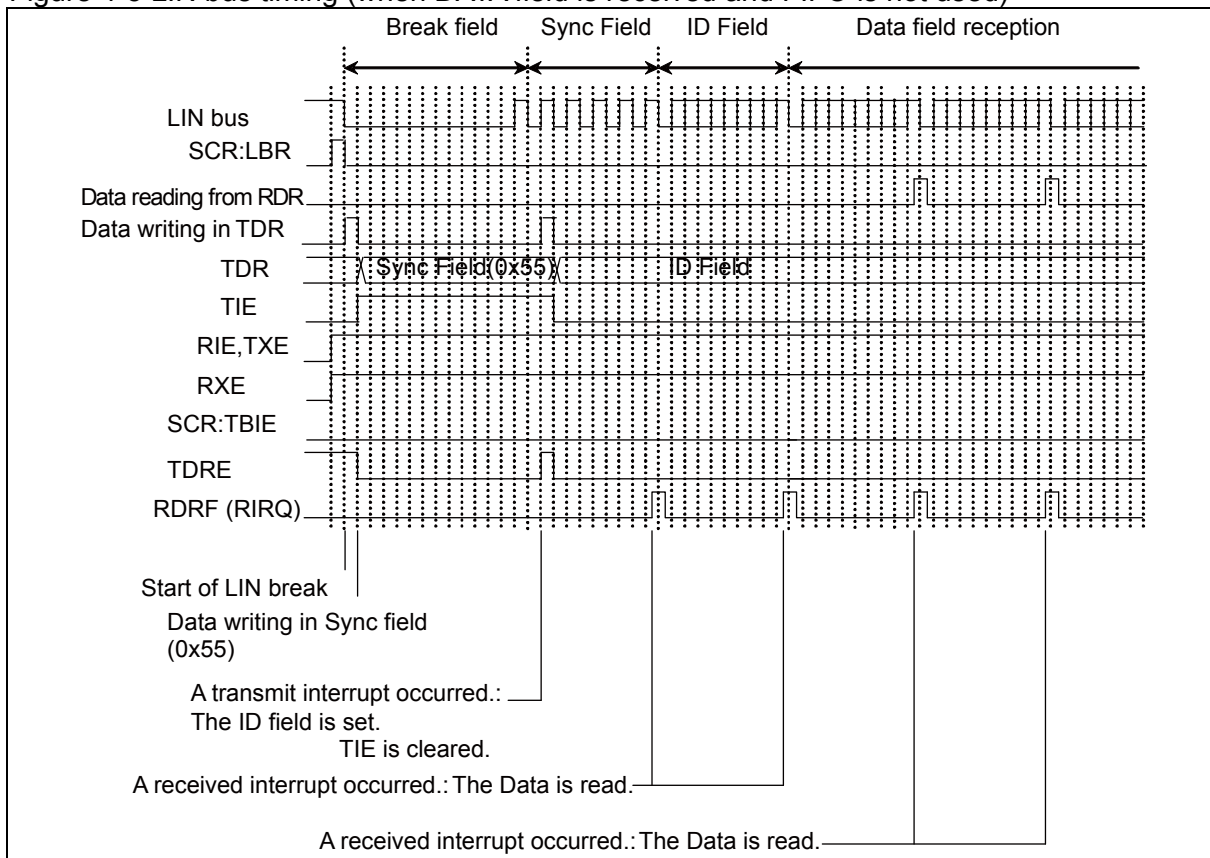


Figure 4-5 LIN bus timing (when DATA field is received and FIFO is not used)



● **Master mode operation timing chart (when FIFO is used)**

Figure 4-6 LIN bus timing (when DATA field is transmitted and FIFO is used)

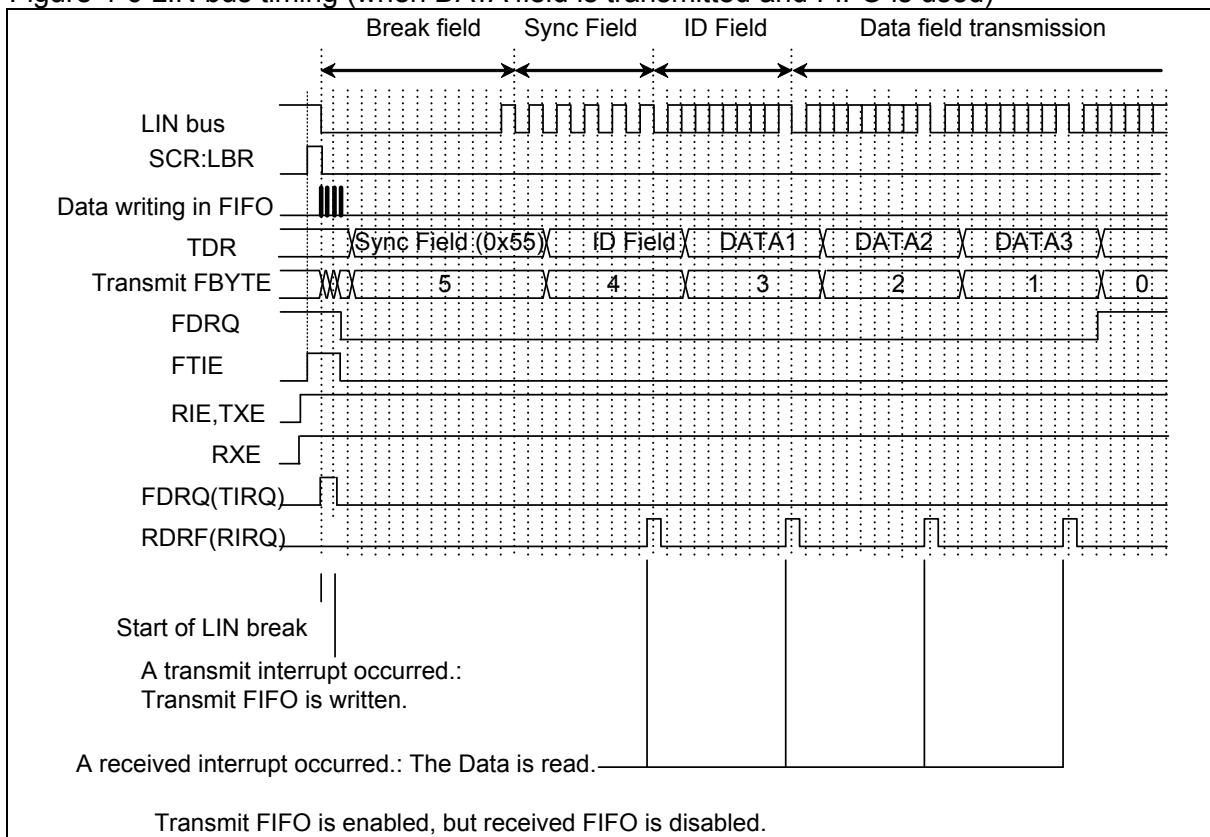
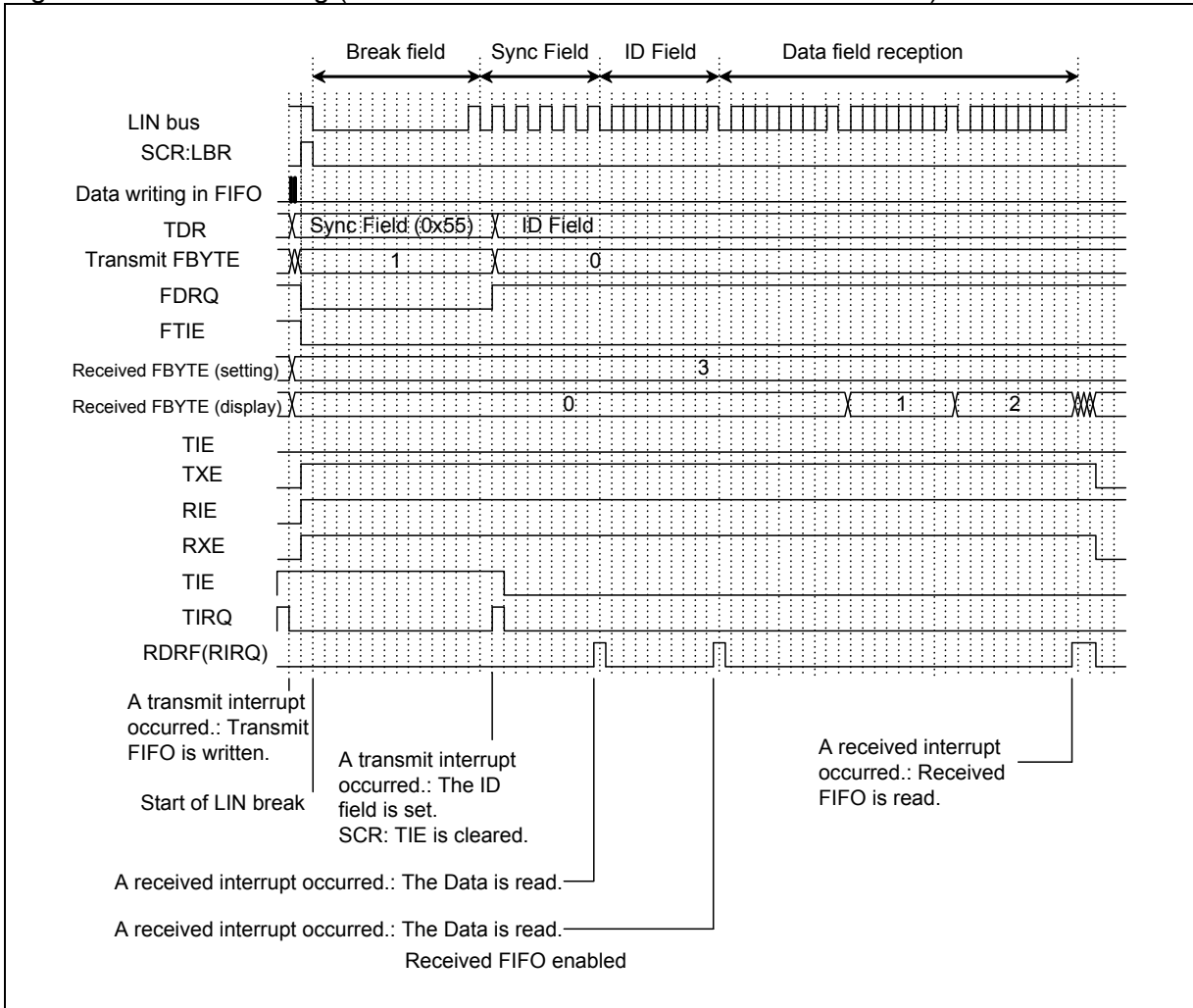


Figure 4-7 LIN bus timing (when DATA field is received and FIFO is used)



■ **Slave mode operations**

● **Selecting slave mode**

To operate the LIN interface as a slave, set the SCR:MS bit to "1".

● **Break field reception - sync field reception**

1. If the break field is input, the break field is detected (SSR:LBD = 1) at the 11th bit.
 If the ESCR:LBIE bit is set to "1" then, a received interrupt occurs.
2. Enable ICU interrupts then to detect both edges.
3. The LIN interface (ver. 2.1), upon the detection of the first falling edge in the sync field, sets the internal signal (LSYN) input to ICU to HIGH to start the ICU. This internal signal (LSYN) turns to LOW at the fifth falling edge.
4. The internal signal (LSYN) input to ICU is a value that the HIGH period multiplies the baud rate by eight. The baud rate set value is obtained as follows:

If the free run timer is not overflowed:

$$\text{BGR value} = (b - a) \times Fe / (8 \times \phi) - 1$$

If the free run timer is overflowed:

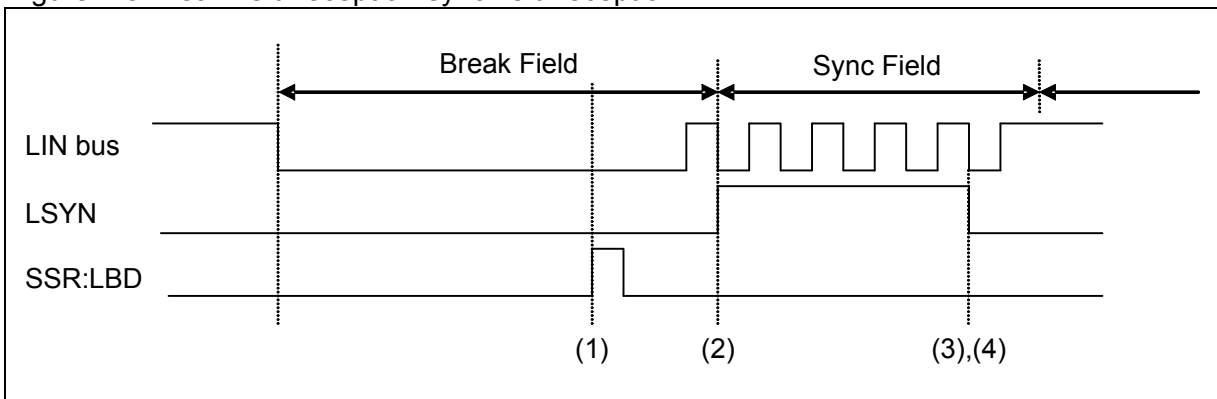
$$\text{BGR value} = (\text{max} + 1 + b - a) \times Fe / (8 \times \phi) - 1$$

- max : Maximum value of the free run timer
- a : The ICU data register value after the first interrupt
- b : The ICU data register value after the second interrupt
- ϕ : Bus clock frequency (MHz)
- Fe : External clock frequency (MHz). When the internal clock is used (EXT = 0), Fe = ϕ is assumed.

<Note>

To operate the break field and the sync field, disable the reception (SCR:RXE = 0).

Figure 4-8 Break field reception-sync field reception



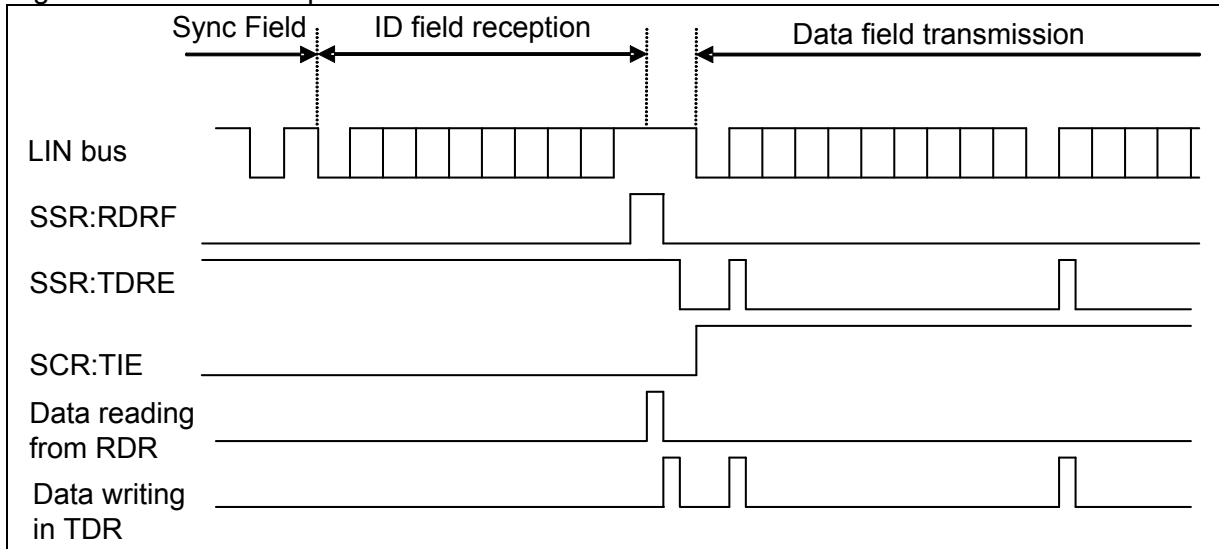
● **ID field reception - DATA field transmission/reception**

After reception of the ID field, whether to transmit or to receive the DATA field to master can be selected.

(To transmit the DATA field)

After reception of the ID field, write data to the Transmit Data Register (TDR). Enable transmit interrupts (SCR:TIE = 1) during this time.

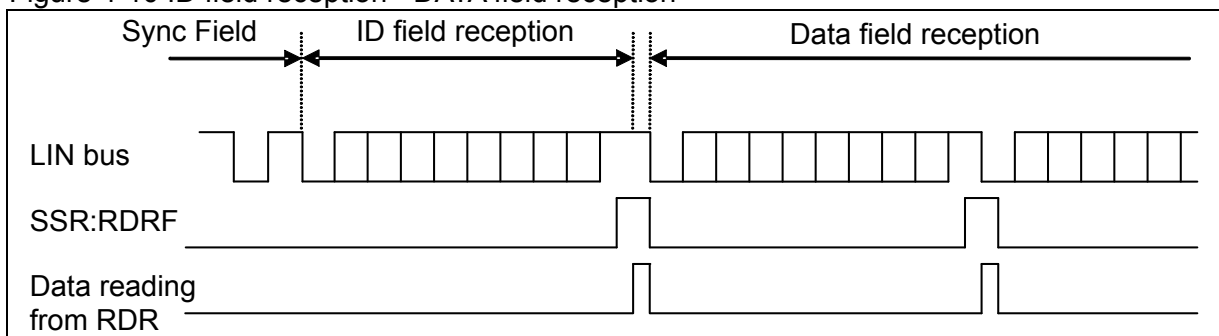
Figure 4-9 ID field reception - DATA field transmission



(To receive the DATA field)

- Every time the DATA field is received, SSR:RDRF is set to "1". If received interrupts are enabled (SCR:RDRF = 1) then, a received interrupt occurs.
- A start bit is detected when a falling edge is detected after data passes the noise filter (with the majority value applied after sampling serial data input three times with the bus clock) and a LOW level is detected for the data passing the sampling point.

Figure 4-10 ID field reception - DATA field reception



<Notes>

- The LIN interface (Ver. 2.1) includes noise filter (with the majority value applied after sampling serial data input three times with the bus clock). However, design the board so as not to allow noise to pass through this filter or perform communications so that any noise that has passed does not cause any problems (e.g., by adding a data checksum to the end and resending the data if any error occurs).
- During reception, if a falling edge of the serial data is detected concurrently with, or 1 to 2 bus clocks before the sampling point of the stop bit, the edge is ignored and the next data cannot be received successfully. To output frames continuously, adequate intervals should be considered between frames.

● **Slave mode operation timing chart**

Figure 4-11 LIN bus timing (when DATA field is transmitted and FIFO is not used)

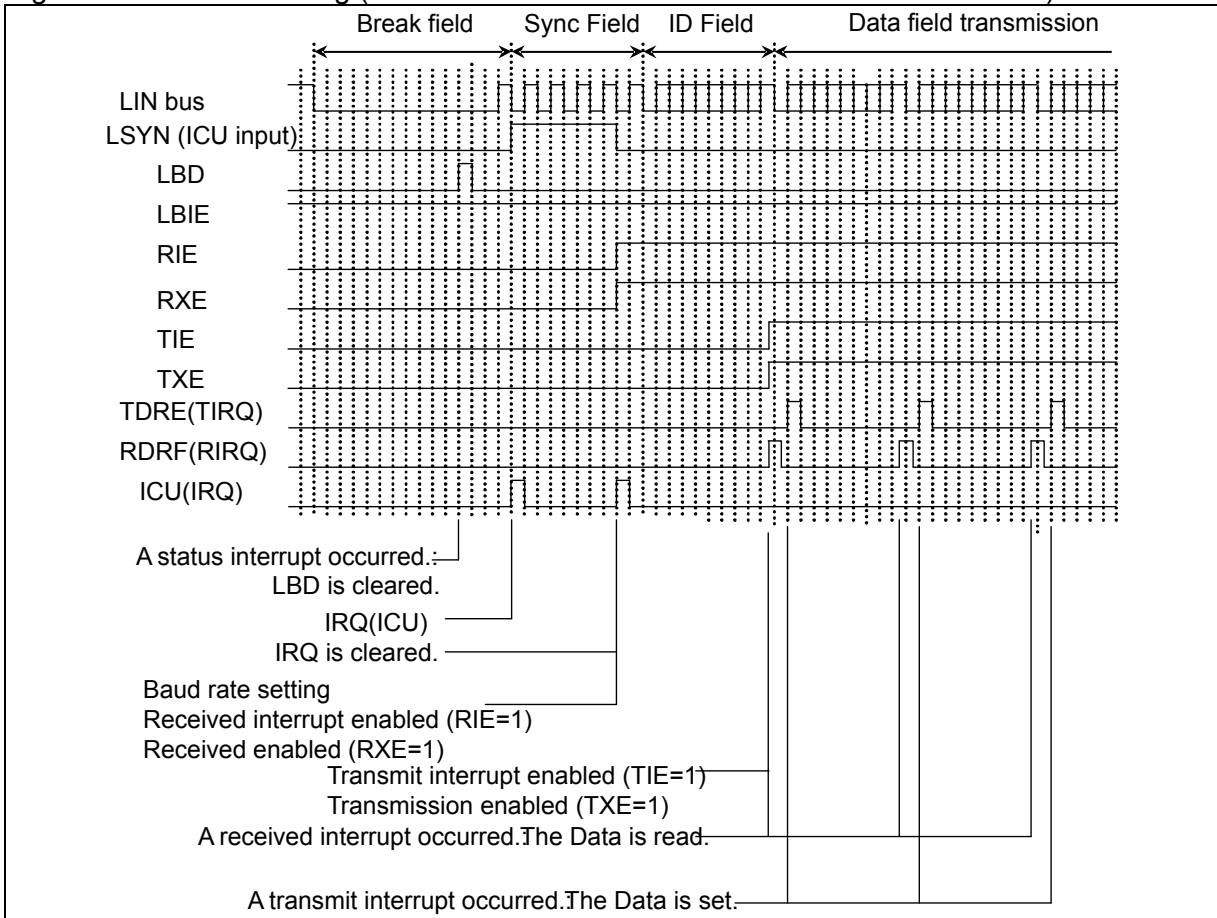
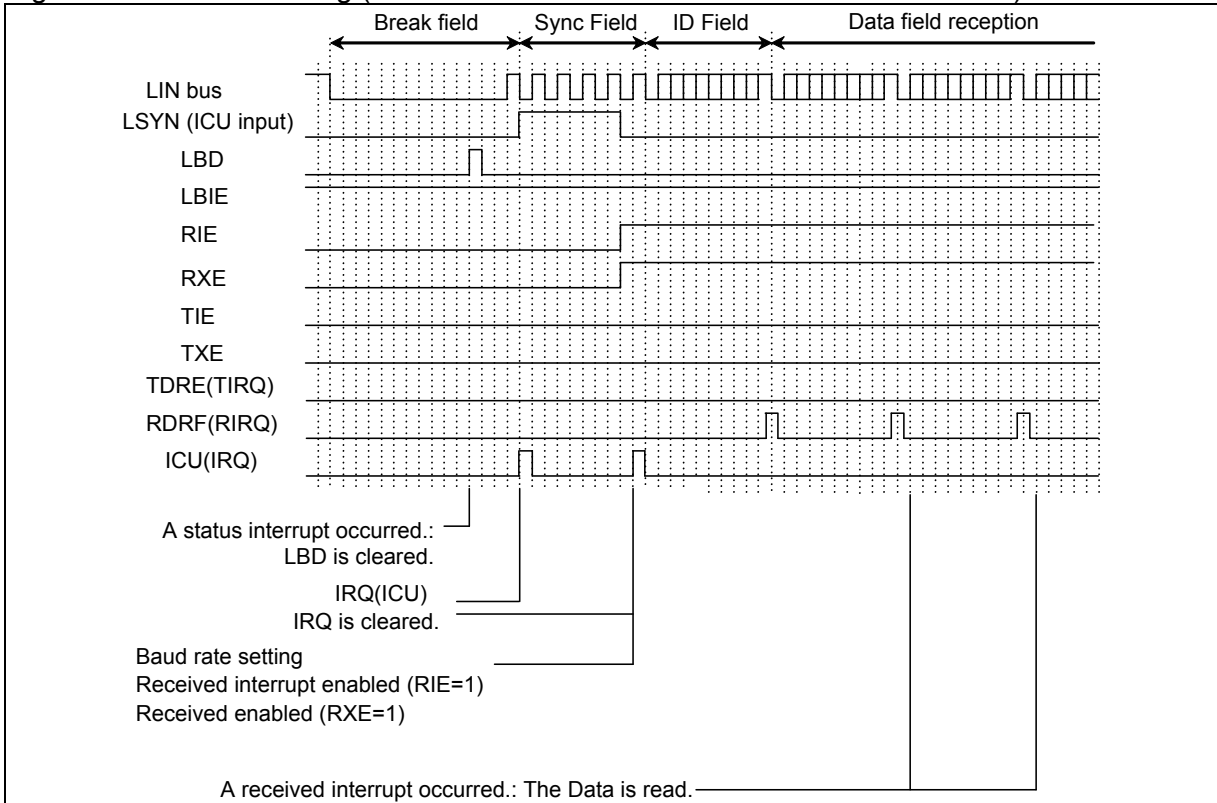


Figure 4-12 LIN bus timing (when DATA field is received and FIFO is not used)



● **If FIFO is used**

Figure 4-13 LIN bus timing (when DATA field is transmitted and FIFO is used)

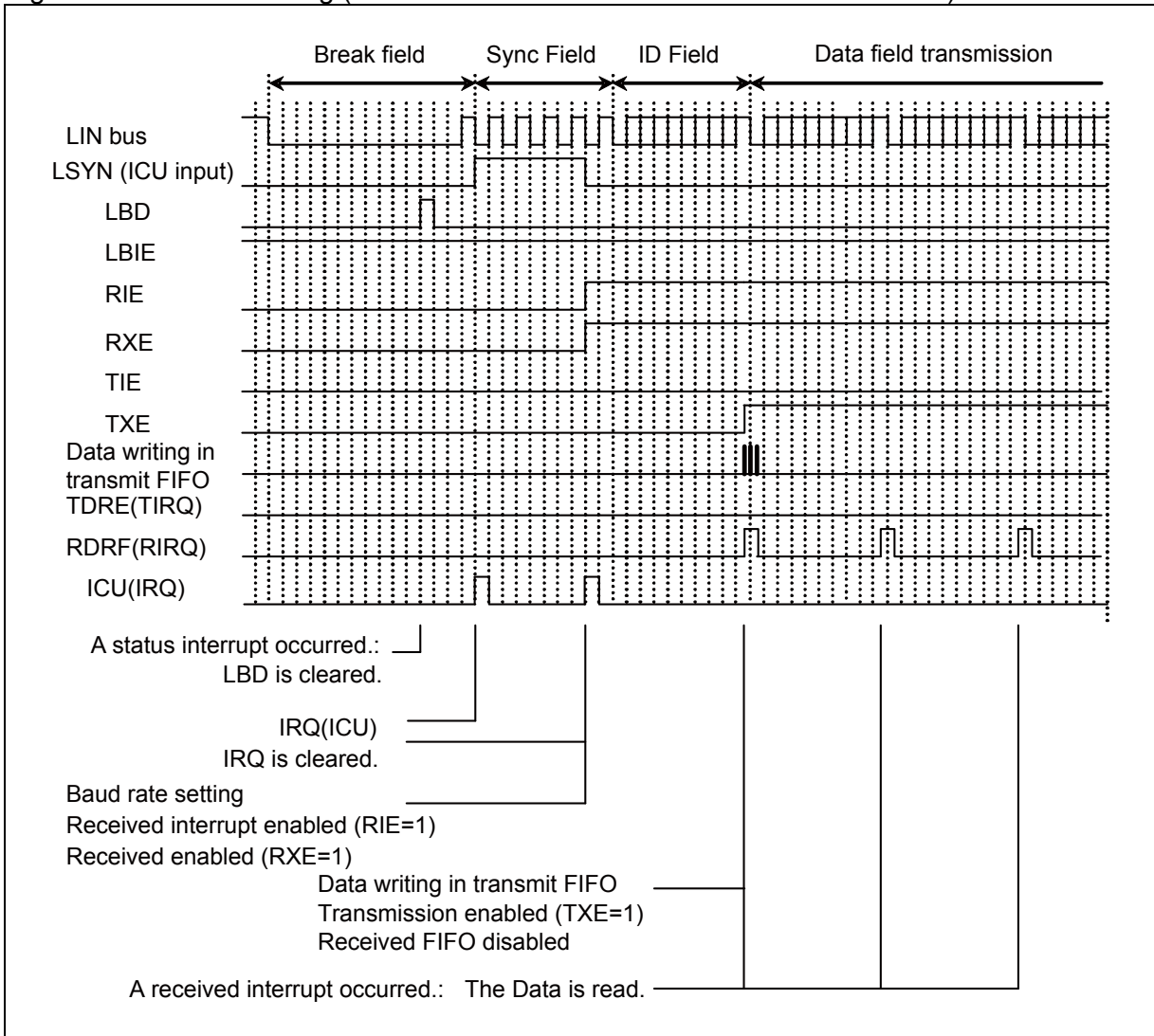
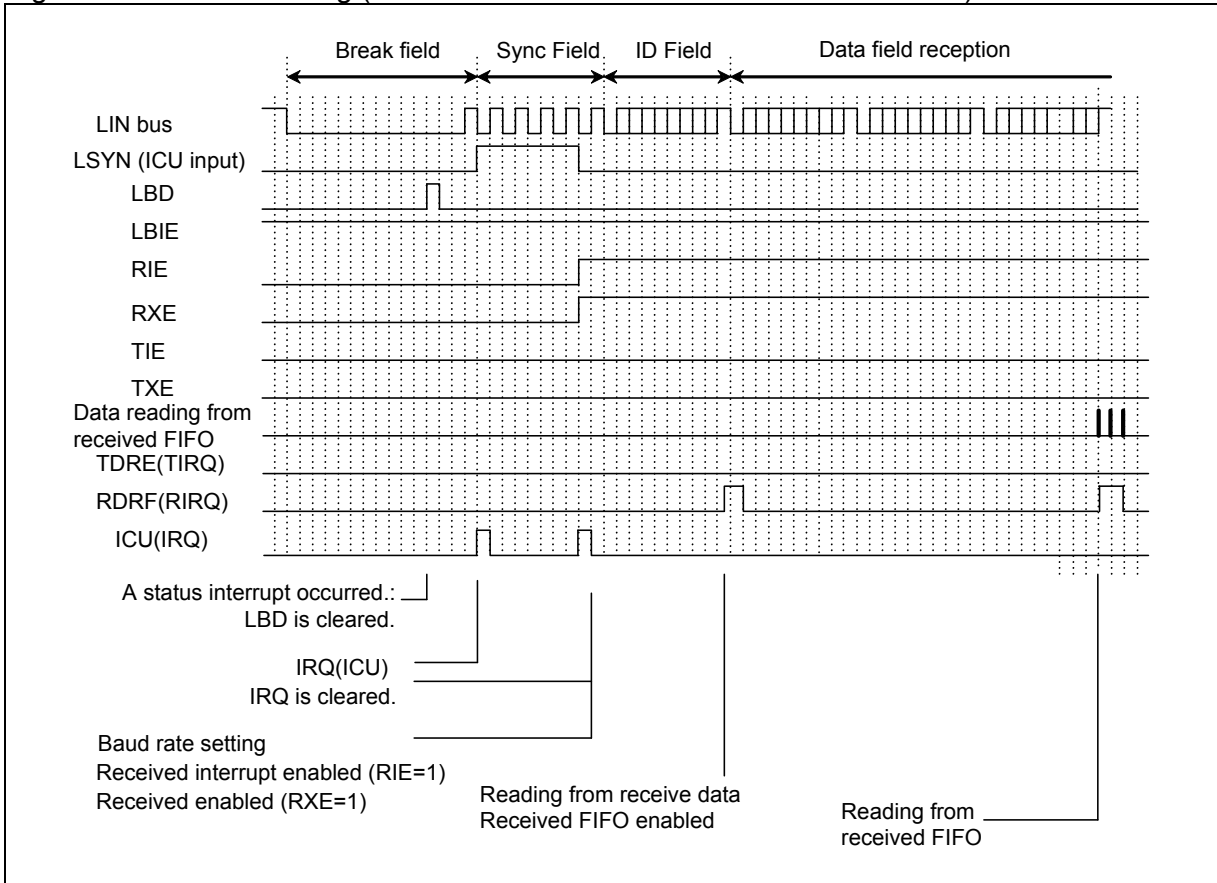


Figure 4-14 LIN bus timing (when DATA field is received and FIFO is used)



5. Operation Mode 3 (LIN Communication Mode) Setting Procedure and Program Flow

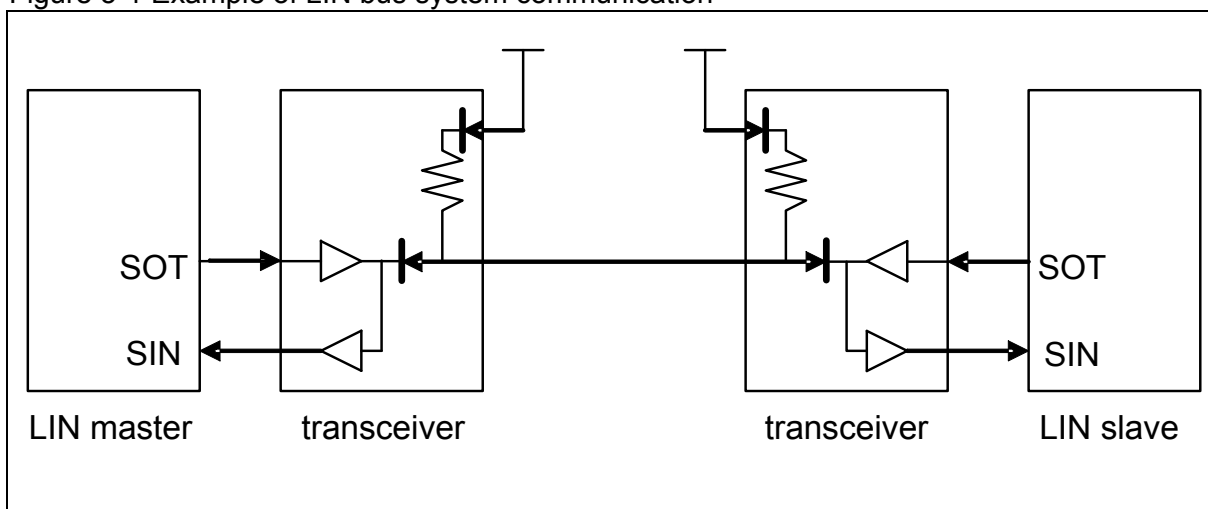
In Operation Mode 3 (LIN communication mode), the LIN interface (Ver. 2.1) can be used for a LIN master or LIN slave system.

■ Register settings

● CPU-to-CPU connection

Figure 5-1 shows a communication system consisting of one LIN master and one LIN slave. The LIN interface (ver. 2.1) can work as a LIN master or a LIN slave.

Figure 5-1 Example of LIN bus system communication



■ Example flowchart

● Master mode operations

Figure 5-2 Example flowchart of LIN communication in master mode (when FIFO is not used)

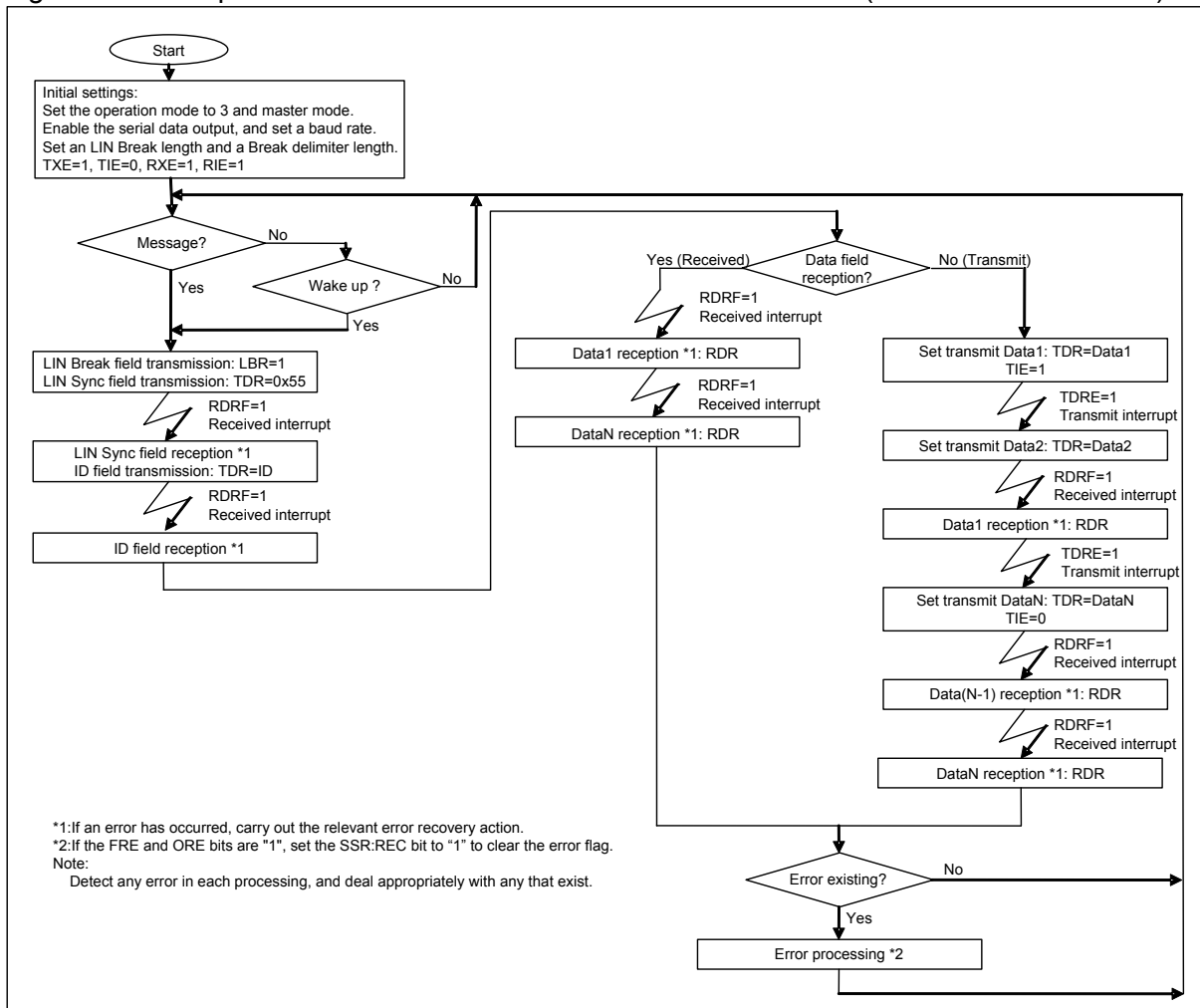
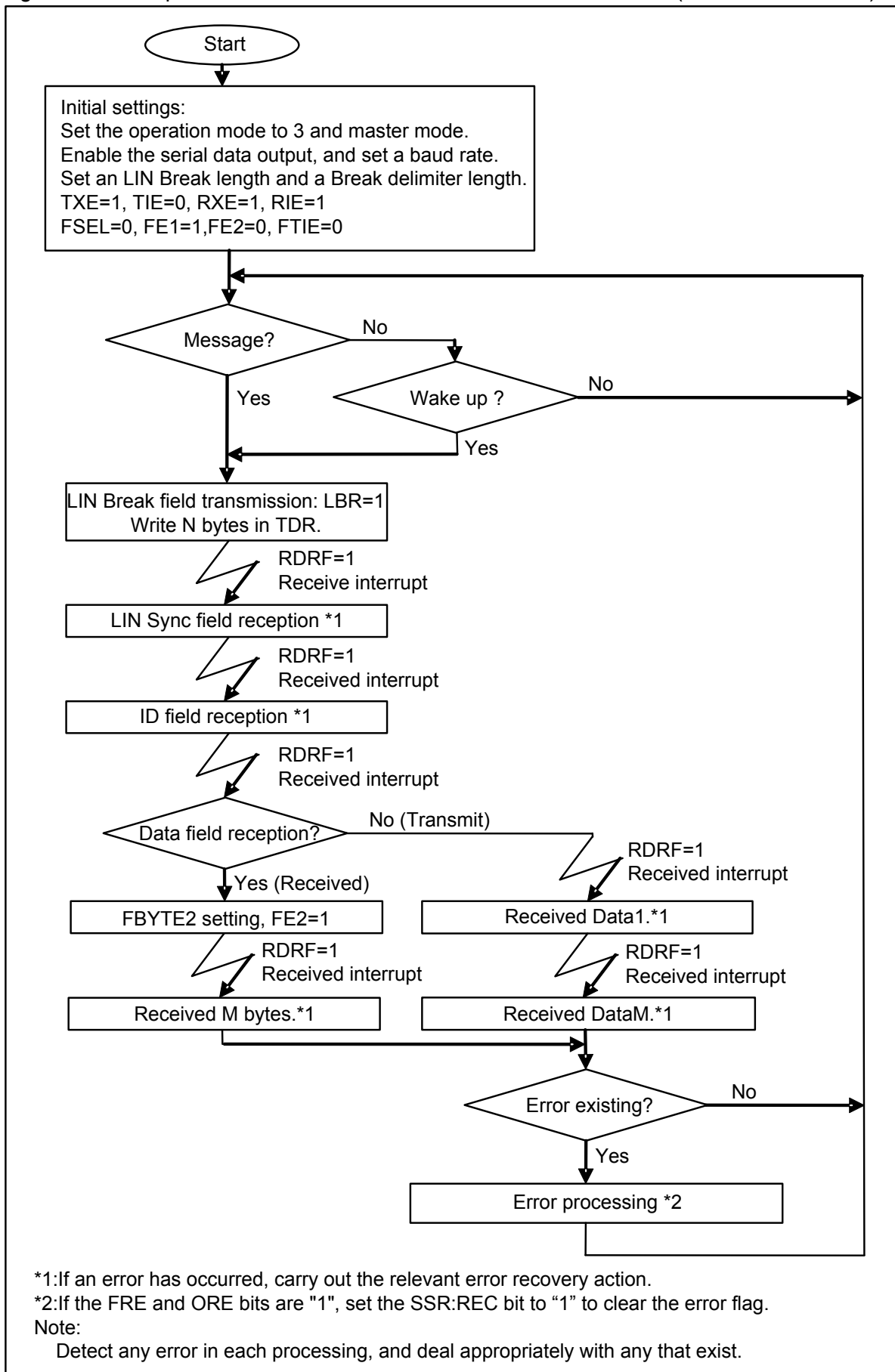


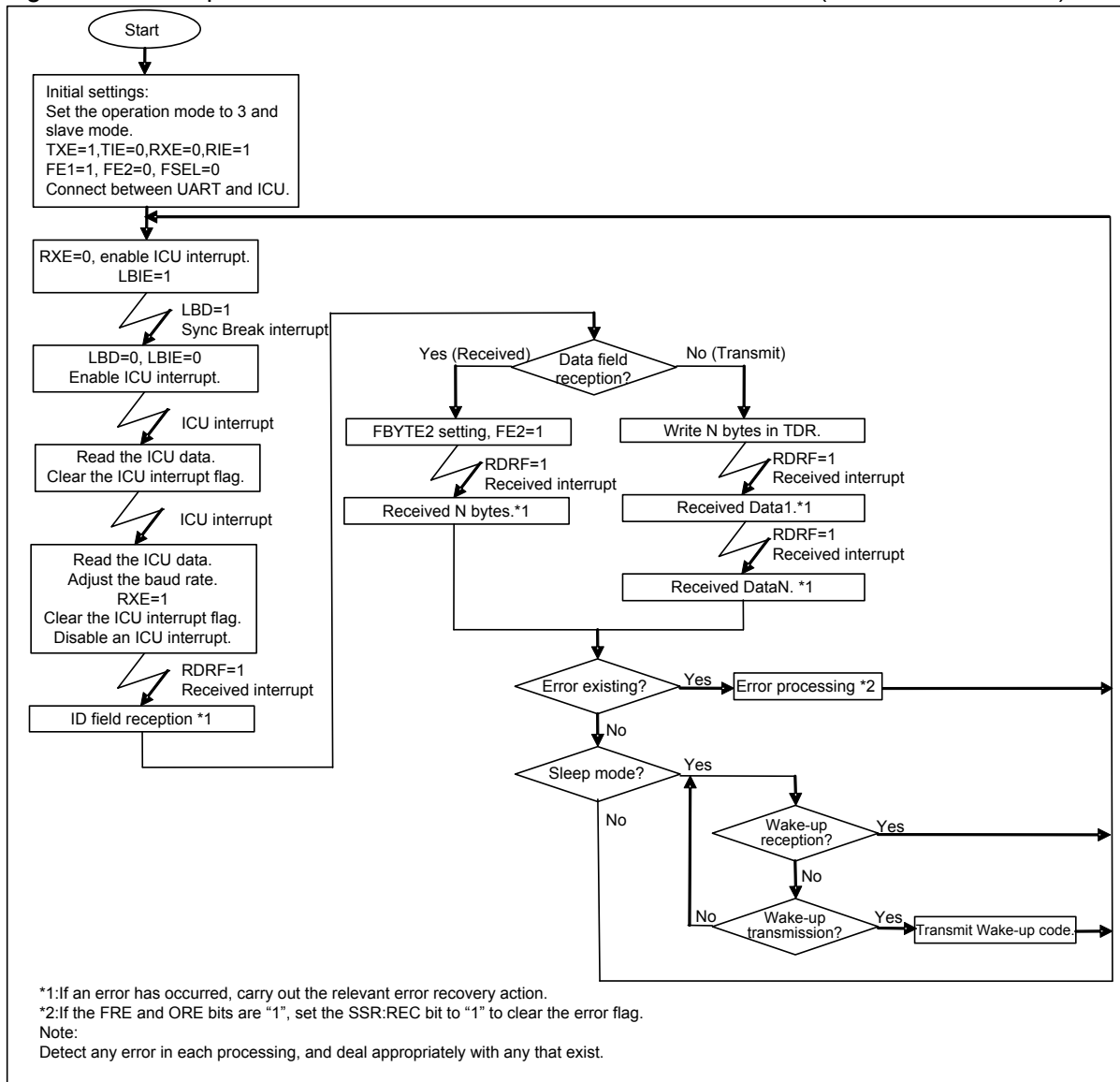
Figure 5-3 Example flowchart of LIN communication in master mode (when FIFO is used)



- **Slave mode operations**

Figure 5-4 Example flowchart of LIN communication in slave mode (when FIFO is not used)

Figure 5-5 Example flowchart of LIN communication in slave mode (when FIFO is used)



6. LIN Interface (ver. 2.1) Registers

The following shows a list of LIN interface (ver. 2.1) registers.

■ List of LIN interface (ver. 2.1) registers

Table 6-1 List of LIN interface (ver. 2.1) registers

	bit15	bit8	bit7	bit0	
LIN interface (ver. 2.1)	SCR (Serial Control Register)			SMR (Serial Mode Register)	
	SSR (Serial Status Register)			ESCR (Extended Communication Control Register)	
	-			RDR/TDR (Transmit/Received Data Register)	
	BGR1 (Baud Rate Generator Register 1)			BGR0 (Baud Rate Generator Register 0)	
FIFO	FCR1 (FIFO Control Register 1)			FCR0 (FIFO Control Register 0)	
	FBYTE2 (FIFO2 Byte Register)			FBYTE1 (FIFO1 Byte Register)	

Table 6-2 LIN interface (ver. 2.1) bit assignment

	bit15	bit14	bit13	bit12	bit11	bit10	bit9	bit8	bit7	bit6	bit5	bit4	bit3	bit2	bit1	bit0
SCR/SMR	UPCL	MS	LBR	RIE	TIE	TBIE	RXE	TXE	MD2	MD1	MD0	WUCR	SBL	-	-	SOE
SSR/ESCR	REC	-	LBD	FRE	ORE	RDRF	TDRE	TBI	-	ESBL	-	LBIE	LBL1	LBL0	DEL1	DEL0
TDR/RDR	-								D7	D6	D5	D4	D3	D2	D1	D0
BGR1	EXT	B14	B13	B12	B11	B10	B9	B8	B7	B6	B5	B4	B3	B2	B1	B0
FCR1/FCR0	-	-	-	FLSTE	FRIIE	FDRQ	FTIE	FSEL	-	FLST	FLD	FSET	FCL2	FCL1	FE2	FE1
FBYTE2/FBYTE1	FD15	FD14	FD13	FD12	FD11	FD10	FD9	FD8	FD7	FD6	FD5	FD4	FD3	FD2	FD1	FD0

6.1. Serial Control Register (SCR)

The Serial Control Register (SCR) is used to enable/disable a transmit/received interrupt, enable/disable a transmit idle interrupt, and enable/disable data transmission and reception. Also, the SCR can be used to generate a LIN Break field and reset the LIN interface (ver. 2.1).

bit	15	14	13	12	11	10	9	8	7	...	0
Field	UPCL	MS	LBR	RIE	TIE	TBIE	RXE	TXE	(SMR)		
Attribute	R/W	R/W	R/W	R/W	R/W	R/W	R/W	R/W			
Initial value	0	-	-	0	0	0	0	0			

[bit15] UPCL: Programmable clear bit

Initializes the internal state of LIN interface (ver. 2.1).

If set to "1":

- The LIN interface (ver. 2.1) is reset directly (Software reset). However, the current register settings are maintained. The transmit or received state is disconnected immediately.
- The baud rate generator reloads the BGR1/0 register value and restarts operation.
- All of transmit/received interrupt factors (SSR:TDRE, TBI, RDRF, FRE, ORE, LBD) are initialized.

If set to "0":

No effect on the operation.

"0" is always read.

bit	Description	
	At writing	At reading
0	No effect on the operation.	"0" is always read.
1	Programmable clear	

<Notes>

- Disable an interrupt first, and then execute the programmable clear instruction.
- If the FIFO operation is used, disable it (FCR0:FE[2:1]:=00) first and then execute the programmable clear instruction.
- To switch from reception operation to transmit operation continuously, execute the programmable clear instruction after data is received and write transmit data to the Transmit Data Register (TDR).

[bit14] MS: Master/Slave function select bit

Selects the master or slave mode.

bit	Description
0	Master mode
1	Slave mode

[bit13] LBR: LIN Break Field setting bit (valid in master mode only)

If this bit is set to "1", a LIN Break field (having the length set by the ESCR:LBL1/LBL0 bit) is generated. Also, a LIN Break delimiter (set by the ESCR:DEL1/DEL0 bit) is generated.

When written:

When "0" is written: No effect on the operation.

When "1" is written: A LIN Break field is generated.

When read:

"0" is always read.

bit	Description	
	At writing	At reading
0	No effect on the operation.	"0" is always read.
1	A LIN Break field is generated.	

<Notes>

- This bit setting is valid in the master mode operation only (MS=0).
- Do not set this bit to "1" when a LIN Break field is being generated.

[bit12] RIE: Received interrupt enable bit

- This bit enables or disables an output of received interrupt request to the CPU.
- If the RIE bit and the received data flag bit (SSR:RDRF) are "1", or if any of the error flag bits (SSR:FRE, ORE) is "1", a received interrupt request is output.

bit	Description
0	Disables the received interrupt.
1	Enables the received interrupt.

[bit11] TIE: Transmit interrupt enable bit

- This bit enables or disables an output of transmit interrupt request to the CPU.
- If the TIE and SSR:TDRE bits are "1", a transmit interrupt request is output.

bit	Description
0	Disables a transmit interrupt.
1	Enables a transmit interrupt.

[bit10] TBIE: Transmit bus idle interrupt enable bit

- This bit enables or disables an output of transmit bus idle interrupt request to the CPU.
- If the TBIE bit and SSR:TBI bit are "1", a transmit bus idle interrupt request is output.

bit	Description
0	Disables the transmit bus idle interrupt.
1	Enables the transmit bus idle interrupt.

[bit9] RXE: Data reception enable bit

This bit enables or disables a data reception by the LIN interface (ver. 2.1).

bit	Description
0	Disables data frame reception.
1	Enables data frame reception.

<Notes>

- Data reception is not started unless a falling edge of the start bit is input even if the data reception is enabled (RXE=1).
- When a LIN Break field is being sent in the master mode operation, no data is received even if data reception is enabled (RXE=1).
- If data reception is disabled (RXE=0), the current data reception is stopped immediately.

[bit8] TXE: Data transmission enable bit

This bit enables or disables a data transmission by the LIN interface (ver. 2.1).

bit	Description
0	Disables data frame transmission.
1	Enables data frame transmission.

<Note>

If data transmission is disabled (TXE=0), the current data transmission is stopped immediately.

6.2. Serial Mode Register (SMR)

The Serial Mode Register (SMR) is used to set an operation mode, to select a transmission direction, data length, and stop bit length, and enable or disable an output of serial data to their pins.

bit	15	...	8	7	6	5	4	3	2	1	0
Field	(SCR)			MD2	MD1	MD0	WUCR	SBL	Reserved		SOE
Attribute				R/W	R/W	R/W	R/W	R/W	-	-	R/W
Initial value				0	0	0	0	0	0	0	0

[bit7:5] MD2, MD1, MD0: Operation mode setting bits

These bits set an operation mode.

*This chapter explains the registers and their operation in operation mode 3 (LIN communication mode).

bit7	bit6	bit5	Description
0	0	0	Operation mode 0 (asynchronous normal mode)
0	0	1	Operation mode 1 (asynchronous multiprocessor mode)
0	1	0	Operation mode 2 (clock synchronous mode)
0	1	1	Operation mode 3 (LIN communication mode)
1	0	0	Operation mode 4 (I ² C mode)
Values other than the above			Setting is prohibited.

<Notes>

- Any bit setting other than above is inhibited.
- To switch the current operation mode, issue a programmable clear instruction (SCR:UPCL=1) and switch the operation mode continuously.
- After the operation mode has been set, set each register correctly.

[bit4] WUCR: Wake-up control bit

Selects a pin to be used for an external interrupt.

If set to "0": The INT pin is set as an external interrupt pin.

If set to "1": The SIN pin is set as an external interrupt pin.

bit	Description
0	Disables the Wake-up function.
1	Enables the Wake-up function.

[bit3] SBL: Stop bit length select bit

This bit sets a stop bit length (the frame end mark of the transmit data).

bit	Description	
0	ESCR:ESBL=0	Stop bit is set to 1 bit
	ESCR:ESBL=1	Stop bit is set to 3 bits
1	ESCR:ESBL=0	Stop bit is set to 2 bits
	ESCR:ESBL=1	Stop bit is set to 4 bits

<Notes>

- In reception operation, only the first bit of the stop bit data is detected.
- Always set this bit when transmission is disabled (SCR:TXE=0).

[bit2:1] Reserved : Reserved bits

The read value is "0". Be sure to write "0".

[bit0] SOE: Serial data output enable bit

This bit enables or disables a serial data output.

bit	Description
0	Disables a serial data output.
1	Enables a serial data output.

<Note>

If this bit is used as the SOT pin, the GPIO must also be set.

6.3. Serial Status Register (SSR)

The Serial Status Register (SSR) is used to check the current transmission/reception state, check the Received Error flag, detect a LIN Break field, and clear the Received Error flag.

bit	15	14	13	12	11	10	9	8	7	...	0
Field	REC	-	LBD	FRE	ORE	RDRF	TDRE	TBI	(ESCR)		
Attribute	R/W	-	R/W	R	R	R	R	R			
Initial value	0	-	0	0	0	0	1	1			

[bit15] REC: Received Error flag clear bit

This bit clears the FRE and ORE flags of the Serial Status Register (SSR).

bit	Description	
	Writing	Reading
0	No effect on the operation.	"0" is always read.
1	Clears the Received Error flag (FRE, ORE).	

[bit14] - : Unused bit

This bit value is undefined when read.

This bit has no effect on the operation when written.

[bit13] LBD: LIN Break field detection flag bit

This bit shows a detection of LIN Break field.

When 11-bit wide or more of serial input (SIN) are "LOW", the LBD bit is set to "1". If the LIN Break field interrupt enable bit (LBIE) is "1" during this time, a status interrupt occurs.

bit	Description	
	At writing	At reading
0	Clears the LBD flag.	A Break field was not detected.
1	No effect on the operation.	A Break field was detected.

<Note>

If a read-modify-write instruction is issued, "1" is read.

[bit12] FRE: Framing error flag bit

- If a framing error occurs during data reception, this bit is set to "1". If the REC bit of Serial Status Register (SSR) is set to "1", this flag is cleared.
- If the FRE and RIE bits are "1", a received interrupt request is output.
- If this flag is set, data of the Received Data Register (RDR) is invalid.
- If this flag is set when received FIFO is used, the received FIFO enable bit is cleared and the received data is not stored in received FIFO.

bit	Description
0	No framing error occurred.
1	A framing error occurred.

[bit11] ORE: Overrun error flag bit

- If an overrun occurs during data reception, this bit is set to "1". If the REC bit of Serial Status Register (SSR) is set to "1", this flag is cleared.
- If the ORE and RIE bits are "1", a received interrupt request is output.
- If this flag is set, data in the Received Data Register (RDR) is invalid.
- If this flag is set when received FIFO is used, the received FIFO enable bit is cleared and the received data is not stored in received FIFO.

bit	Description
0	No overrun error occurred.
1	An overrun error occurred.

[bit10] RDRF: Received data full flag bit

- This flag shows the state of Received Data Register (RDR).
- When the received data is loaded in the RDR, this bit is set to "1". When the Received Data Register (RDR) is read, this bit is cleared to "0".
- If the RDRF and RIE bits are "1", a received interrupt request is output.
- If received FIFO is used, the RDRF bit is set to "1" when the preset amount of data is received in received FIFO.
- If received FIFO is used, this bit is cleared to "0" when received FIFO is emptied.

bit	Description
0	The Received Data Register (RDR) is empty.
1	The Received Data Register (RDR) contains data.

[bit9] TDRE: Transmit data empty flag bit

- This flag shows the state of Transmit Data Register (TDR).
- If the transmit data is written in the TDR, this bit is set to "0" to indicate that the TDR contains valid data. When the data is loaded to the transmit shift register and when the transmission is started, this bit is set to "1" to indicate that the TDR does not contain the valid data.
- If the TDRE and TIE bits are "1", a transmit interrupt request is output.
- When the UPCL bit of Serial Control Register (SCR) is set to "1", the TDRE bit is set to "1".
- For the TDRE bit set/clear timing when transmit FIFO is used, see "2.4 Interrupt and flag set timing when transmit FIFO is used".

bit	Description
0	The Transmit Data Register (TDR) contains data.
1	The Transmit Data Register (TDR) is empty.

[bit8] TBI: Transmit bus idle flag bit

- This bit indicates that the LIN interface (ver. 2.1) is not transmitting data.
- When transmit data is written in the Transmit Data Register (TDR), this bit is set to "0".
- When the LIN Break field is set (SMR:LBR=1), this bit is set to "0".
- If the Transmit Data register (TDR) is empty (TDRE=1) and if no transmission is started, this bit is set to "1".
- If the Transmit Data Register is emptied after the LIN Break field has been transmitted, this bit is set to "1".
- If this bit is "1" and if a transmit bus idle interrupt is enabled (SCR:TBIE=1), a transmit interrupt request is output.

bit	Description
0	Data being transmitted
1	No data transmission

6.4. Extended Communication Control Register (ESCR)

The Extended Communication Control Register (ESCR) is used to enable/disable a LIN Break field interrupt, detect a LIN Break field, set a LIN Break field length and a Break delimiter length, and select a stop bit length.

bit	15	...	8	7	6	5	4	3	2	1	0
Field	(SSR)			Reserved	ESBL	-	LBIE	LBL1	LBL0	DEL1	DEL0
Attribute				-	R/W	-	R/W	R/W	R/W	R/W	R/W
Initial value				0	0	-	0	0	0	0	0

[bit7] Reserved : Reserved bit

The read value is "0". Be sure to write "0".

[bit6] ESBL: Extended stop bit length select bit

This bit sets a stop bit length (the frame end mark of the transmit data).

bit	Description	
0	SMR:SBL=0	Stop bit length is set to 1 bit
	SMR:SBL=1	Stop bit length is set to 2 bits
1	SMR:SBL=0	Stop bit length is set to 3 bits
	SMR:SBL=1	Stop bit length is set to 4 bits

<Notes>

- In reception operation, only the first bit of the stop bit data is detected.
- Always set this bit when transmission is disabled (TXE=0).

[bit5] - : Unused bit

This bit value is undefined when read.

This bit has no effect on the operation when written.

[bit4] LBIE: LIN Break field detect interrupt enable bit

This bit enables or disables a LIN Break field detect interrupt.

If the LIN Break field detect flag (LBD) is "1", a received interrupt occurs when an interrupt is enabled (LBIE=1).

bit	Description
0	Disables a LIN Break field detect interrupt.
1	Enables a LIN Break field detect interrupt.

[bit3:2] LBL1/LBL0: LIN Break field length select bits (valid in master mode only)

- These bits set a LIN Break field generation time (in number of bits).
- This bit must be set before the LBR bit of Serial Control Register (SCR) is set to "1" (for LIN Break field transmission).
- A LIN Break field is always detected at the 11th bit in the slave mode operation regardless of this bit setting.

bit3	bit2	Description
0	0	13 bits length
0	1	14 bits length
1	0	15 bits length
1	1	16 bits length

<Note>

This bit setting is valid in the master mode operation only (SMR:MS="0").

[bit1:0] DEL1/DEL0: LIN Break delimiter length select bits (valid in master mode only)

- These bits set a LIN Break delimiter length (in number of bits).
- These bits must be set before the LBR bit of Serial Control Register (SCR) is set to "1" (for LIN Break field transmission).

bit1	bit0	Description
0	0	1 bit length
0	1	2 bits length
1	0	3 bits length
1	1	4 bits length

<Note>

This bit setting is valid in the master mode operation only (SMR:MS=0).

6.5. Received Data Register/Transmit Data Register (RDR/TDR)

The Received and Transmit Data Registers are allocated at the same address. This register functions as the Received Data Register when data is read from it. This register functions as the Transmit Data Register when data is written in it.

■ Received Data Register (RDR)

bit	15	...	8	7	6	5	4	3	2	1	0
Field	-----			D7	D6	D5	D4	D3	D2	D1	D0
Attribute				R	R	R	R	R	R	R	R
Initial value				0	0	0	0	0	0	0	0

The Received Data Register (RDR) is a data buffer register for serial data reception.

- When serial data signals are sent to the Serial Input pin (SIN), they are converted by a shift register and stored in the Received Data Register (RDR).
- When the received data is stored in the Received Data Register (RDR), the received data full flag bit (SSR:RDRF) is set to "1". If a received interrupt is enabled (SSR:RIE=1), a received interrupt request is generated.
- The Received Data Register (RDR) must be read only when the received data full flag bit (SCR:RDRF) is "1". When data is read from the Serial Received Data Register (RDR), the received data full flag bit (SSR:RDRF) is cleared to "0" automatically.
- If a received error occurs (when SSR:ORE or FRE is "1"), data in the Received Data Register (RDR) becomes invalid.

<Notes>

- If received FIFO is used and if the preset amount of data is received in received FIFO, the RDRF bit is set to "1".
- If received FIFO is used and if this buffer is emptied, the RDRF bit is cleared to "0".
- If a received error occurs when received FIFO is used (SSR:ORE or FRE is "1"), the received FIFO enable bit is cleared and the received data is not stored in received FIFO.

■ **Transmit Data Register (TDR)**

bit	15	...	8	7	6	5	4	3	2	1	0
Field				D7	D6	D5	D4	D3	D2	D1	D0
Attribute				W	W	W	W	W	W	W	W
Initial value				1	1	1	1	1	1	1	1

The Transmit Data Register (TDR) is a data buffer register for serial data transmission.

- If data transmission is enabled (SCR:TXE=1) and if the transmit data is written in the Transmit Data Register (TDR), the transmit data is transferred to the transmit shift register. Then, the data is converted into serial data, and output at the serial data output pin (SOT).
- When the transmit data is written in the Transmit Data Register (TDR), the transmit data empty flag (SSR:TDRE) is cleared to "0".
- When the transmit data is transferred to the serial transmit shift register and data transmission is started, and if transmit FIFO is disabled or if transmit FIFO is empty, the transmit data empty flag (SSR:TDRE) is set to "1".
- If the transmit data empty flag (SSR:TDRE) is "1", the next transmit data can be written in the buffer. If a transmit interrupt is enabled, a transmit interrupt occurs. The next transmit data must be written only after the transmit interrupt has occurred or when the transmit data empty flag (SSR:TDRE) is "1".
- If the transmit data empty flag (SSR:TDRE) is "0" and transmit FIFO is disabled or transmit FIFO is full, no transmit data can be written in the Transmit Data Register (TDR).

<Notes>

- The Transmit Data Register is a write-only register. While the Received Data Register is a read-only register. As these two registers are allocated at the same address, the write and read values differ from each other. Therefore, the INC/DEC instruction and other read-modify-write (RMW) operation cannot be used.
- For the transmit data empty flag (SSR:TDRE) set timing when transmit FIFO is used, see "2.4 Interrupt and flag set timing when transmit FIFO is used".

6.6. Baud Rate Generator Registers 1 and 0 (BGR1 and BGR0)

Baud Rate Generator Registers 1 and 0 (BGR1 and BGR0) are used to set a frequency division ratio of serial clocks. Also, an external clock can be selected as the clock source of the reload counter.

bit	15	14	13	12	11	10	9	8	7	6	5	4	3	2	1	0
Field	EXT	(BGR1)							(BGR0)							
Attribute	R/W	R/W	R/W	R/W	R/W	R/W	R/W	R/W	R/W	R/W	R/W	R/W	R/W	R/W	R/W	R/W
Initial value	0	0	0	0	0	0	0	0	0	0	0	0	0	0	0	0

- The Baud Rate Generator Registers are used to set a frequency division ratio of serial clocks.
- The BGR1 register corresponds to the high-order bits, and the BGR0 register corresponds to the low-order bits. The reload value to be counted can be written, and the BGR1/BGR0 set value can be read.
- When the reload value is written in Baud Rate Generator Registers 1 and 0 (BGR1 and BGR0), the reload counter starts its counting.
- The EXT bit (bit15) specifies to use the clock source of reload counter as the internal clock or the external clock. If EXT=0 is set, an internal clock is used. If EXT=1 is set, an external clock is used.

[bit15] EXT: External clock select bit

bit	Description
0	Uses the internal clock.
1	Uses an external clock.

[bit14:8] BGR1: Baud Rate Generator Register 1

bit14:8	Description
Write	Writes data in bit8 to bit14 of reload counter.
Read	Reads the BGR1 set value.

[bit7:0] BGR0: Baud Rate Generator Register 0

bit7:0	Description
Write	Writes data in bit0 to bit7 of reload counter.
Read	Reads the BGR0 set value.

<Notes>

- Data must be written in the Baud Rate Generator Register1, 0 (BGR1 and BGR0) in 16-bit data access mode.
 - If the current values of Baud Rate Generator Register1, 0 (BGR1, BGR0) are changed, the new values are reloaded only after the counter value has reached "15h00". In order to validate the new set values immediately, change the BGR1/BGR0 set values and execute the programmable clear (UPCL).
 - If the reload value is even, the "LOW" signal width of serial clock is longer than the "HIGH" signal width for a single cycle of bus clock. If the value is odd, the serial clock has the same "HIGH" and "LOW" signal width.
 - Set the reload value to 3 or more. Note that data may not be received normally due to the baud rate error and reload value setting.
 - When the baud rate generator is operating and if you need to switch to the external clock (EXT=1), first set the baud rate generators 1 and 0 (BGR1 and BGR0) to "0". Then, execute the programmable clear instruction (UPCL) and select the external clock (EXT=1).
-

6.7. FIFO Control Register 1 (FCR1)

The FIFO Control Register (FCR1) is used to set the FIFO test, select transmit or received FIFO, enable transmit FIFO interrupt, and control the interrupt flag.

bit	15	14	13	12	11	10	9	8	7	...	0
Field	Reserved			FLSTE	FRIIE	FDRQ	FTIE	FSEL	(FCR0)		
Attribute	-			R/W	R/W	R/W	R/W	R/W			
Initial value	-			0	0	1	0	0			

[bit15:13] Reserved : Reserved bits

The read value is "0". Be sure to write "0".

[bit12] FLSTE: Re-transmit data lost detect enable bit

This bit enables the FLST bit detection.

bit	Description
0	Disables the Data Lost detection.
1	Enables the Data Lost detection.

<Note>

To set this bit to "1", set the FSET bit to "1" first, and then set this bit to "1".

[bit11] FRIIE: Received FIFO idle detect enable bit

This bit sets to detect the received idle state if received FIFO contains valid data for more than 8-bit hours. If the received interrupt is enabled (SCR:RIE=1), a received interrupt is generated when the received idle state is detected.

bit	Description
0	Disables the received FIFO idle detection.
1	Enables the received FIFO idle detection.

<Note>

In case of using Received FIFO, set this bit to "1".

[bit10] FDRQ: Transmit FIFO data request bit

This bit requests for the transmit FIFO data.

If this bit is "1", the transmit data is being requested. If the Transmit Interrupt is enabled (FTIE=1) during this time, a transmit FIFO interrupt request is output.

The FDRQ bit is set when:

- The FBYTE (for transmission) is "0" (Transmit FIFO is empty).
- Transmit FIFO is reset.

The FDRQ bit is cleared when:

- This bit is set to "0".
- Transmit FIFO is filled with data.

bit	Description
0	Does not request for the transmit FIFO data.
1	Requests for the transmit FIFO data.

<Notes>

- If the FBYTE (for transmission) is "0", this bit cannot be set to "0".
- If this bit is "0", the FSEL bit state cannot be changed.
- If this bit is set to "1", it has no effect on the operation.
- If a read-modify-write instruction is issued, "1" is read.

[bit9] FTIE: Transmit FIFO interrupt enable bit

This bit enables a transmit FIFO interrupt. If this bit is set to "1", an interrupt occurs when the FDRQ bit is set to "1".

bit	Description
0	Disables the transmit FIFO interrupt.
1	Enables the transmit FIFO interrupt.

[bit8] FSEL: FIFO select bit

This bit selects the transmit or received FIFO.

bit	Description
0	Transmit FIFO:FIFO1; Received FIFO:FIFO2
1	Transmit FIFO:FIFO2; Received FIFO:FIFO1

<Notes>

- This bit is not cleared by FIFO reset (FCR0:FCL[2:1]=11).
- To change this bit state, first disable the FIFO operation (FCR0:FE[2:1]=00).

6.8. FIFO Control Register 0 (FCR0)

FIFO Control Register 0 (FCR0) is used to enable/disable the FIFO operation, reset FIFO, save the read pointer, and set the data re-transmission.

bit	15	...	8	7	6	5	4	3	2	1	0
Field	(FCR1)			-	FLST	FLD	FSET	FCL2	FCL1	FE2	FE1
Attribute				-	R	R/W	W	R/W	R/W	R/W	R/W
Initial value				-	0	0	0	0	0	0	0

[bit7] - : Unused bit

This bit value is undefined when read.

This bit has no effect on the operation when written.

[bit6] FLST: FIFO re-transmit data lost flag bit

This bit shows that the re-transmit data of transmit FIFO has been lost.

The FLST bit is set when:

- The FLSTE bit of FIFO Control Register 1 (FCR1) is "1", the write pointer of transmit FIFO matches the read pointer which has been saved by the FSET bit, and data is written in FIFO.

The FLST bit is cleared when:

- FIFO is reset (FCL bit is set to "1").
- The FSET bit is set to "1".

If this bit is set to "1", the data identified by the read pointer (saved by the FSET bit) is overwritten.

Therefore, the FLD bit cannot set the data re-transmission even if an error has occurred. If this bit is set to "1" and if you wish to re-transmit data, first reset FIFO. Then, write data in FIFO again.

bit	Description
0	No Data Lost has occurred.
1	Data Lost has occurred.

[bit5] FLD: FIFO pointer reload bit

This bit reloads the data, being saved in transmit FIFO by the FSET bit, to the reload pointer. This bit can be used to re-transmit data after a communication error or others have occurred.

When the re-transmission setting has finished, this bit is set to "0".

bit	Description
0	Not reloaded
1	Reloaded

<Notes>

- If this bit is "1", data is being reloaded in the read pointer. Therefore, data writing except for FIFO reset is disabled.
- When FIFO is enabled or when data is being transmitted, this bit cannot be set to "1".
- After you have set the TIE and TBIE bits to "0", set this bit to "1". After you have enabled transmit FIFO, set the TIE and TBIE bits to "1".

[bit4] FSET: FIFO pointer save bit

This bit saves the transmit FIFO read pointer.

If the read pointer is saved before transmission and if the FLST bit is "0", data can be re-transmitted even when a communication error or others occur.

bit	Description
0	Not saved
1	Saved

<Note>

This bit can be set to "1" only when the transmit byte count (FBYTE) is "0".

[bit3] FCL2: FIFO2 reset bit

This bit resets the FIFO2 value.

If this bit is set to "1", the FIFO2 internal state is initialized.

Only the FCR1:FLST2 bit is initialized, but the other bits of FCR1/FCR0 registers are kept.

bit	Description	
	Writing	Reading
0	No effect on the operation.	"0" is always read.
1	FIFO2 is reset.	

<Notes>

- Disable the transmission and reception first, and then reset FIFO2.
- Set the transmit FIFO interrupt enable bit to "0" before the execution.
- The valid data count of the FBYTE2 register is set to "0".

[bit2] FCL1: FIFO1 reset bit

This bit resets the FIFO1 value.

If this bit is set to "1", the FIFO1 internal state is initialized.

Only the FCR1:FLST1 bit is initialized, but the other bits of FCR1/FCR0 registers are kept.

bit	Description	
	Writing	Reading
0	No effect on the operation.	"0" is always read.
1	FIFO1 is reset.	

<Notes>

- Disable the transmission and reception first, and then reset FIFO1.
- Set the transmit FIFO interrupt enable bit to "0" before the execution.
- The valid data count of the FBYTE1 register is set to "0".

[bit1] FE2: FIFO2 operation enable bit

This bit enables or disables the FIFO2 operation.

- To use the FIFO2 operation, set this bit to "1".
- If FIFO2 is set as transmit FIFO and if data exists in FIFO2 when this bit is set to "1", the data transmission starts immediately when the LIN interface (ver. 2.1) is enabled to transmit data (TXE=1). During this time, set both TIE and TBIE bits to "0". Then, set this bit to "1" and set both TIE and TBIE bits to "1".
- If received FIFO is selected by the FSEL bit and if a received error has occurred, this bit is cleared to "0". This bit cannot be set to "1" until the received error is cleared.
- If FIFO2 is used as transmit FIFO, this bit must be set to "1" or "0" when the transmit buffer is empty (TDRE=1).
- If FIFO2 is used as received FIFO, this bit must be set to "0" when the received buffer is empty (SSR:RDRF=0) and no valid data exists in received FIFO (FBYTE2=0x00) after reception is disabled (SCR:RXE=0).
- If FIFO2 is used as received FIFO, this bit must be set to "1" when the received buffer is empty (SSR:RDRF=0) after reception is disabled (SCR:RXE=0).
- The FIFO2 state is held even if the FIFO2 operation is disabled.

bit	Description
0	Disables the FIFO2 operation.
1	Enables the FIFO2 operation.

[bit0] FE1: FIFO1 operation enable bit

This bit enables or disables the FIFO1 operation.

- To use the FIFO1 operation, set this bit to "1".
- If FIFO1 is set as transmit FIFO and if data exists in FIFO1 when this bit is set to "1", the data transmission starts immediately when the LIN interface (ver. 2.1) is enabled to transmit data (TXE=1). During this time, set both TIE and TBIE bits to "0". Then, set this bit to "1" and set both TIE and TBIE bits to "1".
- If received FIFO is selected by the FSEL bit and if a received error has occurred, this bit is cleared to "0". This bit cannot be set to "1" until the received error is cleared.
- If FIFO1 is used as transmit FIFO, this bit must be set to "1" or "0" when the transmit buffer is empty (TDRE=1).
- If FIFO1 is used as received FIFO, this bit must be set to "0" when the received buffer is empty (SSR:RDRF=0) and no valid data exists in received FIFO (FBYTE2=0x00) after reception is disabled (SCR:RXE=0).
- If FIFO1 is used as received FIFO, this bit must be set to "1" when the received buffer is empty (SSR:RDRF=0) after reception is disabled (SCR:RXE=0).
- The FIFO1 state is held even if the FIFO1 operation is disabled.

bit	Description
0	Disables the FIFO1 operation.
1	Enables the FIFO1 operation.

6.9. FIFO Byte Register (FBYTE)

The FIFO Byte Register (FBYTE) indicates the effective data count in the FIFO buffer. Also, this register can be used to generate a received interrupt when a certain number of data sets is received in the received FIFO.

bit	15	14	13	12	11	10	9	8	7	6	5	4	3	2	1	0
Field	(FBYTE2)								(FBYTE1)							
Attribute	R/W	R/W	R/W	R/W	R/W	R/W	R/W	R/W	R/W	R/W	R/W	R/W	R/W	R/W	R/W	R/W
Initial value	0	0	0	0	0	0	0	0	0	0	0	0	0	0	0	0

The FBYTE register indicates the effective data count of FIFO. The following shows the settings of the FCR1:FSEL bit.

Table 6-3 Display of data count

FCR1:FSEL	FIFO selection	Data count display
0	FIFO2:Received FIFO, FIFO1:Transmit FIFO	FIFO2:FBYTE2, FIFO1:FBYTE1
1	FIFO2:Transmit FIFO, FIFO1:Received FIFO	FIFO2:FBYTE2, FIFO1:FBYTE1

- The initial value of data transfer count is "0x08" for the FBYTE register.
- Set a data count to the FBYTE register of received FIFO to generate a received interrupt flag. If this transfer data count matches the FBYTE register display, the received data full flag bit (RDRF) is set to "1".
- If the following two conditions are satisfied and if the received idle state continues for more than 8 baud rate clocks, the received data full flag (SSR:RDRF) is set to "1".
 - The received FIFO idle detect enable bit (FRIIE) is "1".
 - The number of data sets stored in the received FIFO does not reach the transfer count.

If the RDR data is read during counting of 8 clocks, this counter is reset to "0", and counting for 8 clocks is restarted. If received FIFO is disabled, this counter is reset to "0". If data remains in received FIFO and if received FIFO is enabled, the data counting is restarted.

[bit15:8] FBYTE2: FIFO2 data count display bits

[bit7:0] FBYTE1: FIFO1 data count display bits

Writing	Sets the transfer data count.
Reading	Reads the effective count of data.

Read (Effective data count)

During transmission: The number of data sets already written in FIFO but not transmitted yet
 During reception: The number of data sets received in FIFO

Write (Transfer data count)

During transmission: Set "0x00".
 During reception: Set the data count to generate a received interrupt.

Table 6-4 Data Count to be Saved in FIFO

FIFO Capacity	Max. FBYTE Count	Max. Data Count to be Saved in FIFO
16 BYTEs	16	16
32 BYTEs	32	32
64 BYTEs	64	64
128 BYTEs	128	128

<Notes>

- Set "0x00" in the FBYTE register of transmit FIFO.
- Set data equal to or greater than "1" in the FBYTE register of received FIFO.
- This state can be changed only after the data transmission or reception has been disabled.
- A read-modify-write instruction cannot be used for this register.
- Any setting exceeding the FIFO capacity is prohibited.
- After setting FIFO select bit (FCR1:FSEL), set FIFO byte register (FBYTE).
- FIFO select bit (FCR1:FSEL) and FIFO byte register (FBYTE) cannot be set at the same time.
- In the FIFO data count display at transmit, the data count which is made by subtracting "1" from transmit data written count is displayed. This is because data transmitted is written to be saved in transmit FIFO when the data not transmitted to TDR register exists. When data in TDR register is transmitted, the data not transmitted in transmit FIFO is transferred to TDR register.
- In the FIFO data count display at reception, the count of data which is received but not read is displayed. The data under receiving at TDR register is no included.

CHAPTER: I²C Interface (I²C Communications Control Interface)

This chapter explains the I²C function supported in operation mode 4 of the multifunction serial interface.

1. Overview of I²C Interface (I²C Communications Control Interface)
2. I²C Interface interrupt
3. Dedicated Baud Rate Generator
4. I²C communication operation flowchart examples
5. I²C Interface Registers

CODE: 9BF12C_FM4-E01.0_FM15I-J05.4

1. Overview of I²C Interface (I²C Communications Control Interface)

The I²C interface (I²C communications control interface) supports the I²C bus and operates as a master/slave device on the I²C bus. It also has transmit/received FIFO (up to 128 bytes each) ^{*1}installed.

■ Functions of I²C interface (I²C communications control interface)

		Function
1	Data buffer	<ul style="list-style-type: none"> · Full duplex double buffer (when FIFO is not used) · Transmit/received FIFO (max 128 bytes each) * (when FIFO is used)
2	Serial input	Removes noise from 2 clocks to 32 clocks in the bus clock for serial clock/serial data input.
3	Transfer mode	Synchronous
4	Baud rate	<ul style="list-style-type: none"> · A dedicated baud rate generator (constructed with a 15-bit reload counter) · The external clock can be adjusted with the reload counter. · Supports Standard-mode/Fast-mode/ Fast-mode Plus ^{*2}
5	Data length	8 bits
6	Signaling system	NRZ (Non Return to Zero)
7	Interrupt request	<ul style="list-style-type: none"> · Received interrupt · Transmit interrupt · Request of status interrupt/interrupt to ICU · Transmit FIFO interrupt (when transmit FIFO is empty) · DMA(Transmit/Received) transferring support function is available.
8	I ² C	<ul style="list-style-type: none"> · Master/slave transmission and reception functions · Arbitration function · Clock synchronization function · Transmission direction detection function · Function to generate and detect iteration start condition · Bus error detection function · General call addressing function · 7-bit addressing as master/slave · Generation of interrupt enabled during transmission or a bus error · The 10-bit addressing function can be programmatically enabled.
9	FIFO	<ul style="list-style-type: none"> · Transmit/received FIFO installed (maximum capacity: 128bytes for transmit FIFO, 128 bytes for received FIFO) ^{*1} · Transmit FIFO or received FIFO can be selected. · Transmit data can be resent. · Received FIFO interrupt timing can be changed via software. · FIFO resetting is supported independently.

*1 : The FIFO capacity size varies depending on the product type.

*2 : For Fast-mode Plus operation, the dedicated I/O settings are required. For details, see Chapter I/O Port.

2. I²C Interface interrupt

I²C interface interrupt request is generated due to the following factors.

- After transmission/reception of the first byte and after data transmission/reception is completed
- Stop condition
- Iteration start condition
- FIFO transmit data request
- FIFO received data completed

■ I²C Interface Interrupt

Table 2-1 shows the interrupt control bits and interrupt factors for the I²C interface.

Table 2-1 Interrupt control bits and interrupt factors for the I²C interface

Interrupt type	Interrupt request flag bit	Flag register	Interrupt factor	Interrupt factor enable bit	Operation to clear interrupt request flag
Status	INT	IBCR	The first byte has been transmitted/received* ¹ (except for master operation when SSR:DMA=1)	IBCR:INTE	Setting the interrupt flag bit (IBCR:INT) to "0"
			Data has been transmitted/received* ¹ (When SSR:DMA=0)		
			Bus Error detection (EIBCR:BCE=0)		
			Detection of a bus error		
			Detection of arbitration lost		
Detection of reserved address					
Reception of NACK					
Received FIFO being full during reception as a slave (When SSR:DMA=0)	Setting IBCR:INT to "0" after reading received data until received FIFO is emptied				
SPC	IBSR	Stop condition	IBCR:CNDE	Setting SPC to "0"	
RSC		Detection of iteration start		Setting RSC to "0"	
Reception	RDRF	SSR	Reception of reserved address	SMR:RIE	Reading from the received data register (RDR)
			Completion of data reception		Reading from the Received Data Register (RDR) until received FIFO is emptied
			Reception of a data volume matching the value set for FBYTE.		
	Detection of reception idling when FRIIE=1				
ORE	SSR	Overrun error	Setting the reception error flag bit (SSR:REC) to "1"		

Interrupt type	Interrupt request flag bit	Flag register	Interrupt factor	Interrupt factor enable bit	Operation to clear interrupt request flag
Transmission	TDRE	SSR	The Transmit Data Register is empty.	SMR:TIE	Writing to the Transmit Data Register (TDR) or setting the transmit FIFO operation enable bit to "1" when the transmit FIFO operation enable bit is set to "0" and valid data are present in transmit FIFO (re-transmitting data) *2
			Setting the transmit buffer empty flag set bit (SSR:TSET) to "1"		
	FDRQ	FCR1	Transmit FIFO is empty.	FCR1:FTIE	The FIFO transmit data request bit is set to "0" or transmit FIFO is full.
	TBI (SSR:DMA=1)	SSR	No transmission operation	SCR:TBIE	Writing to the Transmit Data Register (TDR) or setting the transmit FIFO operation enable bit to "1" when the transmit FIFO operation enable bit is set to "0" and valid data are present in transmit FIFO (re-transmitting data) *3
Setting the transmit buffer empty flag set bit (SSR:TSET) to "1"					

*1 : If normal data can be transmitted/received and SSR:TDRE is "0", no interrupt is generated. This to support DMA transfers.

To generate the IBCR:INT bit at a time of data transmission/reception, the SSR:TDRE bit needs to be set to "1" before the IBCR:INT bit is set.

*2 : Be sure to check that the SSR:TDRE bit is set to "0" and then set the SMR:TIE bit to "1".

*3 : Be sure to check that the SSR:TBI bit is set to "0" and then set the SSR:TBIE bit to "1".

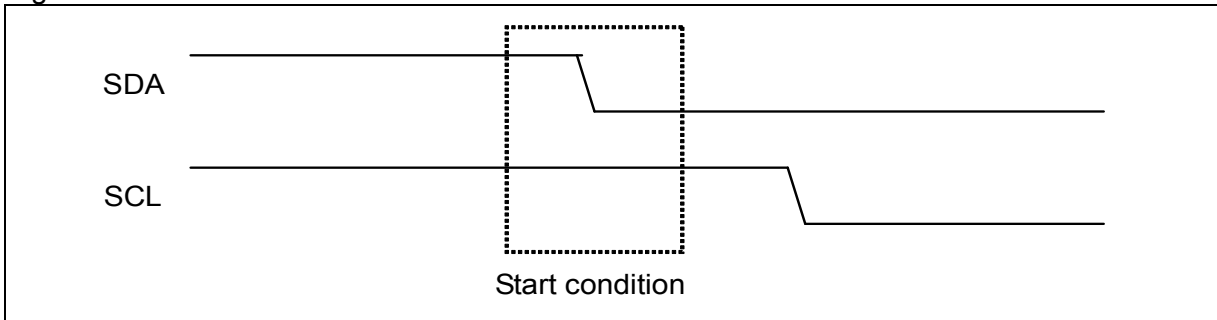
2.1. I²C interface operation

The I²C interface performs communications using two two-way bus lines, a serial data line (SDA) and a serial clock line (SCL).

■ I²C bus start condition

The following shows the I²C bus start condition.

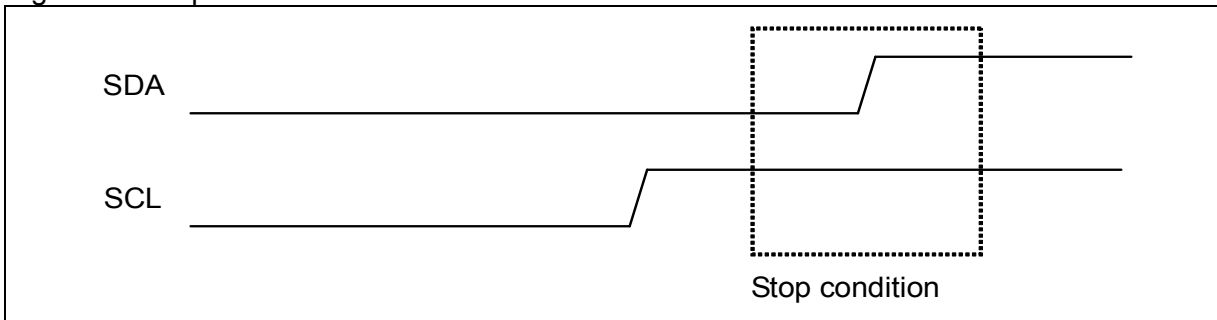
Figure 2-1 Start condition



■ I²C bus stop condition

The following shows the I²C bus stop condition.

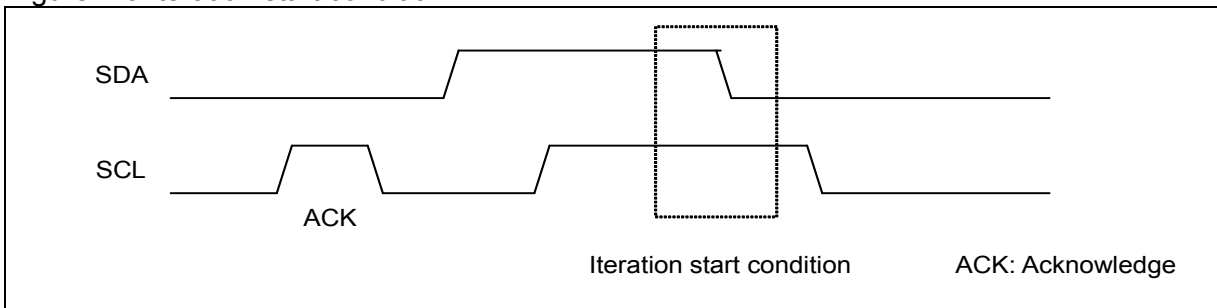
Figure 2-2 Stop condition



■ I²C bus iteration start condition

The following shows the I²C bus iteration start condition.

Figure 2-3 Iteration start condition



2.2. Master mode

Master mode generates the start condition on the I²C bus and outputs clocks to the I²C bus. When the MSS bit in the IBCR register is set to "1" while the I²C bus is in idle state (SCL=HIGH, SDA=HIGH), master mode is activated, causing the ACT bit in the IBCR register to be set to "1".

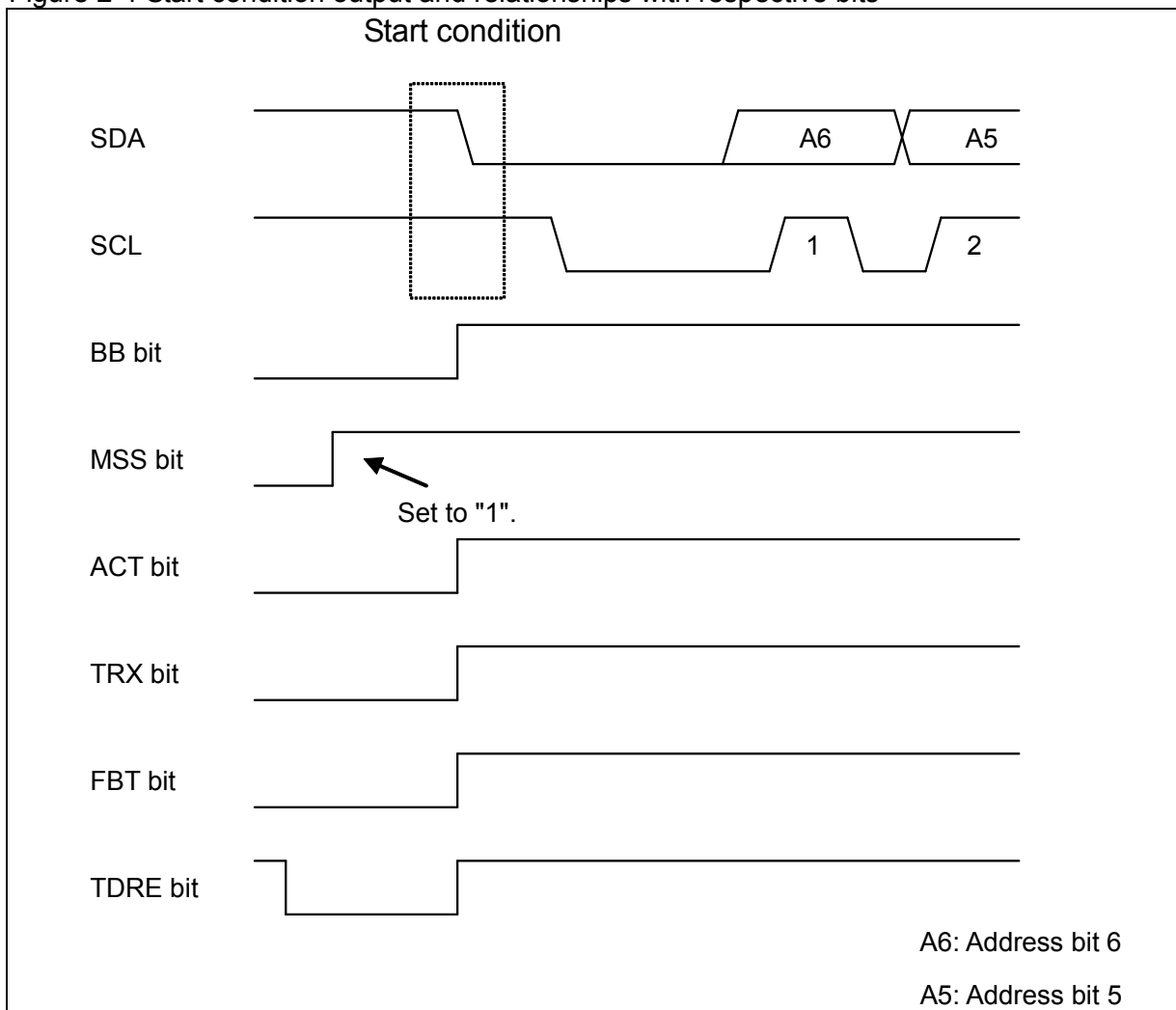
■ Generating start condition

The start condition is generated under the following condition.

- When SDA="H", SCL="H", ISMK:EN=1 and IBSR:BB=0, the IBCR:MSS bit is set to "1".

Outputting the start condition to the I²C bus causes the IBCR:ACT bit to be set to "1". After that, when the start condition is received, the IBSR:BB bit is set to "1" to indicate that the I²C bus is carrying out communications. (See Figure 2-4.)

Figure 2-4 Start condition output and relationships with respective bits



<Note>

In operation mode 4 (I²C mode), the bus clock is used at a frequency no lower than 8 MHz. Also note that setting of a baud rate generator that exceeds 400 kbps is prohibited.

■ Slave address output

Outputting the start condition causes data that are set in the TDR register to be output as the address, starting with bit 7. When FIFO is enabled, the data in the TDR register that is written the earliest is output. bit 0 is used as the data direction bit (R/W). When the data direction bit (R/W) is "0", it indicates that data flow in the write direction (from the master to a slave). Set the address to the TDR register before setting the IBCR:MSS bit to "1" or IBCR:SCC bit to "1".

For the output timing of the address and the data direction, see Figure 2-5, Figure 2-6.

Figure 2-5 Address and data direction (when FIFO is disabled)

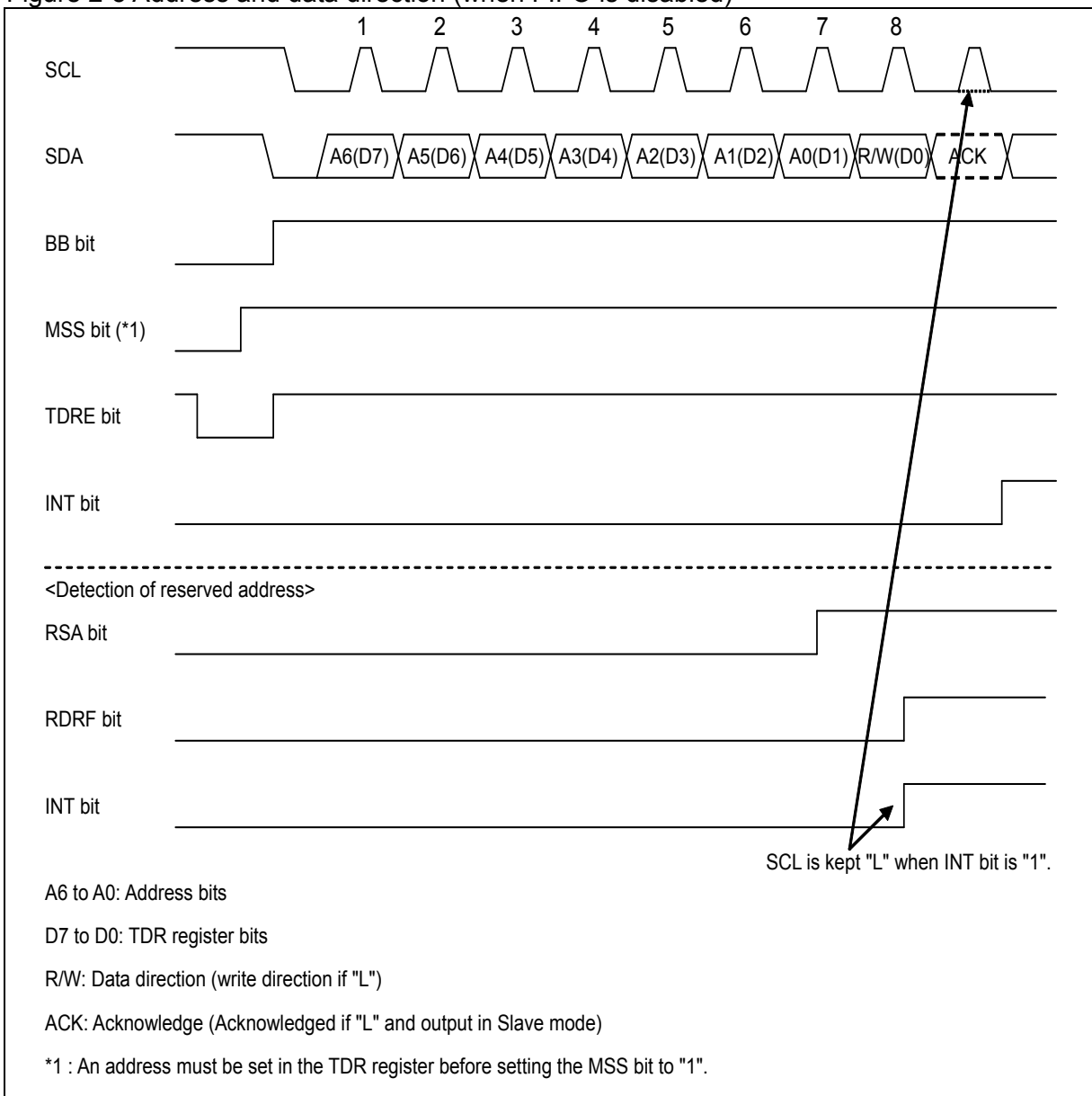
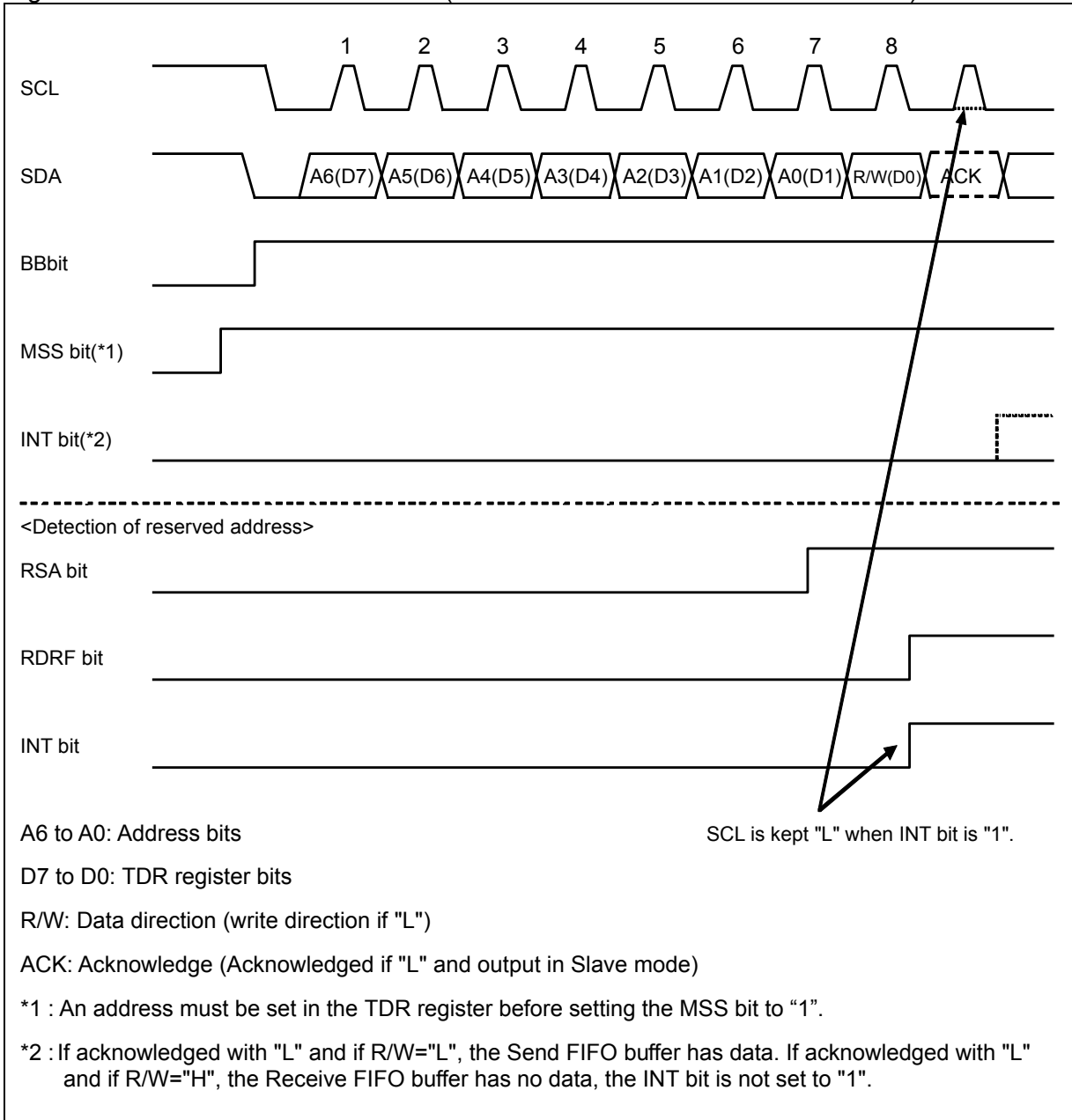


Figure 2-6 Address and data direction (when transmit/received FIFO is enabled)



■ **Acknowledgement reception by first byte transmission**

When the data direction bit (R/W) is output, the I²C interface receives acknowledgement from a slave. The following lists operations to enable/disable FIFO.

Table 2-2 Operations after acknowledgement reception with DMA mode disabled
 (IBSR:RSA="0", SSR:DMA="0")

Transmit FIFO	Received FIFO	Transmit FIFO status	Received FIFO status	Data direction bit (R/W)	Operation immediately after receiving acknowledgement	
					Acknowledgement: ACK	Acknowledgement: NACK
Disable	Disable	-	-	0	If the SSR:TDRE bit is set to "1", the interface sets the IBCR:INT bit to "1" and waits. If the SSR:TDRE bit is set to "0", IBCR:INT bit stays "0" without the wait state.	Sets the IBCR:INT bit to "1" with the wait state.
				1		
Disable	Enable	-	Without data	0	If the SSR:TDRE bit is set to "1", the interface sets the IBCR:INT bit to "1" and waits. If the SSR:TDRE bit is set to "0", IBCR:INT bit stays "0" without the wait state.	Sets the IBCR:INT bit to "1" with the wait state.
			With data		Sets the IBCR:INT bit to "1" with the wait state.	
			-	1	If the SSR:TDRE bit is set to "1", the interface sets the IBCR:INT bit to "1" and waits. If the SSR:TDRE bit is set to "0", IBCR:INT bit stays "0" without the wait state.	
Enable	Disable	-	-	0	If the SSR:TDRE bit is set to "1", the interface sets the IBCR:INT bit to "1" and waits. If the SSR:TDRE bit is set to "0", IBCR:INT bit stays "0" without the wait state.	Sets the IBCR:INT bit to "1" with the wait state.
				1		
Enable	Enable	-	Without data	0	If the SSR:TDRE bit is set to "1", the interface sets the IBCR:INT bit to "1" and waits. If the SSR:TDRE bit is set to "0", IBCR:INT bit stays "0" without the wait state.	Sets the IBCR:INT bit to "1" with the wait state.
			With data		Sets the IBCR:INT bit to "1" with the wait state.	
			-	1	If the SSR:TDRE bit is set to "1", the interface sets the IBCR:INT bit to "1" and waits. If the SSR:TDRE bit is set to "0", IBCR:INT bit stays "0" without the wait state.	

Table 2-3 Operations after acknowledgement reception with DMA mode enabled
(IBSR:RSA="0", SSR:DMA="1")

Transmit FIFO	Received FIFO	Transmit FIFO status	Received FIFO status	Data direction bit (R/W)	Operation immediately after receiving acknowledgement	
					Acknowledgement: ACK	Acknowledgement: NACK
Disable	Disable	-	-	0	If the SSR:TDRE bit is set to "1", the interface sets the SSR:TBI bit to "1" and waits. If the SSR:TDRE bit is set to "0", SSR:TBI bit stays "0" without the wait state.	Sets the IBCR:INT bit to "1" with the wait state.
				1		
Disable	Enable	-	Without data	0	If the SSR:TDRE bit is set to "1", the interface sets the SSR:TBI bit to "1" and waits. If the SSR:TDRE bit is set to "0", SSR:TBI bit stays "0" without the wait state.	Sets the IBCR:INT bit to "1" with the wait state.
			With data			
			-	1	If the SSR:TDRE bit is set to "1", the interface sets the SSR:TBI bit to "1" and waits. If the SSR:TDRE bit is set to "0", SSR:TBI bit stays "0" without the wait state.	
Enable	Disable	-	-	0	If the SSR:TDRE bit is set to "1", the interface sets the SSR:TBI bit to "1" and waits. If the SSR:TDRE bit is set to "0", SSR:TBI bit stays "0" without the wait state.	Sets the IBCR:INT bit to "1" with the wait state.
				1		
Enable	Enable	-	Without data	0	If the SSR:TDRE bit is set to "1", the interface sets the SSR:TBI bit to "1" and waits. If the SSR:TDRE bit is set to "0", SSR:TBI bit stays "0" without the wait state.	Sets the IBCR:INT bit to "1" with the wait state.
			With data			
			-	1	If the SSR:TDRE bit is set to "1", the interface sets the SSR:TBI bit to "1" and waits. If the SSR:TDRE bit is set to "0", SSR:TBI bit stays "0" without the wait state.	

● When DMA mode is disabled (SSR:DMA=0)

To disable FIFO (To disable both transmit FIFO and received FIFO)

- When the IBSR:RSA bit is set to "0", after receiving acknowledgement, the interface sets the interrupt flag (IBCR:INT) to "1" if the SSR:TDRE bit is set to "1" and waits while maintaining SCL at LOW. Writing "0" to the interrupt flag sets the interrupt flag to "0", which releases wait. If the SSR:TDRE bit is set to "0", the interface generates a clock on SCL upon reception of ACK without setting the interrupt flag to "1".
- When the IBSR:RSA bit is set to "1", after receiving a reserved address (before acknowledgement), the interface sets the interrupt flag (IBCR:INT) to "1" and waits while maintaining SCL at LOW. After reading from the RDR register, setting the IBCR:ACKE bit and transmit data and writing "0" to the interrupt flag causes the interrupt flag to be set to "0", which releases wait.
- The received acknowledgement is set to the IBSR:RACK bit. The interface checks the IBSR:RACK bit during wait, and, in case of NACK, it writes "0" to the IBCR:MSS bit or "1" to the IBCR:SCC bit to generate a stop condition or iteration start condition. At this time, the IBCR:INT bit is cleared to "0" automatically.

To enable FIFO

- Before setting "1" to the IBCR:MSS bit, it is needed to set the following for FIFO.
- When transmitting to a slave (the data direction bit=0), data including the slave address must be set to transmit FIFO.
- When receiving data from a slave (the data direction bit=1), the FIFO Byte Register must be set with the number of data sets to be received, and dummy data must be written to the Transmit Data Register for the slave address, data direction bit and the data volume for the number of bytes to be received.
- When the IBSR:RSA bit is set to "0", after receiving acknowledgement and if it is ACK, the interface transmits/receives data according to the data direction bit without setting the interrupt flag (IBCR:INT) to "1" (with no wait occurring). If it is NACK, the interface sets the interrupt flag (IBCR:INT) to "1", and waits while maintaining SCL at LOW.
- The received acknowledgement is stored in the IBSR:RACK bit. The interface checks the IBSR:RACK bit during wait, and, in case of NACK, it writes "0" to the IBCR:MSS bit or "1" to the IBCR:SCC bit to generate a stop condition or iteration start condition. At this time, the IBCR:INT bit is cleared to "0" automatically.

● When DMA mode is enabled (SSR:DMA=1)

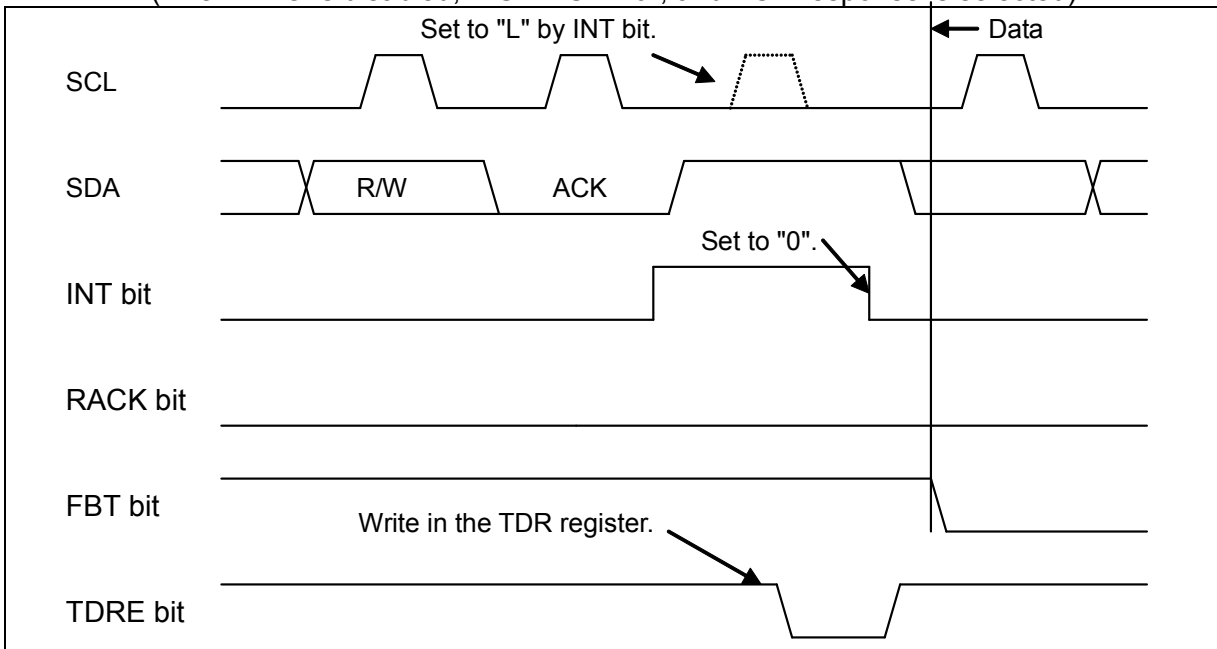
To disable FIFO (To disable both transmit FIFO and received FIFO)

- When the IBSR:RSA bit is set to "0", after receiving acknowledgement, the interface sets the transmit bus idle flag (SSR:TBI) to "1" if the SSR:TDRE bit is set to "1" and waits while maintaining SCL at LOW. Writing data to be transmitted to the TDR register causes the transmit bus idle flag to be set to "0", which releases wait. If the SSR:TDRE bit is set to "0", the interface generates a clock on SCL upon reception of ACK without setting the transmit bus idle flag (SSR:TBI) to "1".
- When the IBSR:RSA bit is set to "1", after receiving a reserved address (before acknowledgement), the interface sets the interrupt flag (IBCR:INT) to "1" and waits while maintaining SCL at LOW. After reading from the RDR register, setting the IBCR:ACKE bit and transmit data and writing "0" to the interrupt flag causes the interrupt flag to be set to "0", which releases wait.
- The received acknowledgement is set to the IBSR:RACK bit. The interface checks the IBSR:RACK bit during wait, and, in case of NACK, it writes "0" to the IBCR:MSS bit or "1" to the IBCR:SCC bit to generate a stop condition or iteration start condition. At this time, the IBCR:INT bit is cleared to "0" automatically.

To enable FIFO

- Before setting "1" to the IBCR:MSS bit, it is needed to set the following for FIFO.
- When transmitting to a slave (the data direction bit=0), data including the slave address must be set to transmit FIFO.
- When receiving data from a slave (the data direction bit=1), the FIFO Byte Register must be set with the number of data sets to be received, and dummy data must be written to the Transmit Data Register for the slave address, data direction bit and the data volume for the number of bytes to be received.
- When the IBSR:RSA bit is set to "0", after receiving acknowledgement and if it is ACK, the interface transmits/receives data according to the data direction bit without setting the interrupt flag (IBCR:INT) to "1" (with no wait occurring). If it is NACK, the interface sets the interrupt flag (IBCR:INT) to "1", and waits while maintaining SCL at LOW.
- The received acknowledgement is stored in the IBSR:RACK bit. The interface checks the IBSR:RACK bit during wait, and, in case of NACK, it writes "0" to the IBCR:MSS bit or "1" to the IBCR:SCC bit to generate a stop condition or iteration start condition. At this time, the IBCR:INT bit is cleared to "0" automatically.

Figure 2-7 Acknowledgement
 (when FIFO is disabled, IBSR:RSA="0", and ACK response is selected)



The following describes the wait timing for an address.

- After receiving acknowledgment if the IBSR:RSA bit is "0".
- Before receiving acknowledgment if the IBSR:RSA bit is "1".

Not dependent on the setting of the IBCR:WSEL.

Figure 2-8 Acknowledgement
 (when FIFO is disabled, IBSR:RSA="0", and NACK response is selected)

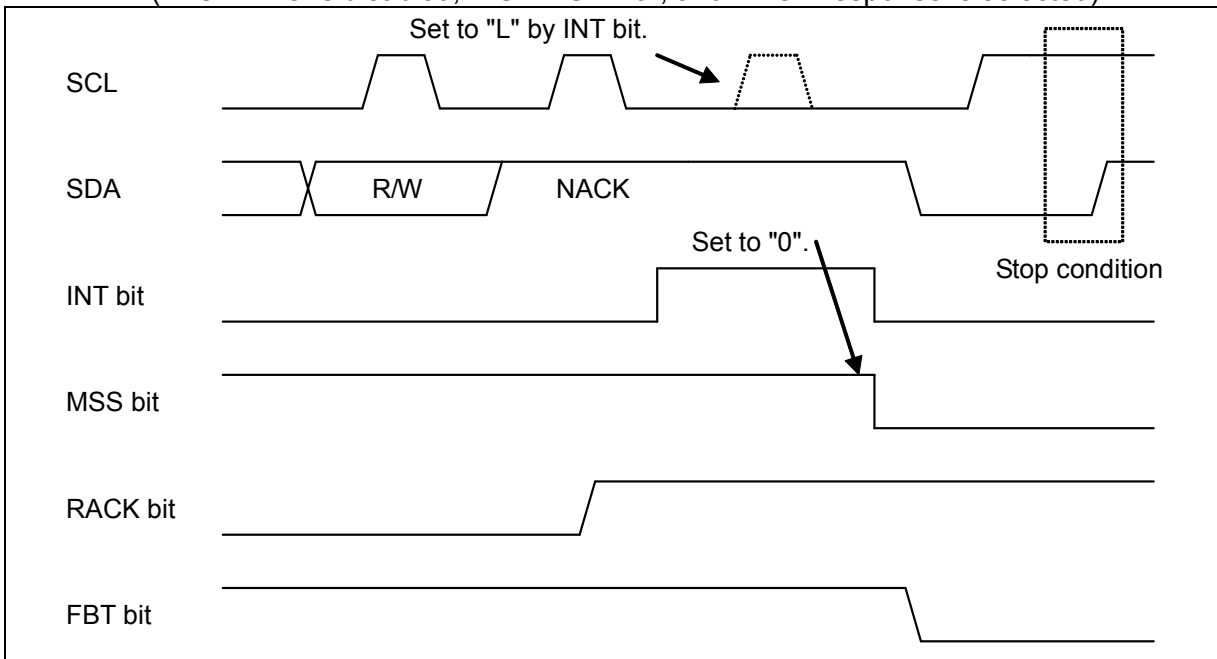


Figure 2-9 Acknowledgement
 (when FIFO is disabled, IBSR:RSA="1", and ACK response is selected)

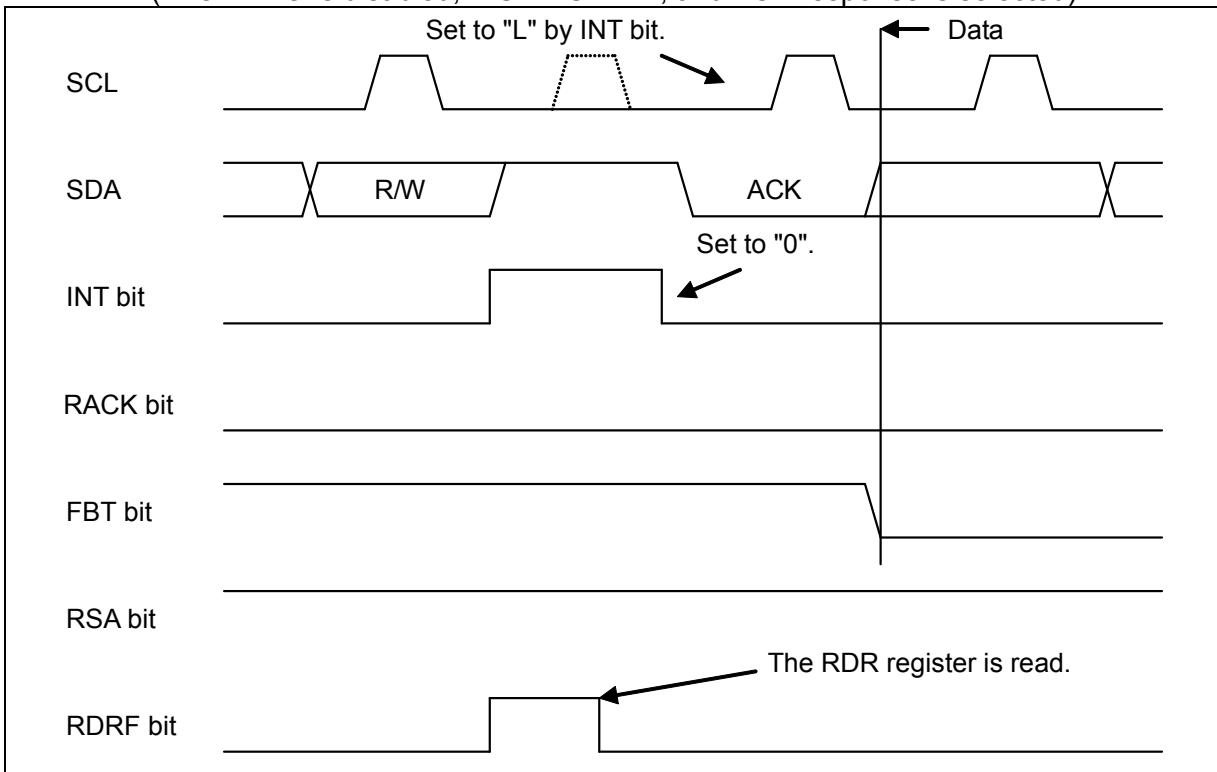


Figure 2-10 Acknowledgement
 (when FIFO is disabled, IBSR:RSA="1", and NACK response is selected)

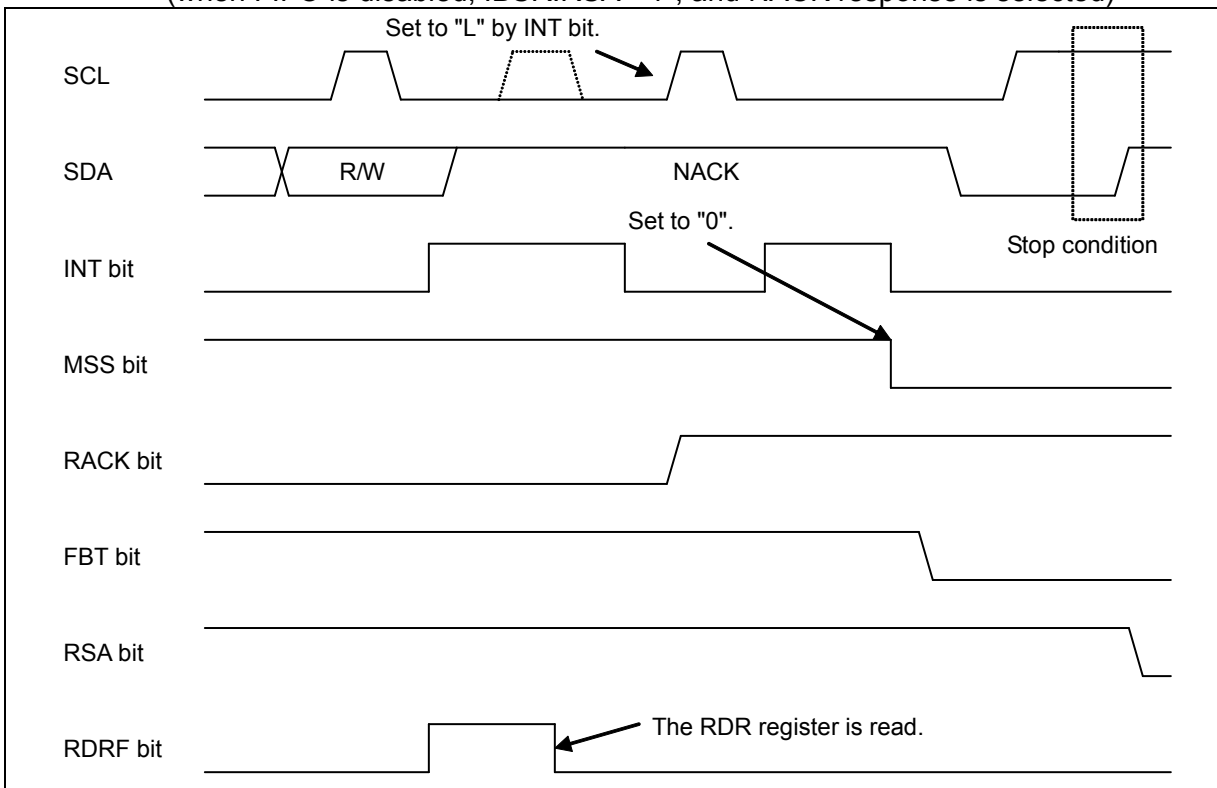
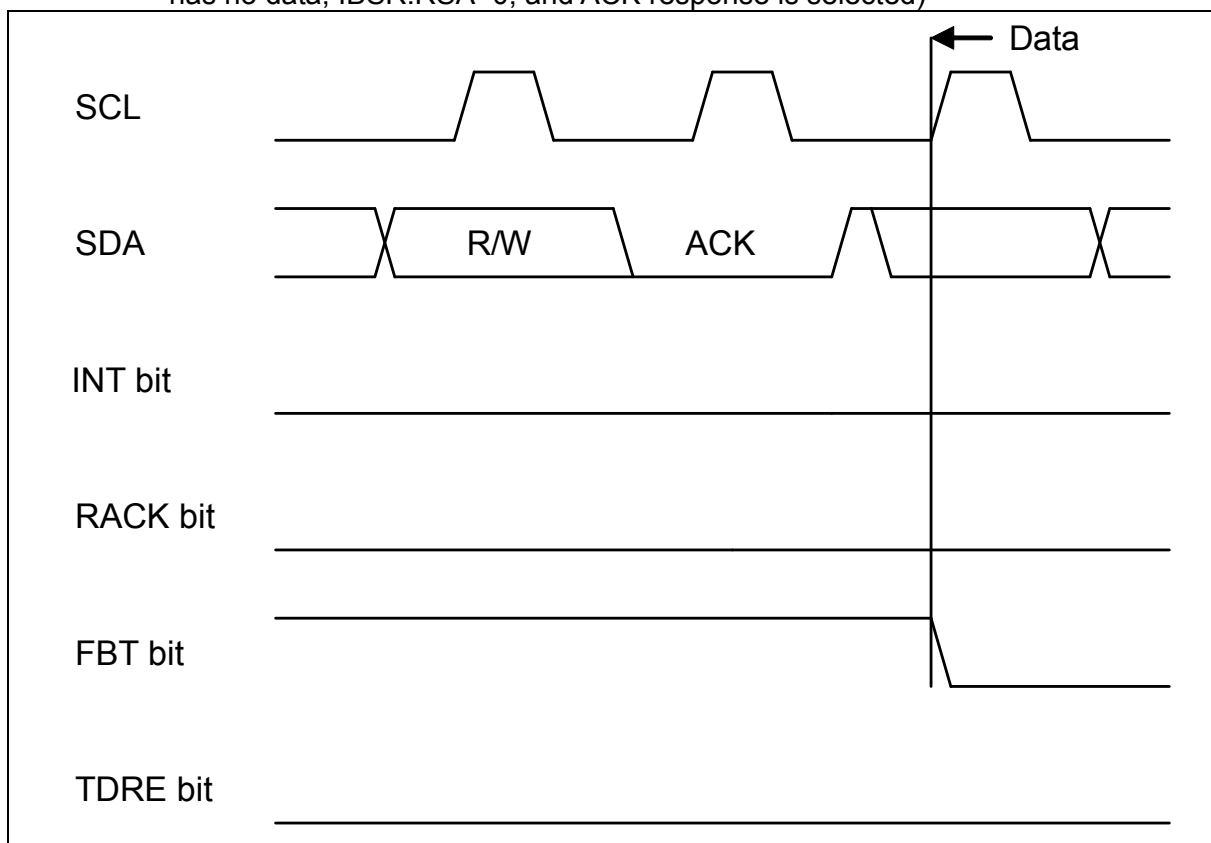


Figure 2-11 Acknowledgement (when FIFO is enabled, transmit FIFO has data, received FIFO has no data, IBSR:RSA=0, and ACK response is selected)



■ Data transmission by the master

When the data direction bit (R/W) is set to "0", data are transmitted from the master. The slave gives response either with ACK or NACK for each one-byte transmission.

The following shows the wait timing by IBCR:WSEL setting.

Table 2-4 IBCR:WSEL bit status for master data transmission when DMA mode is disabled (SSR:DMA=0)

WSEL bit	Operation
0	<p><When FIFO is not used> After the second byte, after acknowledgement with "1" set for the SSR:TDRE bit or upon detection of arbitration lost, the interrupt flag (IBCR:INT) is set to "1" and SCL to LOW for the wait state.</p> <p><When FIFO is used> Starts the wait state by setting the interrupt flag (IBCR:INT) to "1" after acknowledgement upon detection of arbitration lost or when no more valid data remain in the Transmit Data Register (SSR:TDRE=1).</p>
1	<p><When FIFO is not used> After the second byte, after the master has transmitted one-byte data with "1" set for the SSR:TDRE bit or upon detection of arbitration lost, the interrupt flag (IBCR:INT) is set to "1" and SCL to LOW for the wait state.</p> <p><When FIFO is used> Starts the wait state by setting the interrupt flag (IBCR:INT) to "1" when data transmission has taken place after detection of arbitration lost or no more valid data in the Transmit Data Register (SSR:TDRE=1).</p>

Table 2-5 IBCR:WSEL bit status for master data transmission when DMA mode is enabled (SSR:DMA=1)

WSEL bit	Operation
0	<When FIFO is not used> After the second byte, after acknowledgement with "1" set for the SSR:TDRE bit, the transmit bus idle flag (SSR:TBI) is set to "1" and SCL to LOW for the wait state. <When FIFO is used> Starts the wait state by setting the transmit bus idle flag (SSR:TBI) to "1" after acknowledgment when no more valid data remain in the Transmit Data Register (SSR:TDRE=1).
1	<When FIFO is not used> After the second byte, after the master has transmitted one-byte data with "1" set for the SSR:TDRE bit, the transmit bus idle flag (SSR:TBI) is set to "1" and SCL to LOW for the wait state. <When FIFO is used> Starts the wait state by setting the transmit bus idle flag (SSR:TBI) to "1" after the master has transmitted one-byte data when no more valid data remain in the Transmit Data Register (SSR:TDRE=1).

In the following case, however, the interrupt flag (IBCR:INT) is set after acknowledgement, regardless of the IBCR:WSEL setting:

- If NACK is received when the stop condition (IBCR:MSS=0, ACT=1) is not set.

The following shows an example procedure for transmitting data to a slave.

● **Data Transmission to slave when DMA mode is disabled (SSR:DMA=0)**

1. To transmit data to an address other than the reserved:

- When transmit FIFO is disabled:
 1. Sets Slave Address (including the data direction bit) to the TDR register and writes "1" to the IBCR:MSS bit.
 2. ACK is received after the Slave Address setting is transmitted, and then the interrupt flag (IBCR:INT) is set to "1".
 3. Writes transmit data to the TDR register.
 4. Writes "0" to the interrupt flag (IBCR:INT) upon updating of the IBCR:WSEL bit and releases the wait state of the I²C bus.
 5. After transmitting one byte, the interrupt flag is set to "1", which puts the I²C bus in the wait state after receiving acknowledgment in case of IBCR:WSEL=0, and directly after transmitting one byte in case IBCR:WSEL=1. Repeats steps 3 to 5 until all the specified number of data sets have been transmitted. However, if NACK is received after the wait state is released when IBCR:WSEL=1, another interrupt is generated after receiving acknowledgement and the bus enters the wait state.
 6. Sets the IBCR:MSS bit to "0" or sets the IBCR:SCC bit to "1" to generate the stop condition or iteration start condition.
- When transmit FIFO is enabled:
 1. Writes Slave Address (including the data direction bit) and transmit data to the TDR register.
 2. Writes "1" to the IBCR:MSS bit upon setting of the IBCR:WSEL bit.
 3. If NACK is received during transmission, sets the interrupt flag (IBCR:INT) to "1" immediately after that to put the I²C bus in the wait state. If ACK responses are received for all bytes, sets the interrupt flag to "1" according to the setting of IBCR:WSEL after the last byte is transmitted to put the I²C bus in the wait state.
 4. Sets the IBCR:MSS bit to "0" or sets the IBCR:SCC bit to "1" to generate the stop condition or iteration start condition.

2. To transmit data to a reserved address:

- When transmit FIFO is disabled:
 1. Sets the reserved address for Slave Address in the TDR register and writes "1" to the IBCR:MSS bit.
 2. After the Slave Address setting is transmitted, the interrupt flag (IBCR:INT) is set to "1".
 3. Reads from the RDR register and confirms the reserved address.(*1)
 4. Writes transmit data to the TDR register.
 5. Writes "0" to the interrupt flag (IBCR:INT) upon updating of the IBCR:WSEL bit and releases the wait state of the I²C bus.
 6. After transmitting one byte, the interrupt flag is set to "1", which puts the I²C bus in the wait state after receiving acknowledgment in case of IBCR:WSEL=0, and directly after transmitting one byte in case IBCR:WSEL=1. Repeats steps 4 to 6 until all the specified number of data sets have been transmitted. However, if NACK is received after the wait state is released when IBCR:WSEL=1, another interrupt is generated after receiving acknowledgement and the bus enters the wait state.
 7. Sets the IBCR:MSS bit to "0" or sets the IBCR:SCC bit to "1" to generate the stop condition or iteration start condition.

- When transmit FIFO is enabled:
 1. Sets the reserved address for Slave Address in the TDR register and writes "1" to the IBCR:MSS bit.
 2. After the Slave Address setting is transmitted, the interrupt flag (IBCR:INT) is set to "1".
 3. Reads from the RDR register and confirms the reserved address.(*1)
 4. Writes all transmit data to the TDR register (until transmit FIFO becomes full if it is the case).
 5. If NACK is received during transmission, the interrupt flag (IBCR:INT) is set to "1" immediately after that to put the I²C bus in the wait state.
If ACK responses are received for all bytes, sets the interrupt flag to "1" according to the setting of IBCR:WSEL after the last byte is transmitted to put the I²C bus in the wait state.
 6. Sets the IBCR:MSS bit to "0" or sets the IBCR:SCC bit to "1" to generate the stop condition or iteration start condition.

*1 : When any one of the following conditions is met, the IBCR:ACKE and IBCR:WSEL bits must be set to "1" and to check which is needed for the next data, operation as a master or operation as a slave.

- Multi-master mode is activated and the reserved address is a general call.
- Arbitration lost has been detected and the interface may operate as a slave.

● **Data Transmission to slave when DMA mode is enabled (SSR:DMA=1)**

1. To transmit data to an address other than the reserved:

- When transmit FIFO is disabled:
 1. Sets Slave Address (including the data direction bit) to the TDR register and writes "1" to the IBCR:MSS bit.
 2. ACK is received after the Slave Address setting is transmitted, and then the transmit bus idle flag (SSR:TBI) is set to "1".
 3. Writes data to be transmitted to the TDR register to release the wait state of the I²C bus.
 4. After transmitting one byte, sets the transmit bus idle flag (SSR:TBI) to "1" to put the I²C bus in the wait state after receiving acknowledgment in case of IBCR:WSEL=0, and directly after transmitting one byte in case of IBCR:WSEL=1.
 5. Writes data to be transmitted to the TDR register to release the wait state of the I²C bus.
 6. After transmitting one byte, sets the transmit bus idle flag to "1" to put the I²C bus in the wait state after receiving acknowledgment in case of IBCR:WSEL=0, and directly after transmitting one byte in case of IBCR:WSEL=1. Repeats steps 5 to 6 until all the specified number of data sets have been transmitted. However, if NACK is received after the wait state is released when IBCR:WSEL=1, the interrupt flag (IBCR:INT) is set to "1" after receiving acknowledgement and the bus enters the wait state.
 7. Sets the IBCR:MSS bit to "0" or sets the IBCR:SCC bit to "1"*2 to generate the stop condition or iteration start condition.

- When transmit FIFO is enabled:
 1. Writes Slave Address (including the data direction bit) and transmit data to the TDR register.
 2. Writes "1" to the IBCR:MSS bit upon setting of the IBCR:WSEL bit.
 3. If NACK is received during transmission, sets the interrupt flag (IBCR:INT) to "1" immediately after that to put the I²C bus in the wait state. If ACK responses are received for all bytes, sets the transmit bus idle flag (SSR:TBI) to "1" according to the setting of IBCR:WSEL after the last byte is transmitted to put the I²C bus in the wait state.
 4. Sets the IBCR:MSS bit to "0" or sets the IBCR:SCC bit to "1"*2 to generate the stop condition or iteration start condition.

- 2. To transmit data to a reserved address:**
 - When transmit FIFO is disabled:
 1. Sets the reserved address for Slave Address in the TDR register and writes "1" to the IBCR:MSS bit.
 2. After the Slave Address setting is transmitted, the interrupt flag (IBCR:INT) is set to "1".
 3. Reads from the RDR register and confirms the reserved address.(*1)
 4. Writes transmit data to the TDR register.
 5. Writes "0" to the interrupt flag (IBCR:INT) upon updating of the IBCR:WSEL bit and releases the wait state of the I²C bus.
 6. After transmitting one byte, the interrupt flag is set to "1", which puts the I²C bus in the wait state after receiving acknowledgment in case of IBCR:WSEL=0, and directly after transmitting one byte in case IBCR:WSEL=1.
 7. Writes data to be transmitted to the TDR register to release the wait state of the I²C bus.
 8. After transmitting one byte, sets the transmit bus idle flag to "1" to put the I²C bus in the wait state after receiving acknowledgment in case of IBCR:WSEL=0, and directly after transmitting one byte in case of IBCR:WSEL=1. Repeats steps 7 to 8 until all the specified number of data sets have been transmitted. However, if NACK is received after the wait state is released when IBCR:WSEL=1, the interrupt flag (IBCR:INT) is set to "1" after receiving acknowledgement and the bus enters the wait state.
 9. Sets the IBCR:MSS bit to "0" or sets the IBCR:SCC bit to "1"*2 to generate the stop condition or iteration start condition.

- When transmit FIFO is enabled:
 1. Sets the reserved address for Slave Address in the TDR register and writes "1" to the IBCR:MSS bit.
 2. After the Slave Address setting is transmitted, the interrupt flag (IBCR:INT) is set to "1".
 3. Reads from the RDR register and confirms the reserved address.(*1)
 4. Writes all transmit data to the TDR register (until transmit FIFO becomes full if it is the case).
 5. If NACK is received during transmission, sets the interrupt flag (IBCR:INT) to "1" immediately after that to put the I²C bus in the wait state. If ACK responses are received for all bytes, sets the interrupt flag (IBCR:INT) to "1" according to the setting of IBCR:WSEL after the last byte is transmitted, which puts the I²C bus in the wait state.
 6. Sets the IBCR:MSS bit to "0" or sets the IBCR:SCC bit to "1"(*2) to generate the stop condition or iteration start condition.

*1 : When any one of the following conditions is met, the IBCR:ACKE and IBCR:WSEL bits must be set to "1" and to check which is needed for the next data, operation as a master or operation as a slave.

- Multi-master mode is activated and the reserved address is a general call.
- Arbitration lost has been detected and the interface may operate as a slave.

*2 : When DMA is enabled (SSR:DMA=1), the SSR:TBI bit is "1" and the IBCR:INT bit is "0", follow the steps below to issue the iteration start condition.

1. Set the IBCR:INT bit to "1".
2. Check that the IBCR:INT bit is set to "1".
3. Write the slave address in the TDR.
4. Set the IBCR:SCC bit to "1".

<Notes>

- When seven-bit slave address detection is enabled (ISBA:SAEN=1), it is prohibited to specify a seven-bit slave address in master mode.
- To change the IBCR register during transmission/reception, do so when the interrupt flag (IBCR:INT) is "1".
- If the IBCR:WSEL bit is changed, the update is used as a condition for generating the transmit bus idle flag (SSR:TBI) when the interrupt flag (IBCR:INT) is enabled and DMA mode is also enabled (SSR:DMA=1) for the next data.
- The master operates as follows when transmit data are written to the TDR register during data transmission with SSR:TDRE set to "1" and an ACK response is detected.
 - When DMA mode is disabled (SSR:DMA=0), the interrupt flag (IBCR:INT) does not attain "1", and the written data are transmitted.
 - When DMA mode is enabled (SSR:DMA=1), the transmit bus idle flag (SSR:TBI) does not attain "1", and the written data are transmitted.
- The master operates as follows when transmit data are written to the TDR register during data reception with SSR:TDRE set to "1" and an ACK response is detected.
 - When DMA mode is disabled (SSR:DMA=0), the interrupt flag (IBCR:INT) does not attain "1" and only SSR:RDRF attains "1" (when received FIFO is enabled, and the number of bytes set in the FBYTE register have been received).
 - When DMA mode is enabled (SSR:DMA=1), the transmit bus idle flag (SSR:TBI) does not attain "1" and only SSR:RDRF attains "1" (when received FIFO is enabled, and the number of bytes set in the FBYTE register have been received).

Figure 2-12 Master mode interrupt 1 by disabling FIFO
 (SSR:DMA="0", IBCR:WSEL="0", IBSR:RSA="0")

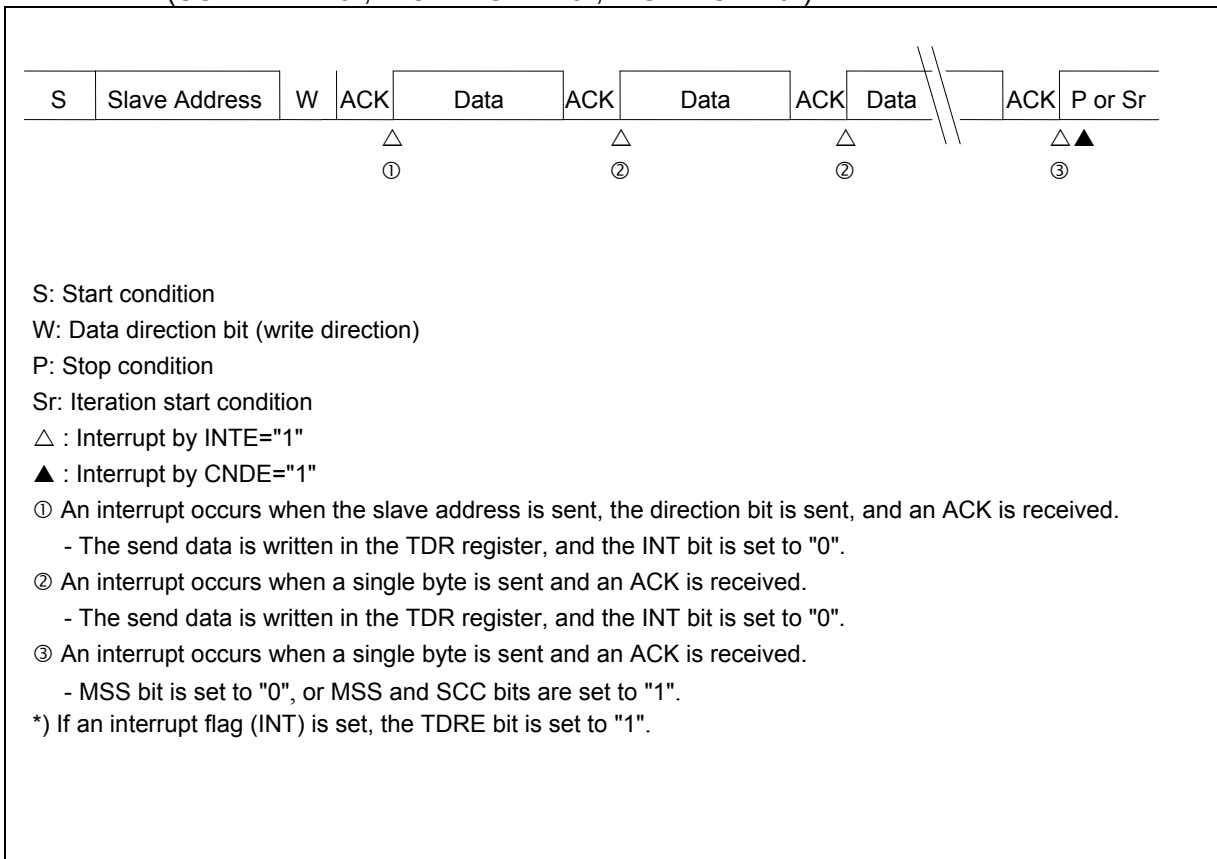


Figure 2-13 Master mode transmit interrupt 2 by disabling FIFO
 (SSR:DMA="0", IBCR:WSEL="1", IBSR:RSA="0", ACK response)

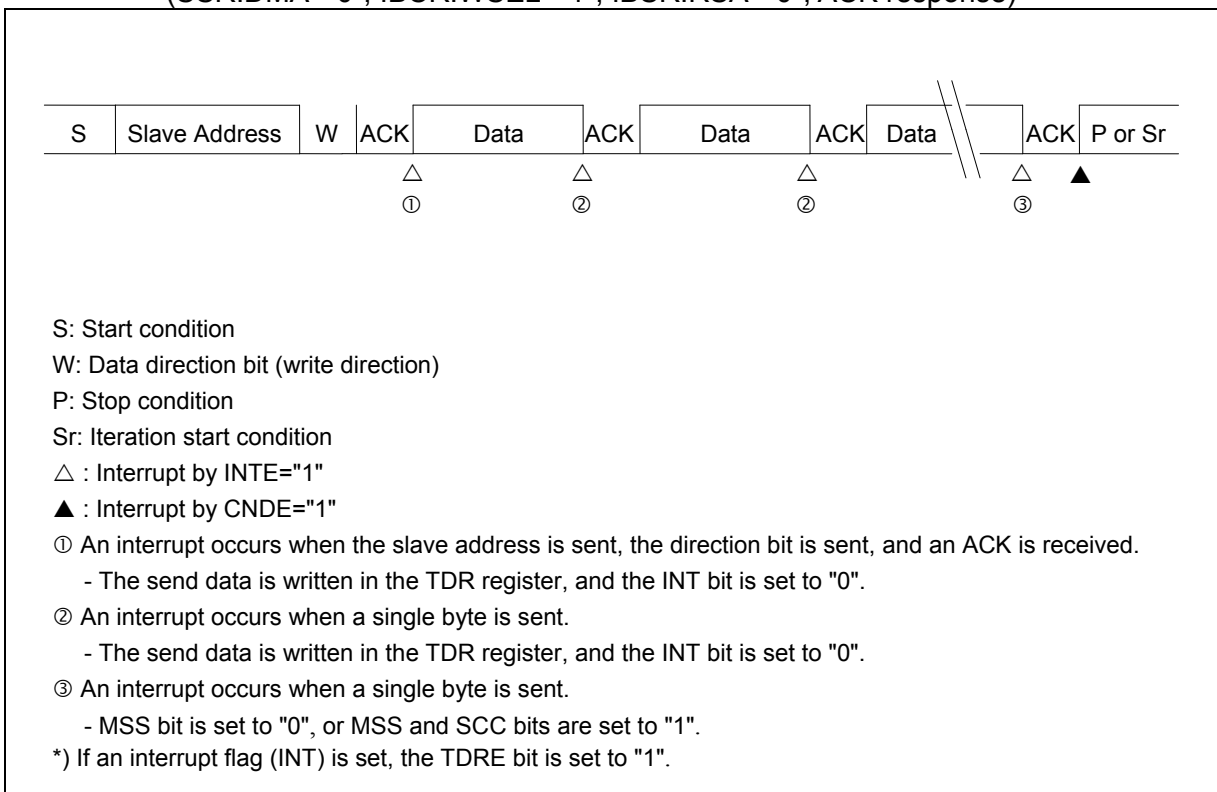


Figure 2-14 Master mode transmit interrupt 3 by disabling FIFO
 (SSR:DMA="0", IBCR:WSEL="1", IBSR:RSA="0", NACK response)

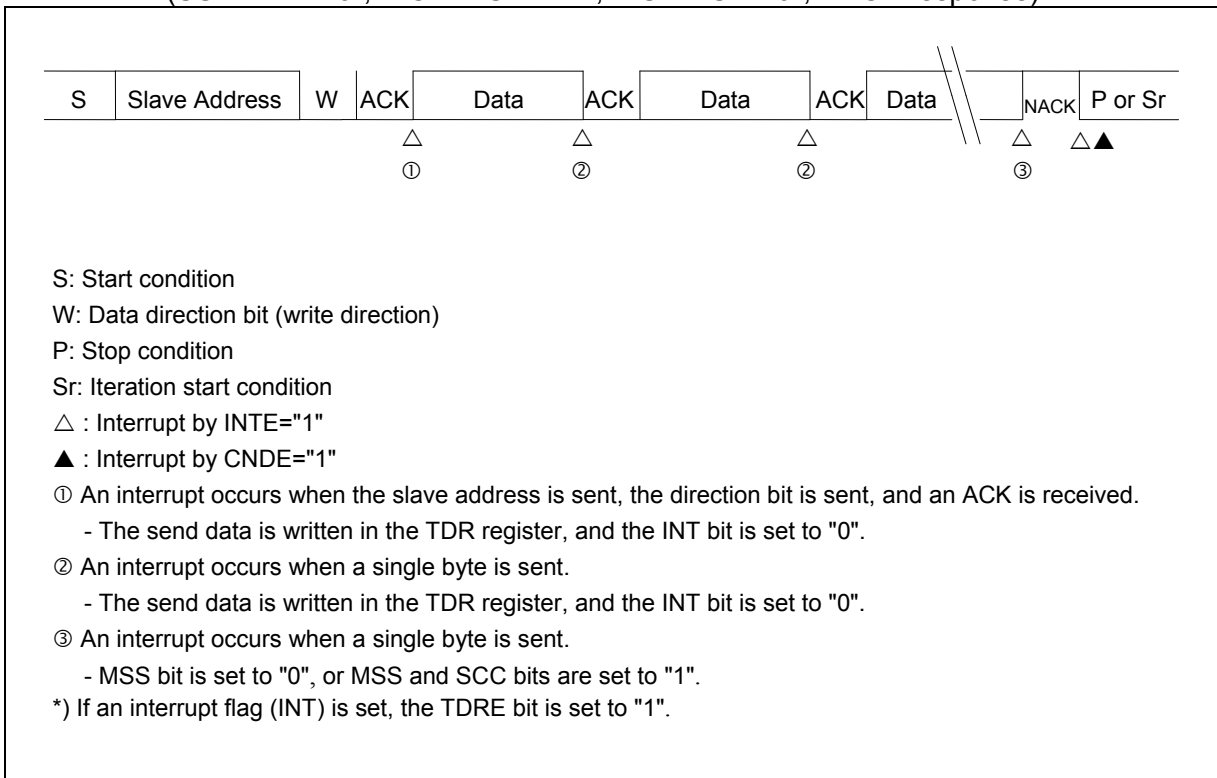


Figure 2-15 Master mode transmit interrupt 4 by disabling FIFO (SSR:DMA="0",
 IBCR:WSEL="1", IBSR:RSA="0", NACK response during transmission)

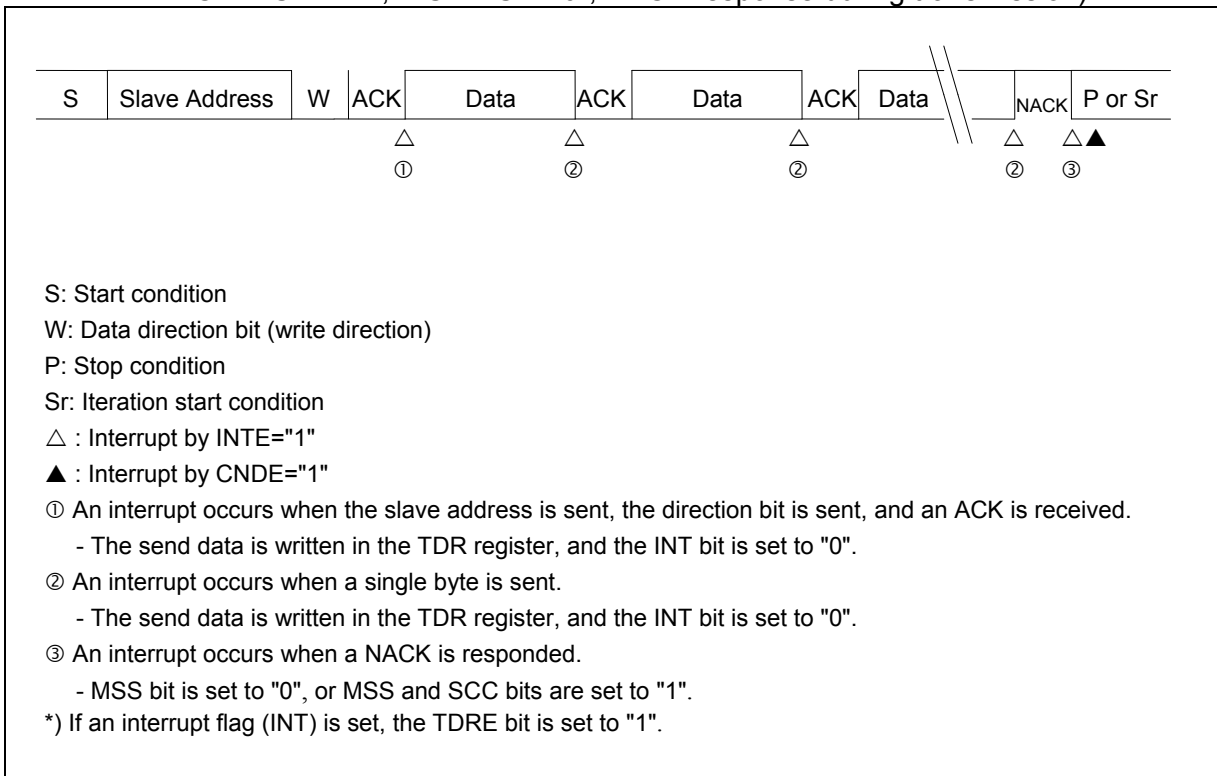


Figure 2-16 Master mode transmit interrupt 5 by disabling FIFO
 (SSR:DMA="0", IBCR:WSEL="1" -> "0", IBSR:RSA="0", ACK response)

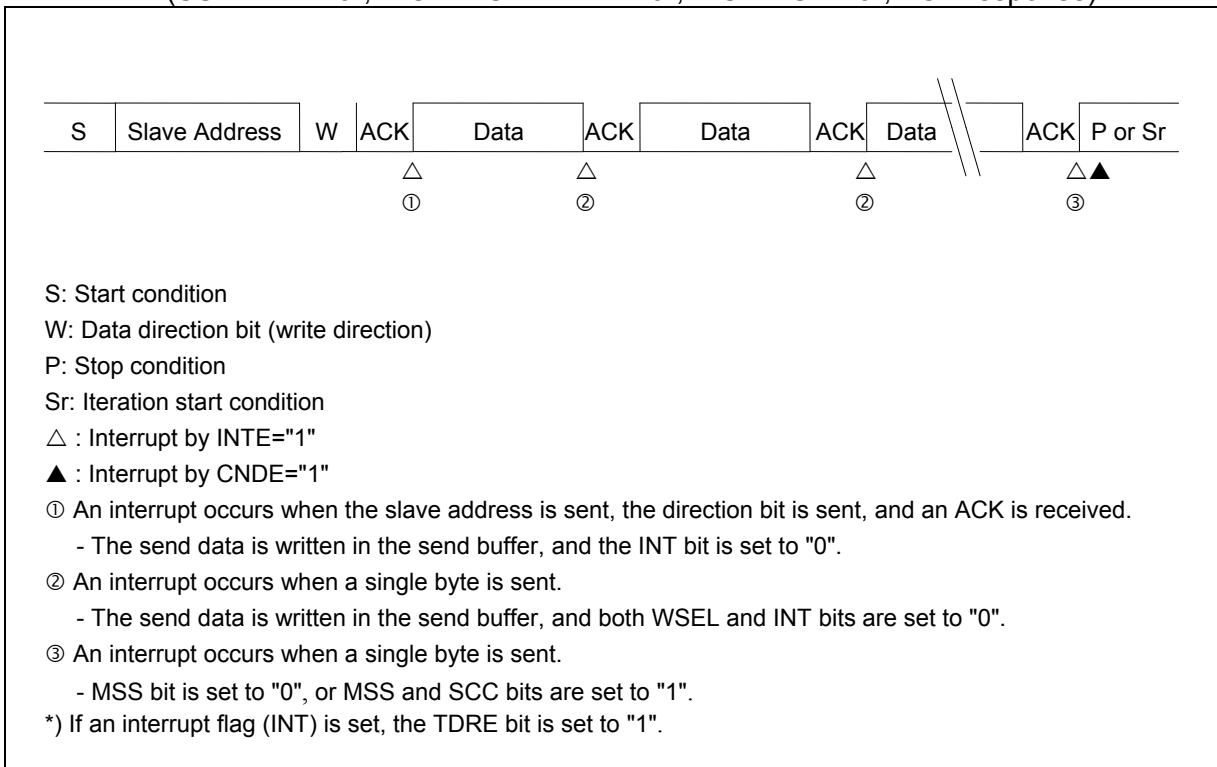


Figure 2-17 Master mode interrupt 6 by disabling FIFO
 (SSR:DMA="0", IBCR:WSEL="0", IBSR:RSA="1")

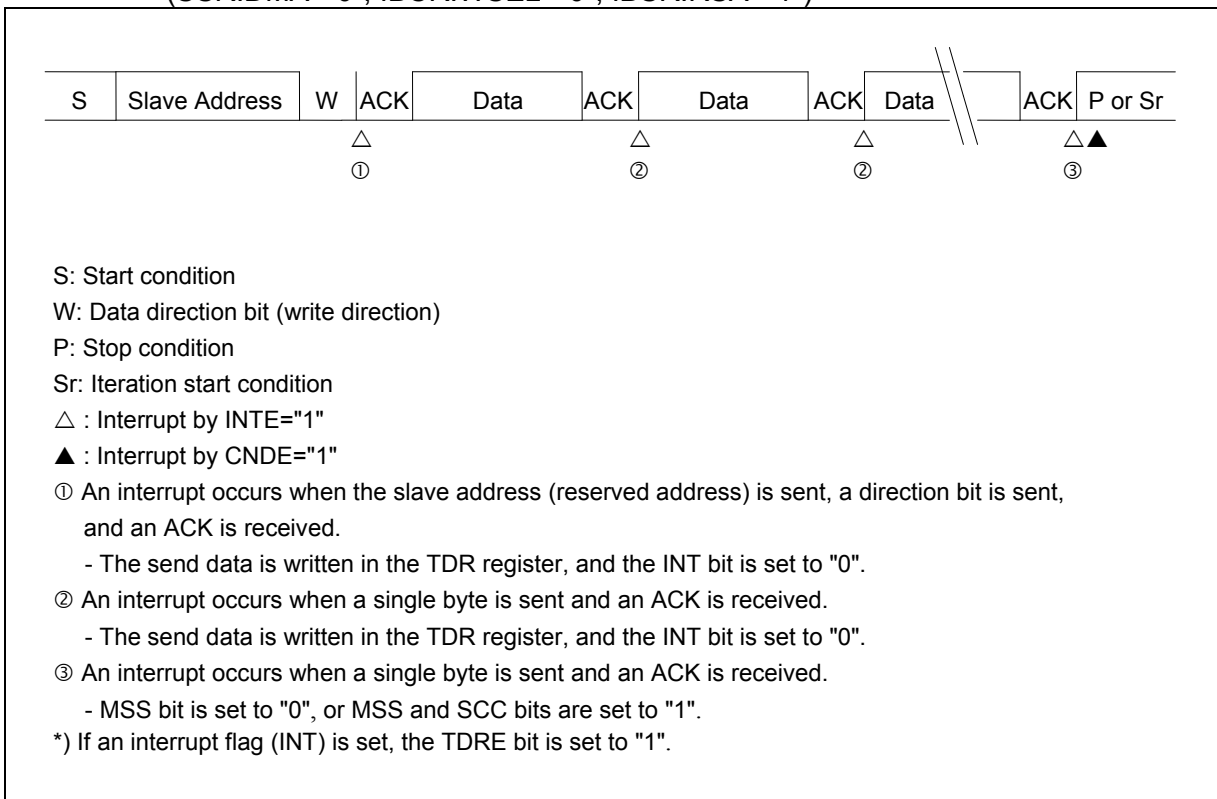


Figure 2-18 Master mode transmit interrupt 7 by enabling FIFO
 (SSR:DMA="0", IBCR:WSEL="0", IBSR:RSA="0", ACK response)

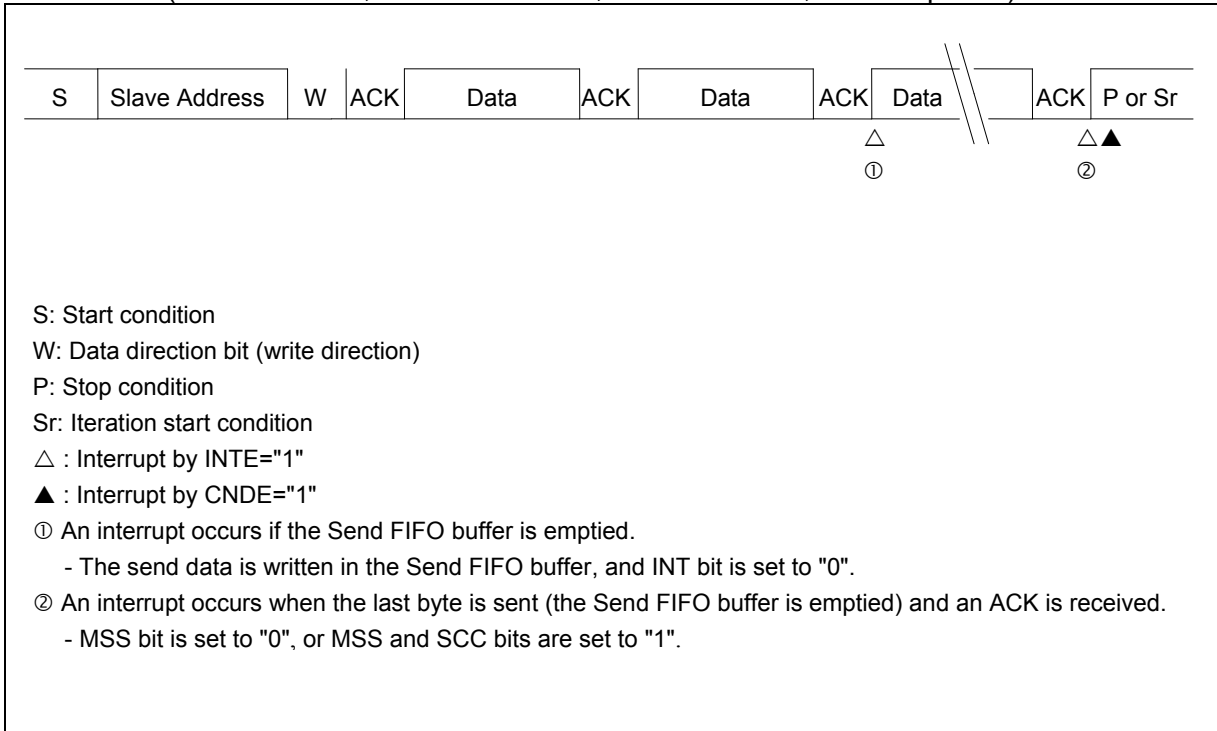


Figure 2-19 Master mode transmit interrupt 8 by enabling FIFO
 (SSR:DMA="0", IBCR:WSEL="1", IBSR:RSA="0")

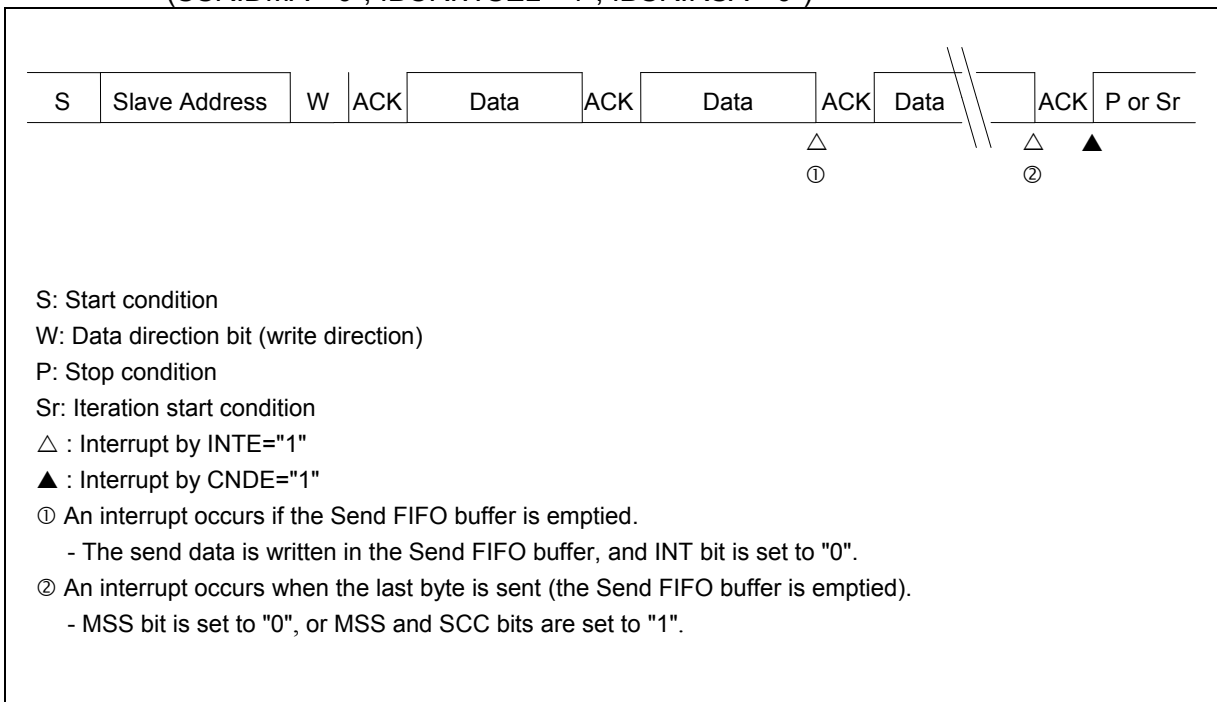


Figure 2-20 Master mode transmit interrupt 9 by enabling FIFO
 (SSR:DMA="0", IBCR:WSEL="1", IBSR:RSA="0", NACK response)

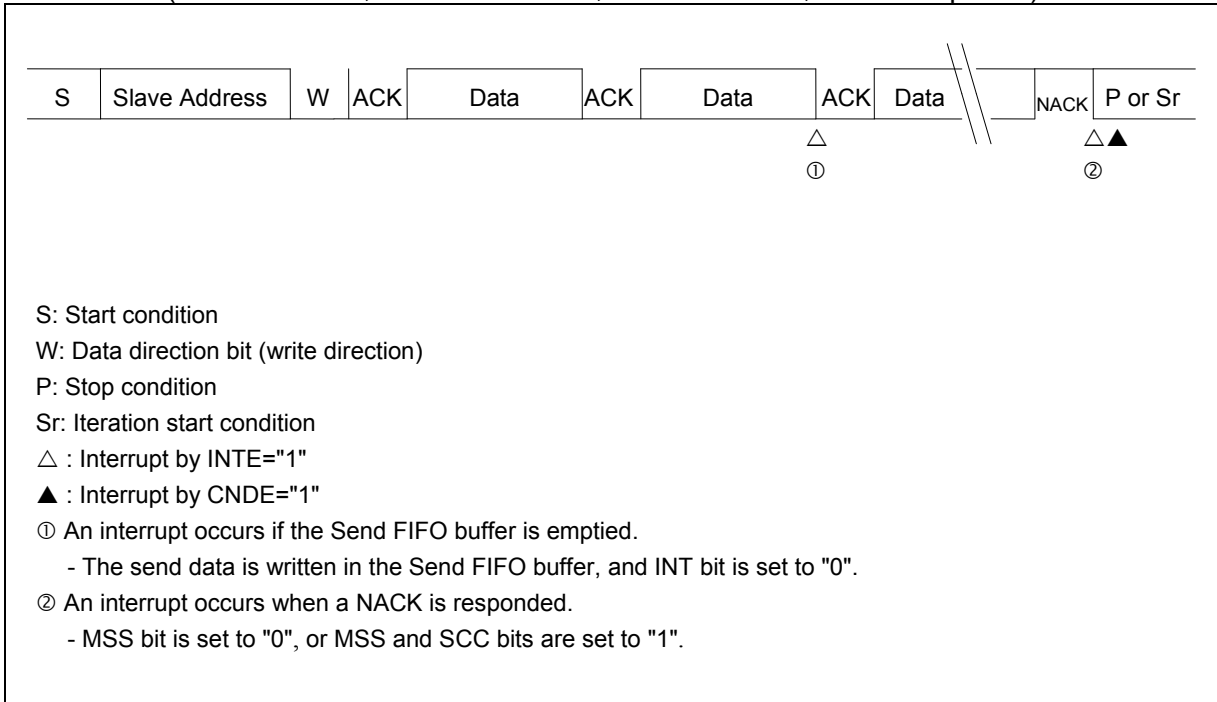


Figure 2-21 Master mode interrupt 10 by disabling FIFO
 (SSR:DMA="1", IBCR:WSEL="0", IBSR:RSA="0")

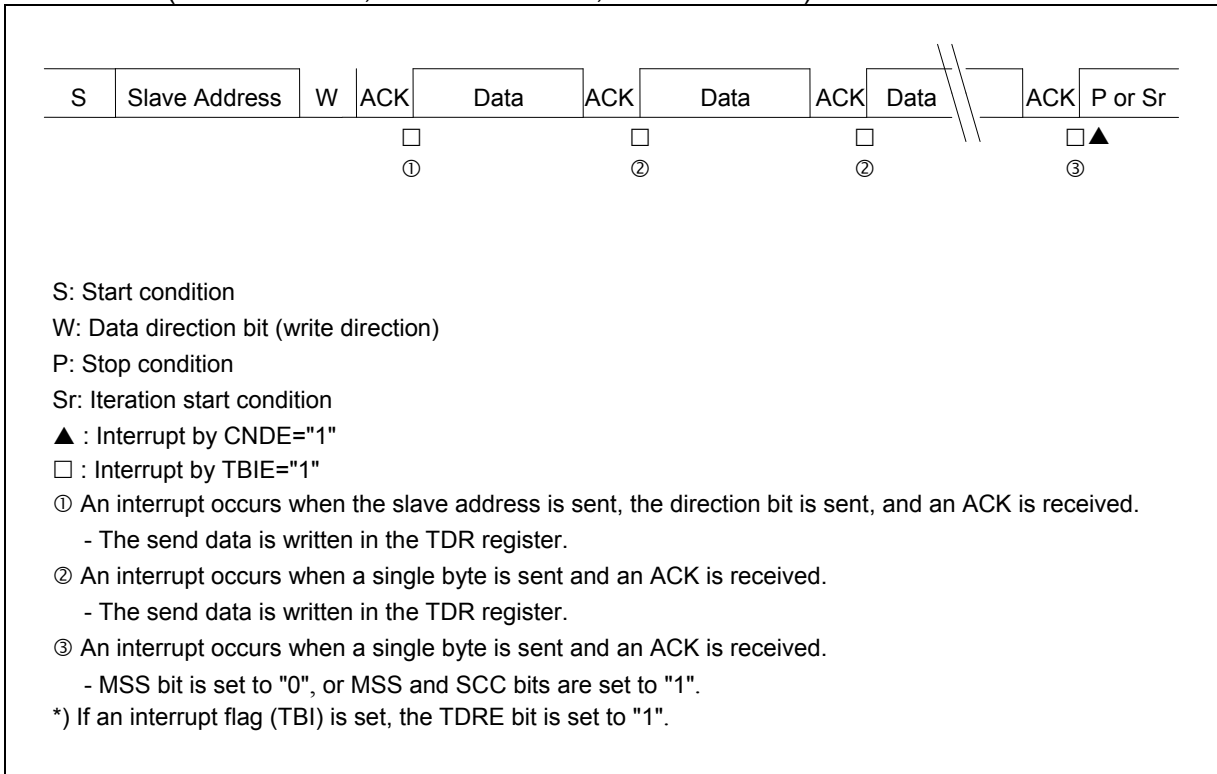


Figure 2-22 Master mode transmit interrupt 11 by disabling FIFO
 (SSR:DMA="1", IBCR:WSEL="1", IBSR:RSA="0", ACK response)

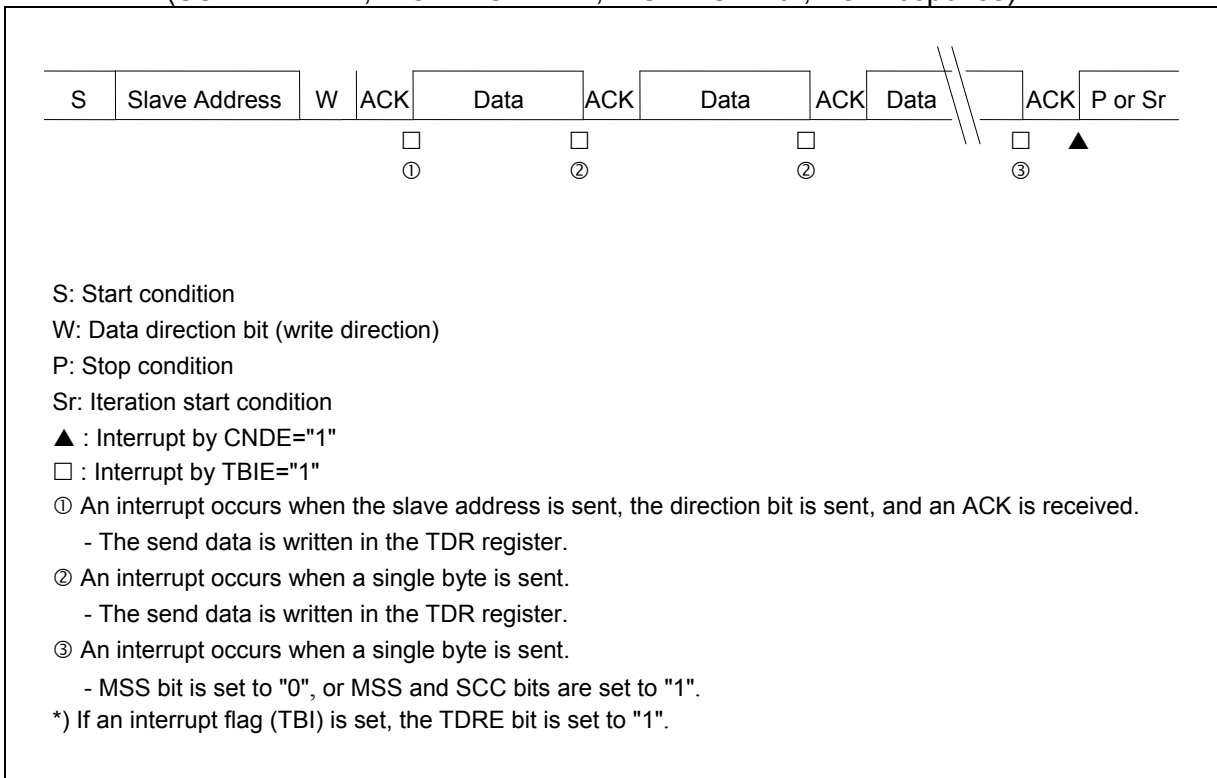


Figure 2-23 Master mode transmit interrupt 12 by disabling FIFO
 (SSR:DMA="1", IBCR:WSEL="1", IBSR:RSA="0", NACK response)

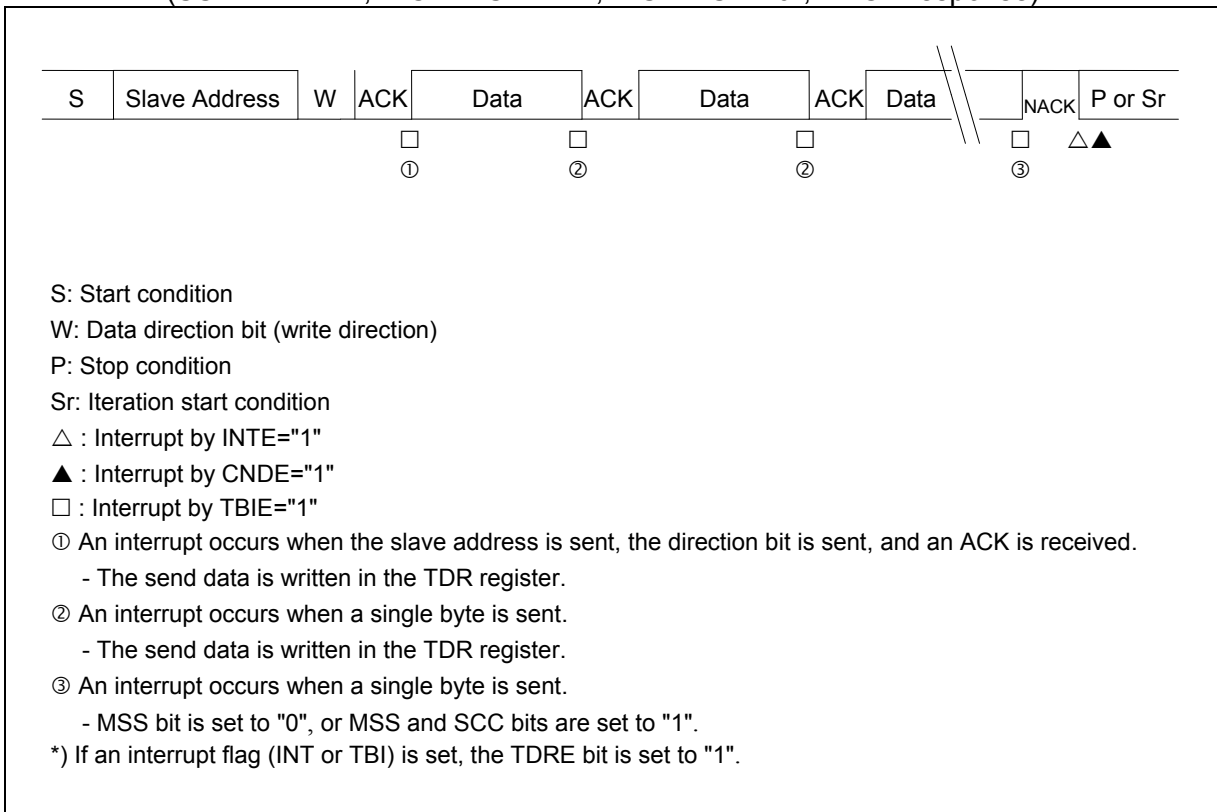


Figure 2-24 Master mode transmit interrupt 13 by disabling FIFO (SSR:DMA="1", IBCR:WSEL="1", IBSR:RSA="0", NACK response during transmission)

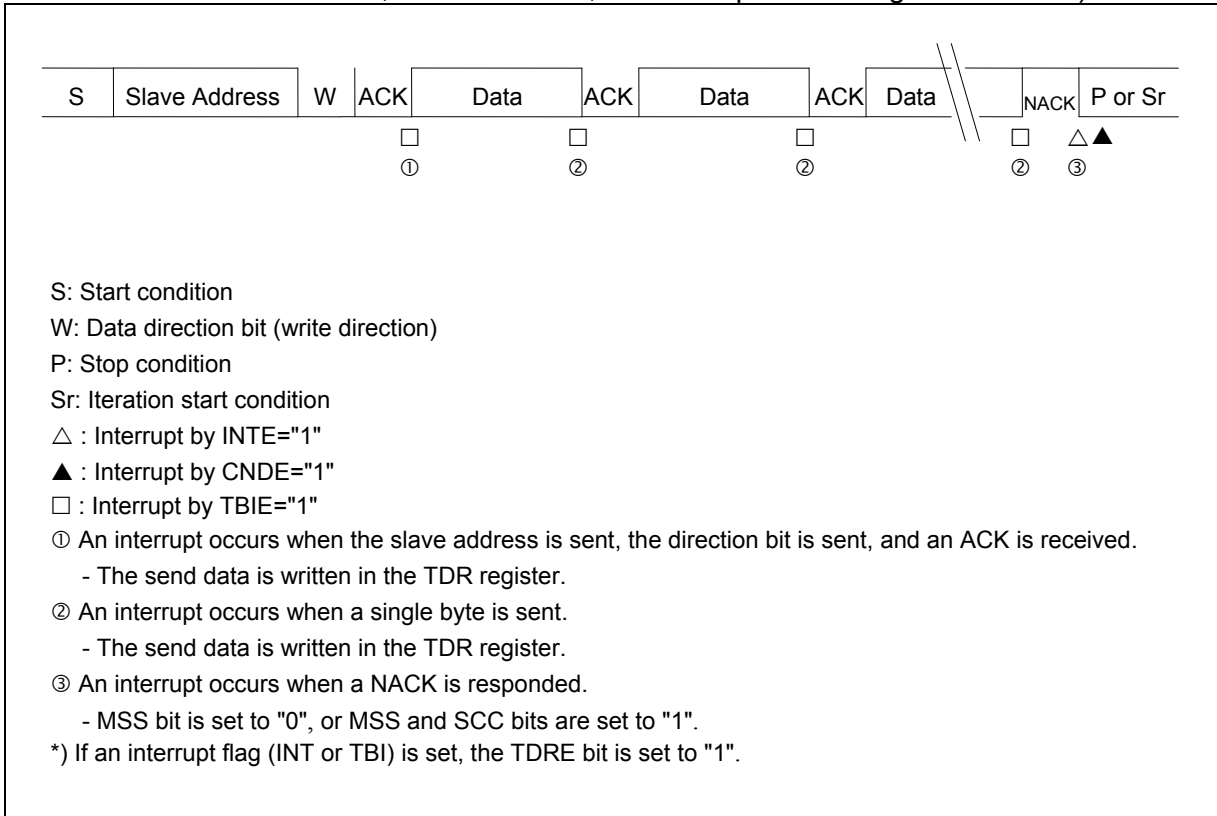


Figure 2-25 Master mode transmit interrupt 14 by disabling FIFO (SSR:DMA="1", IBCR:WSEL="1" -> "0", IBSR:RSA="0", ACK response)

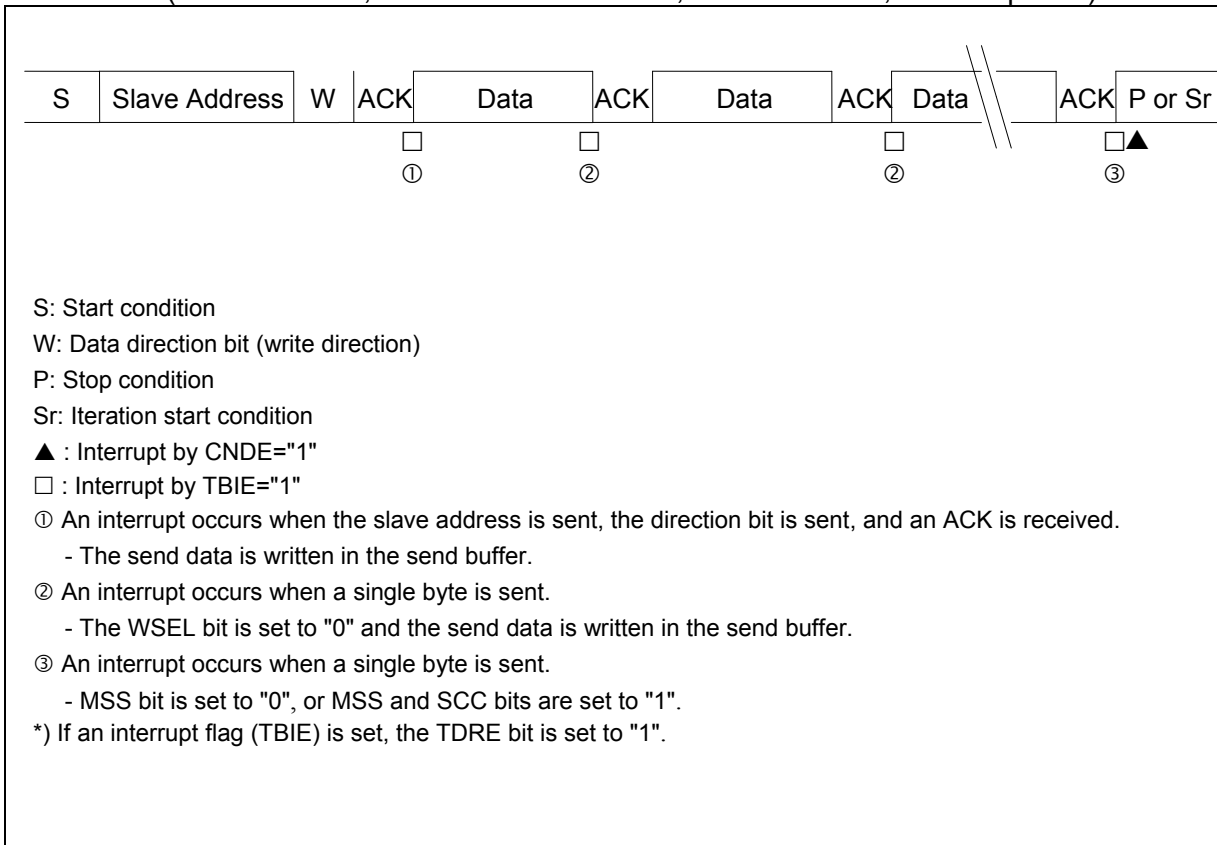


Figure 2-26 Master mode interrupt 15 by disabling FIFO
 (SSR:DMA="1", IBCR:WSEL="0", IBSR:RSA="1")

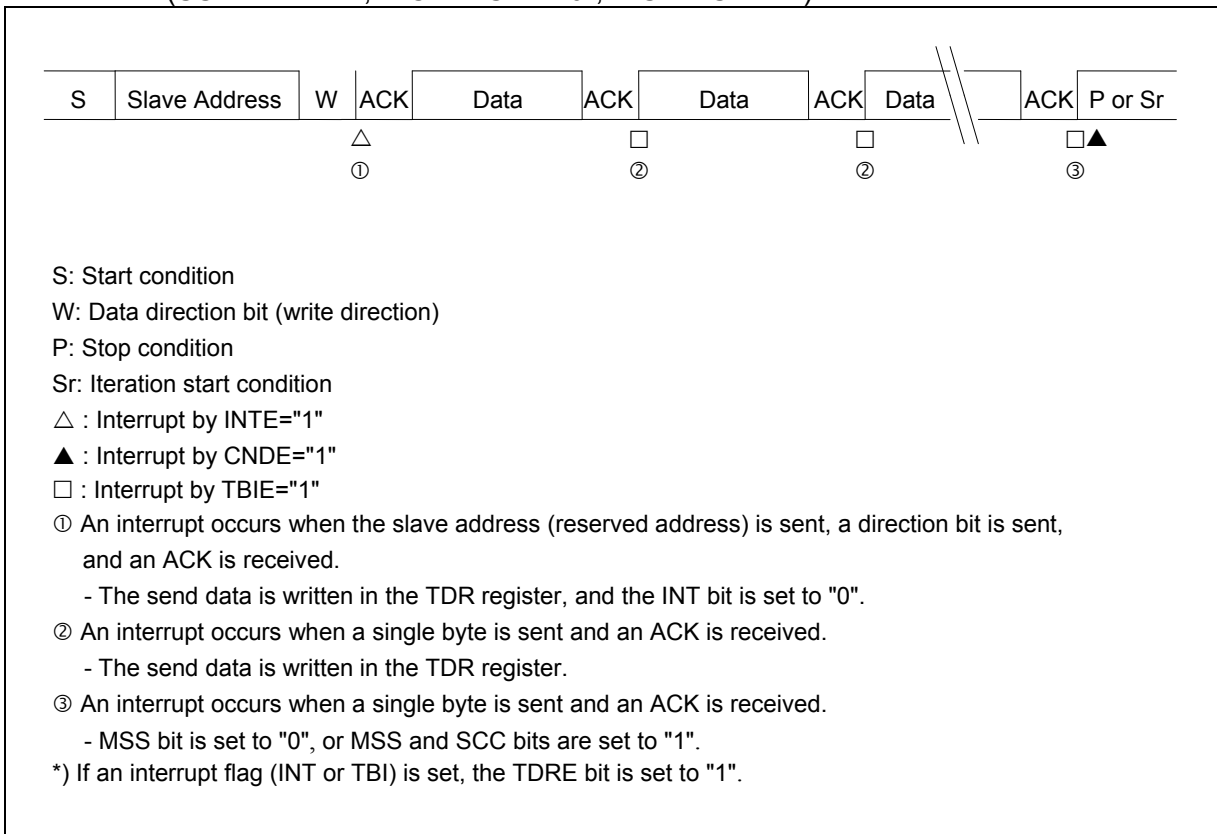


Figure 2-27 Master mode transmit interrupt 16 by enabling FIFO
 (SSR:DMA="1", IBCR:WSEL="0", IBSR:RSA="0", ACK response)

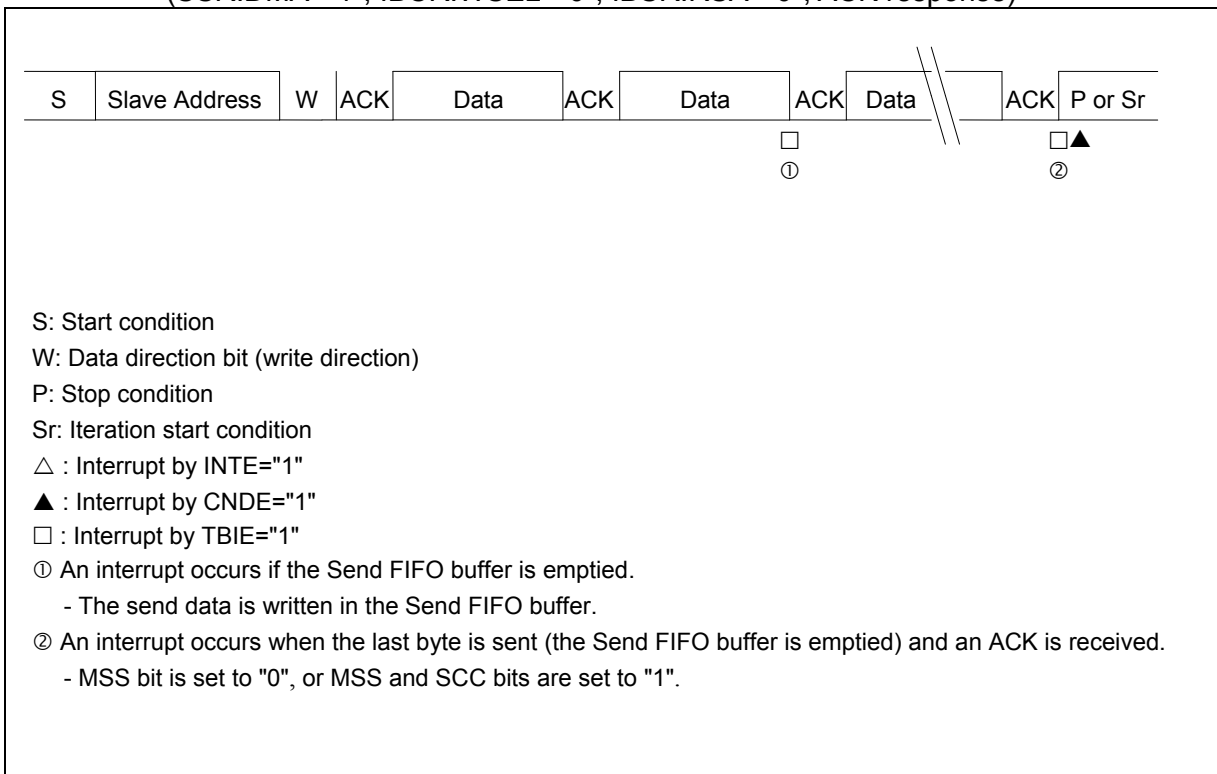


Figure 2-28 Master mode transmit interrupt 17 by enabling FIFO
 (SSR:DMA="1", IBCR:WSEL="1", IBSR:RSA="0")

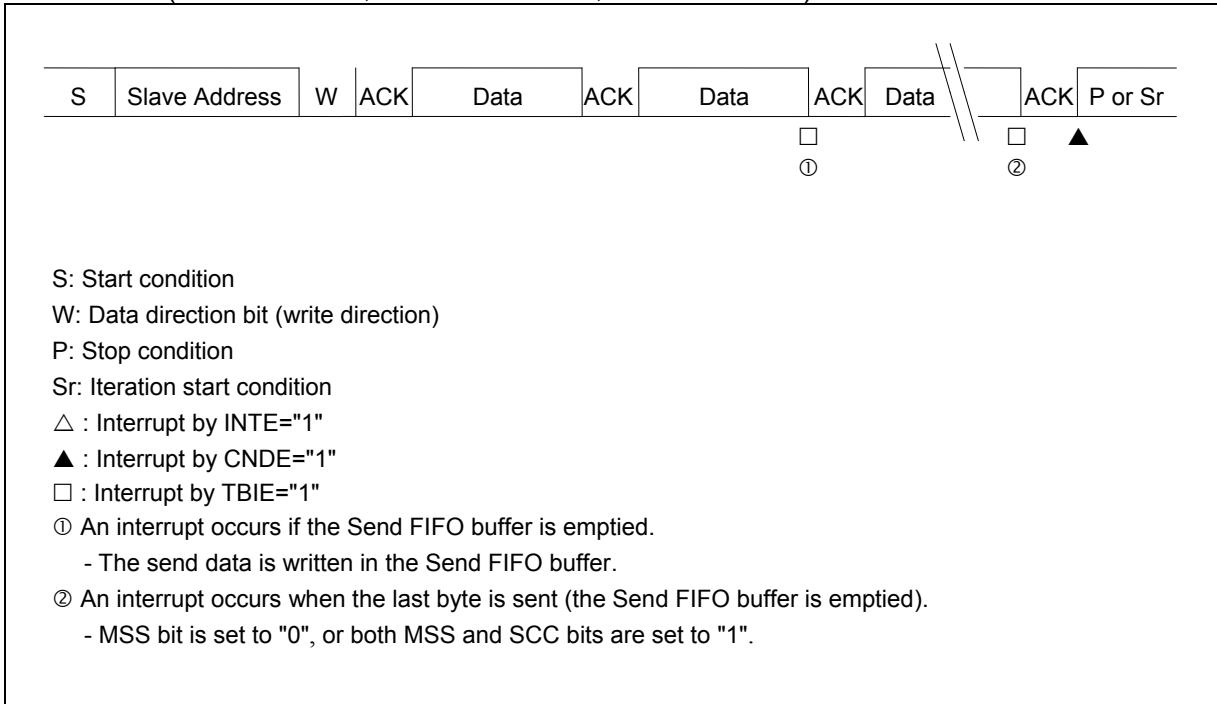
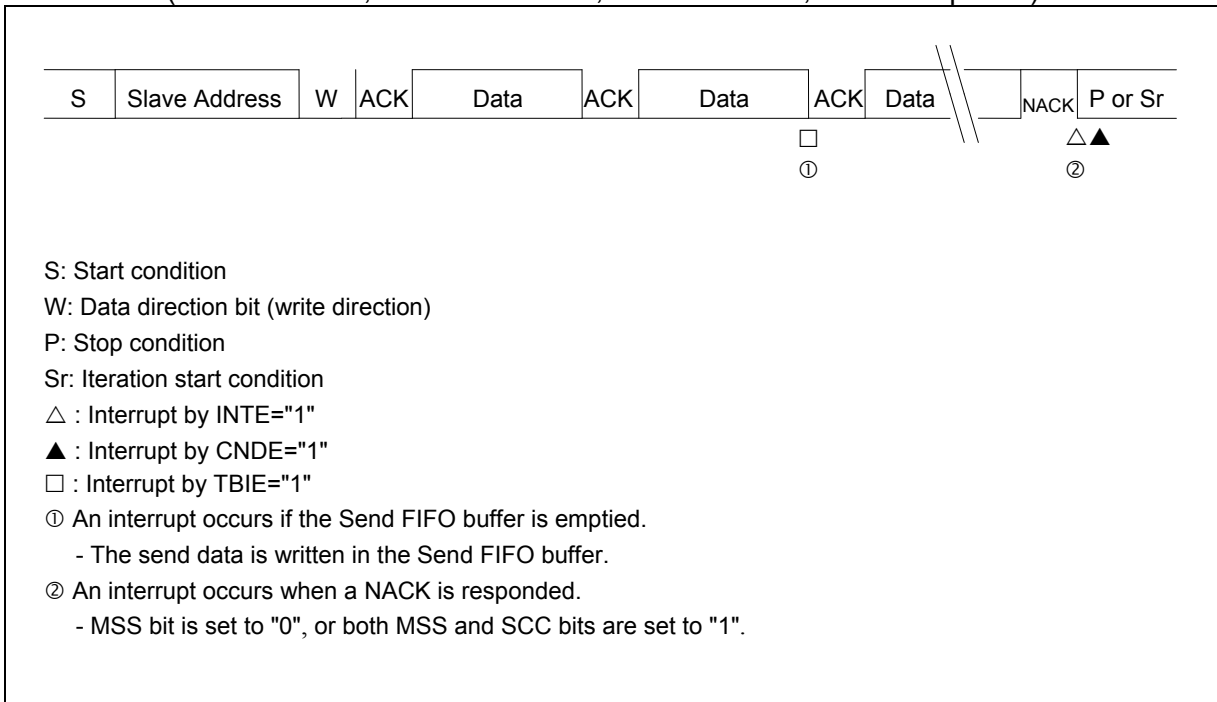


Figure 2-29 Master mode transmit interrupt 18 by enabling FIFO
 (SSR:DMA="1", IBCR:WSEL="1", IBSR:RSA="0", NACK response)



■ **Data reception by the master**

● **When DMA mode is disabled (SSR:DMA=0)**

When the data direction bit (R/W) is set to "1", the master receives data transmitted from a slave.

When FIFO is disabled, the master operates as follows.

- If the SSR:TDRE bit is set to "1", wait is generated (IBCR:INT=1, SSR:RDRF=1) each time one byte is received. At this time, an ACK or NACK response is returned, according to the setting of the ACKE bit in the IBCR register, before wait if the IBCR:WSEL bit is "1", and after wait if the IBCR:WSEL bit is "0".
- If the SSR:TDRE bit is set to "0", the next data is received without generating wait (IBCR:INT=0) when an ACK response is set for the ACKE bit in the IBCR register while wait is generated when the NACK response is set (IBCR:INT=1).

When FIFO is enabled, the SSR:RDRF bit is set to "1" upon reception of data in the same number of bytes set for the number of bytes to be received. The interrupt flag is set to "1" when the SSR:TDRE bit is "1", which puts the I²C bus in the wait state. At this time, acknowledgement operates as follows. Even if NACK is output, it is stored in received FIFO as received data.

- In case of IBCR:WSEL=0, an NACK response is returned when the SSR:TDRE bit is set to "1" if NACK is set for the ACKE bit.
- In case of IBCR:WSEL=1, the interrupt flag is set to "1" after receiving the final byte, which generates wait. During that wait, an ACK or NACK response is returned according to the IBCR:ACKE setting after the IBCR:ACKE bit is set and the interrupt flag is cleared to "0".

For interrupt-generated wait, refer to the following.

Table 2-6 IBCR:WSEL bit status for master data reception when DMA mode is disabled (SSR:DMA=0)

WSEL bit	Operation
0	After the second byte, after acknowledgement with "1" set for the SSR:TDRE bit, the interrupt flag (IBCR:INT) is set to "1" and SCL to LOW for the wait state.
1	After the second byte, after the master has received one-byte data with "1" set for the SSR:TDRE bit, the interrupt flag (IBCR:INT) is set to "1" and SCL to LOW for the wait state.

The following shows an example procedure for receiving data from a slave.

- When received FIFO is disabled:
 1. Sets Slave Address (including the data direction bit) to the TDR register and writes "1" to the IBCR:MSS bit.
 2. ACK is received after the Slave Address setting is transmitted, and then the interrupt flag (IBCR:INT) is set to "1".
 3. Writes "0" to the interrupt flag bit (IBCR:INT) upon updating of the IBCR:WSEL bit to release the wait state of the I²C bus.
 4. After receiving one byte, sets the interrupt flag to "1" to set the I²C bus in the wait state after transmitting acknowledgment in case of IBCR:WSEL=0 and directly after receiving one byte in case of IBCR:WSEL=1. Repeats steps 3 to 4 until all the specified number of data sets have been received.
 5. After receiving the last data, outputs NACK and sets the IBCR:MSS bit to "0" or sets the IBCR:SCC bit to "1" to generate the stop condition or iteration start condition.

- When transmit/received FIFO is enabled:
 1. Sets the number of bytes to be received to the FBYTE register.
 2. Writes Slave Address (including the data direction bit) and dummy data in the number of bytes to be received to the TDR register.
 3. Writes "1" to the IBCR:MSS bit.
 4. An ACK response is returned and data reception continues as long as the SSR:TDRE bit stays "0". During that reception operation, SSR:RDRF is set to "1" when the number of bytes set up in FBYTE have been received. When SSR:RDRF is set to "1", starts reading from the RDR register.
 5. When SSR:TDRE bit is "1", sets the interrupt flag to "1" to set the I²C bus in the wait state after outputting NACK if IBCR:WSEL=0, and directly after one-byte reception if IBCR:WSEL=1.
 6. In case of IBCR:WSEL=1, sets the IBCR:ACKE bit to "0". In case of IBCR:WSEL=0, no setting is needed for the IBCR:ACKE bit, Setting the IBCR:MSS bit to "0" or setting the IBCR:SCC bit to "1" generates the stop condition or iteration start condition.

● **When DMA mode is enabled (SSR:DMA=1)**

When the data direction bit (R/W) is set to "1", the master receives data transmitted from a slave.

When FIFO is disabled, the master operates as follows.

- If the SSR:TDRE bit is set to "1", wait is generated (SSR:TBI=1, SSR:RDRF=1) each time one byte is received. At this time, an ACK or NACK response is returned, according to the setting of the ACKE bit in the IBCR register, before wait if the IBCR:WSEL bit is "1", and after wait if the IBCR:WSEL bit is "0".
- If the SSR:TDRE bit is set to "0", wait is generated (SSR:RDRF=1) each time one byte is received. At this time, an ACK or NACK response is returned, according to the setting of the ACKE bit in the IBCR register, before wait if the IBCR:WSEL bit is "1", and after wait if the IBCR:WSEL bit is "0".

When FIFO is enabled, the SSR:RDRF bit is set upon reception of data in the same number of bytes set for the number of bytes to be received. The transmit bus idle flag (SSR:TBI) is set when the SSR:TDRE bit is "1", which puts the I²C bus in the wait state. At this time, acknowledgement operates as follows. Even if NACK is output, it is stored in received FIFO as received data.

- In case of IBCR:WSEL=0, an NACK response is returned when the SSR:TDRE bit is set to "1" if NACK is set for the ACKE bit.
- In case of IBCR:WSEL=1, wait is generated (SSR:TBI=1) after receiving the last byte. During that wait, the master sets the IBCR:ACKE bit and returns ACK or NACK response, according to the IBCR:ACKE setting, after clearing the transmit bus idle flag (SSR:TBI).

For interrupt-generated wait, refer to the following.

Table 2-7 IBCR:WSEL bit status for master data reception when DMA mode is enabled (SSR:DMA=1)

WSEL bit	Operation
0	After the second byte, after acknowledgement with "1" set for the SSR:TDRE bit, the transmit bus idle flag (SSR:TBI) is set to "1" and SCL to LOW for the wait state. After the second byte, after acknowledgement with received FIFO is unused, if the received data full flag (SSR:RDRF) is set to "1", SCL is set to LOW for the wait state.
1	After the second byte, after the master has received one-byte data with "1" set for the SSR:TDRE bit, the interrupt flag (SSR:TBI) is set to "1" and SCL to LOW for the wait state. After the second byte, after the received data full flag (SSR:RDRF) is set to "1" when received FIFO is not used, SCL is set to LOW for the wait state.

The following shows an example procedure for receiving data from a slave.

- When received FIFO is disabled:
 1. Sets Slave Address (including the data direction bit) to the TDR register and writes "1" to the IBCR:MSS bit.
 2. ACK is received after the Slave Address setting is transmitted, and then the transmit bus idle flag (SSR:TBI) is set to "1".
 3. Writes data to be transmitted to the TDR register to release the wait state of the I²C bus.
 4. After one byte is received, sets the transmit bus idle flag (SSR:TBI) and the received data full flag (SSR:RDRF)(*2) to "1" under the following conditions to put the I²C bus in the wait state.
 - In case of IBCR:WSEL=0, after transmitting acknowledgement
 - In case of IBCR:WSEL=1, after receiving one byte
 5. Updates the IBCR:WSEL bit, reads from the RDR register and writes dummy data to the TDR register.
 6. After one byte is received, sets the transmit bus idle flag (SSR:TBI) and the received data full flag (SSR:RDRF)(*2) to "1" under the following conditions to put the I²C bus in the wait state.
 - In case of IBCR:WSEL=0, after transmitting acknowledgement
 - In case of IBCR:WSEL=1, after receiving one byteRepeats steps 5 to 6 until all the specified number of data sets have been received.
 7. After receiving the last data, outputs NACK and sets the IBCR:MSS bit to "0" or sets the IBCR:SCC(*1) bit to "1" to generate the stop condition or iteration start condition.

- When transmit/received FIFO is enabled:
 1. Sets the number of bytes to be received to the FBYTE register.
 2. Writes Slave Address (including the data direction bit) and dummy data in the number of bytes to be received to the TDR register.
 3. In case of IBCR:WSEL=0, sets NACK for the ACKE bit, and writes "1" to the IBCR:MSS bit.
 4. An ACK response is returned and data reception continues as long as the SSR:TDRE bit stays "0". During that reception operation, SSR:RDRF is set to "1" when the number of bytes set up in FBYTE have been received. When SSR:RDRF is set to "1", starts reading from the RDR register.
 5. When the SSR:TDRE bit is set to "1", sets the interrupt flag to "1" to set the I²C bus in the wait state after outputting NACK if IBCR:WSEL=0. In case of IBCR:WSEL=1, directly after one byte is received, sets the transmit bus idle flag (SSR:TBI) to "1" to put the I²C bus in the wait state.
 6. In case of IBCR:WSEL=1, sets the IBCR:ACKE bit to "0". In case of IBCR:WSEL=0, no setting is needed for the IBCR:ACKE bit, Set the IBCR:MSS bit to "0" or set the IBCR:SCC(*1) bit to "1" to generate the stop condition or iteration start condition.

*1 : When DMA is enabled (SSR:DMA=1), the SSR:TBI bit is "1" and the IBCR:INT bit is "0", follow the steps below to issue the iteration start condition.

 1. Set the IBCR:INT bit to "1".
 2. Check that the IBCR:INT bit is set to "1".
 3. Write the slave address in the TDR.
 4. Set the IBCR:SCC bit to "1".

*2 : Directly after receiving one byte, the received data full flag (SSR:RDRF) is set to "1" regardless of the setting for IBCR:WSEL. When the received data full flag (SSR:RDRF) is set to "1" in the second byte or later, put the I²C bus in the wait state after transmitting acknowledgment in case of IBCR:WSEL=0, and directly after receiving one byte in case of IBCR:WSEL=1.

<Notes>

- When seven-bit slave address detection is enabled (ISBA:SAEN=1), it is prohibited to specify a seven-bit slave address in master mode.
 - When SSR:TDRE is "0", even if an overrun error occurs, acknowledgement is output according to the setting for the IBCR:ACKE bit, and then the next process should follow.
 - To change the IBCR register during transmission/reception, do so when the interrupt flag (IBCR:INT) is "1" or when the transmit bus idle flag (SSR:TBI) is "1" during DMA mode being enabled (SSR:DMA=1).
 - In the master mode reception with DMA disabled (SSR:DMA=0), write dummy data to the TDR register, and then, if the SSR:TDRE bit is "0" when the interrupt flag (IBCR:INT) is turned to "1", receive the next data with the interrupt flag (IBCR:INT) kept at "0".
 - In the master mode reception with DMA enabled (SSR:DMA=1), write dummy data to the TDR register, and then, if the SSR:TDRE bit is "0" when the transmit bus idle flag (SSR:TBI) is turned to "1", receive the next data with the transmit bus idle flag (SSR:TBI) kept at "0".
 - To receive data when received FIFO is enabled and IBCR:WSEL=0, the SSR:RDRF bit is set to "1" after receiving the last bit and the interrupt flag (IBCR:INT) is set to "1" after transmitting ACK.
-

Figure 2-30 Master mode received interrupt 1 by disabling FIFO
 (SSR:DMA="0", IBCR:WSEL="0", IBSR:RSA="0")

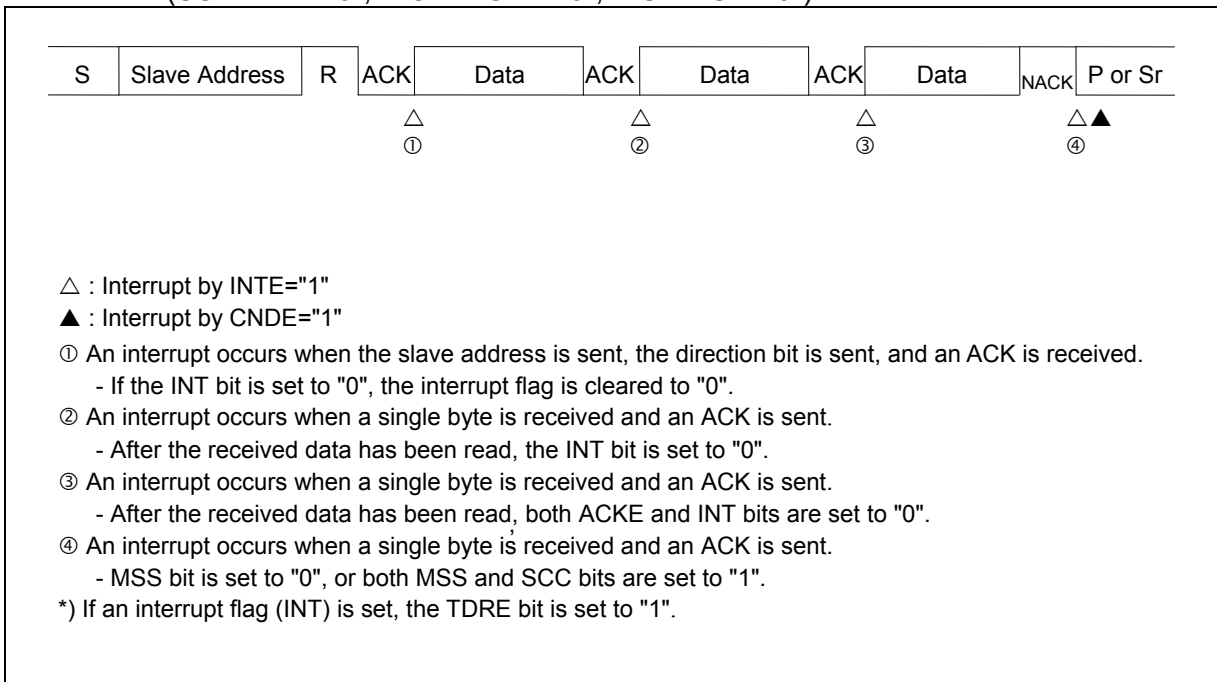


Figure 2-31 Master mode received interrupt 2 by disabling FIFO
 (SSR:DMA="0", IBCR:WSEL="1", IBSR:RSA="0")

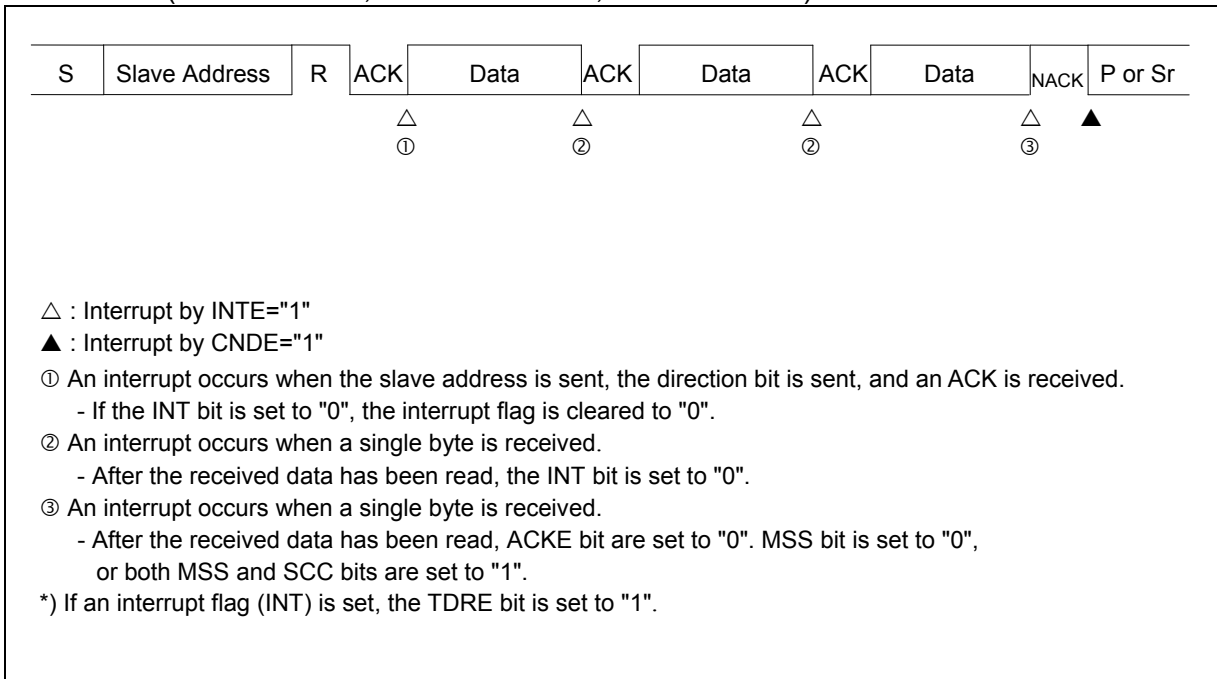


Figure 2-32 Master mode received interrupt 3 by enabling FIFO
 (SSR:DMA="0", IBCR:WSEL="0", IBCR:ACKE="0", IBSR:RSA="0")

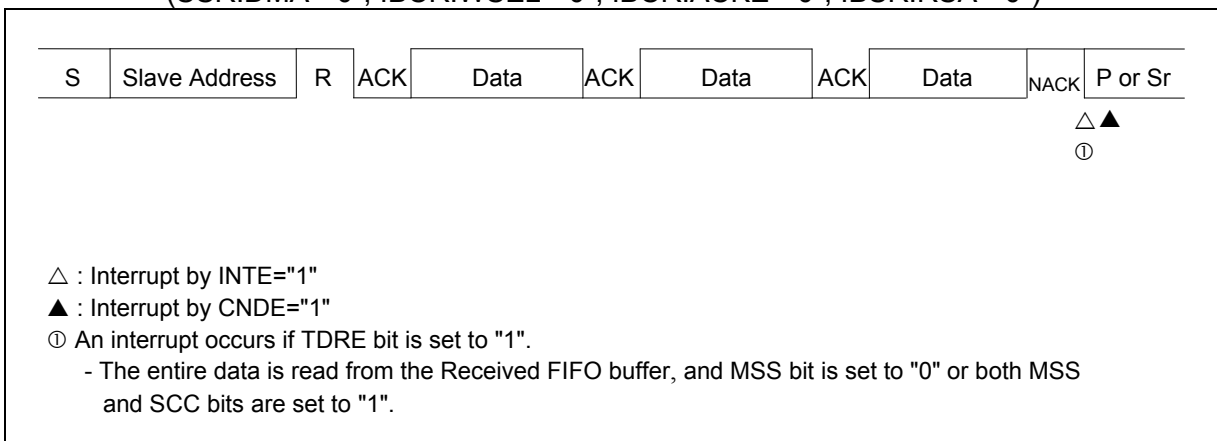


Figure 2-33 Master mode received interrupt 4 by enabling FIFO
 (SSR:DMA="0", IBCR:WSEL="1", IBSR:RSA="0")

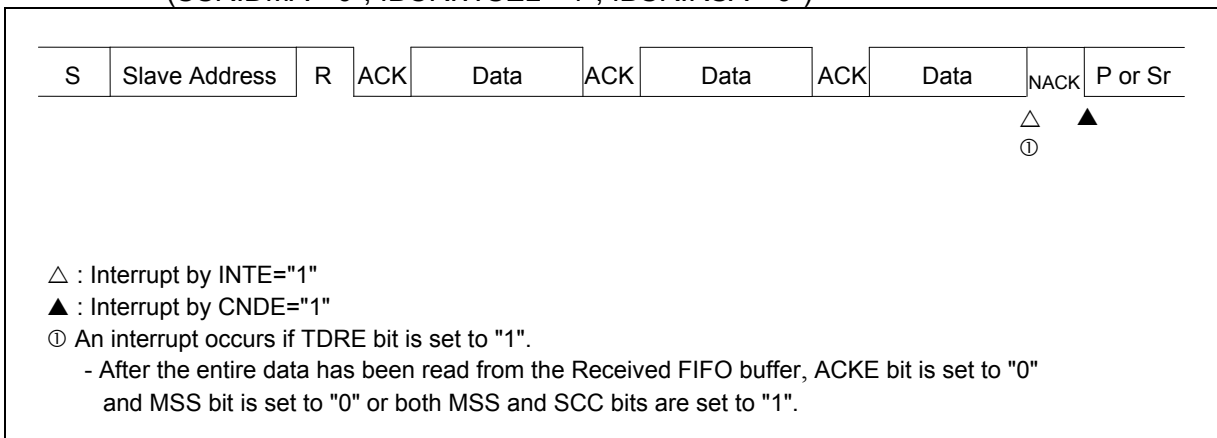


Figure 2-34 Master mode received interrupt 5 by disabling FIFO
 (SSR:DMA="1", IBCR:WSEL="0", IBSR:RSA="0")

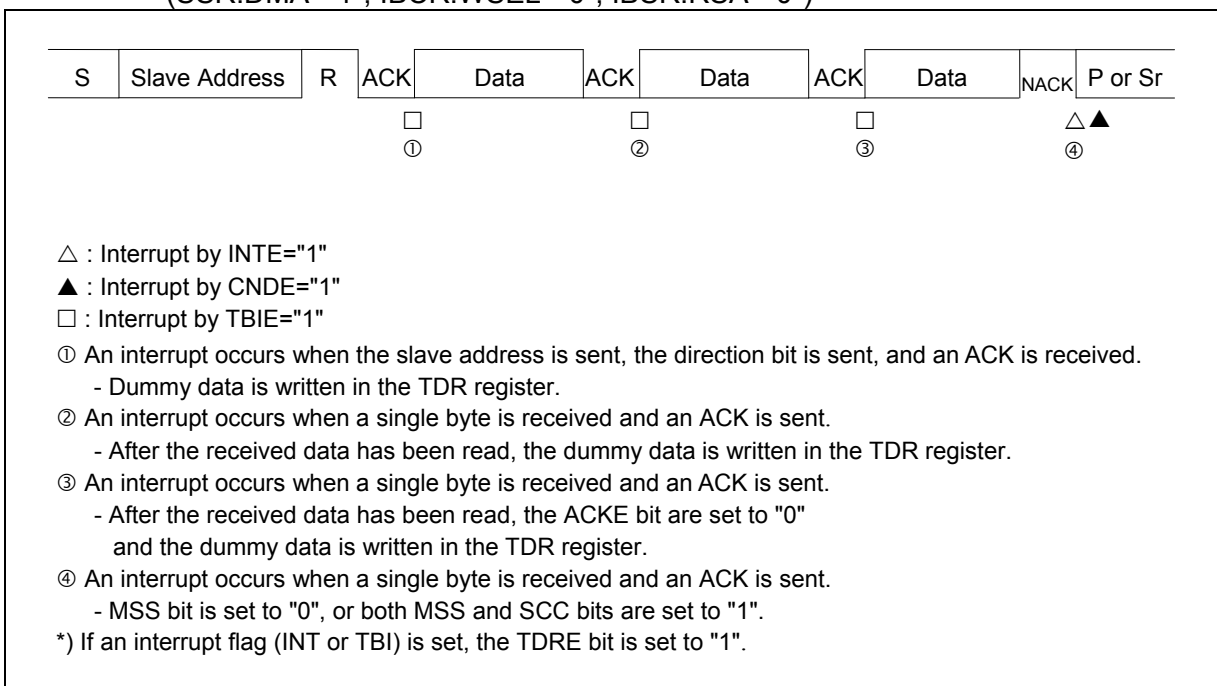


Figure 2-35 Master mode received interrupt 6 by disabling FIFO
 (SSR:DMA="1", IBCR:WSEL="1", IBSR:RSA="0")

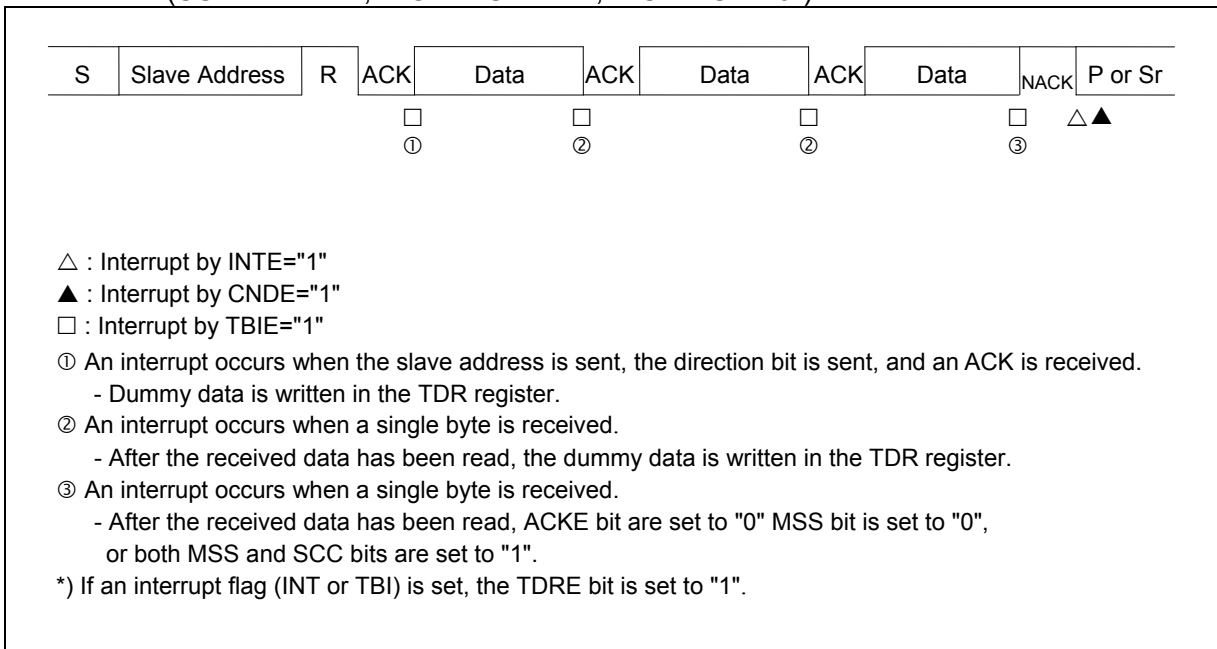


Figure 2-36 Master mode received interrupt 7 by enabling FIFO
 (SSR:DMA="1", IBCR:WSEL="0", IBCR:ACKE="0", IBSR:RSA="0")

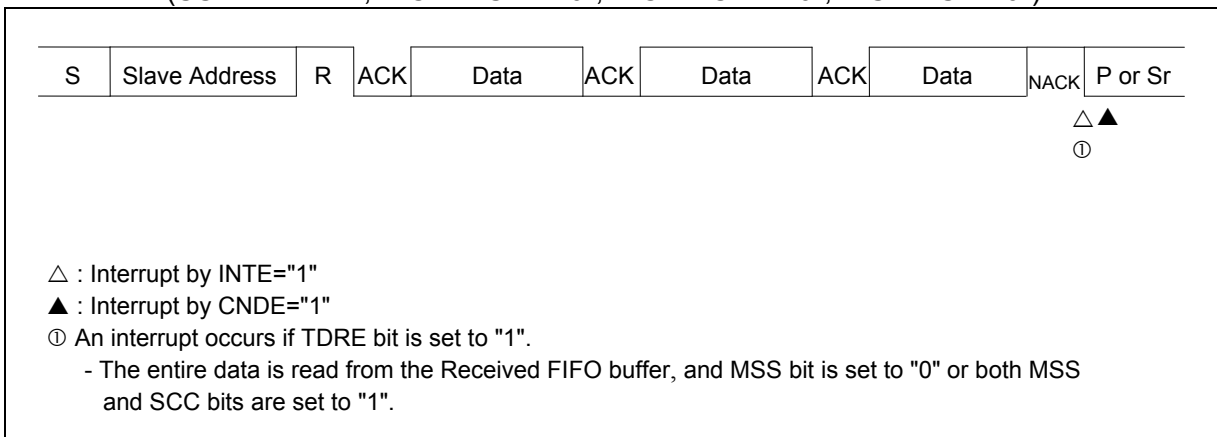
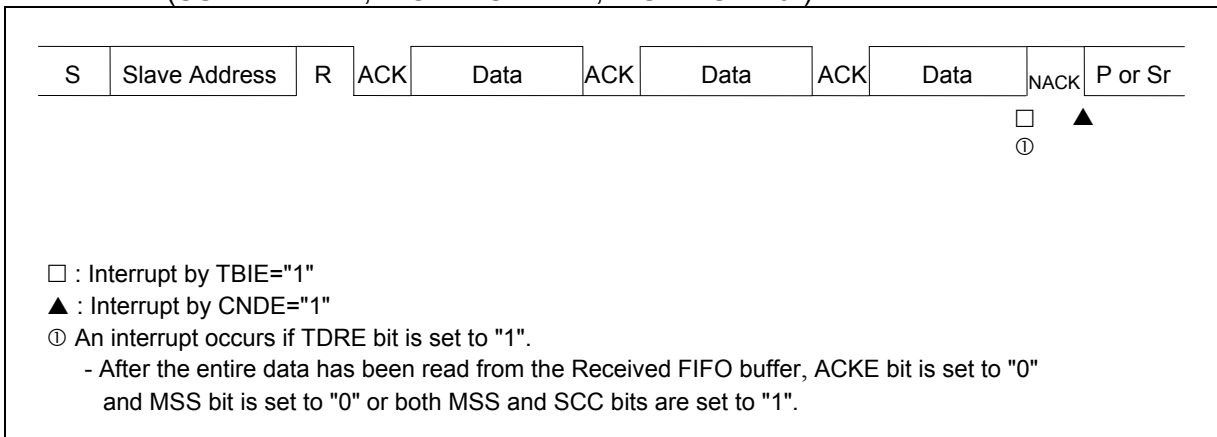


Figure 2-37 Master mode received interrupt 8 by enabling FIFO
 (SSR:DMA="1", IBCR:WSEL="1", IBSR:RSA="0")



■ Arbitration lost

If the master receives the data different from sent data, due to collision of data from another master, the master judges the situation as arbitration lost. At this time, the IBCR:MSS bit is set to "0" and the IBSR:AL bit to "1", enabling operation in slave mode.

The IBSR:AL bit can be cleared to "0" under the following conditions:

- The IBCR:MSS bit is set to "1".
- The IBCR:INT bit is set to "0".
- The IBSR:SPC bit is set to "0" when the IBSR:AL bit and IBSR:SPC bit are "1".
- The I²C interface operation is disabled (ISMK:EN=0).

Upon an occurrence of arbitration lost, the interrupt flag (IBCR:INT) is set to "1" according to the setting of the IBCR:WSEL bit, and sets SCL of the I²C bus to LOW.

■ Wait state for master mode

When both conditions below are satisfied, master mode is put in the wait state while the IBSR:BB bit stays "1". After the IBSR:BB bit attains "0", start condition is transmitted.

- When the IBCR:MSS is set to "1" while the IBSR:BB bit is "1"
- When the interface is not operating as a slave

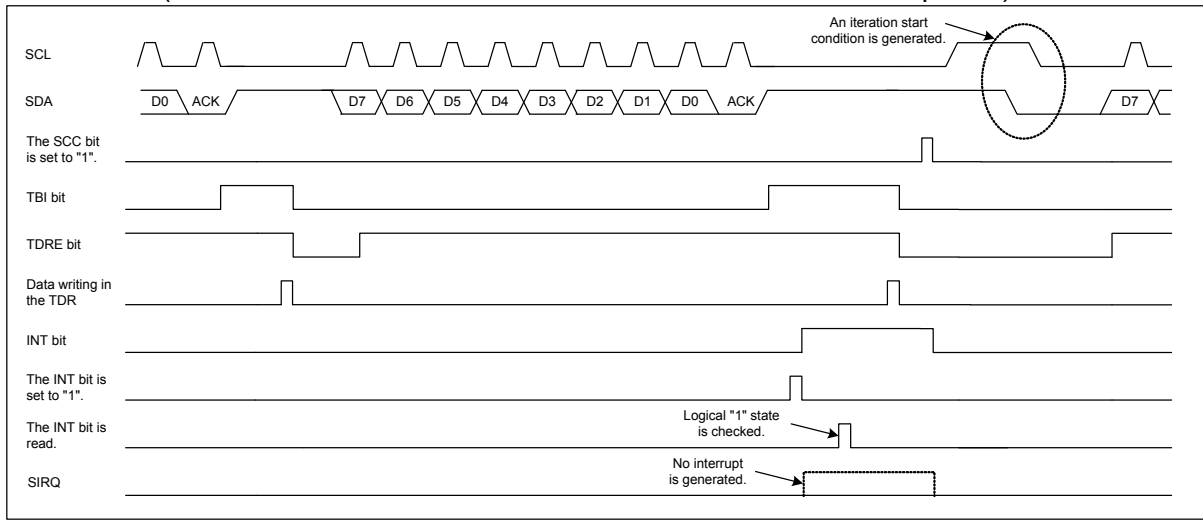
Refer to the IBCR:MSS bit and IBCR:ACT bit to check if master mode is in the wait state or not (in the wait state if the IBCR:MSS=1 and IBCR:ACT=0). After setting the IBCR:MSS bit to "1" and to operate in slave mode, set the IBSR:AL bit to "1", the IBCR:MSS bit to "0", and the IBCR:ACT bit to "1".

■ **Issuing iteration start condition when DMA mode is enabled (SSR:DMA=1)**

When writing a slave address to the TDR register while the transmit bus is idle (SSR:TBI=1) and the interrupt flag (IBCR:INT) is "0", transmission starts and the iteration start condition cannot be issued. Therefore, to issue the iteration start condition while the transmit bus is idle (SSR:TBI=1) and the interrupt flag (IBCR:INT) is "0", follow the steps below.

1. Set the IBCR:INT bit to "1". At this time, no SIRQ interrupt is generated.
2. Check that the IBCR:INT bit is set to "1".
3. Write the slave address in the TDR.
4. Issue the iteration start condition (IBCR:SCC=1).

Figure 2-38 Issuing iteration start condition when DMA mode is enabled
 (SSR:DMA="1", IBCR:WSEL="0", IBSR:RSA="0", ACK response)



2.3. Slave mode

If the (iteration) start condition is detected and a combination of the ISBA and ISMK registers matches the received address, the interface outputs an ACK response and acts in slave mode.

<Note>

When EIBCR:BEC set to "0", If a start condition is detected again while transferring address data after a start condition is detected or while transferring bit2 to bit19 (acknowledge bits), the next data cannot be received since a bus error (IBCR:BER = 1) is detected and reception is stopped. In such a case, a start condition must be retransmitted from the master after clearing the interrupt flag (IBCR:INT).

■ Slave address match detection

After the (iteration) start condition is detected, subsequent seven bits are received as the address. For each of the bits that are set to "1" in the ISMK register, the ISBA register is compared with the received address. If they match, ACK is output.

Table 2-8 Operation immediately after outputting acknowledgement to a slave address

Transmit FIFO	Received FIFO	Transmit FIFO status	Received FIFO status	Data direction bit (R/W)	Operation immediately after receiving acknowledgement	
					Acknowledgement: ACK	Acknowledgement: NACK
Disable	Disable	-	-	0	If the SSR:TDRE bit is set to "1", the interface sets the IBCR:INT bit to "1" and waits. If the SSR:TDRE bit is set to "0", IBCR:INT bit stays "0" without the wait state.	Holds the IBCR:INT bit to "0" without the wait state.
				1		
Disable	Enable	-	Without data	0	Holds the IBCR:INT bit to "0" without the wait state.	Holds the IBCR:INT bit to "0" without the wait state.
			With data		Sets the IBCR:INT bit to "1" with the wait state.	
			-	1	If the SSR:TDRE bit is set to "1", the interface sets the IBCR:INT bit to "1" and waits. If the SSR:TDRE bit is set to "0", IBCR:INT bit stays "0" without the wait state.	
Enable	Disable	-	-	0	If the SSR:TDRE bit is set to "1", the interface sets the IBCR:INT bit to "1" and waits. If the SSR:TDRE bit is set to "0", IBCR:INT bit stays "0" without the wait state.	Holds the IBCR:INT bit to "0" without the wait state.
				1		
Enable	Enable	-	Without data	0	Holds the IBCR:INT bit to "0" without the wait state.	Holds the IBCR:INT bit to "0" without the wait state.
			With data		Sets the IBCR:INT bit to "1" with the wait state.	
			-	1	If the SSR:TDRE bit is set to "1", the interface sets the IBCR:INT bit to "1" and waits. If the SSR:TDRE bit is set to "0", IBCR:INT bit stays "0" without the wait state.	

- Detection of reserved address

If the first byte matches the reserved address ("0000xxxx" or "1111xxxx"), the value of 8th bit is received regardless of whether or not transmit/received FIFO is enabled, and the IBCR:INT bit is set to "1", causing the I²C bus to be placed into the wait state. After the received data has been read, configure the following settings.

- To run the interface as a slave device, set the IBCR:ACKEN bit to "1" and check the value of the data direction bit (IBSR:TRX). If the transmitting direction is set, write the transmit data to TDR, and clear the IBCR:INT bit. The interface then acts as a slave device.
- When not running the interface as a slave device, set the IBCR:ACKEN bit to "0", and clear the IBCR:INT bit. After acknowledgement has been output, the interface does not act as a slave device.

■ Data direction bit

After receiving the address, the interface receives the data direction bit to determine whether to transmit or receive data. If this bit is "0", it means that data is transmitted from the master device, and the interface receives data as a slave device.

■ Reception in slave mode

If the received data matches the slave address and the data direction bit is "0", it means that data is received in slave mode. The following shows a procedure example to receive data in slave mode.

● When DMA mode is disabled (SSR:DMA=0)

- When received FIFO is disabled:
 1. After transmitting ACK, set the interrupt flag (IBCR:INT) to "1", and place the I²C bus into the wait state. Based on the IBCR:MSS, IBCR:ACT, and IBSR:FBT bits, judge that the event is an interrupt by a slave address match. Then write "1" to the IBCR:ACKE bit and "0" to the interrupt flag (IBCR:INT), and release the wait state of the I²C bus (see Table 2-8).
 2. After receiving 1-byte data, set the interrupt flag (IBCR:INT) to "1" according to setting of the IBCR:WSEL bit, and place the I²C bus into the wait state.
 3. Read the data received from the RDR register, set the IBCR:ACKE bit, write "0" to the interrupt flag (IBCR:INT), and release the wait state of the I²C bus.
 4. Repeat steps 2 and 3 to detect the stop or iteration start condition.

- When received FIFO is enabled:
 1. If NACK is detected or received FIFO becomes full, the interrupt flag (IBCR:INT) is set to "1", and the I²C bus is placed into the wait state. If the stop or iteration start condition is detected, the interrupt flag (IBCR:INT) is not set to "1" (the I²C bus is not placed into the wait state) by setting the IBSR:SPC and IBSR:RSC bits to "1". Received FIFO sets the SSR:RDRF bit to "1" when the set value of the FBYTE register matches the number of data sets received. If the SMR:RIE bit is then "1", a received interrupt is generated.
 2. When the interrupt flag (IBCR:INT) is set to "1", read the received data from the RDR register. After all data has been read, write "0" to the interrupt flag to release the wait state of the I²C bus. If the stop or iteration start condition is detected, read all the received data from the RDR register, and clear the IBSR:SPC or IBSR:RSC bit to "0".

● When DMA mode is enabled (SSR:DMA=1)

- When received FIFO is disabled:
 1. After transmitting ACK, set the interrupt flag (IBCR:INT) to "1", and place the I²C bus into the wait state. Based on the IBCR:MSS, IBCR:ACT, and IBSR:FBT bits, judge that the event is an interrupt by a slave address match. Then write "1" to the IBCR:ACKE bit and "0" to the interrupt flag (IBCR:INT), and release the wait state of the I²C bus (see Table 2-8).
 2. Set "1" to the received data full flag (SSR:RDRF) immediately after receiving 1-byte data. When the received data full flag (SSR:RDRF) is set to "1", if IBCR:WSEL=0, place the I²C bus into the wait state after transmitting acknowledgement. If IBCR:WSEL=1, place the I²C bus into the wait state immediately after receiving the 1-byte data.
 3. After setting the IBCR:ACKE bit, read the data received from the RDR register, and clear the received data full flag (SSR:RDRF) to "0" to release the wait state of the I²C bus.
 4. Repeat steps 2 and 3 to detect the stop or iteration start condition.

- When received FIFO is enabled:
 1. If NACK is detected, the interrupt flag (IBCR:INT) is set to "1", and the I²C bus is placed into the wait state. When received FIFO becomes full, place the I²C bus into the wait state. If the stop or iteration start condition is detected, the IBSR:SPC and IBSR:RSC bits are set to "1", and the interrupt flag (IBCR:INT) is not set to "1" (the I²C bus is not placed into the wait state). Received FIFO sets the SSR:RDRF bit to "1" when the set value of the FBYTE register matches the number of data sets received. If the SMR:RIE bit is then "1", a received interrupt is generated.
 2. When the interrupt flag (IBCR:INT) is set to "1", read the received data from the RDR register. After all data has been read, write "0" to the interrupt flag to release the wait state of the I²C bus. When received FIFO is full, release the wait state of the I²C bus if the received data is read from the RDR register even once. If the stop or iteration start condition is detected, read all the received data from the RDR register, and clear the IBSR:SPC or IBSR:RSC bit to "0".

Figure 2-39 Slave mode received interrupt 1 by disabling FIFO
 (SSR:DMA="0", IBCR:WSEL="0", IBSR:RSA="0")

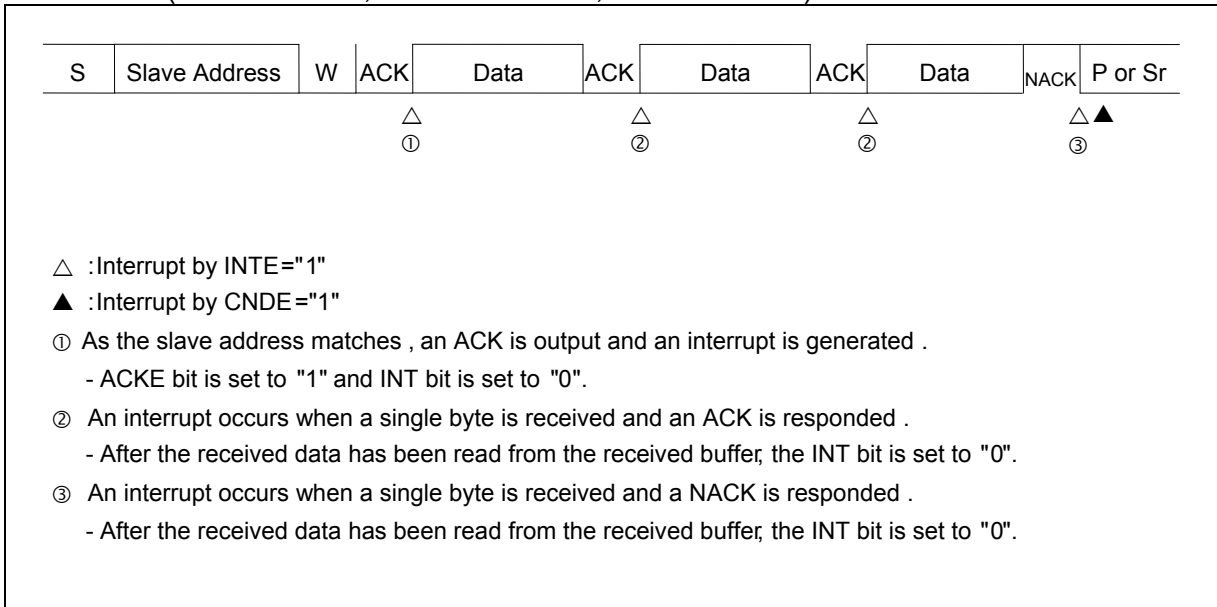


Figure 2-40 Slave mode received interrupt 2 by disabling FIFO
 (SSR:DMA="0", IBCR:WSEL="1", IBSR:RSA="0")

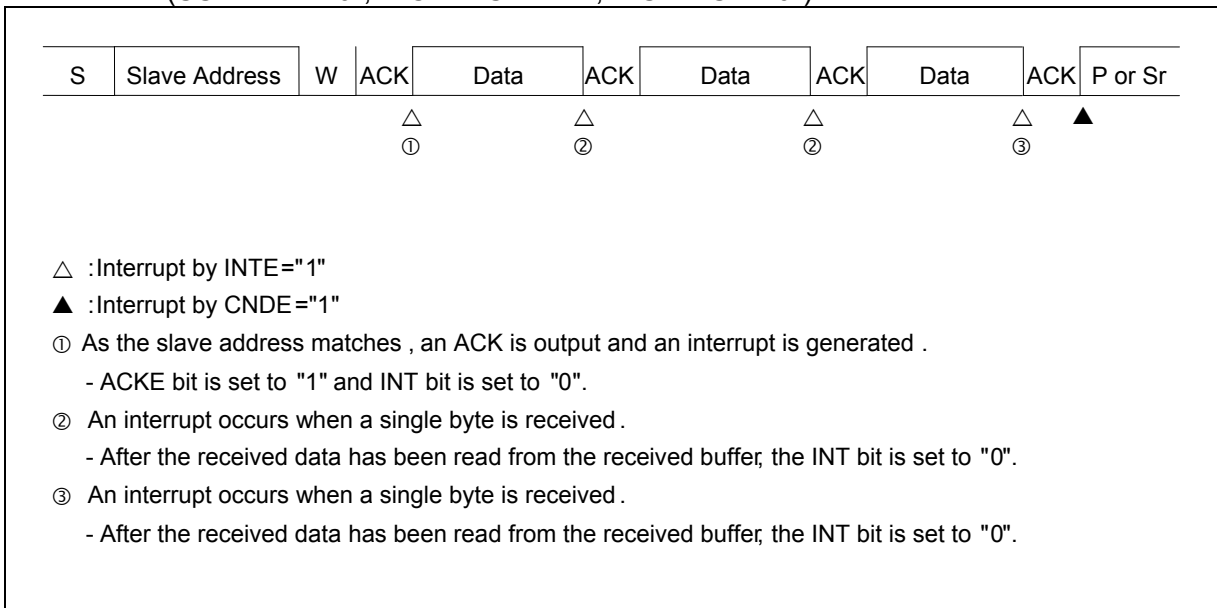


Figure 2-41 Slave mode received interrupt 3 by disabling FIFO
 (SSR:DMA="0", IBCR:WSEL="1", IBSR:RSA="0")

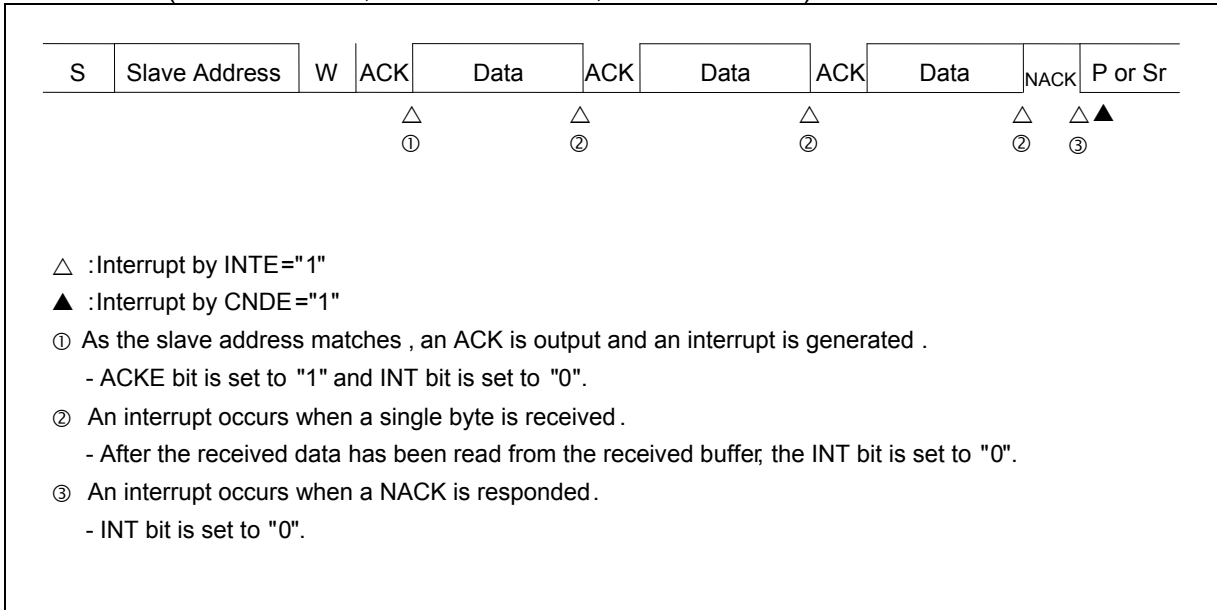


Figure 2-42 Slave mode received interrupt 4 by enabling received FIFO
 (SSR:DMA="0", IBSR:RSA="0")

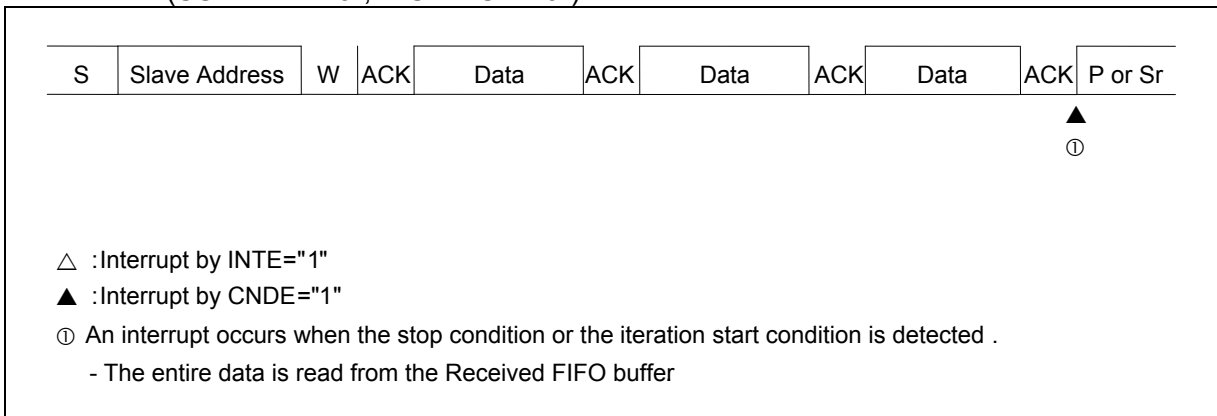


Figure 2-43 Slave mode received interrupt 5 by enabling received FIFO
 (SSR:DMA="0", IBSR:RSA="0")

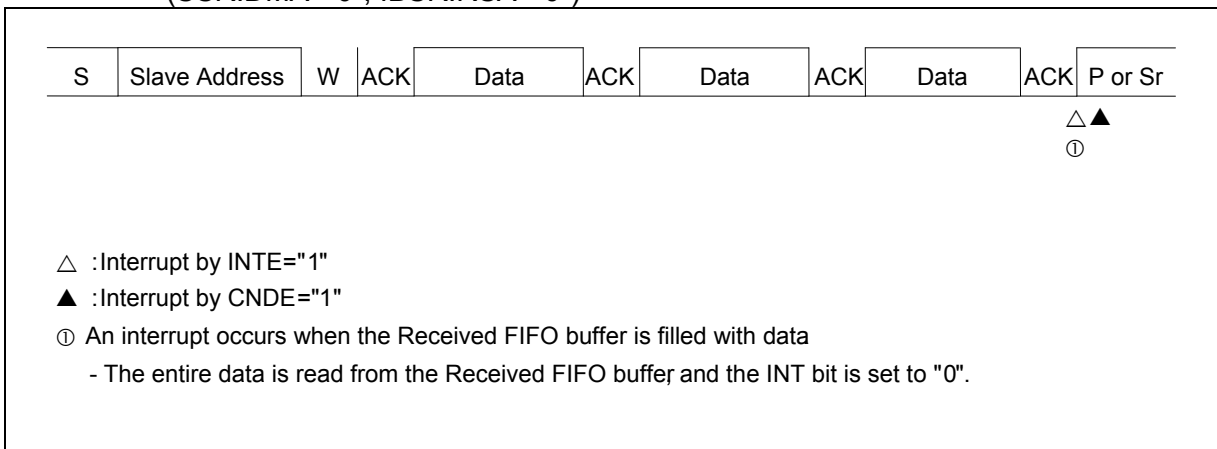


Figure 2-44 Slave mode received interrupt 6 by disabling FIFO
 (SSR:DMA="0", IBCR:WSEL="0", IBSR:RSA="1")

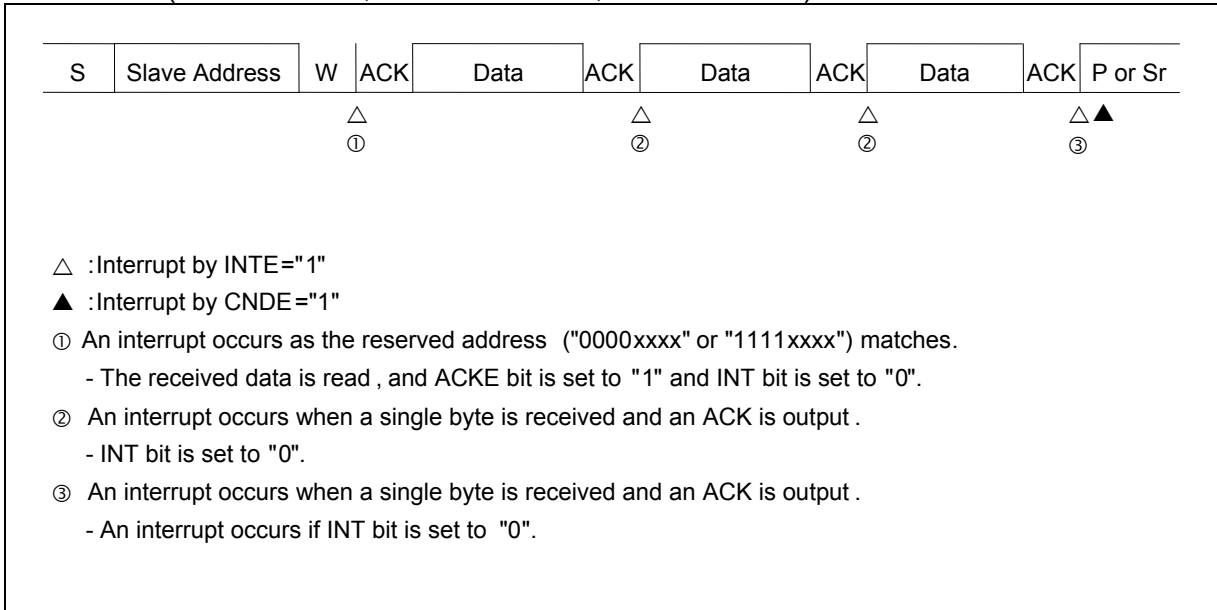


Figure 2-45 Slave mode received interrupt 7 by disabling FIFO
 (SSR:DMA="1", IBCR:WSEL="0", IBSR:RSA="0")

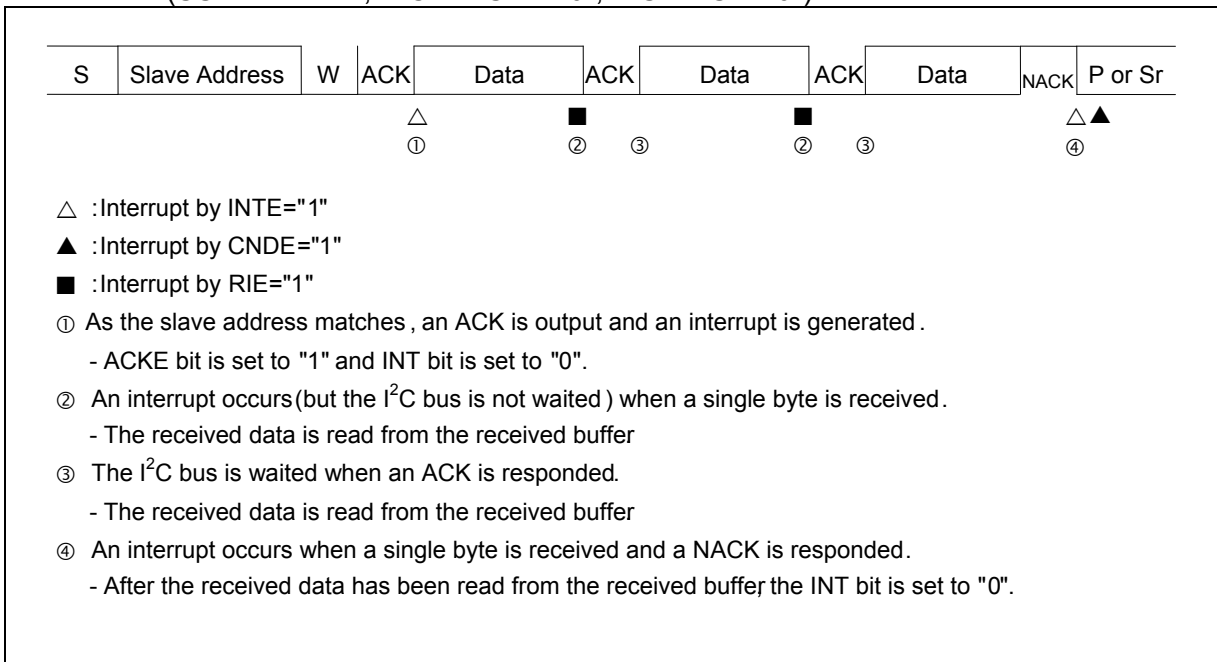


Figure 2-46 Slave mode received interrupt 8 by disabling FIFO
 (SSR:DMA="1", IBCR:WSEL="1", IBSR:RSA="0")

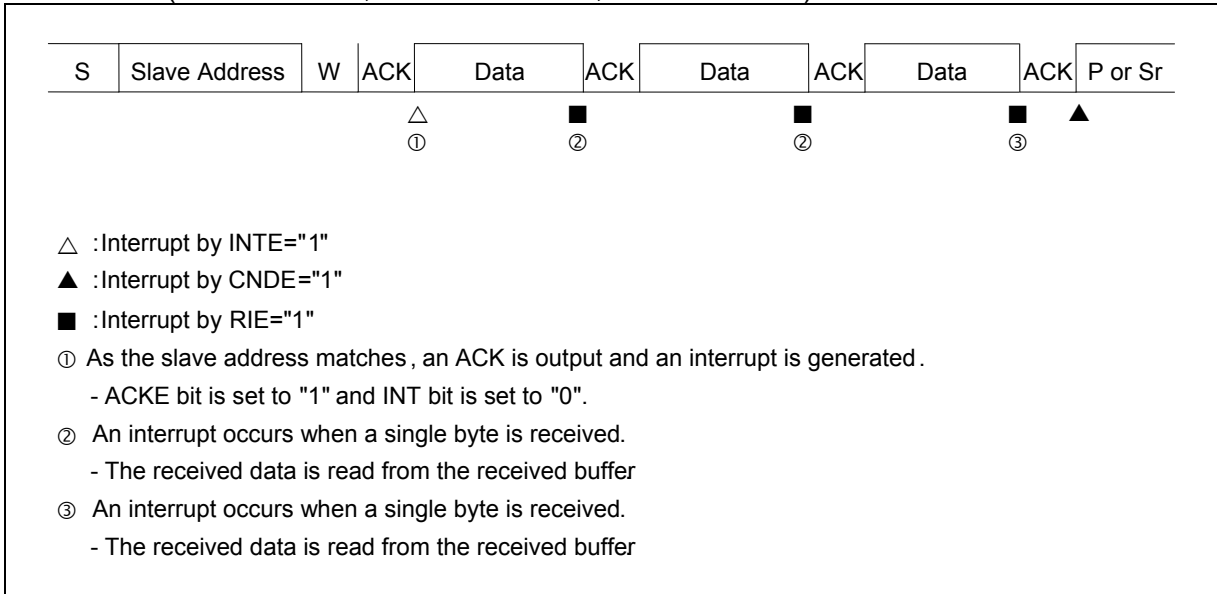


Figure 2-47 Slave mode received interrupt 9 by disabling FIFO
 (SSR:DMA="1", IBCR:WSEL="1", IBSR:RSA="0")

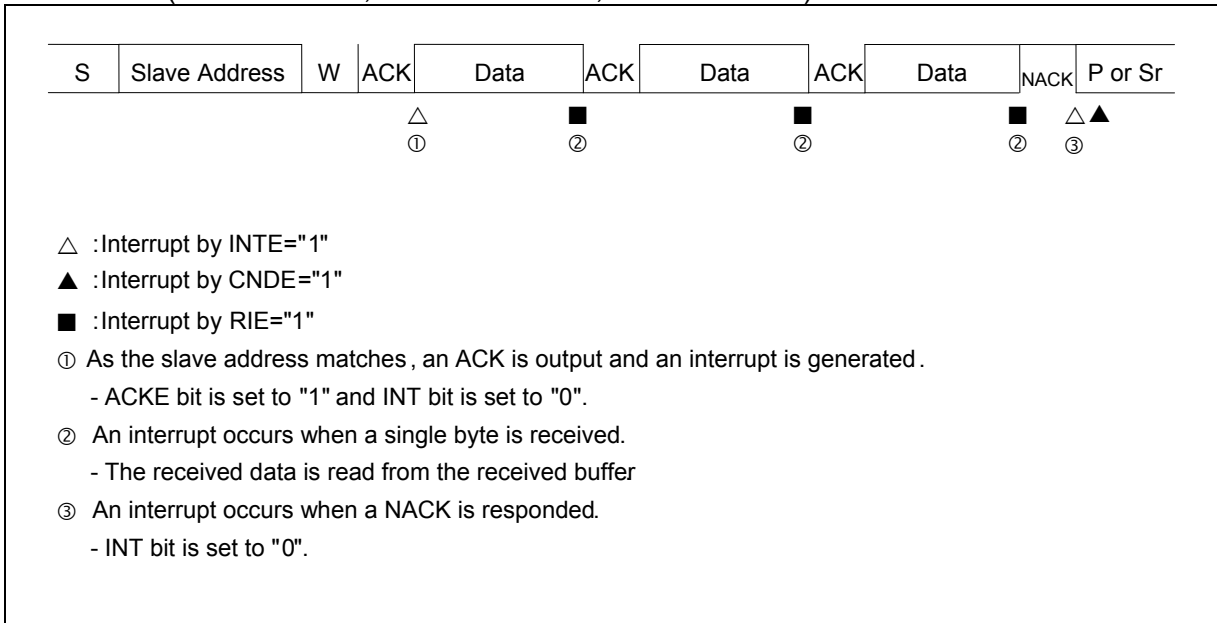


Figure 2-48 Slave mode received interrupt 10 by enabling received FIFO
 (SSR:DMA="1", IBSR:RSA="0")

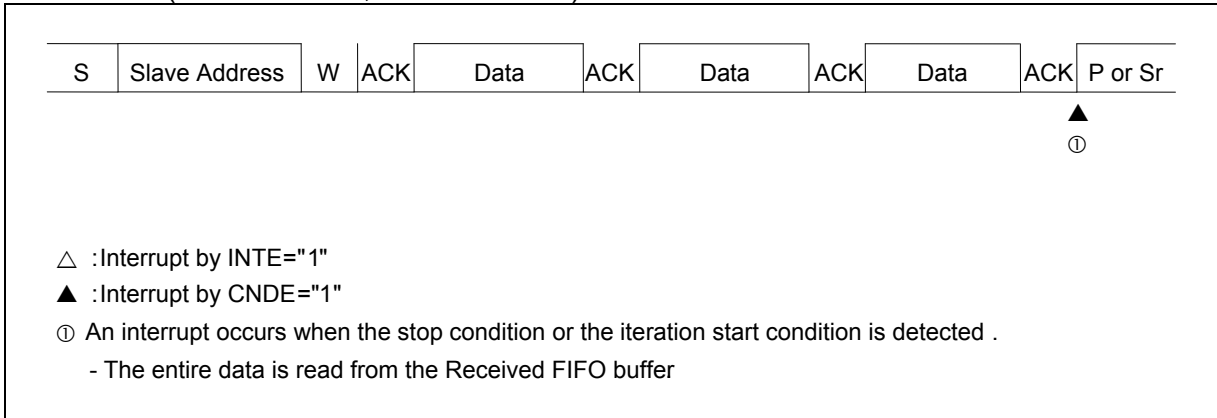


Figure 2-49 Slave mode received interrupt 11 by enabling received FIFO
 (SSR:DMA="1", IBSR:RSA="0")

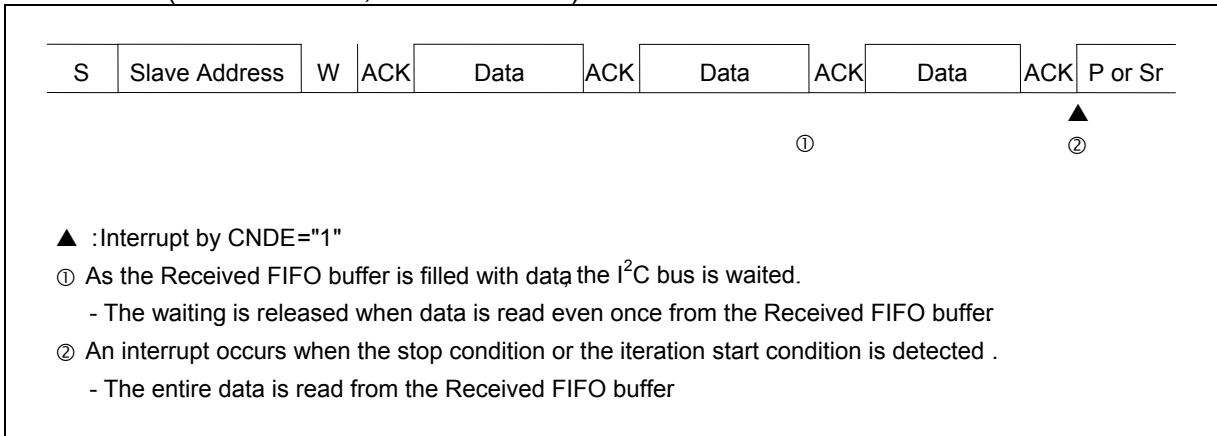
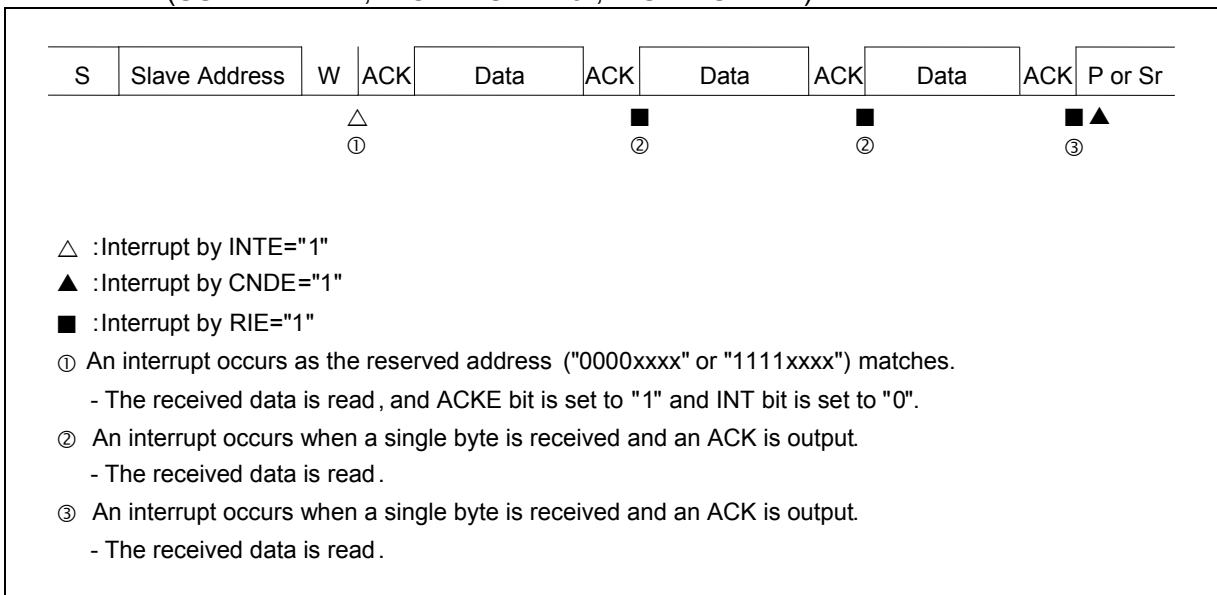


Figure 2-50 Slave mode received interrupt 12 by disabling FIFO
 (SSR:DMA="1", IBCR:WSEL="0", IBSR:RSA="1")



■ **Transmission in slave mode**

If the received data matches the slave address and the data direction bit is "1", it means that data is transmitted in slave mode. If FIFO is disabled, set the interrupt flag (IBCR:INT) to "1" after transmitting one byte or outputting an acknowledgement response depending on setting of the IBCR:WSEL bit. Then place the I²C bus into the wait state (see Table 2-8).

Using the IBSR:RACK bit, check the acknowledgement output from the master device. If NACK response is returned from the master device, it means that the master device could not receive data correctly or data receiving was ended. If NACK is detected at IBCR:WSEL=1, an interrupt is generated to place the I²C bus into the wait state.

2.4. Bus error

If the stop or (iteration) start condition is detected while transmitting or receiving data on the I²C bus, it is handled as a bus error.

■ Bus error occurrence condition

If a bus error occurs, the IBCR:BER bit is set to "1" in the following conditions.

- The (iteration) start or stop condition is detected while transferring the first byte.
- The (iteration) start condition or stop condition is detected at bit2 to bit9 (acknowledgement) of data.

■ Bus error operation

● EIBCR:BEC=0

If the interrupt flag (IBCR:INT) is set to "1" by transmitting or receiving data, check the IBCR:BER bit. When the IBCR:BER bit is "1", perform error processing. The IBCR:BER bit is cleared by writing "0" to the IBCR:INT bit.

If a bus error occurs, the IBCR:INT bit is set to "1"; however, the I²C bus is not placed into the wait state by setting its SCL to LOW.

● EIBCR:BEC=1

If the interrupt flag (IBCR:SPC or IBCR:RSC) is set to "1" by transmitting or receiving data, check the IBCR:BER bit. When the IBCR:BER bit is "1", perform error processing. The IBCR:BER bit is cleared by flowing operations.

- When IBCR:INT=1, write "0" in IBCR:INT.
- When IBCR:SPC=1, write "0" in IBCR:SPC.
- When IBCR:RSC=1, write "0" in IBCR:RSC.

3. Dedicated Baud Rate Generator

The dedicated baud rate generator configures the setting of the serial clock frequency.

■ Selecting the baud rate

● Baud rate obtained by dividing an internal clock using the dedicated baud rate generator (reload counter)

This generator provides two internal reload counters, which support transmitting and receiving serial clocks respectively. To select the baud rate, specify the 15-bit reload value using Baud Rate Generator Registers 1 and 0 (BGR1 and BGR0).

Each reload counter divides an internal clock by the set value.

■ Calculating the baud rate

Two 15-bit reload counters are set using the Baud Rate Generator Registers 1 and 0 (BGR1 and BGR0). The baud rate is obtained in the following formulas.

(1) Reload value

$$V = \phi / b - 1$$

V: Reload value b: Baud rate ϕ : Bus clock frequency or external clock frequency

Note that the preset baud rate may not be generated at a rising edge of signal on I²C bus. In such case, adjust the reload value.

(2) Calculation example

To set the 16 MHz bus block and 400 kbps baud rate, set the reload value as follows.

Reload value:

$$V = (16 \times 1000000) / 400000 - 1 = 39$$

Therefore, the baud rate is:

$$b = (16 \times 1000000) / (39 + 1) = 400 \text{ kbps}$$

<Notes>

- Write Baud Rate Generator Registers 1 and 0 (BGR1 and BGR0) by 16-bit access operation.
- When the ISMK:EN bit in the ISMK register is "0", set the value of each Baud Rate Generator Register.
- In operation mode 4 (I²C mode), operate the bus clock at a frequency no lower than 8 MHz. Also note that setting of a baud rate generator that exceeds 400 kbps is prohibited.
- If the reload value is set to "0", the reload counter is stopped.

■ **Reload values and baud rates for each bus clock frequency**

Table 3-1 Reload values and baud rates

Baud rate [bps]	8 MHz	10 MHz	16 MHz	20 MHz	24 MHz	32 MHz
	Value	Value	Value	Value	Value	Value
1000000	setting is prohibited.					
400000	19	24	39	49	59	79
200000	39	49	79	99	119	159
100000	79	99	159	199	239	319

Baud rate [bps]	40 MHz	48 MHz	72 MHz	80 MHz
	Value	Value	Value	Value
1000000	setting is prohibited		71	79
400000	99	119	179	199
200000	199	239	359	399
100000	399	479	719	799

The numeric values above are available when the SCL rising timing of the I²C bus is 0s. If the SCL rising timing of the I²C bus is late, the baud rate is set to the value later than the numeric values above.

For frequencies not described in Table 3-1, calculate them by using the formulas in "Calculating the baud rate" of 3. "Dedicated Baud Rate Generator". (However, for the maximum frequency, see the Data Sheet" of the product used because it differs depending on products.)

■ **Functions of reload counter**

Each reload counter consists of a 15-bit register for the reload value, and generates transmitting and receiving clocks from internal clocks. The count value of the transmit reload counter can be read from the Baud Rate Generator Registers (BGR1 and BGR0).

■ **Starting counting**

When the reload value is written to the Baud Rate Generator Register (BGR1 or BGR0), the reload counter starts counting.

4. I²C communication operation flowchart examples

This section shows I²C communication operation flowchart examples.

■ I²C flowchart example (FIFO not used) when DMA mode is disabled (SSR:DMA=0)

Figure 4-1 I²C flowchart example (FIFO not used) when DMA mode is disabled (SSR:DMA=0) 1/3

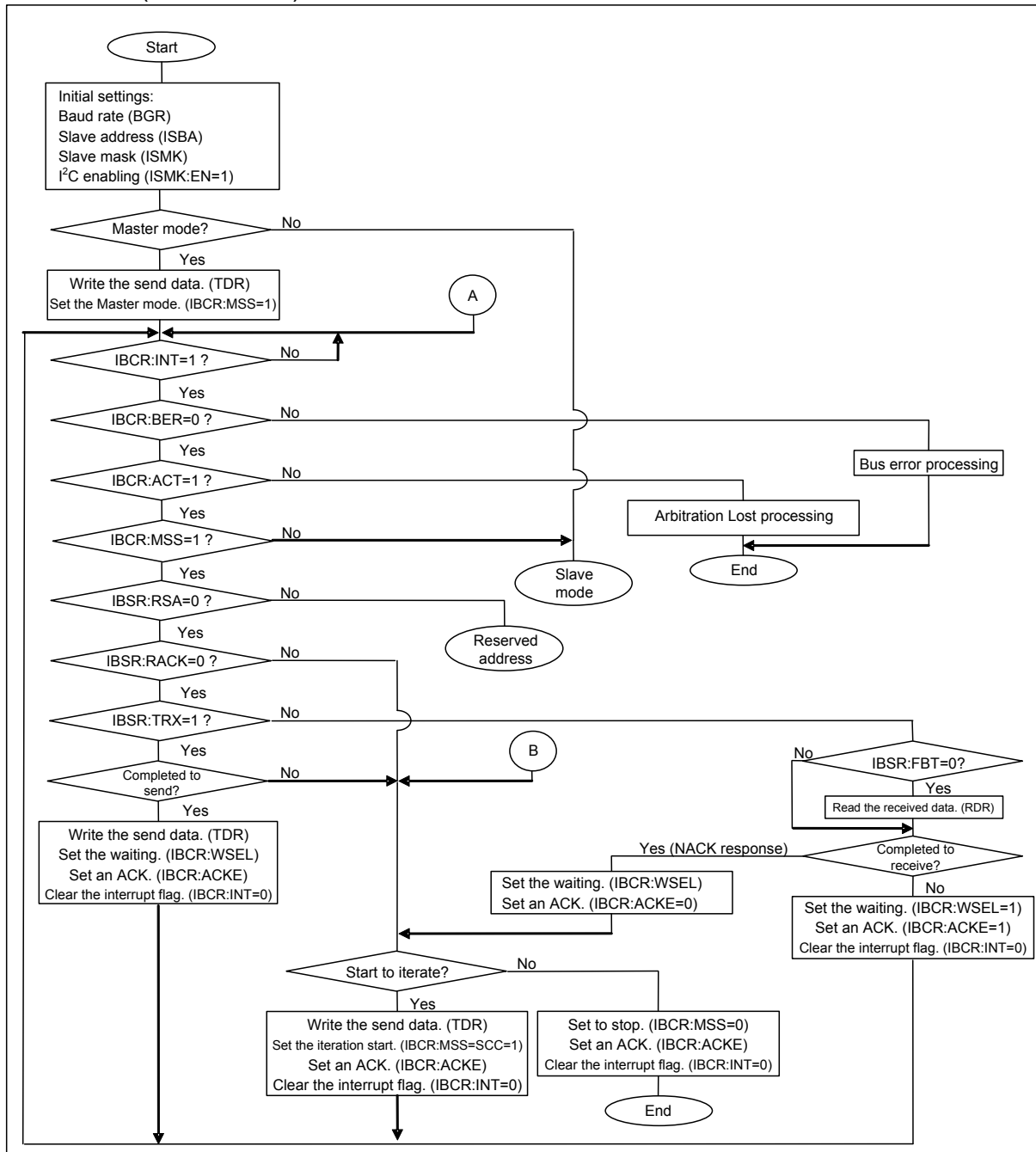


Figure 4-2 I²C flowchart example (FIFO not used) when DMA mode is disabled
 (SSR:DMA=0) 2/3

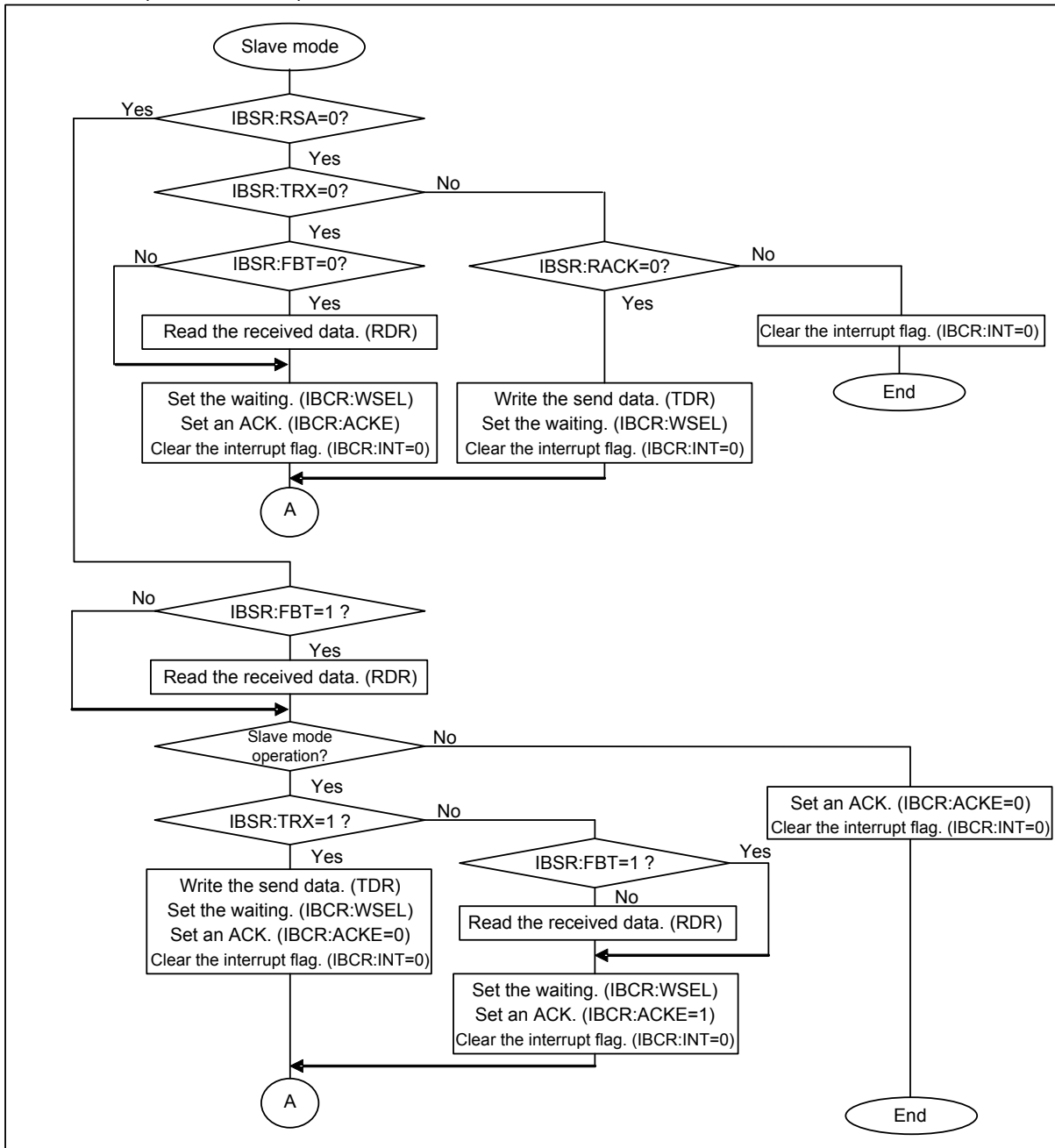
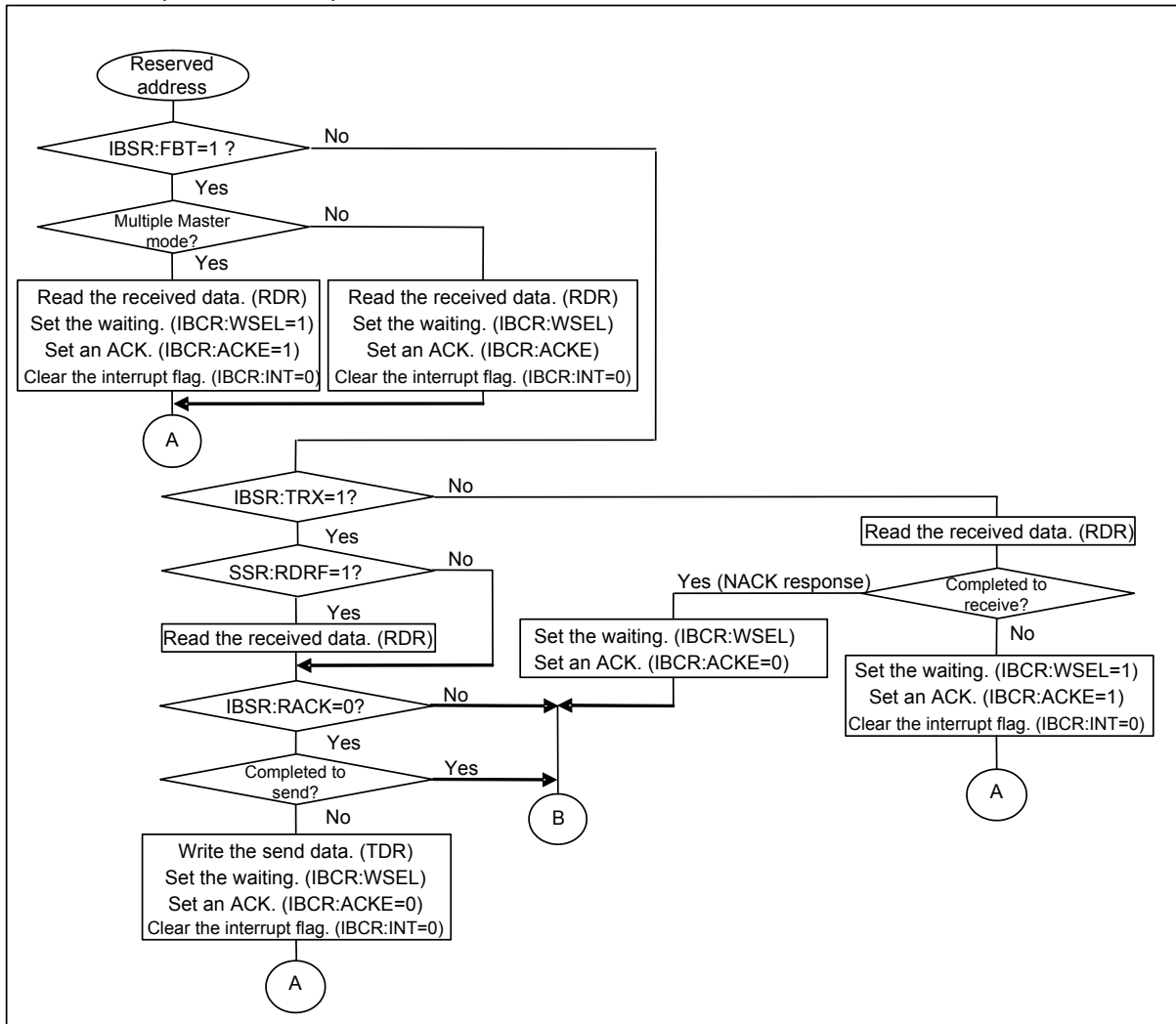


Figure 4-3 I²C flowchart example (FIFO not used) when DMA mode is disabled
 (SSR:DMA=0) 3/3



■ I²C flowchart examples (FIFO not used) when DMA mode is enabled (SSR:DMA=1)

Figure 4-4 I²C flowchart example (FIFO not used) when DMA mode is enabled (SSR:DMA=1) 1/4

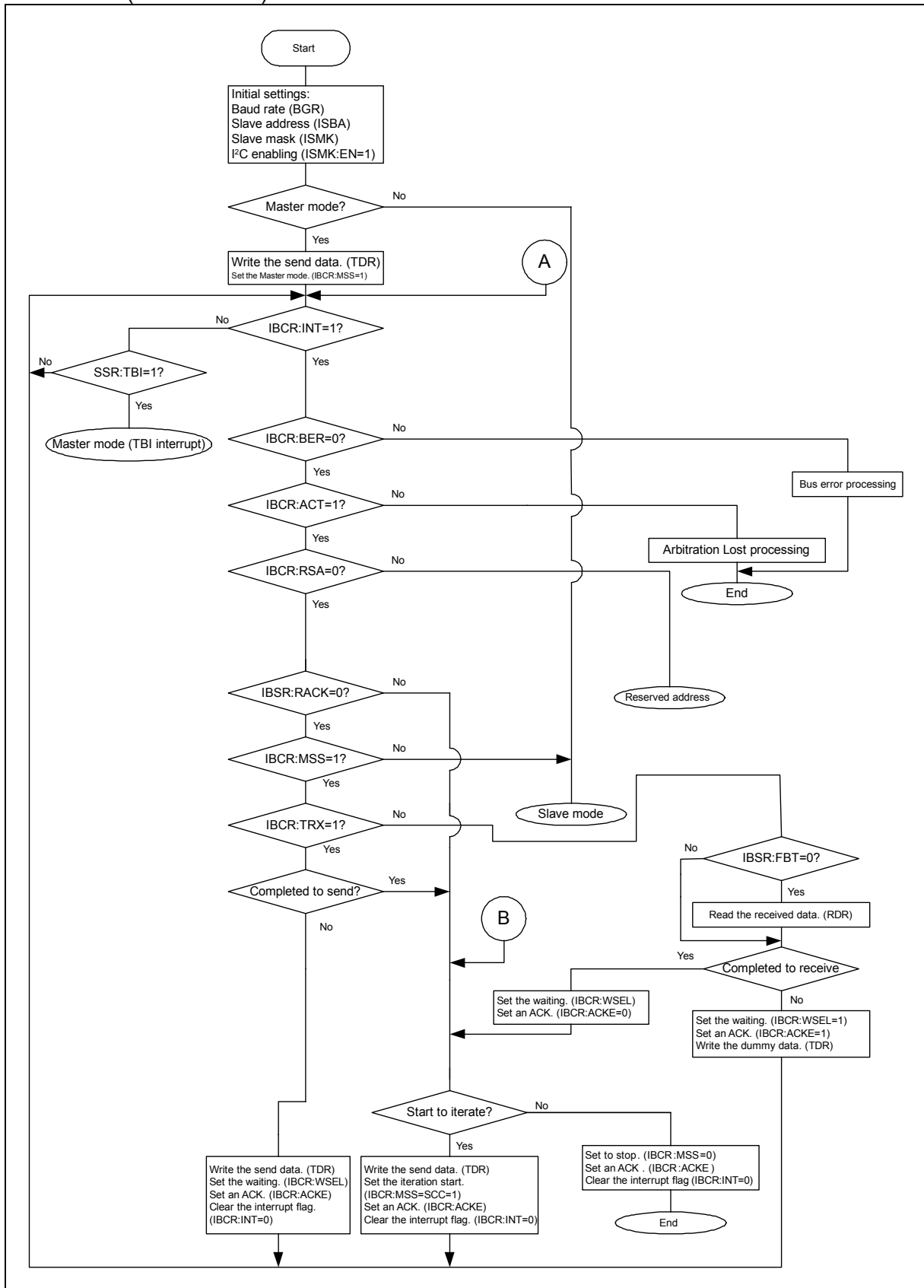


Figure 4-5 I²C flowchart example (FIFO not used) when DMA mode is enabled
 (SSR:DMA=1) 2/4

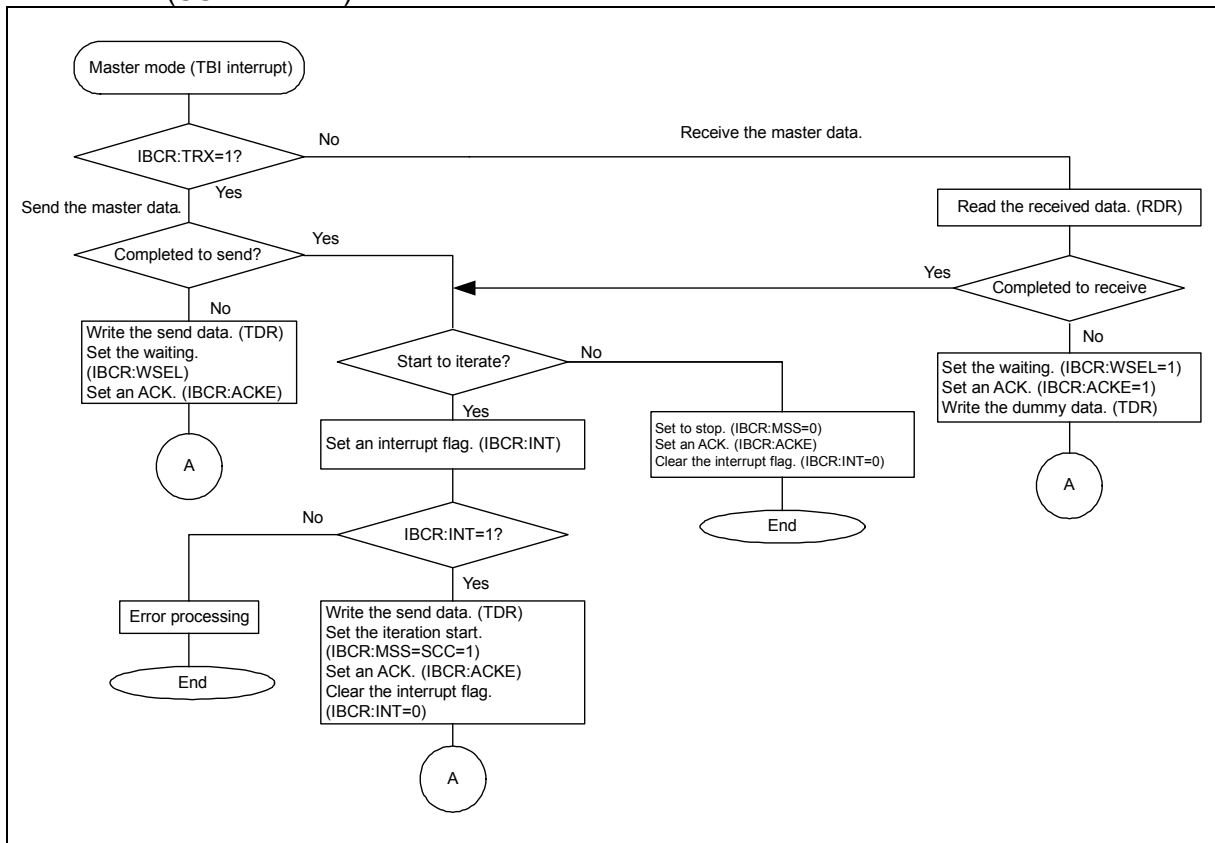


Figure 4-6 I²C flowchart example (FIFO not used) when DMA mode is enabled
 (SSR:DMA=1) 3/4

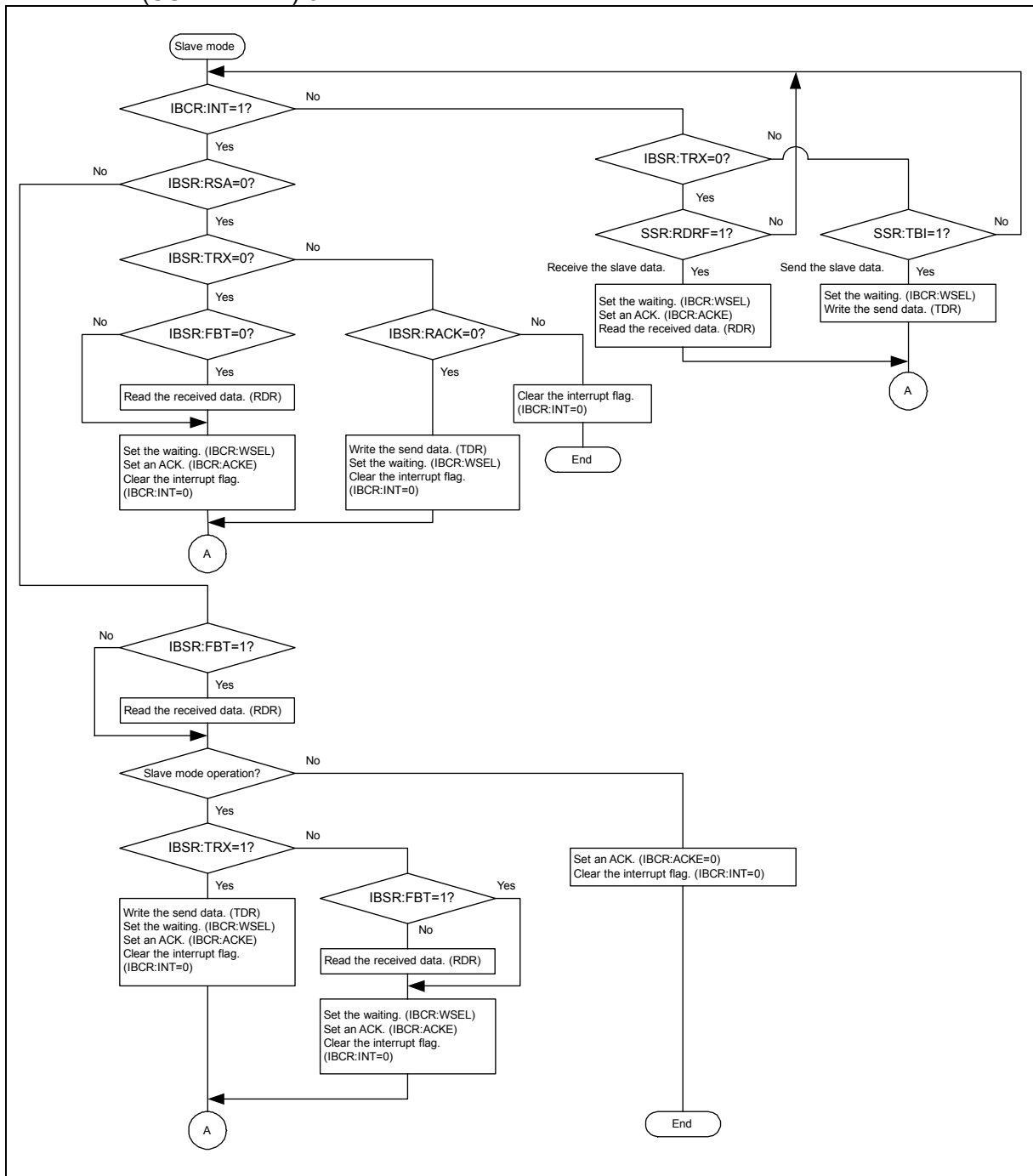
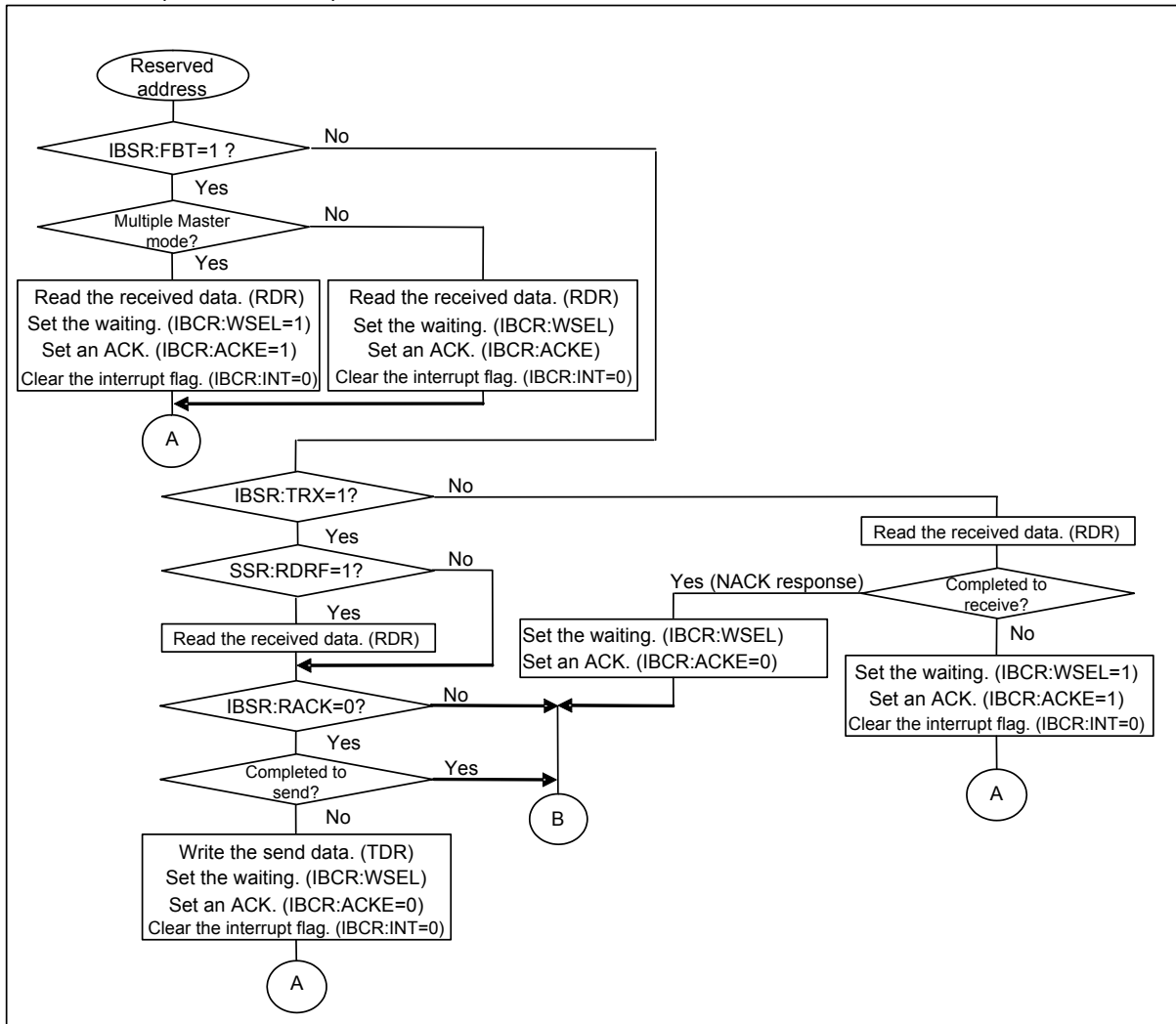


Figure 4-7 I²C flowchart example (FIFO not used) when DMA mode is enabled
 (SSR:DMA=1) 4/4



<Note>

The flow shows an outline of operation settings in I²C mode. To perform the appropriate operations, take into account error processing based on applications.

5. I²C Interface Registers

The following lists the I²C interface registers.

■ List of I²C interface registers

Table 5-1 List of I²C interface registers

	bit15	bit8	bit7	bit0
I ² C	IBCR (I ² C Bus Control Register)		SMR (Serial Mode Register)	
	SSR (Serial Status Register)		IBSR (I ² C Bus Status Register)	
	-		RDR/TDR (Transmit/Received Data Register)	
	EIBCR (Extension I ² C Bus control Register)		NFCR (Noise Filter Control Register)	
	BGR1 (Baud Rate Generator Register 1)		BGR0 (Baud Rate Generator Register 0)	
	ISMK (7-bit Slave Address Mask Register)		ISBA (7-bit Slave Address Register)	
FIFO	FCR1 (FIFO Control Register 1)		FCR0 (FIFO Control Register 0)	
	FBYTE2 (FIFO2 Byte Register)		FBYTE1 (FIFO1 Byte Register)	

Table 5-2 I²C Interface bit assignment

	bit15	bit14	bit13	bit12	bit11	bit10	bit9	bit8	bit7	bit6	bit5	bit4	bit3	bit2	bit1	bit0
IBCR/ SMR	MSS	ACT/ SCC	ACKE	WSEL	CNDE	INTE	BER	INT	MD2	MD1	MD0	-	RIE	TIE	-	-
SSR/ IBSR	REC	TSET	DMA	TBIE	ORE	RDRF	TDRE	TBI	FBT	RACK	RSA	TRX	AL	RSC	SPC	BB
TDR1/ TDR0	-	-	-	-	-	-	-	-	D7	D6	D5	D4	D3	D2	D1	D0
EIBCR/ NFCR	-	-	SDAS	SCLS	SDAC	SCLC	SOCE	BEC	-	-	-	NFT4	NFT3	NFT2	NFT1	NFT0
BGR1/ BGR0	-	B14	B13	B12	B11	B10	B9	B8	B7	B6	B5	B4	B3	B2	B1	B0
ISMK/ ISBA	EN	SM6	SM5	SM4	SM3	SM2	SM1	SM0	SAEN	SA6	SA5	SA4	SA3	SA2	SA1	SA0
FCR1/ FCR0	-	-	-	FLSTE	FRIIE	FDRQ	FTIE	FSEL	-	FLST	FLD	FSET	FCL2	FCL1	FE2	FE1
FBYTE2/ FBYTE1	FD15	FD14	FD13	FD12	FD11	FD10	FD9	FD8	FD7	FD6	FD5	FD4	FD3	FD2	FD1	FD0

5.1. I²C Bus Control Register (IBCR)

The I²C Bus Control Register (IBCR) is used to select master or slave mode, generate an iteration start condition, enable an acknowledgement, enable an interrupt, and display an interrupt flag.

bit	15	14	13	12	11	10	9	8	7	...	0
Field	MSS	ACT/ SCC	ACKE	WSEL	CNDE	INTE	BER	INT	(SMR)		
Attribute	R/W	R/W	R/W	R/W	R/W	R/W	R	R/W			
Initial value	0	0	0	0	0	0	0	0			

[bit15] MSS: Master/slave select bit

- If this bit is set to "1" when the I²C bus is in idle state (ISMK:EN=1, IBSR:BB=0), master mode is selected.
- If this bit is set to "1" when the BB bit of IBSR register is "1", the occurrence of start condition is waited until the IBSR:BB bit is set to "0". If the slave address matches and the slave operation is started during waiting, this bit is set to "0" and the AL bit of IBSR register is set to "1".
- When master mode is selected (MSS=1, ACT=1) and the interrupt flag (INT) is "1", a stop condition is generated when this bit is set to "0".

The MSS bit is cleared in any of the following conditions.

1. When the I²C interface operation is disabled (ISMK:EN=0)
2. When an arbitration lost occurs
3. When a bus error is detected (BER=1) and when EIBCR:BEC=0.
4. When the MSS bit is set to "0" if INT=1
5. When DMA mode is enabled (SSR:DMA=1), SSR:TBI=1, and when the MSS bit is set to "0"

The following provides the relationship between MSS and ACT bits.

MSS bit	ACT bit	State
0	0	Idle
0	1	The slave address matching or ACK is responded to the reserved address (*1), and slave mode is in operation (in slave mode).
1	0	The master mode operation is waited.
1	1	During master mode operation (in master mode)

*1) ACK response: The SDA is LOW on the I²C bus during acknowledgement.

bit	Description
0	Selects slave mode.
1	Selects master mode.

<Notes>

- If DMA mode is disabled (SSR:DMA=0) and the MSS bit is set to "1", the MSS bit must be set to "0" only when the MSS bit is "1" and the INT bit is "1". If the MSS bit is set to "0" when the ACT bit is "1", the INT bit is also cleared to "0".
- If DMA mode is enabled (SSR:DMA=1) and the MSS bit is set to "1", the MSS bit must be set to "0" only when the MSS bit is "1" and the INT bit is "1", or the SSR:TBI bit is "1". If the MSS bit is set to "0" when the ACT bit is "1", the INT bit is also cleared to "0".
- When master mode is selected, the MSS bit is read to be "1" even when it is set to "0" while the ACT bit is "1".

[bit14] ACT/SCC : Operation flag/iteration start condition generation bit

This bit setting has a different meaning when it is written and read.

Reading	Writing
ACT bit	SCC bit

The ACT bit indicates the current operation in master or slave mode.

The ACT bit is set when:

1. The start condition is output onto the I²C bus (master mode)
2. The slave address matches the address sent from the master device (slave mode)
3. The reserved address is detected and it is acknowledged (If MSS is "0", slave mode is selected.)

The ACT bit is reset when:

<Master mode>

1. The stop condition is detected.
2. An arbitration lost is detected.
3. When a bus error is detected and when EIBCR:BEC=0.
4. The I²C interface operation is disabled (ISMK:EN=0)

<Slave mode>

1. The (iteration) start condition is detected
2. The stop condition is detected.
3. The reserved address is detected (IBSR:RSA=1) but not acknowledged
4. The I²C interface operation is disabled (ISMK:EN=0)
5. When a bus error is detected (BER=1) and when EIBCR:BEC=0.

If this bit is set to "1" in master mode, the iteration start is executed. This bit is disabled to set to "0".

bit	Description	
	At writing	At reading
0	No effect	No effect
1	Generates an iteration start condition.	During the I ² C operation

<Notes>

- The SCC bit must be set to "1" during an interrupt of master mode (when MSS=1, ACT=1 and INT=1) only. If the SCC bit is set to "1" when the ACT bit is "1", the INT bit is cleared to "0".
- This bit must not be set to "1" in slave mode (when MSS=0 and ACT=1).
- If the SCC bit is set to "1" and if the MSS bit is set to "0" simultaneously, the MSS bit setting is preceded.
- When data is read by a read-modify-write instruction, the SCC bit is read.
- If both of the following conditions are satisfied, the INT bit is set to "1" and the I²C bus is waited (SCL=LOW). To generate an iteration start condition, clear the INT bit by setting the SCC bit to "1" again.
 - The SCC bit is set to "1" during master mode interrupt at 8th bit (MSS=1, ACT=1, INT=1 and WSEL=1).
 - A negative acknowledgement (NACK) is received at 9th bit.
- When DMA mode is enabled (SSR:DMA=1), the SSR:TBI bit is "1" and the IBCR:INT bit is "0", follow the steps below to issue the iteration start condition.
 1. Set the IBCR:INT bit to "1".
 2. Check that the IBCR:INT bit is set to "1".
 3. Write the slave address in the TDR.
 4. Set this bit to "1".

[bit13] ACKE: Data byte acknowledge enable bit

- If this bit is set to "1", LOW is output when acknowledged.
- This bit must be changed if any of the following conditions has occurred:
 - If DMA mode is disabled (SSR:DMA=0), the ACT bit is "1", and the INT bit is "1"
 - If DMA mode is enabled (SSR:DMA=1), the ACT bit is "1", and the SSR:TBI bit is "1"
 - If DMA mode is enabled (SSR:DMA=1), the ACT bit is "1", the slave mode reception is selected, and the SCR:RDRF is "1"
 - If the ACT bit is "0"

This bit is invalid in the following conditions.

1. During acknowledgement to an address field other than the reserved address (automatic generation)
2. During data transmission (IBSR:RSA=0, IBSR:TRX=1, IBSR:FBT=0)
3. If the received FIFO is enabled and the slave mode reception is selected (FCR0:FE=1, MSS=0, ACT=1), an ACK is returned.
4. If the received FIFO is enabled, the WSEL bit is "0", the master mode reception is selected (FCR0:FE=1, MSS=1, ACT=1, WSEL=0), and the SSR:TDRE bit is "0", an ACK is always returned. If the SSR:TDRE bit is "1", a NACK is returned.
5. If the received FIFO is enabled, WSEL=0, the reserved address is detected and the slave transmission is selected (IBSR:RSA=1, IBSR:TRX=1, IBSR:FBT=1), an ACK is always returned. To respond with a NACK, disable the received FIFO and set the ACKE bit to "0" during interrupt after detection of the reserved address.
6. The received FIFO is enabled, the WSEL bit is "1", the master mode reception is selected, and the Transmit Data Register has data (FCR0:FE=1, MSS=1, ACT=1, WSEL=1, SSR:TDRE=0).

bit	Description
0	Disables acknowledgment.
1	Enables acknowledgment.

[bit12] WSEL: Wait selection bit

- If DMA mode is disabled (SSR:DMA=0), this bit selects a generation time of interrupt before or after acknowledgement (INT=1) and selects to wait the I²C bus or not.
 - If DMA mode is enabled (SSR:DMA=1), this bit selects a generation time of interrupt before or after acknowledgement (INT=1, and SSR:TBI=1 for transmission or SSR:RDRF=1 for reception) and selects to wait the I²C bus or not.
 - The WSEL bit is invalid in the following conditions.
 1. An interrupt occurs (INT=1) for the first byte. (*1)
 2. The reserved address is detected (IBSR:FBT=1, IBSR:RSA=1).
 3. The NACK response is detected during FIFO data transfer (FCR0:FE=1, IBSR:RACK=1, ACT=1). (*2)
 4. The received FIFO is filled with data during FIFO reception.
- *1) The first byte indicates data after the (iteration) start condition.
 *2) NACK response: The SDA bit of I²C bus is HIGH during acknowledgement.

bit	Description
0	Waits (9 bits) after acknowledgement.
1	Waits (8 bits) after data transmission or reception.

[bit11] CNDE: Condition detection interrupt enable bit

This bit enables an interrupt if a stop condition or an iteration start condition is detected in master or slave mode (ACT=1). An interrupt occurs if the RSC or SPC bit of IBSR register is "1" and if this bit is set to "1".

bit	Description
0	Disables an interrupt due to the iteration start or stop condition.
1	Enables an interrupt due to the iteration start or stop condition.

[bit10] INTE: Interrupt enable bit

This bit enables an interrupt (INT=1) due to a data transmission and reception or bus error in master or slave mode.

bit	Description
0	Disables an interrupt.
1	Enables an interrupt.

[bit9] BER: Bus error flag bit

This bit indicates that an error has been detected on the I²C bus.

The BER bit is set when:

1. The start or stop condition is detected during transfer of the first byte. (*1)
2. The (iteration) start condition or the stop condition is detected at bit2 to bit9 (acknowledgement) of data after the 2nd or subsequent byte.

The BER bit is reset when:

1. The INT bit is set to "0" if EIBCR:BEC=0 and BER=1.
 2. The I²C interface operation is disabled (ISMK:EN=0).
 3. The IBCR:INT bit is set to "0" when EIBCR:BEC=1 and IBCR:INT=1.
 4. The IBCR:SPC bit is set to "0" when EIBCR:BEC=1 and IBCR:SPC=1.
 5. The IBCR:RSC bit is set to "0" when EIBCR:BEC=1 and IBCR:RSC=1.
- *1) The first byte indicates data after the (iteration) start condition.

bit	Description
0	No error
1	An error was detected.

<Note>

In the following cases, check this bit state if the interrupt flag (INT bit) is "1". If it is "1", the normal data transmission and reception fail. Retransmit the data.

- The interrupt flag(INT bit) is "1" when EIBCR:BEC=0
- The iteration start condition confirmation bit(IBSR:RSC bit) is "1" when EIBCR:BEC=1
- The stop condition confirmation bit(IBSR:SPC bit) is "1" when EIBCR:BEC=1

[bit8] INT: interrupt flag bit

The interrupt flag bit is set to "1" after 8 or 9 bits (ACK) of data have been transmitted and received or when a bus error has occurred in master or slave mode. During operation other than bus error, if the INT bit is set to "1", the SCL flag is set to LOW. If the INT bit is set to "0", the SCL is released from the LOW state.

The INT bit is set when:

<8th bit>

<If DMA mode is not related>

1. The reserved address is detected in the first byte.
2. The WSEL bit is "1" and an arbitration lost is detected in the 2nd or subsequent byte.

<If DMA mode is disabled (SSR:DMA=0)>

1. If DMA mode is disabled (SSR:DMA=0), WSEL bit is "1", master mode is selected, and the SSR:TDRE bit is "1" in the 2nd or subsequent byte.
2. If DMA mode is disabled (SSR:DMA=0), WSEL bit is "1", slave mode is selected, the received FIFO is disabled, and the SSR:TDRE bit is "1" in the 2nd or subsequent byte.
3. If DMA mode is disabled (SSR:DMA=0), WSEL bit is "1", the slave mode transmission is selected, and the SSR:TDRE bit is "1" in the 2nd or subsequent byte.
4. If DMA mode is disabled (SSR:DMA=0), WSEL bit is "1", the received FIFO is disabled, and the slave mode reception is selected.

<If DMA mode is enabled (SSR:DMA=1)>

1. If DMA mode is enabled (SSR:DMA=1), WSEL bit is "1", master mode is selected, the SSR:TBI bit is "1" in the 2nd or subsequent byte, and the INT bit is set to "1".

<9th bit>

<If DMA mode is not related>

1. An arbitration lost is detected in the first byte.
2. The NACK signal is received during the time other than stop condition output setting (the MSS bit is set to "0" during the master mode operation).
3. The WSEL bit is "0" and an arbitration lost is detected in the 2nd or subsequent byte.
4. The reserved address is not detected in the 1st byte, and data is found in the received FIFO when the received FIFO is enabled and data is received in master or slave mode (IBSR:TRX=0).
5. EIBCR:BEC=1 and IBSR:BER=1

<If DMA mode is disabled (SSR:DMA=0)>

1. If DMA mode is disabled (SSR:DMA=0), the reserved address is not detected in the 1st byte, and the SSR:TDRE bit is "1" when data is transmitted (IBSR:TRX=1) in master or slave mode.
2. If DMA mode is disabled (SSR:DMA=0), the reserved address is not detected in the 1st byte, and the SSR:TDRE bit is "1" when the received FIFO is disabled for data reception (IBSR:TRX=0) in master or slave mode.
3. If DMA mode is disabled (SSR:DMA=0), WSEL bit is "0", and the SSR:TDRE bit is "1" in the 2nd or subsequent byte during the master mode operation.
4. If DMA mode is disabled (SSR:DMA=0), WSEL bit is "0", and the SSR:TDRE bit is "1" in the 2nd or subsequent byte during the slave mode transmission.
5. If DMA mode is disabled (SSR:DMA=0), WSEL bit is "0", the received FIFO is disabled, and the slave mode reception is selected. However, if the reserved address is detected in the 1st byte during the slave mode reception, no interrupt is generated by bit 9.
6. If DMA mode is disabled (SSR:DMA=0), the received FIFO is enabled, data is received in slave mode, and the received FIFO is filled with data.

<If DMA mode is enabled (SSR:DMA=1)>

1. If DMA mode is enabled (SSR:DMA=1), the reserved address is not detected in the 1st byte, and the SSR:TDRE bit is "1" when data is transmitted (IBSR:TRX=1) in slave mode.
2. If DMA mode is enabled (SSR:DMA=1), the reserved address is not detected in the 1st byte, and the SSR:TDRE bit is "1" when the received FIFO is disabled for data reception (IBSR:TRX=0) in slave mode.
3. If DMA mode is enabled (SSR:DMA=1), WSEL bit is "0", the SSR:TBI bit is "1" in the 2nd or subsequent byte during the master mode operation, and the INT bit is set to "1".

<Others>

1. When a bus error is detected and EIBCR:BEC=0.

The INT bit is reset when:

1. The INT bit is set to "0".
2. The INT bit is "1" and the ACT bit is "1", the MSS bit is set to "0".
3. The INT bit is "1" and the ACT bit is "1", the SCC bit is set to "1".

If the DMA mode is disabled (SSR:DMA=0), it is invalid to set the INT bit to "1".

bit	Description	
	At writing	At reading
0	Clears the INT bit.	Does not issue an interrupt request.
1	No effect	Issues an interrupt request.

<Notes>

- When DMA mode is enabled (SSR:DMA=1) and the SSR:TBI bit is "1" in the 2nd or subsequent byte during the master mode operation, a status interrupt (SIRQ=1) is not generated even when the INT bit is set to "1".
- When DMA is enabled (SSR:DMA=1), the SSR:TBI bit is "1" and the IBCR:INT bit is "0", follow the steps below to issue the iteration start condition.
 1. Set the IBCR:INT bit to "1".
 2. Check that the IBCR:INT bit is set to "1".
 3. Write the slave address in the TDR.
 4. Set the IBCR:SCC bit to "1".
- If the INT flag is changed from "1" to "0", the I²C bus is released from waiting.
- If the ISMK:EN bit is set to "0", the SSR:RDRF and INT bits may be set to "1" in certain received timing. If so, read the received data and clear the INT bit.
- When a read-modify-write instruction is issued, "1" is read.
- If the received FIFO is enabled, the INT bit is not set to "1" even when the received FIFO is filled with data during the master mode reception.
- Set this bit to "1" when the start condition is issued (IBCR:MSS=1).

5.2. Serial Mode Register (SMR)

The Serial Mode Register (SMR) is used to set an operation mode, and to enable or disable the transmit/received interrupt.

bit	15	8	7	6	5	4	3	2	1	0
Field	(SCR)		MD2	MD1	MD0	Reserved	RIE	TIE	Reserved	
Attribute			R/W	R/W	R/W	-	R/W	R/W	-	
Initial value			0	0	0	-	0	0	-	

[bit7:5] MD2, MD1, MD0: operation mode set bits
 These bits set an operation mode.

* This chapter explains the registers and their operation in operation mode 4 (I²C mode).

bit7	bit6	bit5	Description
0	0	0	Operation mode 0 (async normal mode)
0	0	1	Operation mode 1 (async multiprocessor mode)
0	1	0	Operation mode 2 (clock sync mode)
0	1	1	Operation mode 3 (LIN communication mode)
1	0	0	Operation mode 4 (I ² C mode)
Values other than the above			Setting disabled.

<Notes>

- Any bit setting other than above is prohibited.
- To switch the current operation mode, disable the I²C (ISMK:EN=0) and change the operation mode continuously.
- After the operation mode has been set, set each register correctly.

[bit4] Reserved: Reseved bit

The read value is "0". Be sure to write "0".

[bit3] RIE: Received interrupt enable bit

- This bit enables or disables an output of received interrupt request to the CPU.
- If the RIE bit and the received data flag bit (SSR:RDRF) are "1", or if any of error flag bits (SSR:ORE) is "1", a received interrupt request is output.

bit	Description
0	Disables the received interrupt.
1	Enables the received interrupt.

<Note>

To receive data using the INT bit of I²C Bus Control Register (IBCR) when DMA mode is disabled (SSR:DMA=0), set this bit to "0".

[bit2] TIE: Transmit interrupt enable bit

- This bit enables or disables an output of transmit interrupt request to the CPU.
- If the TIE and SSR:TDRE bits are "1", a transmit interrupt request is output.

bit	Description
0	Disables the transmit interrupt.
1	Enables the transmit interrupt.

<Note>

To transmit data using the INT bit of I²C Bus Control Register (IBCR) when DMA mode is disabled (SSR:DMA=0), set this bit to "0".

[bit1:0] Reserved : Reserved bits

The read value is "0". Be sure to write "0".

5.3. I²C Bus Status Register (IBSR)

The I²C Bus Status Register (IBSR) shows the iteration start, acknowledgement, data direction, arbitration lost, stop condition, I²C bus status, and bus error detection.

bit	15	8	7	6	5	4	3	2	1	0
Field	(SSR)		FBT	RACK	RSA	TRX	AL	RSC	SPC	BB
Attribute			R	R	R	R	R	R/W	R/W	R
Initial value			0	0	0	0	0	0	0	0

[bit7] FBT: First byte bit

This bit indicates the first byte.

The FBT bit is set when:

1. The (iteration) start condition is detected.

The FBT bit is cleared when:

1. The second byte is sent or received.
2. The stop condition is detected.
3. The I²C interface operation is disabled (ISMK:EN=0).
4. When a bus error is detected (IBCR:BER=1) and EIBCR:BEC=0.

bit	Description
0	Other than 1st byte
1	The 1st byte is being sent or received.

[bit6] RACK: Acknowledge flag bit

This bit shows acknowledgement being received in the 1st byte or in master or slave mode.

The RACK bit is updated when:

1. Acknowledged in the 1st byte.
2. Data is acknowledged in master or slave mode.

The RACK bit is cleared (RACK=0) when:

1. The (iteration) start condition is detected.
2. The I²C interface operation is disabled (ISMK:EN=0).
3. When a bus error is detected (IBCR:BER=1) and EIBCR:BEC=0.

bit	Description
0	LOW is received.
1	HIGH is received.

[bit5] RSA: Reserved address detection bit

This bit shows that the reserved address has been detected.

The RSA bit is set (RSA=1) when:

1. The 1st byte is "0000xxxx" or "1111xxxx". Where "x" can be "0" or "1".

The RSA bit is reset (RSA=0) when:

1. The (iteration) start condition is detected.
2. The stop condition is detected.
3. The I²C interface operation is disabled (ISMK:EN=0).
4. When a bus error is detected (IBCR:BER=1) and EIBCR:BEC=0.

If the RSA bit is set to "1" in the 1st byte, the interrupt flag (IBCR:INT) is set to "1" and the SCL flag is set to "L" at the falling edge of SCL (8th bit) of the 1st byte regardless of FIFO enable or disable state. To read the received data and start the slave mode operation during this time, set the IBCR:ACKE bit to "1" and clear the interrupt flag (IBCR:INT) to "0". If the TRX bit is "0" after that, data is received in slave mode. To stop the data reception, set the IBCR:ACKE bit to "0". No data is received after that.

bit	Description
0	The reserved address is not detected.
1	The reserved address is detected.

<Notes>

- If the IBCR:ACKE bit is set to "0" during data transfer, this IBCR:ACKE bit cannot be set to "1" until the stop condition or the iteration start condition is detected.
- If the slave mode transmission is detected during an interrupt by reserved address detection and if the received FIFO is enabled, an ACK response is returned. In this case, disable the received FIFO and set the IBCR:ACKE bit to "0".

[bit4] TRX: Data direction bit

This bit indicates the data direction.

The TRX bit is set when:

1. The (iteration) start condition is sent in master mode.
2. 8th bit of the 1st byte is "1" in slave mode (in the slave mode transmission direction).

The TRX bit is reset when:

1. An arbitration lost occurs (AL=1).
2. 8th bit of the 1st byte is "0" in slave mode (in the slave mode reception direction).
3. 8th bit of the 1st byte is "1" in master mode (in the master mode reception direction).
4. The stop condition is detected.
5. The (iteration) start condition is detected in any mode other than master mode.
6. The I²C interface operation is disabled (ISMK:EN=0).
7. When a bus error is detected (IBCR:BER=1) and EIBCR:BEC=0.

bit	Description
0	Received direction
1	Transmission direction

[bit3] AL: Arbitration lost bit

This bit indicates an arbitration lost.

The AL bit is set when:

1. The output data does not match the received data in master mode.
2. The IBCR:MSS bit is set to "1" but the slave mode operation is selected.
3. The iteration start condition is detected by 1st bit of the 2nd or subsequent byte data in master mode when EIBCR:BEC=0.
4. The iteration start condition is detected in master mode and when EIBCR:BEC=0.
5. The stop condition is detected by 1st bit of the 2nd or subsequent byte data in master mode when EIBCR:BEC=1.
6. The stop condition is detected in master mode when EIBCR:BEC=1 (except the case where the stop condition is detected in the acknowledge field.)
7. The iteration start condition cannot be generated in master mode.
8. The stop condition cannot be generated in master mode.

The AL bit is reset when:

1. The IBCR:MSS bit is set to "1".
2. The IBCR:INT bit is set to "0".
3. The SPC bit is set to "0" when both AL and SPC bits are "1".
4. The I²C interface operation is disabled (ISMK:EN=0).
5. When a bus error is detected (IBCR:BER=1) and EIBCR:BEC=0.

bit	Description
0	No arbitration lost has occurred.
1	An arbitration lost has occurred.

[bit2] RSC: Iteration start condition check bit

This bit shows that an iteration start condition is detected in master or slave mode.

The RSC bit is set when:

1. When an iteration start condition is detected after acknowledgement, during the master or slave mode operation when EIBCR:BEC=0.
2. When an iteration start condition is detected in the first byte, during the master or slave mode, in the first bit when EIBCR:BEC=1.

The RSC bit is reset when:

1. The RSC bit is set to "0".
2. The IBCR:MSS bit is set to "1".
3. The I²C interface operation is disabled (ISMK:EN=0).

It is invalid to set this bit to "1".

bit	Description
0	No iteration start condition has been detected.
1	An iteration start condition has been detected.

<Notes>

- If no acknowledgement response is sent while data is received in slave mode due to the reserved address being detected, slave mode is released. In this case, this bit is not set to "1" even if the next iteration start condition is detected.
- When a read-modify-write instruction is issued, "1" is read.

[bit1] SPC: Stop condition check bit

This bit shows that a stop condition is detected in master or slave mode.

The SPC bit is set when:

1. When the stop condition is detected in the master or slave mode operation, when EIBCR:BEC=0.
2. The stop condition is detected in the one of the following cases when EIBCR:BEC=1.
 - In the first byte when IBCR:ACT=0
 - In the slave operation mode
 - In the master mode(except the case where the stop condition is detected in the acknowledge field)
3. In master mode, the stop condition has occurred and, therefore, an arbitration lost has occurred.

The SPC bit is reset when:

1. This bit is set to "0".
2. The IBCR:MSS bit is set to "1".
3. The I²C interface operation is disabled (ISMK:EN=0).

It is invalid to set this bit to "1".

bit	Description	
0	No stop condition is detected.	
1	Master mode	An arbitration lost has occurred when the stop condition is detected or when it is output.
	Slave mode	The stop condition is detected.

<Notes>

- If no acknowledgement response is sent while data is received in slave mode due to the reserved address being detected, slave mode is released. In this case, this bit is not set to "1" even if the next stop condition is detected.
- When a read-modify-write instruction is issued, "1" is read.
- When all the following conditions are met, this bit is not set to "1" and the master operation is continued even if the stop condition is detected:
 - When EIBCR:BEC=1
 - In the master operation
 - In the acknowledge field

[bit0] BB: Bus state bit

This bit shows the bus state.

The BB bit is set when:

1. LOW is detected in SDA or SCL of the I²C bus.

The BB bit is reset when:

1. The stop condition is detected.
2. The I²C interface operation is disabled (ISMK:EN=0).
3. When a bus error is detected (IBCR:BER=1) and EIBCR:BEC=0.

bit	Description
0	The bus is in idle state.
1	The bus is in transmission and reception state.

5.4. Serial Status Register (SSR)

The Serial Status Register (SSR) is used to check the transmission or reception state.

bit	15	14	13	12	11	10	9	8	7	...	0
Field	REC	TSET	DMA	TBIE	ORE	RDRF	TDRE	TBI	(IBSR)		
Attribute	R/W	R/W	R/W	R/W	R	R	R	R			
Initial value	0	0	0	0	0	0	1	1			

[bit15] REC: Received error flag clear bit

This bit clears the ORE bit of Serial Status Register (SSR).

- If this bit is set to "1", the ORE bit is cleared.
- This bit has no effect on the operation if set to "0".

When it is read, "0" is always read.

bit	Description	
	At writing	At reading
0	No effect on operation.	"0" is always read.
1	Clears the Received Error flag (ORE).	

[bit14] TSET: Transmit empty flag set bit

This bit sets the TDRE bit of Serial Status Register (SSR).

- If it is set to "1" and if the TDRE bit and DMA mode are enabled (DMA=1), the TBI bit is set.
- This bit has no effect on the operation if set to "0".

When it is read, "0" is always read.

bit	Description	
	At writing	At reading
0	No effect on operation.	"0" is always read.
1	The TDRE bit is set.	

<Note>

Set this bit to "1" only when the IBCR:INT bit is "1".

[bit13] DMA: DMA mode enable bit

This bit enables or disables DMA mode.

- If this bit is set to "1", an interrupt condition is generated during DMA transfer.
- If this bit is set to "0", an interrupt condition is generated during normal data transfer.

For details, see Table 2-1.

bit	Description
0	Disables DMA mode.
1	Enables DMA mode.

<Note>

This bit state can be changed only when the ISMK:EN bit is "0".

[bit12] TBIE: Transmit bus idle interrupt enable bit (Effective only when DMA mode is enabled)

- This bit enables or disables an output of transmit bus idle interrupt request to the CPU.
- If DMA mode is enabled (DMA=1) and both TBIE and TBI bits are "1", a transmit bus idle interrupt request is output.
- If DMA mode is disabled (DMA=0), this bit is set to "0". If data is written, this writing is ignored and the "0" is maintained.

bit	Description
0	Disables the transmit bus idle interrupt.
1	Enables the transmit bus idle interrupt.

[bit11] ORE: Overrun error flag bit

- If an overrun occurs during data reception, this bit is set to "1". This is cleared if the REC bit of Serial Status Register (SSR) is set to "1".
- If the ORE and SMR:RIE bits are "1", a received interrupt request is output.
- If this flag is set, the Received Data Register (RDR) is invalid.
- If the received FIFO is used and if this flag is set, the received data is not stored in the received FIFO.

bit	Description
0	No overrun error occurred.
1	An overrun error occurred.

[bit10] RDRF: Received data full flag bit

- This flag shows the state of Received Data Register (RDR).
- If the SMR:RIE bit and the received data flag bit (RDRF) are "1", a received interrupt request is issued.
- When the received data is loaded in the RDR, this bit is set to "1". When data is read from the Received Data Register (RDR), this bit is cleared to "0".
- This bit is set at the falling edge of SCL signal (8th bit of data).
- This bit is also set even when a NACK is responded. (*1)
- If the received FIFO is used and if a certain count of data is received by the received FIFO, the RDRF bit is set to "1".
- If the received FIFO is used and if received FIFO is emptied, this bit is cleared to "0".
- If all of the following conditions are satisfied and if the received idle state continues for more than 8 baud rate clocks, the interrupt flag (SSR:RDRF) is set to "1".
 - The received FIFO idle detection enable bit (FCR:FRIIE) is "1".
 - The number of data sets stored in the received FIFO does not reach the transfer count.
 - The IBCR:BER bit is "0".

If the RDR data is read during counting of 8 clocks, this counter is reset to 0 and counting for 8 clocks is restarted.

*1) NACK response: The SDA bit of I²C bus is "H" during acknowledgement.

bit	Description
0	The Received Data Register (RDR) is empty.
1	The Received Data Register (RDR) contains data.

<Notes>

- If all of the following conditions are satisfied, the SCL flag is set to LOW after ACK is transmitted was transmitted. If the RDRF bit is set to "0", the SCL flag is released from the LOW state.
 - The received FIFO is not used.
 - DMA mode is enabled (SSR:DMA=1).
 - Data is received in the 2nd or subsequent byte (IBSR:TRX=0), and the RDRF bit is "1".
 - The IBCR:WSEL bit is "0".
- If all of the following conditions are satisfied, the SCL flag is set to LOW immediately after single-byte data reception. If the RDRF bit is set to "0", the SCL flag is released from the LOW state.
 - The received FIFO is not used.
 - DMA mode is enabled (SSR:DMA=1).
 - Data is received in the 2nd or subsequent byte (IBSR:TRX=0), and the RDRF bit is "1".
 - The IBCR:WSEL bit is "1".
- If the received FIFO is used and DMA mode is enabled for data reception (DMA=1), the SCL flag is set to LOW when the received FIFO is filled with data. If data is read from the RDR even once, the SCL flag is released from the LOW state.

[bit9] TDRE: Transmit data empty flag bit

- This flag shows the state of Transmit Data Register (TDR).
- If the SMR:TIE and TDRE bits are "1", a Transmit Interrupt Request is output.
- If transmit data is written in the TDR, this bit is set to "0" to indicate that the TDR contains valid data. When data is loaded to a shift register for transmission and its transmission is started, this bit is set to "1" to indicate that the TDR does not have the valid data.
- If the TSET bit of Serial Status Register (SSR) is set to "1", this flag is set. If an arbitration lost or a bus error is detected, use this flag to set the TDRE bit to "1".

bit	Description
0	The Transmit Data Register (TDR) contains data.
1	The Transmit Data Register is empty.

[bit8] TBI: Transmit bus idle flag bit (Effective only when DMA mode is enabled)

This bit shows that no data is sent by the I²C when DMA mode is enabled (DMA=1). If DMA mode is enabled (DMA=1) and the TBI bit is set to "1" in the 2nd or subsequent byte, the SCL flag is set to LOW. If the TBI bit is set to "0", the SCL flag is cleared from the LOW state.

The TBI bit is set when:

<8th bit>

1. The WSEL bit is "1", master mode is selected, and the TDRE bit is "1" in the 2nd or subsequent byte.
2. The WSEL bit is "1", the slave mode transmission is selected, and the SSR:TDRE bit is "1" in the 2nd or subsequent byte.

<9th bit>

1. Master mode is selected, the reserved address is not detected in the 1st byte, and the SSR:TDRE bit is "1".
2. The WSEL bit is "0", master mode is selected, and the TDRE bit is "1" in the 2nd or subsequent byte.
3. The WSEL bit is "0", the slave mode transmission is selected, and the SSR:TDRE bit is "1" in the 2nd or subsequent byte.

<Others>

The transmit buffer empty flag set bit (TSET) is set to "1".

The TBI bit is reset when:

1. The transmit data is written in the Transmit Data Register (TDR).

If this bit is "1" and if the transmit bus idle interrupt is enabled (SCR:TBIE=1), a transmit interrupt request is output.

- If DMA mode is disabled (DMA=0), this bit is undefined.

bit	Description
0	During data transmission
1	No data transmission

5.5. Received Data Register/Transmit Data Register (RDR/TDR)

The Received and Transmit Data Registers are allocated at the same address. This register functions as the Received Data Register when data is read from it. This register functions as the Transmit Data Register when data is written in it.

■ Received Data Register (RDR)

bit	15	...	8	7	6	5	4	3	2	1	0
Field	-----			D7	D6	D5	D4	D3	D2	D1	D0
Attribute				R	R	R	R	R	R	R	R
Initial value				0	0	0	0	0	0	0	0

The Received Data Register (RDR) is a data buffer register for serial data reception.

- When a serial data signal is sent to the serial data line (SDA pin), it is converted by a shift register and stored in the Received Data Register (RDR).
- When the first byte (*1) is received, a received address is not stored in the Received Data Register (RDR). However, when the first byte is a reserved address, a received address is stored in the Received Data Register (RDR). In this case, the least significant bit (RDR:D0) is the data direction bit.
- When the received data is stored in the Received Data Register (RDR), the received data full flag bit (SSR:RDRF) is set to "1".
- When data is read from the Received Data Register (RDR), the received data full flag bit (SSR:RDRF) is cleared to "0" automatically.
 - *1) The first byte indicates data after the (iteration) start condition.

<Notes>

- If the received FIFO is used and if a certain count of data is received by the received FIFO, the SSR:RDRF bit is set to "1".
- If the received FIFO is used and if received FIFO is emptied, the SSR:RDRF bit is cleared to "0".

■ **Transmit Data Register (TDR)**

bit	15	...	8	7	6	5	4	3	2	1	0
Field				D7	D6	D5	D4	D3	D2	D1	D0
Attribute				W	W	W	W	W	W	W	W
Initial value				1	1	1	1	1	1	1	1

The Transmit Data Register (TDR) is a data buffer register for serial data transmission.

- Data of the Transmit Data register (TDR) is output to the serial data line (SDA pin) with the MSB first order.
- When the first byte is transmitted, the least significant bit (TDR:D0) indicates the data direction.
- When the transmit data is written in the Transmit Data Register (TDR), the transmit data empty flag (SSR:TDRE) is cleared to "0".
- When data is transferred to a shift register for transmission, the transmit data empty flag (SSR:TDRE) is set to "1".
- If transmit FIFO is disabled and if the data empty flag (SSR:TDRE) is "0", the transmit data cannot be written in the Transmit Data Register (TDR).
- If transmit FIFO is used, the transmit data can be written until transmit FIFO is filled with it even if the transmit data empty flag (SSR:TDRE) is "0".

<Note>

The Transmit Data Register is a write-only register. While the Received Data Register is a read-only register. As these two registers are allocated at the same address, the write and read values differ from each other. Therefore, the INC/DEC instruction and other read-modify-write (RMW) instruction cannot be used.

5.6. Noise Filter Control Register (NFCR)

The Noise Filter Control Register (NFCR) is used to set the noise filter time.

■ Noise Filter Control Register(NFCR)

Bit	15	...	8	7	6	5	4	3	2	1	0
Field	(EIBCR)			-	-	-	NFT4	NFT3	NFT2	NFT1	NFT0
Attribute				-	-	-	R/W	R/W	R/W	R/W	R/W
Initial Value				-	-	-	0	0	0	0	0

[bit7:5] Reserved: Reserved bits

The read value is "0". Be sure to write "0"

[bit4:0] NFT4 to NFT0: Noise Filter Time Select bits

Selects the Noise Filter Times of Serial clock input (SCL) and Serial data input (SDA).

The formula of calculating the noise filter time is as follows:

$$\text{Noise Filter Time} = (\text{NFT} + 1) \times 2 \times \text{Bus Clock Frequency Time}$$

For the relationship between noise filter time select bit setting and bus clock frequency, see Table 5-3.

Set the noise filter time select bits according to the frequency.

<Notes>

- When ISMK:EN bit of ISMK register is "0", set these bits.
- Any bit setting other than those in Table 5-3 is prohibited.

Table 5-3 Relationship between Noise Filter Time Select bits and Bus Clock Frequency

bit4	bit3	bit2	bit1	bit0	Bus Clock Frequency [MHz]
0	0	0	0	0	8 MHz or more and less than 40 MHz*1
0	0	0	0	1	40 MHz or more and less than 60 MHz
0	0	0	1	0	60 MHz or more and less than 80 MHz
0	0	0	1	1	80 MHz or more and less than 100 MHz
0	0	1	0	0	100 MHz or more and less than 120 MHz
0	0	1	0	1	120 MHz or more and less than 140 MHz
0	0	1	1	0	140 MHz or more and less than 160 MHz
0	0	1	1	1	160 MHz or more and less than 180 MHz
0	1	0	0	0	180 MHz or more and less than 200 MHz
0	1	0	0	1	200 MHz or more and less than 220 MHz
0	1	0	1	0	220 MHz or more and less than 240 MHz
0	1	0	1	1	240 MHz or more and less than 260 MHz
0	1	1	0	0	260 MHz or more and less than 280 MHz
0	1	1	0	1	280 MHz or more and less than 300 MHz
0	1	1	1	0	300 MHz or more and less than 320 MHz
0	1	1	1	1	320 MHz or more and less than 340 MHz
1	0	0	0	0	340 MHz or more and less than 360 MHz
1	0	0	0	1	360 MHz or more and less than 380 MHz
1	0	0	1	0	380 MHz or more and less than 400 MHz

*1: In Standard –mode, 2 MHz or more and less than 40 MHz

5.7. Extension I²C Bus Control Register (EIBCR)

The Extension I²C Bus Control Register (EIBCR) is used to control the output of SDA/SCL and set the operation continuity after a bus error occurs.

bit	15	14	13	12	11	10	9	8	7	...	0
Field	Reserved		SDAS	SCLS	SDAC	SCLC	SOCE	BEC	-		
Attribute	-		R	R	R/W	R/W	R/W	R/W			
Initial value	-		0	0	1	1	0	0			

[bit15:14] Reserved: Reserved bits

The read value is "0". Be sure to write "0".

[bit13] SDAS: SDA status bit

This bit indicates the signal level of SDA line after a noise filter.

bit	Description
0	SDA line is in "Low" level.
1	SDA line is in "High" level.

<Note>

This bit is valid only when I²C is enabled (ISMK:EN=1). When I²C is disabled (ISMK:EN=0), "0" is always read from this bit.

[bit12] SCLS: SCL status bit

This bit indicates the signal level of SCL line after a noise filter.

bit	Description
0	SCL line is in "Low" level.
1	SCL line is in "High" level.

<Note>

This bit is valid only when I²C is enabled (ISMK:EN=1). When I²C is disabled (ISMK:EN=0), "0" is always read from this bit.

[bit11] SDAC: SDA output control bit

When the serial output control is enabled (SOCE=1), this bit controls SDA output.

bit	Description
0	SDA output is in "Low" level.
1	SDA output is in "High" level.

[bit10] SCLC: SCL output control bit

When the serial output control is enabled (SOCE=1), this bit controls SCL output.

bit	Description
0	SCL output is in "Low" level.
1	SCL output is in "High" level.

[bit9] SOCE: Serial output enabled bit

This bit enables the serial output.

When this bit is set to "1", the following operations are executed:

- SDA output is controlled with SDA output control bit (SDAC).
- SCL output is controlled with SCL output control bit (SCLC)

bit	Description
0	Serial output control is disabled.
1	Serial output control is enabled.

<Note>

Only when IBCR:MSS=0 and IBCR:ACT=0, this bit must be set to "1".

[bit8] BEC: Bus error control bit

After a bus error occurs (IBSR:BER=1), this bit selects the continuity or abortion of I²C operation.

bit	Description
0	I ² C operation is aborted.
1	I ² C operation is continued.

<Note>

When EIBCR:BEC=0, if the restart condition is detected while the address data is being transferred or bit2 to bit9(acknowledge bits) are being transferred after the start condition is detected, a bus error is detected(BCR:BER=1) and reception is aborted. So, the next data is not received. In this case, after clearing the interrupt flag (IBCR:INT), the re-processing of the start condition from master is required.

5.8. 7-bit Slave Address Mask Register (ISMK)

The 7-bit Slave Address Mask Register (ISMK) is used to compare or set each bit of the slave address.

bit	15	14	13	12	11	10	9	8	7	...	0
Field	EN	SM6	SM5	SM4	SM3	SM2	SM1	SM0	(ISBA)		
Attribute	R/W	R/W	R/W	R/W	R/W	R/W	R/W	R/W			
Initial value	0	1	1	1	1	1	1	1			

[bit15] EN: I²C interface operation enable bit

This bit enables or disables the I²C interface operation.

If set to "0": The I²C interface operation is disabled.

If set to "1": The I²C interface operation is enabled.

bit	Description
0	Disable
1	Enable

<Notes>

- This bit is not cleared to "0" even if the BER bit of IBSR register is set to "1".
- The baud rate generator must be set only when this bit is "0".
- When this bit is "0", set both the 7-bit Slave Address Register and the 7-bit Slave Address Mask Register.
- If the I²C interface operation is disabled (EN=0), data transmission and reception is inhibited immediately.
- If you have set the IBCR:MSS bit to "0" to generate a Stop condition and if you wish to disable the I²C interface operation, make sure that the stop condition has occurred. Then, disable the operation (EN=0).
- If the EN bit is set to "0" during data transmission, a pulse may be generated on the SDA/SCL signal of the I²C bus.

[bit14:8] SM6 to SM0: Slave address mask bits

These bits specify to exclude the 7-bit slave address and the received address from comparison.

If set to "1", the address is compared.

If set to "0", the address matching is assumed.

bit14:8	Description
0	Does not compare the bits.
1	Compares the bits.

<Note>

This register must be set only when the EN bit is "0".

5.9. 7-bit Slave Address Register (ISBA)

The 7-bit Slave Address Register (ISBA) is used to set the slave address.

bit	15	8	7	6	5	4	3	2	1	0
Field	(ISMK)		SAEN	SA6	SA5	SA4	SA3	SA2	SA1	SA0
Attribute			R/W	R/W	R/W	R/W	R/W	R/W	R/W	R/W
Initial value			0	0	0	0	0	0	0	0

[bit7] SAEN: Slave address enable bit

This bit enables the slave address detection.

If set to "0": The slave address is not detected.

If set to "1": The ISBA and ISMK settings and the received 1st byte are compared.

bit	Description
0	Disable
1	Enable

[bit6:0] SA6 to SA0: 7-bit slave address

- If the slave address detection is enabled (SAEN=1), the 7-bit Slave Address Register (ISBA) compares the 7-bit data, which has been received after detection of (iteration) start condition, with this register value. If all bits match each other, slave mode is selected and an ACK is output. At this time, the received slave address is set in this register (if SAEN=0, no ACK is output).
- If an address bit is set to "0" in the ISMK register, it is not compared.

bit6:0	Description
	7-bit slave address

<Notes>

- The reserved address cannot be set.
- This register must be set only when the EN bit of ISMK register is "0".

5.10. Baud Rate Generator Registers 1 and 0 (BGR1 and BGR0)

Baud Rate Generator Registers 1 and 0 (BGR1 and BGR0) are used to set a frequency division ratio of serial clocks.

bit	15	14	13	12	11	10	9	8	7	6	5	4	3	2	1	0
Field	-	(BGR1)							(BGR0)							
Attribute	-	R/W	R/W	R/W	R/W	R/W	R/W	R/W	R/W	R/W	R/W	R/W	R/W	R/W	R/W	R/W
Initial value	-	0	0	0	0	0	0	0	0	0	0	0	0	0	0	0

The Baud Rate Generator Registers are used to set a frequency division ratio of serial clocks. The BGR1 register corresponds to the high-order bits, and the BGR0 register corresponds to the low-order bits. The reload value to be counted can be written, and the BGR1/BGR0 set value can be read. When the reload value is written in Baud Rate Generator Registers 1 and 0 (BGR1 and BGR0), the Reload counter starts its counting.

[bit15] -: Unused bit

This bit value is undefined when read.
 This bit has no effect on the operation when written.

[bit14:8] BGR1: Baud Rate Generator Register 1

bit14:8	Description
Write	Writes data in bit8 to bit14 of reload counter.
Read	Reads the BGR1 set value.

[bit7:0] BGR0: BAUD RATE GENERATOR REGISTER 0

bit7:0	Description
Write	Writes data in bit0 to bit7 of reload counter.
Read	Reads the BGR0 set value.

<Notes>

- Data must be written in the Baud Rate Generator Registers (BGR1 and BGR0) by 16-bit data accessing.
- The Baud Rate Generator Registers must be set when the EN bit of ISMK register is "0".
- The baud rate must be set regardless of master or slave mode selection.
- In operation mode 4 (I²C mode), operate the bus clock at a frequency no lower than 8 MHz for Standard-mde/Fast-mode and note that setting of a baud rate generator that exceeds 400 kbps is prohibited. Moreover, for Fast-mode Plus, operate the bus clock at a frequency no lower than 64 MHz for Standard-mde/Fast-mode and note that setting of a baud rate generator that exceeds 1000 kbps is prohibited.

5.11. FIFO Control Register 1 (FCR1)

The FIFO Control Register (FCR1) is used to select the transmit or received FIFO, enable the transmit FIFO interrupt, and control the interrupt flag.

bit	15	14	13	12	11	10	9	8	7	...	0
Field	Reserved			FLSTE	FRIIE	FDRQ	FTIE	FSEL	(FCR0)		
Attribute	-			R/W	R/W	R/W	R/W	R/W			
Initial value	-			0	-	1	0	0			

[bit15:13] Reserved: Reserved bits

The read value is "0". Be sure to write "0".

[bit12] FLSTE: Re-transmit data lost detection enable bit

This bit enables the FCR0:FLST bit detection.

If set to "0", the FCR0:FLST bit detection is disabled.

If set to "1", the FCR0:FLST bit detection is enabled.

bit	Description
0	Disables the Data Lost detection.
1	Enables the Data Lost detection.

<Note>

To set this bit to "1", set the FSET bit to "1" first, and then set this bit to "1".

[bit11] FRIIE: Received FIFO idle detection enable bit

This bit sets to detect the received idle state if the received FIFO contains valid data and if it continues more than 8-bit hours. If the received interrupt is enabled (SCR:RIE=1), a received interrupt is generated when the received idle state is detected.

bit	Description
0	Disables the received FIFO idle detection.
1	Enables the received FIFO idle detection.

<Note>

In case of using Received FIFO, set this bit to "1".

[bit10] FDRQ: Transmit FIFO data request bit

This bit requests for the transmit FIFO data.

If this bit is "1", the transmit data is being requested. If the Transmit Interrupt is enabled (FTIE=1) during this time, a transmit FIFO interrupt request is output.

The FDRQ bit is set when:

- The FBYTE (for transmission) is "0" (Transmit FIFO is empty).
- Transmit FIFO is reset.

The FDRQ bit is reset when:

- This bit is set to "0".
- Transmit FIFO is filled with data.

bit	Description
0	Does not request for the transmit FIFO data.
1	Requests for the transmit FIFO data.

<Notes>

- If the FBYTE (for transmission) is "0", this bit cannot be set to "0".
- If this bit is "0", the FSEL bit state cannot be changed.
- If this bit is set to "1", it has no effect on the operation.
- If a read-modify-write instruction is issued, "1" is read.
- If a transmit interrupt has occurred and the required data have been written in transmit FIFO, clear the interrupt request by setting the FIFO transmit data request bit (FCR1:FDRQ) to "0".

[bit9] FTIE: Transmit FIFO interrupt enable bit

This bit enables a transmit FIFO interrupt. If this bit is set to "1", an interrupt occurs when the FDRQ bit is set to "1".

bit	Description
0	Disables the transmit FIFO interrupt.
1	Enables the transmit FIFO interrupt.

[bit8] FSEL: FIFO buffer selection bit

This bit selects the transmit or received FIFO.

bit	Description
0	Set transmit FIFO as FIFO1, and the received FIFO as FIFO2.
1	Set transmit FIFO as FIFO2, and the received FIFO as FIFO1.

<Notes>

- This bit is not cleared by FIFO reset (FCR0:FCL[2:1]=11).
- To change this bit state, first disable the FIFO operation (FCR0:FE[2:1]=00).

5.12. FIFO Control Register 0 (FCR0)

The FIFO Control Register 0 (FCR0) is used to enable/disable the FIFO operation, reset FIFO, save the read pointer, and set the data re-transmission.

bit	15	...	8	7	6	5	4	3	2	1	0
Field	(FCR1)			-	FLST	FLD	FSET	FCL2	FCL1	FE2	FE1
Attribute				-	R	R/W	R/W	R/W	R/W	R/W	R/W
Initial value				0	0	0	0	0	0	0	0

[bit7] - : Unused bit

When read, "0" is always read.
 When writing, always set to "0".

[bit6] FLST: FIFO re-transmit data lost flag bit

This bit shows that the re-transmit data of transmit FIFO has been lost.

The FLST bit is set when:

- If the FLSTE bit of FIFO Control Register 1 (FCR1) is "1", the write pointer of transmit FIFO matches the read pointer which has been saved by the FSET bit, and data is written in the FIFO buffer.

The FLST bit is reset when:

- FIFO is reset (FCL bit is set to "1").
- The FSET bit is set to "1".

If this bit is set to "1", the data which has been saved by the FSET bit and identified by the read pointer is overwritten. The data re-transmission cannot be set by the FLD bit even if an error has occurred. If this bit is set to "1" and if you wish to re-transmit data, first reset FIFO. Then, write data in the FIFO buffer again.

bit	Description
0	No Data Lost has occurred.
1	Data Lost has occurred.

[bit5] FLD: FIFO pointer reload bit

This bit reloads the data, being saved in transmit FIFO by the FSET bit, to the reload pointer. This bit can be used to re-transmit data after a communication error or others have occurred.

When the re-transmission setting has finished, this bit is set to "0".

bit	Description
0	Not reloaded
1	Reloaded

<Notes>

- If this bit is "1", data is being reloaded in the read pointer. Therefore, data writing except for FIFO reset is disabled.
- When FIFO is enabled or when data is being transmitted, this bit cannot be set to "1".
- Set the SMR:TIE bit to "0" first, and set this bit to "1". Then, enable transmit FIFO and set the SMR:TIE bit to "1".

[bit4] FSET: FIFO pointer save bit

This bit saves the read pointer value of transmit FIFO.

If the read pointer value is saved before being transmitted and if the FLST bit is "0", the data can be re-transmitted even if a communication error or others have occurred.

If set to "1", the current read pointer value is saved.

If set to "0", it has no effect on the operation.

bit	Description
0	Not saved
1	Saved

<Note>

This bit can be set to "1" only when the transmit byte count (FBYTE) is "0".

[bit3] FCL2: FIFO2 reset bit

This bit resets the FIFO2 value.

If this bit is set to "1", the FIFO2 buffer is initialized.

Only the FCR0:FLST bit is initialized, but the other bits of FCR1/0 registers are kept.

bit	Description	
	At writing	At reading
0	No effect on operation.	"0" is always read.
1	FIFO2 is reset.	

<Notes>

- Disable the FIFO2 operation first, and then reset the FIFO2 buffer.
- Set the transmit FIFO interrupt enable bit to "0" before the execution.
- The FBYTE2 register has the significant data count of "0".

[bit2] FCL1: FIFO1 reset bit

This bit resets the FIFO1 value.

If this bit is set to "1", the FIFO1 buffer is initialized.

Only the FCR0:FLST bit is initialized, but the other bits of FCR1/0 registers are kept.

bit	Description	
	At writing	At reading
0	No effect on operation.	"0" is always read.
1	FIFO1 is reset.	

<Notes>

- Disable the FIFO1 operation first, and then reset FIFO1.
- Set the transmit FIFO interrupt enable bit to "0" before the execution.
- The FBYTE1 register has the significant data count of "0".

[bit1] FE2: FIFO2 operation enable bit

This bit enables or disables the FIFO2 operation.

- To use the FIFO2 operation, set this bit to "1".
- If received FIFO is selected by the FCR1:FSEL bit and if a received error has occurred, this bit is cleared to "0". This bit cannot be set to "1" until the received error is cleared.
- To use FIFO2 as transmit FIFO, this bit must be set to "1" or "0" when the transmit data is empty (SSR:TDRE=1).
- To use FIFO2 as received FIFO, this bit must be set to "0" when the received buffer is empty (SSR:RDRF=0) and received FIFO contains no valid data (FBYTE2=0) while the I²C interface operation is disabled (ISMK:EN=0), the operation flag (IBCR:ACT) is "0", or the interrupt flag (IBCR:INT) is "1".
- To use FIFO2 as received FIFO, this bit must be set to "1" when the received buffer is empty (SSR:RDRF=0) while the I²C interface operation is disabled (ISMK:EN=0), the operation flag (IBCR:ACT) is "0", or the interrupt flag (IBCR:INT) is "1".
- The FIFO2 state is held even if the FIFO2 operation is disabled.

bit	Description
0	Disables the FIFO2 operation.
1	Enables the FIFO2 operation.

<Notes>

- The enable or disable state must be switched only when the IBSR:BB bit is "0" or when the IBCR:INT bit is "1".
- If received FIFO is selected and the reserved address is detected, and if you wish to select the slave mode transmission, set this bit to "0" and set IBCR:ACKE bit to "0" with an interrupt of reserved address detection.
- If received FIFO is selected and if the SSR:RDRF bit of SSR is "1" when this bit is changed from "1" to "0", received FIFO is not disabled until the bit is set to "0".
- If transmit FIFO is selected, FIFO2 contains data, and you wish to change this bit from "0" to "1", set the SMR:TIE bit to "0" first. Then, set this bit to "1", and set the SMR:TIE bit to "1".

[bit0] FE1: FIFO1 operation enable bit

This bit enables or disables the FIFO1 operation.

- To use the FIFO1 operation, set this bit to "1".
- If received FIFO is selected by the FCR1:FSEL bit and if a received error has occurred, this bit is cleared to "0". This bit cannot be set to "1" until the received error is cleared.
- To use FIFO1 as transmit FIFO, this bit must be set to "1" or "0" when the transmit data is empty (SSR:TDRE=1).
- To use FIFO1 as received FIFO, this bit must be set to "0" when the received buffer is empty (SSR:RDRF=0) and received FIFO contains no valid data (FBYTE2=0) while the I²C interface operation is disabled (ISMK:EN=0), the operation flag (IBCR:ACT) is "0", or the interrupt flag (IBCR:INT) is "1".
- To use FIFO1 as received FIFO, this bit must be set to "1" when the received buffer is empty (SSR:RDRF=0) while the I²C interface operation is disabled (ISMK:EN=0), the operation flag (IBCR:ACT) is "0", or the interrupt flag (IBCR:INT) is "1".
- The FIFO1 state is held even if the FIFO1 operation is disabled.

bit	Description
0	Disables the FIFO1 operation.
1	Enables the FIFO1 operation.

<Notes>

- The enable or disable state must be switched only when the IBSR:BB bit is "0" or when the IBCR:INT bit is "1".
- If received FIFO is selected and the reserved address is detected, and if you wish to select the slave mode transmission, set this bit to "0" and set IBCR:ACKE bit to "0" with an interrupt of reserved address detection.
- If received FIFO is selected and the SSR:RDRF bit is "1" when this bit is changed from "1" to "0", received FIFO is not disabled until the bit is set to "0".
- If transmit FIFO is selected, FIFO1 contains data, and if you wish to change this bit from "0" to "1" state, set the SMR:TIE bit to "0" first. Then, set this bit to "1", and set the SMR:TIE bit to "1".

5.13. FIFO Byte Register (FBYTE)

The FIFO Byte Register (FBYTE) indicates the effective data count in the FIFO buffer. Also, this register can be used to generate a received interrupt when certain number of data sets are received in the received FIFO.

bit	15	14	13	12	11	10	9	8	7	6	5	4	3	2	1	0
Field	(FBYTE2)								(FBYTE1)							
Attribute	R/W	R/W	R/W	R/W	R/W	R/W	R/W	R/W	R/W	R/W	R/W	R/W	R/W	R/W	R/W	R/W
Initial value	0	0	0	0	0	0	0	0	0	0	0	0	0	0	0	0

The FBYTE register indicates the effective data count in the FIFO buffer. The following table shows the relation between the FCR1:FSEL bit state and FBYTE.

Table 5-3 Display of data count

FSEL	FIFO selection	Data count display
0	FIFO2:Received FIFO, FIFO1: Transmit FIFO	FIFO2:FBYTE2, FIFO1:FBYTE1
1	FIFO2:Transmit FIFO, FIFO1:Received FIFO	FIFO2:FBYTE2, FIFO1:FBYTE1

- The initial value of data transfer count is "0x08" for the FBYTE register.
- Set a data count to generate a received interrupt flag for the FBYTE register of received FIFO. If this transfer data count matches the FBYTE register display, the received data full flag bit (SSR:RDRF) is set to "1".
- If both of the following conditions are satisfied and if the received idle state continues for more than 8 baud rate clocks, the received data full flag bit (SSR:RDRF) is set to "1".
 - The received FIFO idle detection enable bit (FCR:FRIIE) is "1".
 - The number of data sets stored in the received FIFO does not reach the transfer count.
 If the RDR data is read during counting of 8 clocks, this counter is reset to 0 and counting for 8 clocks is restarted. If received FIFO is disabled, this counter is reset to 0. If data remains in the received FIFO and if received FIFO is enabled, the data counting is restarted.
- To receive data in the master mode operation (master mode reception), set the SMR:TIE bit to "0", set the received data count for the FBYTE register of transmit FIFO, and set the FCR1:FDRQ bit to "0". The SCL clocks are output for the specified data count, and then IBCR:INT bit is set to "1". The SMR:TIE bit must be set to "1" only after the FCR1:FDRQ bit is set to "1".

[bit15:8] FBYTE2: FIFO2 data count display bits

[bit7:0] FBYTE1: FIFO1 data count display bits

Writing	Sets the transfer data count.
Reading	Reads the effective count of data.

Read (Effective data count)

During transmission: The number of data sets already written in the FIFO buffer but not transmitted yet
 During reception: The number of data sets received in FIFO

Write (Transfer data count)

During transmission: Set "0x00".
 During reception: Set the data count to generate a received interrupt.

Table 5-5 DATA Count to be Saved in FIFO

FIFO Capacity	Max. FBYTE Count	Data Count to be Saved
16 BYTEs	16	16
32 BYTEs	32	32
64 BYTEs	64	64
128 BYTEs	128	128

<Notes>

- The FBYTE value of transmit FIFO must be "0x00" except when data is received in the master mode operation.
- During the master mode data reception, the transmit data count must be set only when transmit FIFO is empty and the SMR:TIE bit is "0".
- When data is being received in the master mode operation, the I²C interface operation can be disabled (ISMK:EN=0) only after transmit/received FIFO has been disabled.
- Setting of a send data number when receiving the data by master operation must be executed when the transmit FIFO is empty and SMR:TIE bit is "0".
- The FBYTE bit of received FIFO must be set to "1" or larger.
- Change this register under one of the following conditions:
 - When the I²C interface operation is disabled (ISMK:EN=0)
 - When IBCR:INT=1 in case of SSR:DMA=0 and master mode reception
 - When SSR:TBI=1 in case of SSR:DMA=1 and master mode reception
- A read-modify-write instruction cannot be used for this register.
- Any setting exceeding the FIFO capacity is inhibited.
- To receive data in the master mode operation (master mode reception), do not write dummy data to the Transmit Data Register (TDR) when setting the SMR:TIE bit to "0" and setting the received data count for the FBYTE register of transmit FIFO.

CHAPTER: USB/Ethernet Clock Generation Block

This chapter explains the USB/Ethernet clock generation.

1. Overview and configuration

1. Overview and Configuration

Generating USB clock and Ethernet clock

This block generates a 48 MHz USB clock used in USB macro communication and a 50 MHz (RMII)/25 MHz (MII) Ethernet clock used in Ethernet communication.

Since the function and configuration differ by products, see the chapter "USB Clock Generation" for the products other than Ethernet equipped products, and see the chapter "USB/Ethernet Clock Generation" for Ethernet equipped products.

Furthermore, for logic macros of USB and Ethernet mounted in this family, the operation clocks (HCLK) are gated in the logic macro at the initial state for low power consumption.

To use USB or Ethernet function, be sure to change the following register settings to release the clock gating:

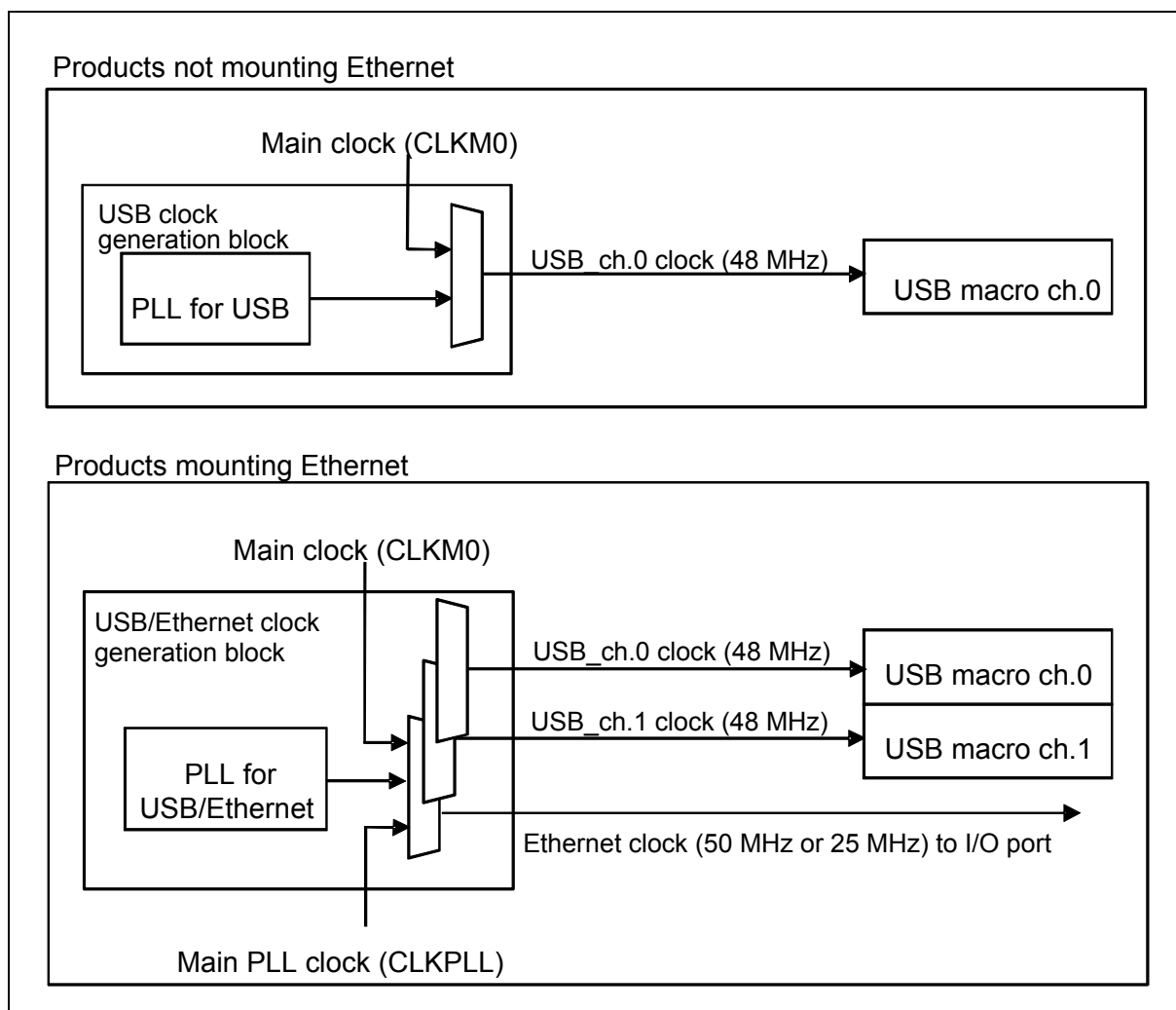
USB ch.0: For details, see 4.5 "peripheral clock control register (CKEN2)" in "Peripheral clock gating function" of "Peripheral Manual".

USB ch.1: For details, see 4.5 "peripheral clock control register (CKEN2)" in "Peripheral clock gating function" of "Peripheral Manual".

Figure 1-1 shows a block diagram of a USB clock and a USB/Ethernet clock generation block.

■ Block diagram of USB clock and USB/Ethernet clock generation block

Figure 1-1 USB clock and USB/Ethernet clock generation block



CHAPTER: USB Clock Generation

This chapter explains the USB clock generation.

1. Overview
2. Configuration and Block Diagram
3. Explanation of Operation
4. Setup Procedure Example
5. Register List
6. Usage Precautions

1. Overview

This section provides an overview of the USB clock generation.

The USB clock runs at 48 MHz and is used by USB macro for communication.

The USB clock generating method is selected from the following two methods:

- 48 MHz main clock (hereinafter CLKMO) is used as it is.
- PLL for USB (hereinafter USB-PLL) is used for the clock source..

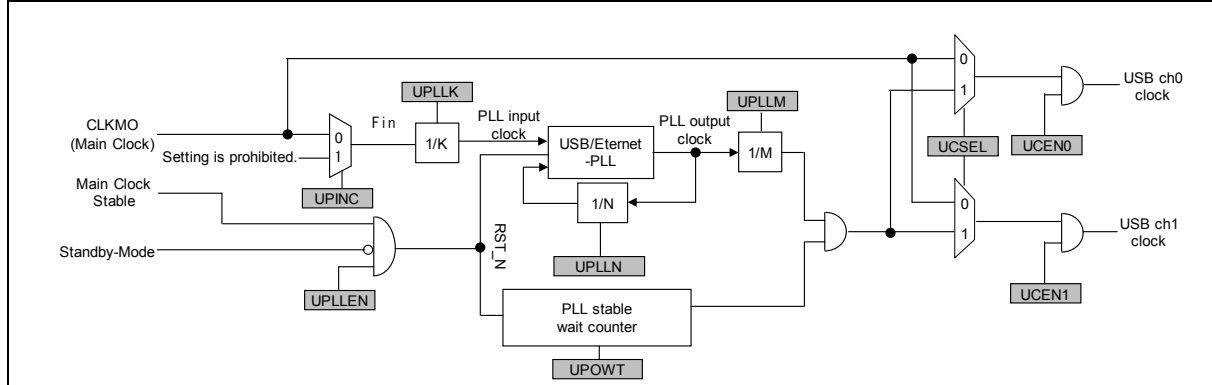
The USB clock generation unit is responsible for the following functions:

- Enables or stops output of the USB clock.
- Selects the USB clock.
- Enables or stops oscillation of USB-PLL.
- Selects the input clock of USB-PLL.
- Sets the input clock frequency division of USB-PLL.
- Sets the output clock multiplication of USB-PLL.
- Sets the stabilization wait time of USB-PLL.
- Stops the USB clock in standby mode.

2. Configuration and Block Diagram

This section explains the configuration and block diagram of the USB clock generation unit.

Figure 2-1 Block diagram of USB clock generation unit



■ USB-PLL Control Register (UPLLEN)

The control register can enable USB-PLL oscillation.

■ Input Clock Select Register (UPINC)

Be sure to select the CLKMO.

■ USB-PLL

- Frequency division setting register (UPLLK, UPLLN, UPLLM)
To generate 48 MHz as USB clock, the settings of K frequency division, N frequency division and M frequency division are required.

For the specification range of the USB-PLL input clock frequency, output clock frequency, and multiplier (N division setting value), refer to the PLL use conditions of "PLL input clock frequency", "PLL macro oscillation clock frequency", and "PLL multiplier" in "Data Sheet" of the product used.

- Oscillation stabilization wait time setting (UPOWT)
Oscillation stabilization wait time for USB-PLL can be specified.

■ Output clock

- Output Clock Select Register (UCSEL)
Can be selected from CLKMO or USB-PLL output clock.
- PLL Clock Output Enable Register (UCEN0, UCEN1)
Can set the USB clock output enable.

■ Standby mode setting

- The Standby-Mode signal shown in Figure 2-1 turns to be active in the following modes.
The USB clock stops in the following standby modes.
 - Stop mode
 - TIMER mode
- The Main Clock stable signal shown in Figure 2-1 is an oscillation stabilization signal for each mode.

3. Explanation of Operation

This section explains the operation of the USB clock generation unit.

■ Selecting the USB clock

The following two types of clocks can be selected for the USB clock.

● CLKMO

CLKMO can be used directly as the USB clock. In this case, CLKMO must be input externally at 48 MHz, or must oscillate at 48 MHz. Enable the output of the USB clock after confirming stabilization of the CLKMO oscillation.

● Selecting the USB-PLL output clock

The USB-PLL output clock can be used as the source clock of USB clock.

The USB-PLL output clock must be output at 240 MHz or 288 MHz to generate a 48 MHz clock after M division.

Table 3-1 below shows the setting example of the division ratio.

Table 3-1 Example of PLL frequency division ratio settings

Fin (MHz)	USB Clock Output 48 MHz		
	PLL Output Frequency 240 MHz		
	K	N	M
4	1	60	5
8	1	30	5
8	2	60	5
16	1	15	5
16	2	30	5
16	4	60	5
24	2	20	5
24	4	40	5
24	6	60	5
48	*		

*: Without using USB-PLL, use CLKMO directly as USB clock.

■ Changing to standby mode

● When changing to standby mode

Before changing to standby mode (STOP mode, or TIMER mode), set UCEN0 and UCEN1 of UCCR register to "0" to stop the USB clock supply.

1. Set UCCR:UCEN0=0 and UCCR:UCEN1=0.
2. Read the UCCR Register to check that UCEN0 and UCEN1 are set to "0".
3. Changing to standby mode.

When returning from standby mode, set UCEN0 and UCEN1 bits to "1", if required. The supply starts when the USB clock oscillation has been stabilized. Take either of the following actions to confirm whether or not the USB clock oscillation has been stabilized.

- a) When USB-PLL is used
Check that UP_STR:UPRDY is "1", or use the USB-PLL oscillation stabilization wait interrupt.
- b) When CLKMO (48 MHz) is used
After the CLKMO oscillation has been stabilized, supply the USB clock.

■ USB-PLL oscillation stabilization wait settings

● Oscillation stabilization wait time for USB-PLL can be specified

After CLKMO oscillation has been stabilized, the oscillation stabilization wait time for USB-PLL begins to be counted.

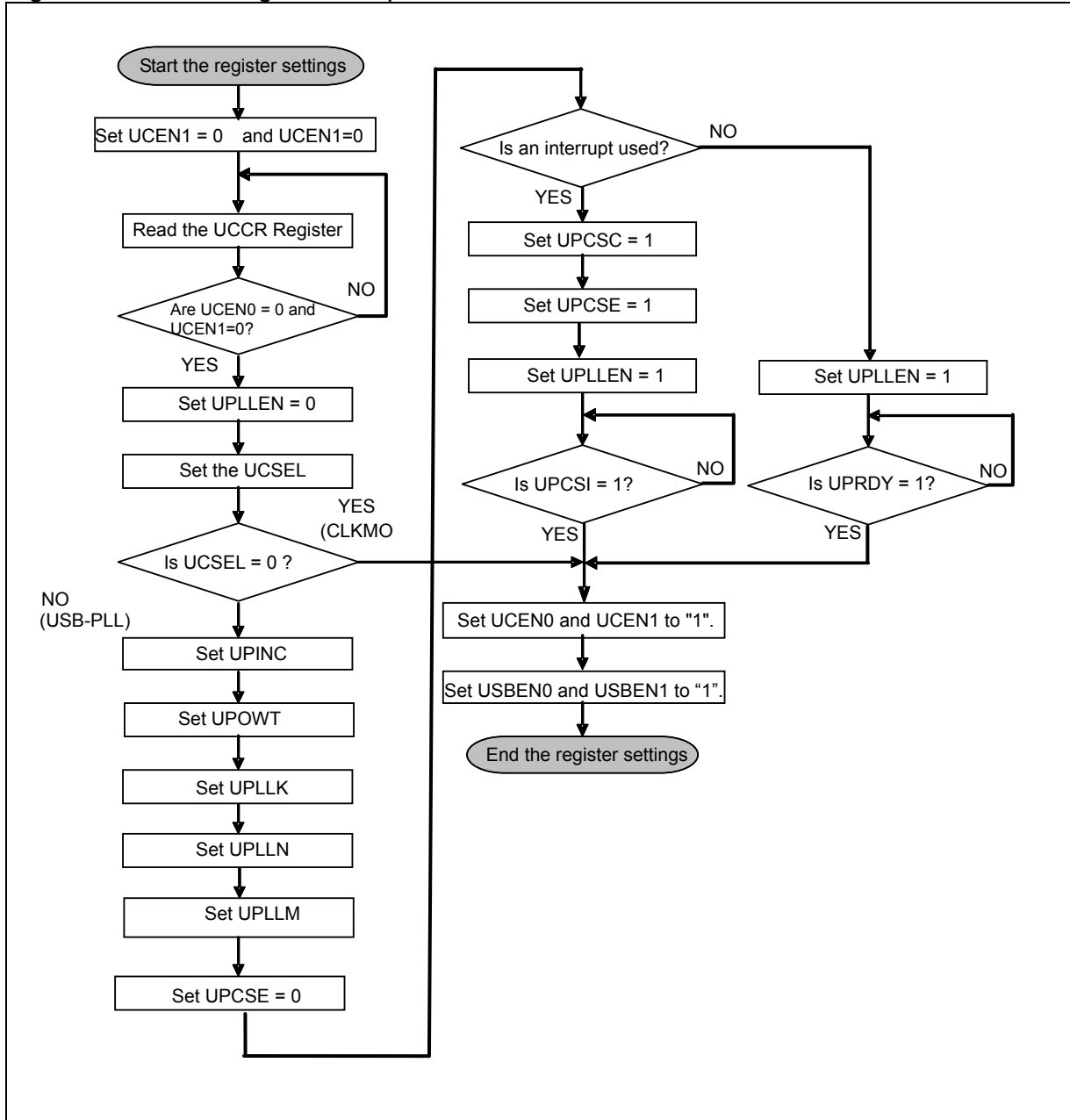
Before enabling the USB-PLL oscillation, configure the oscillation stabilization wait time for USB-PLL and the oscillation stabilization complete interrupt. Do not change the oscillation stabilization wait time while waiting for oscillation to stabilize.

4. Setup Procedure Example

This section explains an example of setting up the USB clock generation unit.

Figure 4-1 shows an example of setting up the USB clock.

Figure 4-1 USB clock generation procedure



5. Register List

This section explains the register list of the USB clock generation unit.

■ The register list of the USB clock generation unit

Abbreviation	Register name	Reference
UCCR	USB Clock Control Register	5.1
UPCR1	USB-PLL Control Register 1	5.2
UPCR2	USB-PLL Control Register 2	5.3
UPCR3	USB-PLL Control Register 3	5.4
UPCR4	USB-PLL Control Register 4	5.5
UPCR5	USB-PLL Control Register 5	5.6
UP_STR	USB-PLL Status Register	5.7
UPINT_ENR	USB-PLL Interrupt factor Enable Register	5.8
UPINT_STR	USB-PLL Interrupt factor Status Register	5.9
UPINT_CLR	USB-PLL Interrupt factor Clear Register	5.10
USBEN0	USB (ch.0) Enable Register	5.11
USBEN1	USB (ch.1) Enable Register	5.12

5.1. USB Clock Control Register (UCCR)

The UCCR selects the USB clock and enables/disables the USB clock output.

■ Register configuration

bit	7	6	5	4	3	2	1	0
Field	Reserved				UCEN1	Reserved	UCSEL	UCEN0
Attribute	-				R/W	-	R/W	R/W
Initial value	-				0	-	0	0

■ Register functions

[bit7:4] Reserved: Reserved bits

"0b0000" is read from these bits.

Set these bits to "0b0000" when writing.

[bit3]UCEN1: USB(ch.1) clock output enable bit

bit	Description
0	Disables USB(ch.1) clock output. [Initial value]
1	Enables USB(ch.1) clock output.

[bit2]Reserved: Reserved bit

"0" is read from this bit.

Set this bit to "0" when writing.

[bit1] UCSEL: USB clock selection bit

bit	Description
0	CLKMO [Initial value]
1	USB-PLL oscillation clock

[bit0] UCEN: USB clock output enable bit

bit	Description
0	Disables the USB (ch.0) clock output [Initial value]
1	Enables the USB (ch.0) clock output

<Notes>

- When selecting CLKMO as USB clock with UCSEL bit, the 48 MHz frequency must be input from an external main oscillation.
- This register is not initialized by software reset.

5.2. USB-PLL Control Register1 (UPCR1)

The UPCR1 sets USB-PLL.

■ Register configuration

bit	7	6	5	4	3	2	1	0
Field	Reserved						UPINC	UPLLEN
Attribute							R/W	R/W
Initial value							0	0

■ Register functions

[bit7:2] Reserved: Reserved bits

"0b000000" is read from these bits.

Set these bits to "0b000000" when writing.

[bit1] UPINC: USB-PLL input clock selection bit

bit	Description
0	CLKMO [Initial value]
1	Setting is prohibited.

[bit0] UPLLEN: USB-PLL oscillation enable bit

bit	Description
0	Stops USB-PLL [Initial value]
1	Enables the USB-PLL oscillation

<Notes>

- Be sure to set UPINC to "0". Operation is not guaranteed when UPINC is set to "1".
- This register is not initialized by software reset.

5.3. USB-PLL Control Register 2 (UPCR2)

The UPCR2 sets the oscillation stabilization wait time of USB-PLL.

■ Register configuration

bit	7	6	5	4	3	2	1	0
Field	Reserved					UPOWT		
Attribute						R/W		
Initial value						000		

■ Register functions

[bit7:3] Reserved: Reserved bits

"0b00000" is read from these bits.

Set these bits to "0b00000" when writing.

[bit2:0] UPOWT: USB-PLL oscillation stabilization wait time setting bits

bit2	bit1	bit0	Description
0	0	0	$2^9/F_{in}$: Approx. 128 μ s * [Initial value]
0	0	1	$2^{10}/F_{in}$: Approx. 256 μ s *
0	1	0	$2^{11}/F_{in}$: Approx. 512 μ s *
0	1	1	$2^{12}/F_{in}$: Approx. 1.02 ms *
1	0	0	$2^{13}/F_{in}$: Approx. 2.05 ms *
1	0	1	$2^{14}/F_{in}$: Approx. 4.10 ms *
1	1	0	$2^{15}/F_{in}$: Approx. 8.20 ms *
1	1	1	$2^{16}/F_{in}$: Approx. 16.4 ms *

*: When F_{in} = 4 MHz

<Notes>

- F_{in} is the clock (CLKMO) selected by UPINC.
- This register is not initialized by software reset.
- Since the oscillation stabilization wait time for PLL macro differs by products, refer to the use conditions of "PLL oscillation stabilization wait time" in "Data Sheet" of the product used.

5.4. USB-PLL Control Register 3 (UPCR3)

The UPCR3 sets the frequency division ratio (K) of USB-PLL macro.

■ Register configuration

bit	7	6	5	4	3	2	1	0
Field	Reserved				UPLLK			
Attribute	-				R/W			
Initial value	-				00000			

■ Register functions

[bit7:5] Reserved: Reserved bits

"0b000" is read from these bits.

Set these bits to "0b000" when writing.

[bit4:0] UPLLK: Frequency division ratio (K) setting bits of the USB-PLL clock

bit4:0	Description
00000	Divides the frequency by (UPLLK+1). The division ratio of 1 to 32 can be set by using the UPLLK value. (Example) UPLLK = "00000" => 1/1 frequency [Initial value]
00001	
•	
•	
11111	

<Note>

This register is not initialized by software reset.

5.5. USB-PLL Control Register 4 (UPCR4)

The UPCR4 Register sets the frequency division ratio (N) of USB-PLL.

● Register configuration

bit	7	6	5	4	3	2	1	0
Field	Reserved		UPLLN					
Attribute	-		R/W					
Initial value	-		0111011					

● Register functions

[bit7] Reserved: Reserved bit

"0b0" is read from this bit.

Set this bit to "0b0" when writing.

[bit6:0] UPLLN: Frequency division ratio (N) setting bits of the USB-PLL clock

bit6:0	Description
0000000	Setting is prohibited.
•	
0001100	
0001101	Divides the frequency by (UPLLN+1). The division ratio of 14 to 100 can be set by using the UPLLN value. (Example) UPLLN = "0111011" => 1/60 frequency [Initial value]
•	
•	
1100011	
1100100	
•	Setting is prohibited.
1111111	

<Note>

This register is not initialized by software reset.

5.6. USB-PLL Control Register 5 (UPCR5)

The UPCR5 sets the frequency division ratio (M) of USB-PLL.

● Register configuration

bit	7	6	5	4	3	2	1	0
Field	Reserved				UPLLM			
Attribute	-				R/W			
Initial value	-				0100			

● Register functions

[bit7:4] Reserved: Reserved bits

"0b0000" is read from these bits.

Set these bits to "0b0000" when writing.

[bit3:0] UPLLM: Frequency division ratio (M) setting bits of the USB-PLL clock

bit3:0	Description
0000	Divides the frequency by (UPLLM+1). The division ratio of 1 to 16 can be set by using the UPLLM value. (Example) UPLLM = "0100" => 1/5 frequency [Initial value]
0001	
•	
•	
1111	

<Note>

This register is not initialized by software reset.

5.7. USB-PLL Status Register (UP_STR)

The UP_STR indicates the macro status of USB-PLL.

■ Register configuration

bit	7	6	5	4	3	2	1	0
Field	Reserved							UPRDY
Attribute	-							R
Initial value	-							0

■ Register functions

[bit7:1] Reserved: Reserved bits

"0b0000000" is read from these bits.

Set these bits to "0b0000000" when writing.

[bit0] UPRDY: USB-PLL oscillation stabilization bit

bit	Description
0	In a stabilization wait or an oscillation stop state [Initial value]
1	In a stabilized state

<Note>

This register is not initialized by software reset.

5.8. USB-PLL Interrupt Factor Enable Register (UPINT_ENR)

The UPINT_ENR enables/disables the USB-PLL oscillation stabilization wait complete interrupt.

■ Register configuration

bit	7	6	5	4	3	2	1	0
Field	Reserved							UPCSE
Attribute	-							R/W
Initial value	-							0

■ Register functions

[bit7:1] Reserved: Reserved bits

"0b0000000" is read from these bits.

Set these bits to "0b0000000" when writing.

[bit0] UPCSE: USB-PLL oscillation stabilization wait complete interrupt enable bit

bit	Description
0	Disables the interrupt [Initial value]
1	Enables the interrupt

5.9. USB-PLL Interrupt Factor Status Register (UPINT_STR)

The UPINT_STR indicates the status of USB-PLL oscillation stabilization wait interrupts.

■ Register configuration

bit	7	6	5	4	3	2	1	0
Field	Reserved							UPCSI
Attribute	-							R
Initial value	-							0

■ Register functions

[bit7:1] Reserved: Reserved bits

"0b0000000" is read from these bits.

Set these bits to "0b0000000" when writing.

[bit0] UPCS: USB-PLL interrupt factor status bit

bit	Description
0	No interrupt has occurred [Initial value]
1	An interrupt has occurred

5.10. USB-PLL Interrupt Factor Clear Register (UPINT_CLR)

The UPINT_CLR is used to clear the USB-PLL interrupt factor.

■ Register configuration

bit	7	6	5	4	3	2	1	0
Field	Reserved							UPCSC
Attribute	-							W
Initial value	-							0

■ Register functions

[bit7:1] Reserved: Reserved bits

"0b0000000" is read from these bits.

Set these bits to "0b0000000" when writing.

[bit0] UPCSC: USB-PLL oscillation stabilization interrupt factor clear bit

bit	Description
0	Disabled [Initial value]
1	Clears the USB-PLL oscillation stabilization wait interrupt.

<Note>

Writing "1" to UPCSC bit of this register to clear the UPINT_STR Register.

5.11. USB(ch.0) Enable Register (USBEN0)

The USBEN0 enables/disables USB(ch.0) controller operation.

■ Register configuration

bit	7	6	5	4	3	2	1	0
Field	Reserved							USBEN0
Attribute	-							R/W
Initial value	-							0

■ Register functions

[bit7:1] Reserved: Reserved bits

"0b0000010" is read from these bits.

Set these bits to "0b0000010" when writing.

[bit0] USBEN0: USB(ch.0) enable bit

bit	Description
0	Disables the USB(ch.0) operation (Resets the USB controller) [Initial value]
1	Enables the USB(ch.0) operation

<Notes>

- When using USB(ch.0), set this bit to "1" previously.
- Supply at least five cycles of USB clocks to the USB controller before setting this bit to "1".

5.12. USB (ch.1) Enable Register (USBEN1)

The USBEN1 enables/disables USB(ch.1) controller operation.

■ Register configuration

bit	7	6	5	4	3	2	1	0
Field	Reserved							USBEN1
Attribute	-							R/W
Initial Value	-							0

■ Register functions

[bit7:1] Reserved: Reserved bits

"0b0000010" is read from these bits.

Set these bits to "0b0000010" when writing.

[bit0] USBEN1: USB(ch.1) enable bit

bit	Description
0	Disables the USB(ch.1) operation (Resets the USB controller) [Initial value]
1	Enables the USB(ch.1) operation

<Notes>

- When using USB (ch.1), set this bit to "1" previously.
- Supply at least five cycles of USB clocks to the USB controller before setting this bit to "1".

6. Usage Precautions

This section explains the precautions for using the clock generation unit.

- USB clock output setting and USB clock selection
Do not disable the USB (ch.0) clock output (UCEN = 0) and select the USB clock (UCSEL), or disable the USB (ch.1) clock output (UCEN = 1) and select the USB clock (UCSEL) at the same time.
Be sure to disable the USB clock output before selecting the USB clock.
- Setting the frequency division ratio of USB-PLL oscillation
When the PLL frequency division ratio is changed after stabilization of PLL oscillation, stop the PLL oscillation once, change the frequency division ratio, and then enable the PLL oscillation again.
- Selecting CLKMO
By writing "0" to the UCSEL bit, CLKMO is selected as the USB clock.
The main clock should be selected when CLKMO oscillates at 48 MHz.
- Setting the PLL oscillation stabilization wait time
Set the oscillation stabilization wait time with the PLL Oscillation Stabilization Wait Time Setting Register, and then enable PLL. Do not change the oscillation stabilization wait time while waiting for oscillation to stabilize.
- Selecting the USB-PLL input clock
By writing "1" to the UCSEL bit, the USB-PLL oscillation clock is selected as the USB clock.
Write "0" to the UPINC bit of the USB-PLL Control Register 1 (UPCR1), and be sure to select CLKMO as the USB-PLL input clock.

The following Table 6-1 shows relationship among the USB clock and UCSEL/UPLLEN/UPINC.

Table 6-1 USB clock and register settings

		UCSEL	UPLLEN	UPINC
When using the 48 MHz main clock		0	0	-
When using the PLL macro oscillation clock	CLKMO	1	1	0
	Setting is prohibited.	1	1	1

- Standby mode and the USB-PLL oscillation stabilization wait counter
If the mode changes to TIMER/STOP mode while waiting for the USB-PLL oscillation to stabilize, USB-PLL stops and the stabilization wait counter is cleared.
- Setting the USB enable bit and USB controller
To use the USB controller, enable the USB enable bit(USBEN). Supply the USB clock to the USB controller before enabling the USB enable bit(USBEN). For details on USB controller settings, see Chapters "USB Function" and "USB Host".

CHAPTER: USB/Ethernet Clock Generation

This chapter explains the USB/Ethernet clock generation.

1. Overview
2. Configuration and Block Diagram
3. Description of operation
4. Example of setting procedure
5. List of Registers
6. Usage Precautions

1. Overview

This section explains the overview of the USB/Ethernet clock generation.

The USB clock is a 48 MHz clock used by USB macro to communicate. The Ethernet clock is a 50 MHz (RMII)/25 MHz (MII) clock used for Ethernet communication.

By using this function, a USB (48 MHz) clock and Ethernet (50 MHz/25 MHz) clock can be generated simultaneously.

The following three methods are used to generate a USB/Ethernet clock:

- Using a 48 MHz or 50 MHz/25 MHz main clock (hereafter CLKMO) without change
- Using PLL for USB/Ethernet (hereafter USB/Ethernet-PLL) as a clock source
- Using a main PLL clock (hereafter CLKPLL) as a clock source

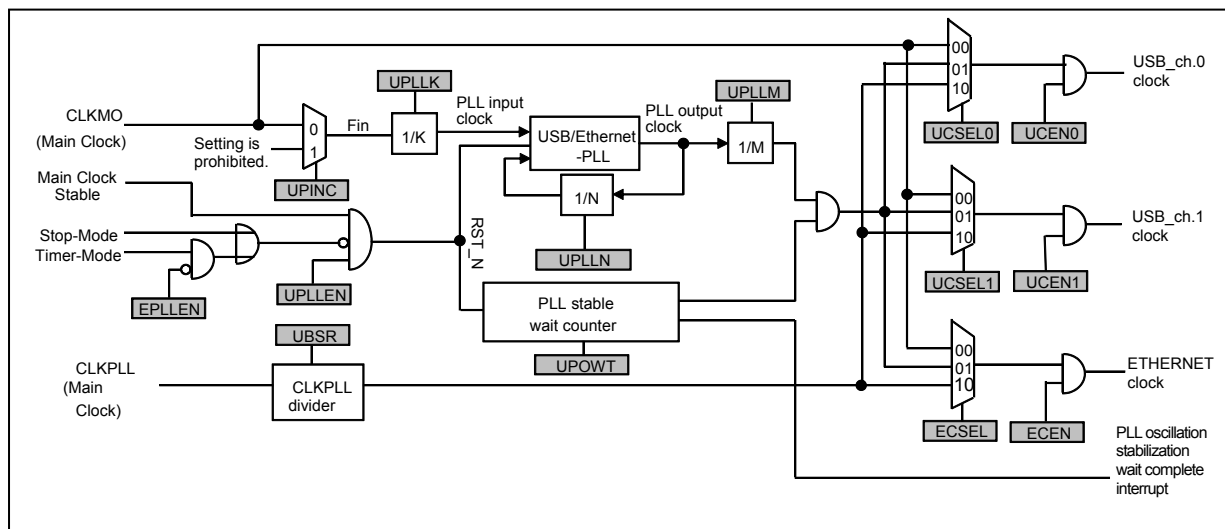
USB/Ethernet clock generation block has the following functions:

- USB/Ethernet clock output enable/disable setting
- Selection of USB/Ethernet clock
- USB/Ethernet-PLL oscillation enable/disable setting
- Selection of USB/Ethernet-PLL input clock
- USB/Ethernet-PLL input clock division setting
- USB/Ethernet-PLL output clock multiplication setting
- USB/Ethernet-PLL stabilization wait time setting
- USB/Ethernet clock stop in standby mode

2. Configuration and Block Diagram

This section describes the configuration of the USB/Ethernet clock generation block and block diagram.

Figure 2-1 Block diagram of USB/Ethernet clock generation block



■ USB/Ethernet-PLL control register (UPLLEN)

USB/Ethernet-PLL oscillation enable can be set by the control register.

■ Input clock selection register (UPINC)

CLKMO must be selected.

■ USB/Ethernet-PLL

- Division setting register (UPLLK, UPLLN, UPLLM)
To generate 48 MHz as a USB clock or 50 MHz/25 MHz as an Ethernet clock, settings of K division, N division, and M division are required.

Refer to the use conditions of "PLL input clock frequency", "PLL macro oscillation clock frequency", and "PLL multiplier" in "Data Sheet" of the product used for the specification range of input clock frequency, output clock frequency, and multiplier (N division setting value) of USB/Ethernet-PLL.

- Oscillation stabilization wait time setting register (UPOWT)
Oscillation stabilization wait time of the USB/Ethernet-PLL can be set.

■ CLKPLL input

- Division setting register (UBSR)
Division setting of CLKPLL must be executed.

■ Output clock

- Output clock selection register (UCSEL0, UCSEL1, ECSEL)
It can be selected from a CLKMO, USB/Ethernet-PLL output clock, or CLKPLL division clock.
- USB/Ethernet clock output enable register (UCEN0, UCEN1, ECEN)
USB/Ethernet clock output enable can be set.

■ Standby mode setting

- Oscillation of USB/Ethernet-PLL stops in TIMER mode or STOP mode. However, if USB/Ethernet-PLL is used as an Ethernet clock (ECSEL[1:0] = 01) and is set to EPLLEN = 1, oscillation stop of USB/Ethernet-PLL will not be executed in TIMER mode.
- The Main Clock stable signals described in Figure 2-1 are oscillation stabilization signals.

3. Description of operation

This section explains the operation of the USB/Ethernet clock generation block.

■ USB/Ethernet clock selection

A source clock of the USB/Ethernet clock can be selected from the following three types.

● CLKMO

CLKMO can be directly used as a USB clock or Ethernet clock. In this case, CLKMO needs to be externally input in 48 MHz or 50 MHz/25 MHz, or it needs to oscillate in 48 MHz or 50 MHz/25 MHz. Also, wait for output enable of the USB clock or Ethernet clock after confirming the oscillation stabilization of CLKMO.

● USB/Ethernet-PLL output clock

The USB/Ethernet-PLL output clock can be used as the source clock of the USB/Ethernet clock.

- When used as USB clock
USB/Ethernet-PLL output clock must be output in 240 MHz or 288 MHz to generate a 48 MHz clock by M division.
- When used as an Ethernet clock
The USB/Ethernet-PLL output clock must be output from 200 MHz to 300 MHz to generate a 50 MHz clock or 25 MHz clock by M division.

<Note>

If it is used as an Ethernet clock, the output clock of USB/Ethernet-PLL must not be divided by three (UPLLM = 0010) due to the specification restriction of Ethernet communication clock duty.

Table 3-1 shows the setting example of the PLL division ratio.

Table 3-1 Setting example of PLL division ratio

Fin (MHz)	Ethernet clock output 50MHz			Ethernet clock output 25MHz			USB clock output 48MHz		
	PLL output frequency 200MHz			PLL output frequency 200MHz			PLL output frequency 240MHz		
	K	N	M	K	N	M	K	N	M
4	1	50	4	1	50	8	1	60	5
8	1	25	4	1	25	8	1	30	5
16	2	25	4	2	25	8	1	15	5
24	3	25	4	6	50	8	2	20	5
25	5	40	4	*			5	48	5
48	6	25	4	6	25	8	*		
50	*			5	20	8	10	48	5

*: Use CLKMO directly as a USB clock or Ethernet clock without using USB/Ethernet-PLL.

3. Description of operation

● CLKPLL

CLKPLL can be divided to be used as a USB clock or Ethernet clock if needed.

<Note>

If this clock generation block is used as an Ethernet clock, CLKPLL must not be divided by three (UBSR = 0010) due to the specification restriction of Ethernet communication clock duty.

■ Transition to standby mode**● When executing a transition to standby mode**

Before executing a transition to standby mode (STOP mode or TIMER mode), set "0" to all UCEN0, UCEN1, and ECEN bits of UCCR register to stop supplying the USB clock and Ethernet clock.

1. Set UCCR:UCEN = 0, UCCR:UCEN1 = 0, and UCCR:ECEN = 0
2. Read UCCR register and confirm that UCEN0, UCEN1, and ECEN bits are "0".
3. Transition to the standby mode

When returning from standby mode, set UCEN0, UCEN1, and ECEN back to "1" if needed. When oscillation of the USB/Ethernet clock stabilizes, it starts supplying. Check the following to know if oscillation of the USB/Ethernet clock stabilizes.

a) When USB/Ethernet-PLL is used

Check if UPRDY = 1, or use USB/Ethernet-PLL oscillation stabilization wait interrupt.

b) When CLKMO (50 MHz/25 MHz or 48 MHz) is used

After stabilization of CLKMO oscillation, the USB/Ethernet clock is provided.

c) When CLKPLL is used

Check if SCM_STR:PLRDY = 1, or use PLL oscillation stabilization wait interrupt (see the chapter "Clock" in "PERIPHERAL MANUAL").

■ USB/Ethernet-PLL oscillation stabilization wait**● USB/Ethernet-PLL oscillation stabilization wait time setting**

After stabilization of CLKMO oscillation, start counting USB/Ethernet-PLL oscillation stabilization wait time.

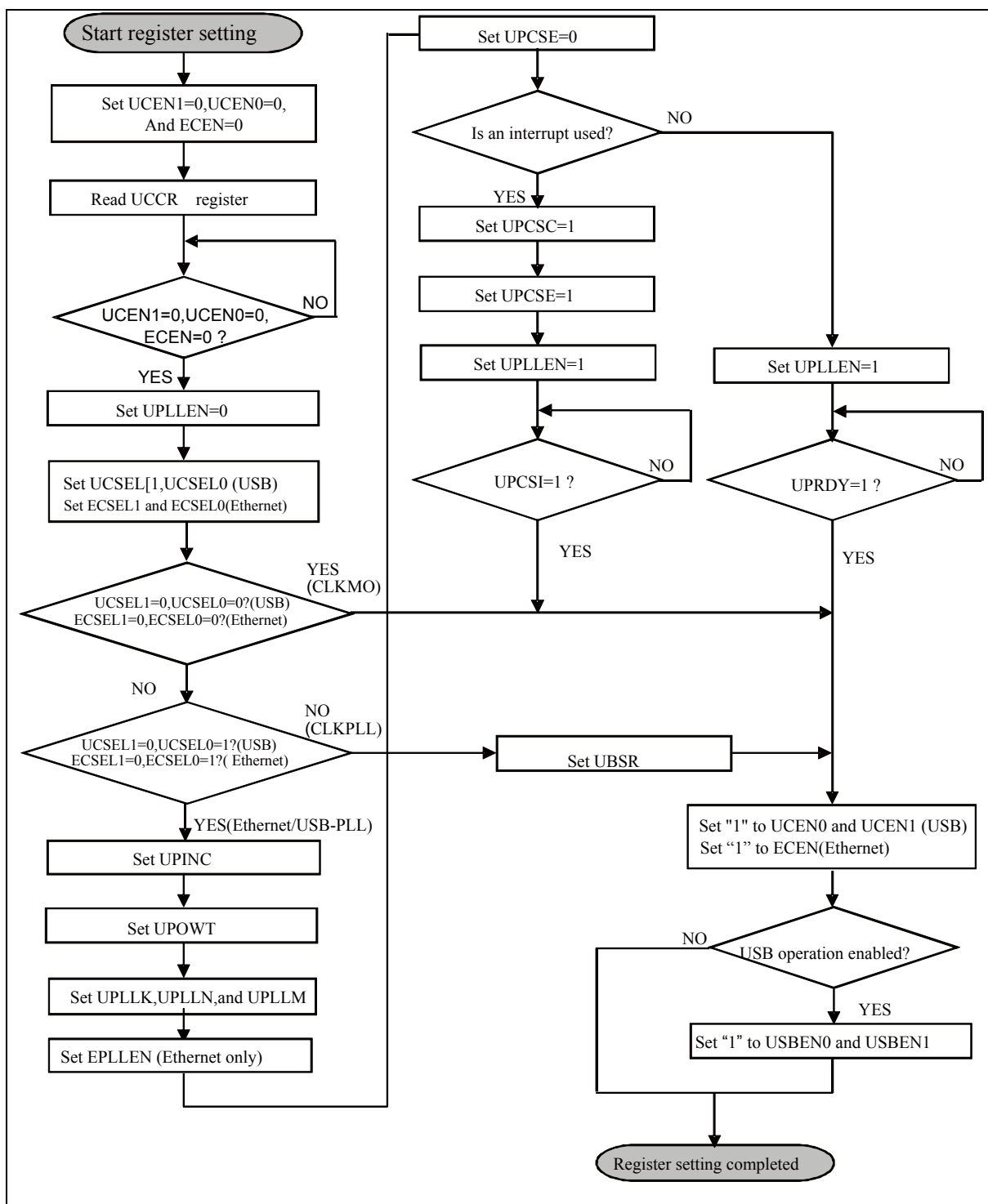
Before executing USB/Ethernet-PLL oscillation enable, set the USB/Ethernet-PLL oscillation stabilization wait time and oscillation stabilization complete interrupt. Do not change the oscillation stabilization wait time during the oscillation stabilization wait.

4. Example of setting procedure

This section describes the example of the setting procedure for the USB/Ethernet clock generation block.

Figure 4-1 shows the example of the setting procedure for the USB/Ethernet clock.

Figure 4-1 Procedure for USB/Ethernet clock generation



5. List of Registers

This section describes the list of registers for the USB/Ethernet clock generation block.

■ List of registers for the USB/Ethernet clock generation block

Abbreviation	Register Name	Reference
UCCR	USB/Ethernet clock control register	5.1
UPCR1	USB/Ethernet-PLL control register1	5.2
UPCR2	USB/Ethernet-PLL control register2	5.3
UPCR3	USB/Ethernet-PLL control register3	5.4
UPCR4	USB/Ethernet-PLL control register4	5.5
UPCR5	USB/Ethernet-PLL control register5	5.6
UPCR6	USB/Ethernet-PLL control register6	5.7
UPCR7	USB/Ethernet-PLL control register7	5.8
UP_STR	USB/Ethernet-PLL state register	5.9
UPINT_ENR	USB/Ethernet-PLL interrupt factor enable register	5.10
UPINT_STR	USB/Ethernet-PLL interrupt factor state register	5.11
UPINT_CLR	USB/Ethernet-PLL interrupt factor clear register	5.12
USBEN0	USB (ch.0) enable register	5.13
USBEN1	USB (ch.1) enable register	5.14

5.1. USB/Ethernet Clock Control Register (UCCR)

The UCCR register sets selection for the USB/Ethernet clock and output enable for the USB/Ethernet clock.

Register configuration

bit	7	6	5	4	3	2	1	0
Field	Reserved	ECSEL1	ECSEL0	ECEN	UCEN1	UCSEL1	UCSEL0	UCEN0
Attribute	-	R/W	R/W	R/W	R/W	R/W	R/W	R/W
Initial value	-	0	0	0	0	0	0	0

Register function

[bit7] Reserved: Reserved bit

From this bit, "0" is read.

When writing, set "0".

[bit6:5] ECSEL1/ECSEL0: Ethernet clock selection bits

bit6:5	Description
00	CLKMO [initial value]
01	USB/Ethernet-PLL oscillation clock
10	CLKPLL division clock
11	Reserved

[bit4] ECEN: Ethernet clock output enable bit

bit	Description
0	Disable Ethernet clock output [initial value]
1	Enable Ethernet clock output

[bit3] UCEN1: USB (ch.1) clock output enable bit

bit	Description
0	Disable USB (ch.1) clock output [initial value]
1	Enable USB (ch.1) clock output

[bit2:1] UCSEL1/UCSEL0: USB clock selection bits

bit2:1	Description
00	CLKMO [initial value]
01	USB/Ethernet-PLL oscillation clock
10	CLKPLL division clock
11	Reserved

5. List of Registers

[bit0] UCEN0: USB (ch.0) clock output enable bit

bit	Description
0	Disable USB (ch.0) clock output [initial value]
1	Enable USB (ch.0) clock output

<Notes>

- To select CLKMO as the USB clock in UCSEL[1:0] bits, input 48 MHz signal from the external main oscillation. Also, to select it as the Ethernet clock, input 50 MHz or 25 MHz signal from the external main oscillation.
 - This register is not initialized in software reset.
-

5.2. USB/Ethernet-PLL Control Register1 (UPCR1)

The UPCR1 register sets PLL for USB/Ethernet.

■ Register configuration

bit	7	6	5	4	3	2	1	0
Field	Reserved						UPINC	UPLLEN
Attribute	-						R/W	R/W
Initial value	-						0	0

■ Register function

[bit7:2] Reserved: Reserved bits

From these bits, "0b000000" is read.

When writing, set "0b000000".

[bit1] UPINC: USB/Ethernet-PLL input clock selection bit

bit	Description
0	CLKMO [initial value]
1	Setting is disabled

[bit0] UPLLEN: USB/Ethernet-PLL oscillation enable bit

bit	Description
0	Stop USB/Ethernet-PLL [initial value]
1	Enable USB/Ethernet-PLL oscillation

<Notes>

- "0" must be set in UPINC. If "1" is set, the operation will not be guaranteed.
- This register is not initialized in software reset.

5.3. USB/Ethernet-PLL Control Register2 (UPCR2)

The UPCR2 register sets the oscillation stabilization wait time of PLL for USB/Ethernet.

■ Register configuration

bit	7	6	5	4	3	2	1	0
Field	Reserved					UPOWT		
Attribute	-					R/W		
Initial value	-					000		

■ Register function

[bit7:3] Reserved: Reserved bits

From these bits, "0b00000" is read.

When writing, set "0b00000".

[bit2:0] UPOWT: USB/Ethernet-PLL oscillation stabilization wait time setting bits

bit2	bit1	bit0	Description
0	0	0	$2^9/\text{Fin}$: Approx. 128 μs^* [initial value]
0	0	1	$2^{10}/\text{Fin}$: Approx. 256 μs^*
0	1	0	$2^{11}/\text{Fin}$: Approx. 512 μs^*
0	1	1	$2^{12}/\text{Fin}$: Approx. 1.02 ms*
1	0	0	$2^{13}/\text{Fin}$: Approx. 2.05 ms*
1	0	1	$2^{14}/\text{Fin}$: Approx. 4.10 ms*
1	1	0	$2^{15}/\text{Fin}$: Approx. 8.20 ms*
1	1	1	$2^{16}/\text{Fin}$: Approx. 16.4 ms*

*: When Fin = 4 MHz.

<Notes>

- Fin is the clock selected in UPINC.
- This register is not initialized in software reset.
- Since the oscillation stabilization wait time for PLL macro differs by products, refer to the use conditions of "PLL oscillation stabilization wait time" in "Data Sheet" of the product used.

5.4. USB/Ethernet-PLL Control Register3 (UPCR3)

The UPCR3 register sets the division ratio (K) of PLL for Ethernet/USB.

■ Register configuration

bit	7	6	5	4	3	2	1	0
Field	Reserved			UPLLK				
Attribute	-			R/W				
Initial value	-			00000				

■ Register function

[bit7:5] Reserved: Reserved bits

From these bits, "0b000" is read.

When writing, set "0b000".

[bit4:0] UPLLK: USB/Ethernet-PLL clock division ratio (K) setting bits

bit4:0	Description
00000	Divided by (UPLLK + 1). The division ratio of 1 to 32 can be set by using the UPLIK value. (example) UPLLK = "00000" ⇒ 1 division [initial value]
00001	
.	
.	
11111	

<Note>

This register is not initialized in software reset.

5.5. USB/Ethernet-PLL Control Register4 (UPCR4)

The UPCR4 register sets the division ratio (N) of PLL for USB/Ethernet.

● Register configuration

bit	7	6	5	4	3	2	1	0
Field	Reserved		UPLLN					
Attribute	-		R/W					
Initial value	-		0111011					

● Register function

[bit7] Reserved: Reserved bit

From this bit, "0" is read.

When writing, set "0".

[bit6:0] UPLLN: USB/Ethernet-PLL clock division ratio (N) setting bits

bit6:0	Description
0000000	Setting is prohibited.
.	
0001100	
0001101	Divided by (UPLLN + 1). The division ratio of 14 to 100 can be set by using the UPLLN value. (example) UPLLN = "0111011" ⇒ 60 division [initial value]
.	
.	
1100011	
1100100	
.	Setting is prohibited.
1111111	

<Note>

This register is not initialized in software reset.

5.6. USB/Ethernet-PLL Control Register5 (UPCR5)

The UPCR5 register sets the division ratio (M) of PLL for USB/Ethernet.

■ Register configuration

bit	7	6	5	4	3	2	1	0
Field	Reserved				UPLLM			
Attribute	-				R/W			
Initial value	-				0100			

■ Register function

[bit7:4] Reserved: Reserved bits

From these bits, "0b0000" is read.

When writing, set "0b0000".

[bit3:0] UPLLM: USB/Ethernet-PLL clock division ratio (M) setting bits

bit3:0	Description
0000	Divided by (UPLLM + 1). The division ratio of 1 to 16 can be set by using the UPLLM value. (example) UPLLM = "0100" ⇒ 5 division [initial value]
0001	
.	
.	
1111	

<Note>

This register is not initialized in software reset.

5.7. USB/Ethernet-PLL Control Register6 (UPCR6)

The UPCR6 register sets the division ratio of CLKPLL.

■ Register configuration

bit	7	6	5	4	3	2	1	0
Field	Reserved				UBSR			
Attribute	-				R/W			
Initial value	-				0010			

■ Register function

[bit7:4] Reserved: Reserved bits

From these bits, "0b0000" is read.

When writing, set "0b0000".

[bit3:0] UBSR: CLKPLL division ratio setting bits

bit3:0	Description
0000	Divided by (UBSR + 1). The division ratio of 1 to 16 can be set by using the UBSR value. (example) UBSR = "0010" ⇒ 3 division [initial value]
0001	
.	
.	
1111	

<Note>

This register is not initialized in software reset.

5.8. USB/Ethernet-PLL Control Register7 (UPCR7)

The UPCR7 register controls USB/Ethernet-PLL in TIMER mode.

■ Register configuration

bit	7	6	5	4	3	2	1	0
Field	Reserved							EPLLEN
Attribute	-							R/W
Initial value	-							0

■ Register function

[bit7:1] Reserved: Reserved bits

From these bits, "0b0000000" is read.

When writing, set "0b0000000".

[bit0] EPLLEN: USB/Ethernet-PLL control bit in Timer mode

bit	Description
0	Stop USB/Ethernet-PLL in TIMER mode.
1	Does not stop USB/Ethernet-PLL in TIMER mode.

<Note>

This register is not initialized in software reset.

5.9. USB/Ethernet-PLL State Register (UP_STR)

The UP_STR register indicates the state of USB/Ethernet-PLL.

■ Register configuration

bit	7	6	5	4	3	2	1	0
Field	Reserved							UPRDY
Attribute	-							R
Initial value	-							0

■ Register function

[bit7:1] Reserved: Reserved bits

From these bits, "0b0000000" is read.

When writing, set "0b0000000".

[bit0] UPRDY: USB/Ethernet-PLL oscillation stabilization bit

bit	Description
0	Stabilization wait or oscillation stop state [initial value]
1	Stabilization state

<Note>

This register is not initialized in software reset.

5.10. USB/Ethernet-PLL Interrupt Factor Enable Register (UPINT_ENR)

The UPINT_ENR register sets enable/disable of USB/Ethernet-PLL oscillation stabilization wait complete interrupt.

■ Register configuration

bit	7	6	5	4	3	2	1	0
Field	Reserved							UPCSE
Attribute	-							R/W
Initial value	-							0

■ Register function

[bit7:1] Reserved: Reserved bits

From these bits, "0b0000000" is read.

When writing, set "0b0000000".

[bit0] UPCSE: USB/Ethernet-PLL oscillation stabilization wait complete interrupt enable bit

bit	Description
0	Disable generation of interrupt [initial value]
1	Enable generation of interrupt

5.11. USB/Ethernet-PLL Interrupt Factor State Register (UPINT_STR)

The UPINT_ENR register indicates the state of USB/Ethernet-PLL oscillation stabilization wait interrupt.

■ Register configuration

bit	7	6	5	4	3	2	1	0
Field	Reserved							UPCSI
Attribute	-							R
Initial value	-							0

■ Register function

[bit7:1] Reserved: Reserved bits

From these bits, "0b0000000" is read.

When writing, set "0b0000000".

[bit0] UPCS: USB/Ethernet-PLL interrupt factor state bit

bit	Description
0	Interrupt does not occur [initial value]
1	Interrupt occurs

5.12. USB/Ethernet-PLL Interrupt Factor Clear Register (UPINT_CLR)

The UPINT_ENR register sets USB/Ethernet-PLL interrupt factor clear.

■ Register configuration

bit	7	6	5	4	3	2	1	0
Field	Reserved							UPCSC
Attribute	-							W
Initial value	-							0

■ Register function

[bit7:1] Reserved: Reserved bits

From these bits, "0b0000000" is read.

When writing, set "0b0000000".

[bit0] UPCSC: USB/Ethernet-PLL oscillation stabilization interrupt generation factor clear bit

bit	Description
0	Null [initial value]
1	Clear the USB/Ethernet-PLL oscillation stabilization wait interrupt

<Note>

If this register is written and cleared, the UPINT_STR register will be cleared.

5.13. USB (ch.0) Enable Register (USBEN0)

The USBEN0 register sets operation enable of USB (ch.0) controller.

■ Register configuration

bit	7	6	5	4	3	2	1	0
Field	Reserved							USBEN0
Attribute	-							R/W
Initial value	-							0

■ Register function

[bit7:1] Reserved: Reserved bits

From these bits, "0b0000010" is read.

When writing, set "0b0000010".

[bit0] USBEN0: USB (ch.0) enable bit

bit	Description
0	Disable USB (ch.0) operation (reset USB controller block) [initial value]
1	Enable USB (ch.0) operation

<Notes>

- To use a USB (ch.0), firstly set "1" to this bit.
- Set "1" after supplying more than 5 cycles of the USB clock to the USB controller.

5.14. USB (ch.1) Enable Register (USBEN1)

The USBEN register sets operation enable of USB (ch.1) controller.

■ Register configuration

bit	7	6	5	4	3	2	1	0
Field	Reserved							USBEN1
Attribute	-							R/W
Initial value	-							0

■ Register function

[bit7:1] Reserved: Reserved bits

From these bits, "0b0000010" is read.

When writing, set "0b0000010".

[bit0] USBEN1: USB (ch.1) enable bit

bit	Description
0	Disable USB (ch.1) operation (reset USB controller block) [initial value]
1	Enable USB (ch.1) operation

<Notes>

- To use a USB (ch.1), firstly set "1" to this bit.
- Set "1" after supplying more than 5 cycles of the USB clock to the USB controller.

6. Usage Precautions

This section describes precautions for the clock generation block.

- USB clock output setting and selection of USB clock
Do not execute USB (ch.0) clock output disable (UCEN0 = 0) and USB clock selection (UCSEL0, UCSEL1), or USB (ch.1) clock output disable (UCEN1 = 0) and USB clock selection (UCSEL0, UCSEL1) simultaneously.
Make sure to execute first USB clock output disable and then USB clock selection.
- Division ratio setting of USB/Ethernet-PLL oscillation
To change PLL division ratio after stabilization of PLL oscillation, firstly stop PLL oscillation. After changing the division ratio, enable PLL oscillation again.
- Selection of CLKMO
If UCSEL0 = 0 and UCSEL1 = 0 are set, CLKMO will be selected for the USB/Ethernet clock. Select CLKMO only when CLKMO is oscillating at 48 MHz (used in USB) or 50 MHz/25 MHz (used in Ethernet).
- USB/Ethernet-PLL oscillation stabilization wait time setting
Enable PLL after setting the oscillation stabilization wait time in the PLL oscillation stabilization wait time setting register. Do not change the oscillation stabilization wait time while in oscillation stabilization wait.
- Selection of USB/Ethernet-PLL input clock
A source clock of the USB clock and Ethernet clock can be selected by UCSEL0 and UCSEL1 settings and ECSEL0 and ECSEL1 settings. Also, a separate source clock can be specified for the USB clock and Ethernet clock.

Table 6-1 shows the setting values of registers related to source clock selection.

Table 6-1 List of register settings for each USB/Ethernet clock source selection

USB clock source	CLKMO (48 MHz)		USB/Ethernet-PLL output clock		CLKPLL	
	USB/Ethernet-PLL output clock	CLKPLL	CLKMO (50 MHz/25 MHz)	CLKPLL	CLKMO (50MHz/25 MHz)	USB/Ethernet-PLL output clock
Ethernet clock source						
Setting value	UCSEL1 = 0 UCSEL0 = 0 ECSEL1 = 0 ECSEL0 = 1 UPLLEN = 1	UCSEL1 = 0 UCSEL0 = 0 ECSEL1 = 1 ECSEL0 = 0 UPLLEN = 1	UCSEL1 = 0 UCSEL0 = 1 ECSEL1 = 0 ECSEL0 = 0 UPLLEN = 1	UCSEL1 = 0 UCSEL0 = 1 ECSEL1 = 1 ECSEL0 = 0 UPLLEN = 1	UCSEL1 = 1 UCSEL0 = 0 ECSEL1 = 0 ECSEL0 = 0 UPLLEN = 1	UCSEL1 = 1 UCSEL0 = 0 ECSEL1 = 0 ECSEL0 = 1 UPLLEN = 1

- Standby mode and USB/Ethernet-PLL oscillation stabilization wait counter
By executing a transition to TIMER/STOP mode during USB/Ethernet-PLL oscillation stabilization wait time, PLL stops and the stabilization wait counter is cleared (except for TIMER mode when EPLLEN = 1 and ECSEL[1:0] = 01).
- Settings of USB enable bit and USB controller
When using the USB controller, enable USB enable bit (USBEN). Also, enable USB enable bit (USBEN) after supplying the USB clock to the USB controller. As for the details on the USB controller setting, see the chapters "USB Function" and "USB Host".

CHAPTER: USB Function

This chapter explains the USB function.

1. Overview of USB Function
2. Configuration of USB Function
3. Operations of USB Function
4. Examples of USB Function Setting Procedures
5. USB Function Registers

1. Overview of USB Function

The USB function is an interface supporting the USB (Universal Serial Bus) communication protocol. It supports full-speed transfer mode (12 Mbps), and has the following features.

1.1. Features of USB function

- Full-speed (12 Mbps) transfer supported.
- Auto answered device status.
- Automatic generation and check of bit stripping, bit stuffing, CRC5, and CRC16.
- Toggle check by data synchronization bit.
- Auto-answer to all standard commands other than the Get/SetDescriptor and SynchFrame commands (these three commands can be processed similarly as class vendor commands).
- The class vendor commands can be received as data and responded by firmware.
- Up to 6 Endpoints supported. (Endpoint 0 is fixed to control transfer)
- Each Endpoint includes 2 buffers for data transfer.
(Endpoint 0 includes each buffer exclusively for IN and OUT directions)
- Automatic data transfer via DMA supported (except Endpoint 0 buffers).

<Note>

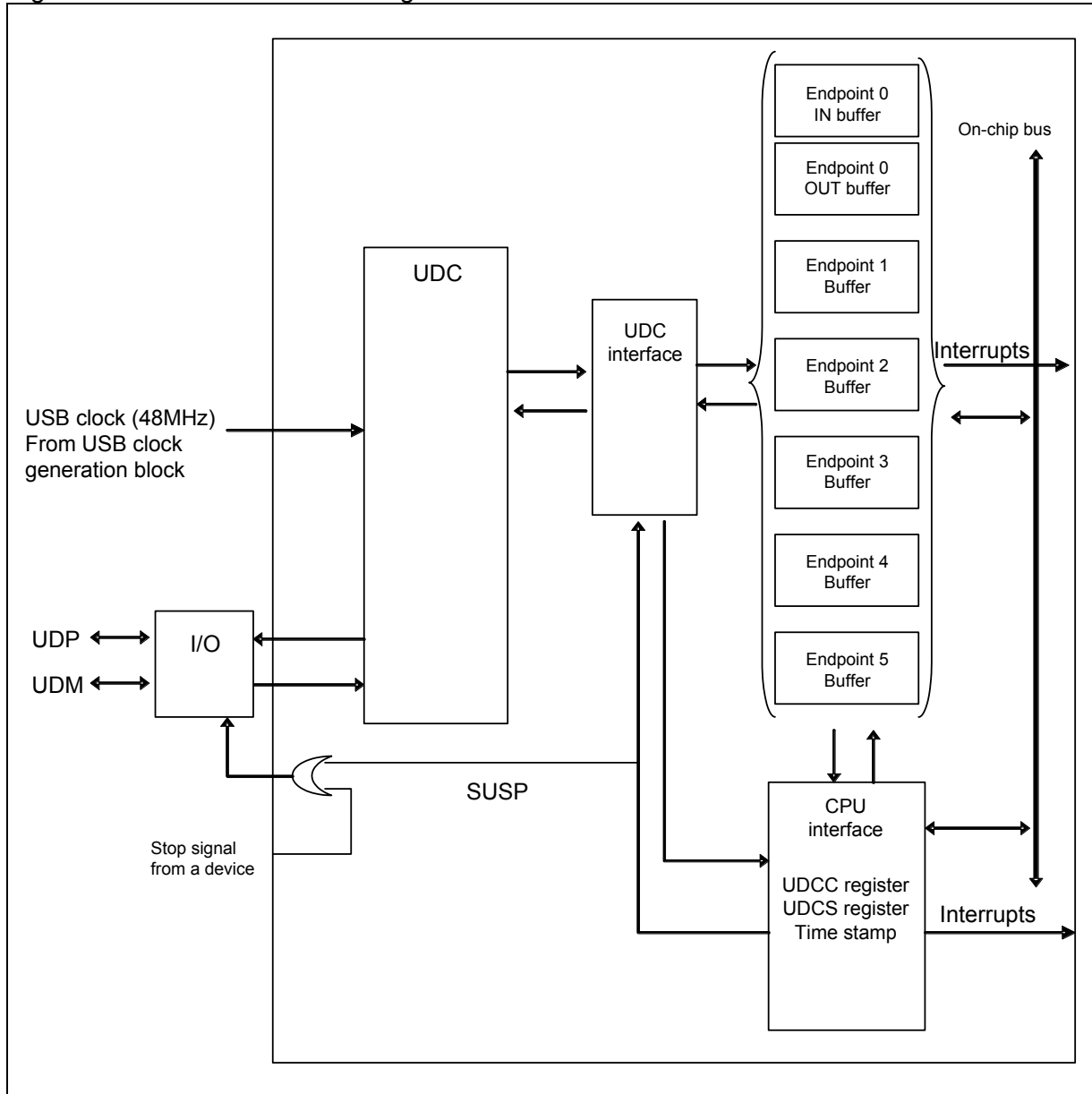
Set the base clock (HCLK) to 13 MHz or higher when using the USB function.

2. Configuration of USB Function

Figure 2-1 shows the block diagram of the USB function.

■ USB function block diagram

Figure 2-1 USB function block diagram



■ Configuration of endpoint for USB function

Configuration combination	Configuration	Interface	Alternate	Endpoint	Type
Comb1	-	-	-	0	CTRL
	1	0	0	1	Bulk/Interrupt
		0	0	2	Bulk/Interrupt
		0	0	3	Bulk/Interrupt
		0	0	4	Bulk/Interrupt
		0	0	5	Bulk/Interrupt
Comb2	-	-	-	0	CTRL
	1	1	0	-	-(*1)
		1	1	1	ISO
		0	0	2	Bulk/Interrupt
		0	0	3	Bulk/Interrupt
		0	0	4	Bulk/Interrupt
		0	0	5	Bulk/Interrupt
Comb3	-	-	-	0	CTRL
	1	1	0	-	-(*1)
		1	1	1	ISO
		2	0	-	-(*1)
		2	1	2	ISO (*2)
		0	0	3	Bulk/Interrupt
		0	0	4	Bulk/Interrupt
		0	0	5	Bulk/Interrupt

Comb1: Configuration when ISO is not set to Types of Endpoint1 and Endpoint2

Comb2: Configuration when ISO is set to Type of Endpoint1

Comb3: Configuration when ISO is set to Types of Endpoint1 and Endpoint2

*1: When isochronous is set, the endpoint does not exist for Alternate=0.

Set "0" for the number of interface descriptor endpoints for Alternate=0.

*2: When ISO is set to Type of Endpoint2, ISO must be also set to Type of Endpoint1.

3. Operations of USB Function

The USB function supports the USB (Universal Serial Bus) communication protocol. Its hardware supports the basic protocol operation (handshake). Therefore, USB communication can be implemented by processing only transfer data.

- 3.1 USB function operation
- 3.2 Detection of connection and disconnection
- 3.3 Operation of each register in response to a command
- 3.4 Suspend function
- 3.5 Wake-up function
- 3.6 DMA transfer function
- 3.7 NULL transfer function
- 3.8 STALL response/release of Endpoint 0
- 3.9 STALL response/release of Endpoint 1 to Endpoint 5

3.1. USB function operation

To use the USB function, take the following steps for setup.

1. Configure the USB clock generation block while the USB Enable Register (USBEN) disables USB operation (USBEN = 0).
2. Enable the USB clock output.
3. Enable USB operation (USBEN = 1).

The USB function transfers packets bi-directionally to/from a host controller that supports the USB protocol. Connection with the host and devices, and configuration are enumerated. Communications are implemented subsequently in different transfer types using device drivers.

The following explains the operation of USB communication between the host and devices by taking an enumeration for example.

Behaviors of registers and USB packets are shown here to provide details of the entire process.

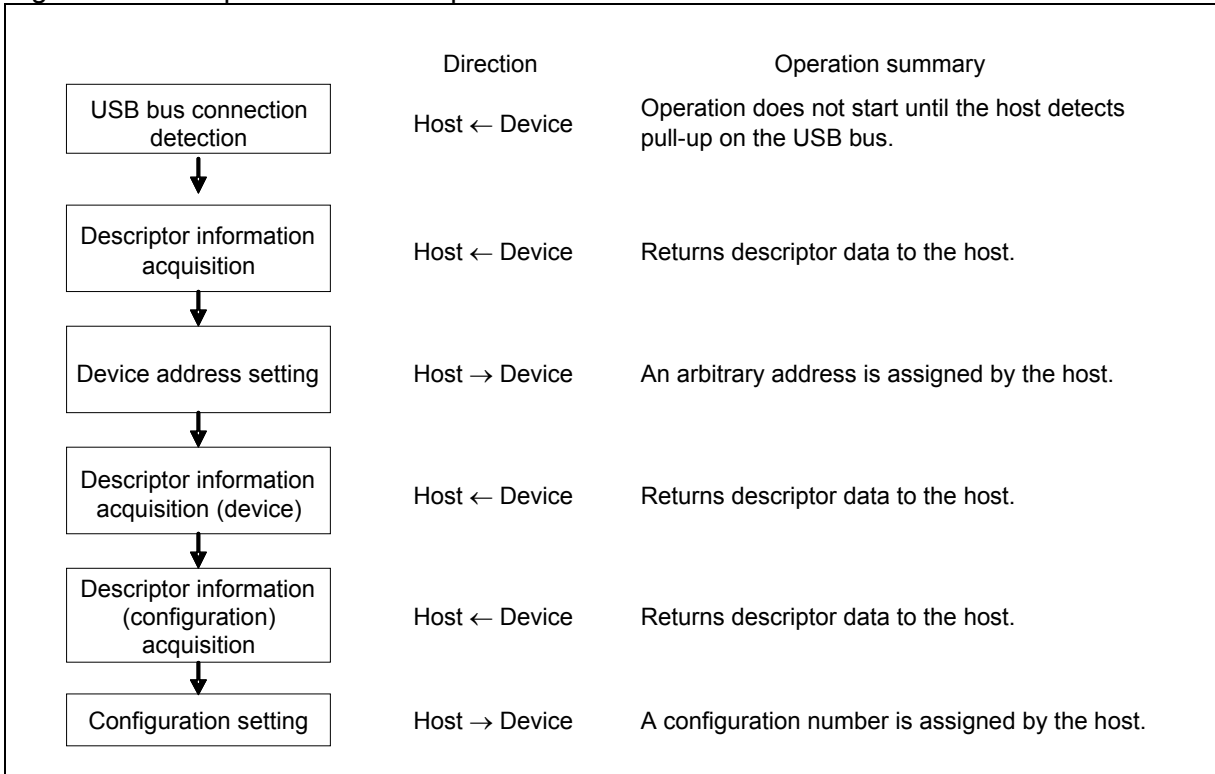
■ Enumeration

Enumeration is the first process for USB operation to establish connection between the host and devices. The host investigates what types of devices are connected on the USB bus by using USB control transfer (a USB transfer type). (Defined in the USB specification) This process uses EP0 (Endpoint 0) from the six Endpoints (as defined in the USB specification).

To use EP1 to EP5, reception and processing on the USB bus are required in the following order:

1. Resetting the USB bus
2. Setting the address by SET_Address
3. Setting configuration by SET_Config

Figure 3-1 Example of USB cable pin connection



• USB bus connection detection

The connection is reported from a device to the host.

The host monitors two signal lines (D+ and D-) on the USB bus, and finds the connection of a device if either of the signals turns to HIGH level.

For a detailed procedure explaining how to use the device in self-powered mode, see "3.2 Detection of connection and disconnection". To use the device as bus-powered, follow the procedure given in "Initial register setting and operation start procedures".

● Initial register setting and operation start procedures

The following shows an example initial setting procedure of USB function registers.

1. Set EP0 configuration (such as packet size) by the EP0C register.
2. Set EPEN, DIR, or TYPE of each Endpoint by the EP1C to EP5C registers.
3. Clear the RST bit in the UDCC register.
4. Clear BFINI in the EP0IS, EP0OS, and EP1S to EP5S registers.
5. Clear the HCONX bit in the UDCC register.

● USB bus reset

The USB device core is initialized when the host executes a bus reset on the device, but register and buffer states are not initialized.

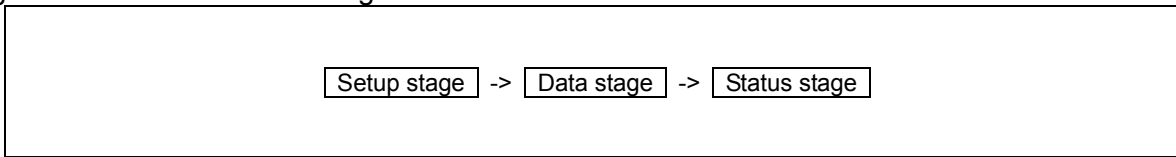
Take the following steps to process the device. (The process is not required in the initial bus reset after USB connection.)

1. Initialize the buffer by the BFINI bit in the EP0I Status Register (EP0IS), the BFINI bit in the EP0O Status Register (EP0OS), and the BFINI bit in the EP1 to EP5 Status Registers (EP1S to EP5S).
2. Return firmware control to the state before the enumeration.

● **Descriptor acquisition**

When the host requests a device, the device reports data to the host in reply to the request.
The communication is broken up into the following three stages.

Figure 3-2 Communication stages



The setup stage checks whether the device has received the packets from the host successfully and decodes the command. The descriptor information to be returned in the next data stage is prepared in the send buffer in this stage. The data stage checks whether the host has sent data successfully. In the status stage, the host sends a packet without data to end the transfer.

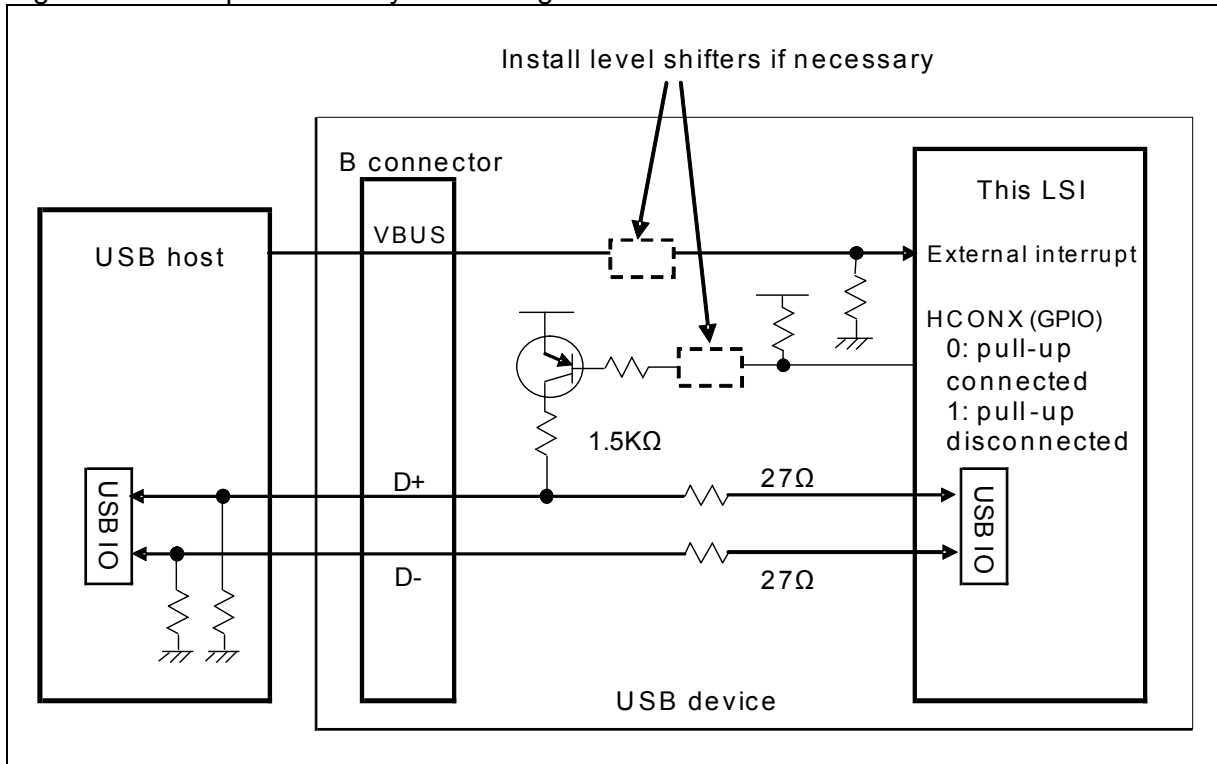
3.2. Detection of connection and disconnection

The following explains about detecting connection and disconnection to/from the USB host.

■ Example of USB system connection

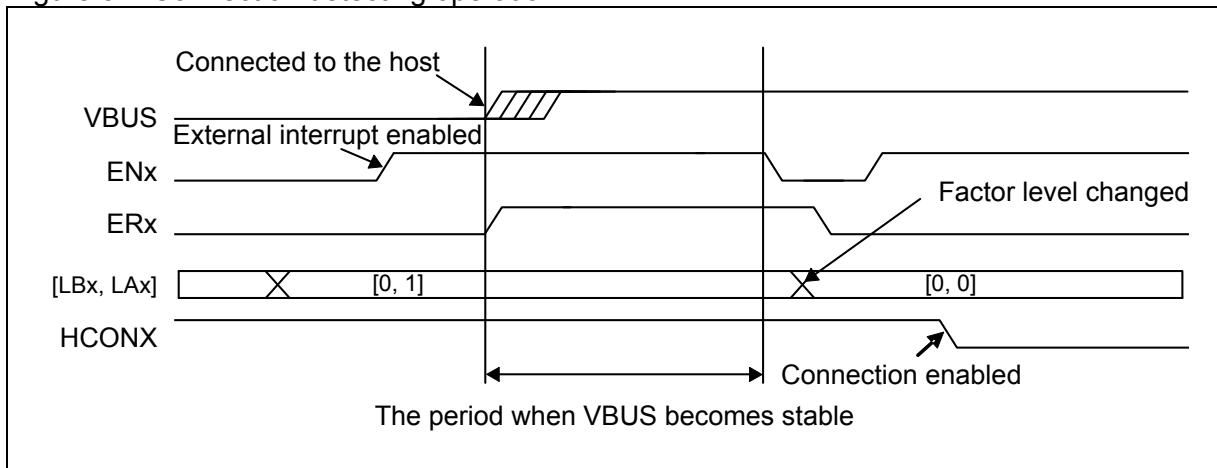
By connecting an external interrupt pin to the VBUS pin of the USB connector, and installing a pull-down resistor onto the VBUS signal, disconnection from the USB host can be detected. Figure 3-3 shows an example connection of USB connector with D+, D- and VBUS.

Figure 3-3 Example of USB system configuration



● Connection detection

Figure 3-4 Connection detecting operation



A device finds and processes the connection with the host in the following sequence:

1. The HCONX bit in the UDCC register must be set to "1". (When controlling a pull-up resistor on a general-purpose port, set the port to the pull-up resistor disconnection.)
2. Set the source level of external interrupts connected with VBUS to HIGH level detection to enable interrupts.
3. Find the USB host connection by the detection of HIGH level of the external interrupt pin, and waits for the period the VBUS becomes stable.
4. Disable external interrupts once. Change the external interrupt factor level to LOW to clear the interrupt source, and enable external interrupts again.
5. Configure the initial settings (Initialize all components including the USB function registers.) See "Initial register setting and operation start procedures" in this section.
6. Connect the pull-up resistor to D+ by clearing^{*1} the HCONX bit in the UDCC register.^{*2}

*1 : When control the pull-up resistor on a general-purpose port, clear the HCONX bit in the UDCC register, and set the pull-up resistor control general-purpose port to the pull-up resistor connection.

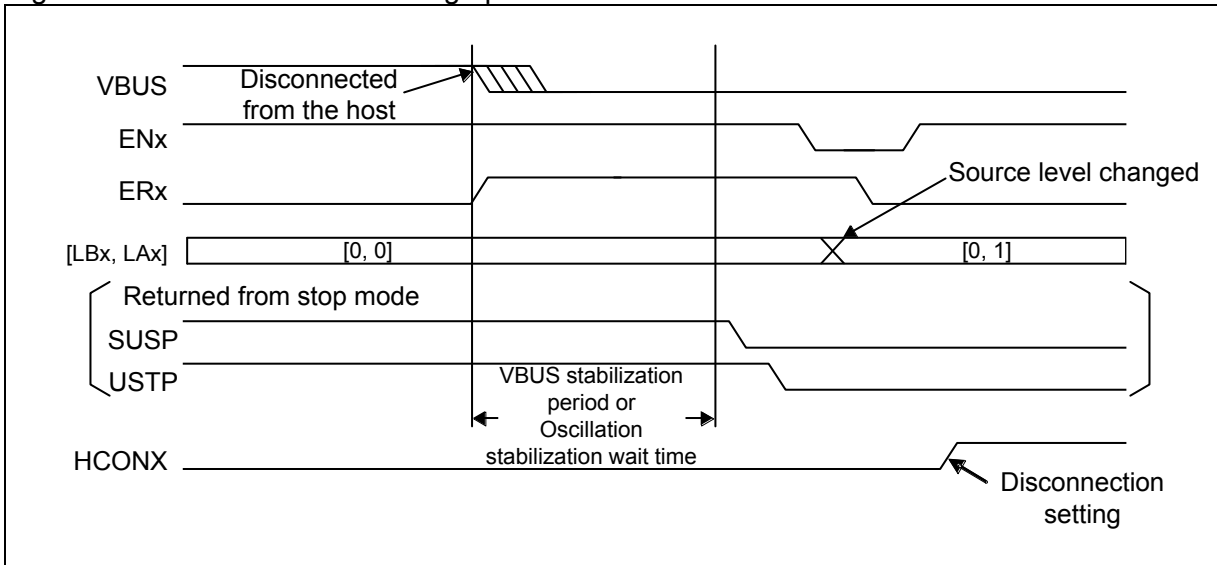
*2 : Clear the HCONX bit even if the pull-up resistor is not controlled.

<Note>

If an external noise filter is installed on the external interrupt pin, the above VBUS stabilization period does not need to be set by the program.

● **Disconnection detection**

Figure 3-5 Disconnection detecting operation



A device finds and processes the disconnection from the host in the following sequence:

1. Find the disconnection of the USB host by detecting LOW level of the external interrupt pin connected to VBUS.
2. When returned from stop mode or timer mode
After the oscillation stabilization wait time, clear in the order of SUSP in the UDCCS register and USTP in the UDCC register.
In other than stop mode and timer mode wait for the period the VBUS becomes stable.
3. Disable external interrupts once. Change the external interrupt factor level to HIGH to clear the interrupt factor, and enable external interrupts again.
4. Disconnect the pull-up resistor from D+ by setting^{*1} the HCONX bit in the UDCC register.^{*2}

*1 : When controlling the pull-up resistor on a general-purpose port, set the HCONX bit in the UDCC register, and set the pull-up resistor control general-purpose port to the pull-up resistor disconnection.

*2 : Set the HCONX bit even if the pull-up resistor is not controlled.

<Note>

If an external noise filter is installed on the external interrupt pin, the above VBUS stabilization period does not need to be set by the program.

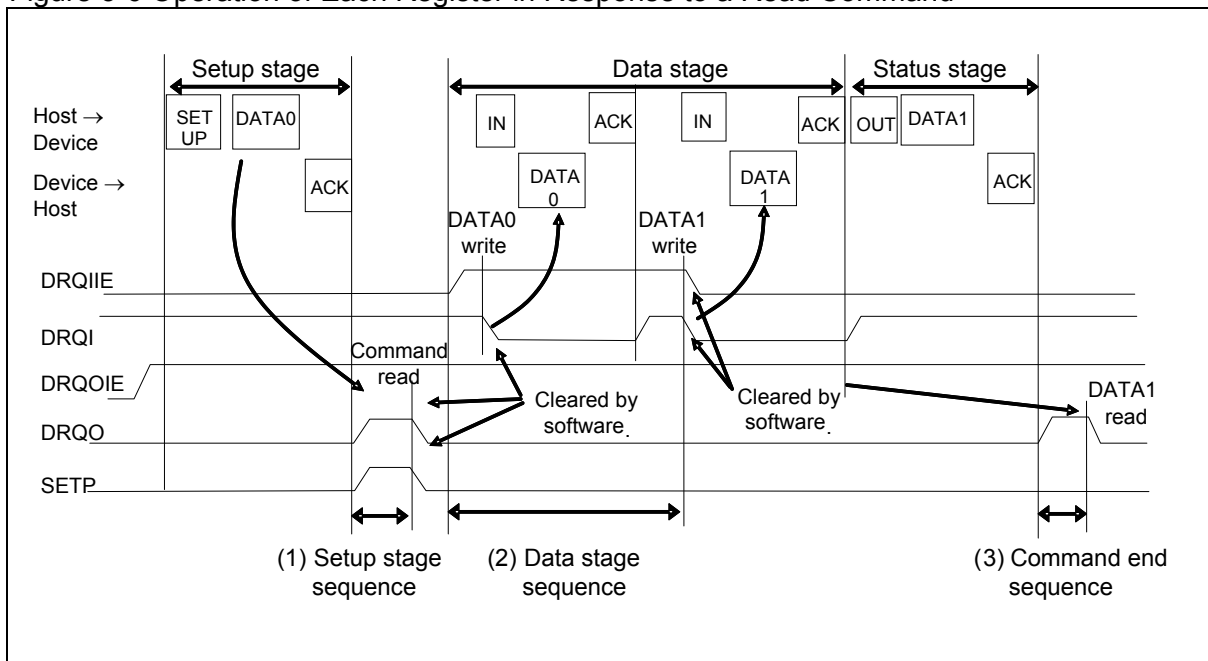
3.3. Operation of each register in response to a command

The following explains the method (architecture) to process USB packets. Responding to CPU interrupts, the firmware sequence is processed for each handshake. This is equivalent to the processing of each packet on the stage basis.

■ Operation of each register in response to a read command

The following explains the case of GetDescriptor, SynchronFrame, and class vendor commands.

Figure 3-6 Operation of Each Register in Response to a Read Command



(1) Setup stage sequence

Upon the receipt of the setup stage, DRQO changes to "1". Immediately when DRQO has changed, enter the CPU interrupt and check the SETP flag. If the flag is "1", read required bits of the command in the receive buffer. (Not necessarily read all the eight bytes.) Subsequently, decode the command, configure required settings, clear the SETP flag and the DRQO interrupt factor, and return.

(2) Data stage sequence

If the command decoding concludes that the data stage is in the IN direction, enable DRQIE,* and transfer outgoing data to the send buffer by the CPU interrupt. When the transfer has finished, clear the DRQI interrupt factor, and return.

*: The DRQI interrupt factor is initially set to "1", and is only used to enable interrupts.

DRQI is set when the data packet to the IN direction has finished. The CPU interrupt is entered immediately when DRQI has been set, and outgoing data is transferred to the send buffer in preparation for the next data packet. When the transfer has finished, clear the interrupt source DRQI, and return.

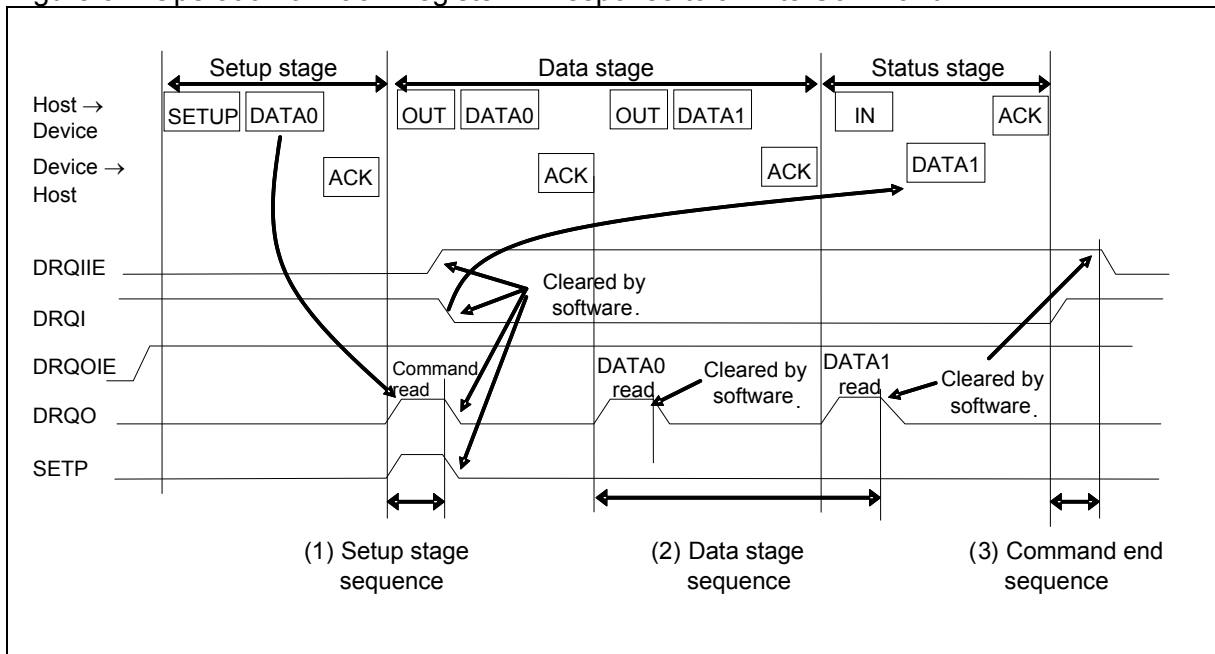
(3) Command end sequence

DRQO is set when the status stage to OUT direction has finished. Immediately when DRQO is set, enter the CPU interrupt and check that the number of received data units is 0. In preparation for the next setup stage, clear the interrupt factor DRQO, and return.

■ Operation of each register in response to a write command

The following explains the case of SetDescriptor and class vendor commands.

Figure 3-7 Operation of Each Register in Response to a write Command



(1) Setup stage sequence

Upon the receipt of the setup stage, DRQO changes to "1". Immediately when DRQO has changed to "1", enter the CPU interrupt and check the SETP flag. If the flag is "1", read required bits of the command in the receive buffer. (Not necessarily read all the eight bytes.) Subsequently, decode the command, configure required settings.

In preparation of 0-byte response in the status stage, do not write data to the send buffer, and set DRQI to "0" (as the DRQI interrupt factor is initially set to "1"). Set the DRQIIE to "1" to check a successful completion of the status stage. Clear the SETP flag and the DRQO interrupt factor to return from the interrupt.

(2) Data stage sequence

DRQO is set when the data packed to OUT direction has finished. Immediately when DRQO is set, enter the CPU interrupt and check SIZE in the EP0 Status Register. Use DMA limited to received data, or use CPU read access to read data from the receive buffer. Subsequently, clear interrupt factor DRQO to return from the interrupt.

(3) Command end sequence

DRQI is set when the status stage to the IN direction has finished. Immediately when DRQI is set, enter the CPU interrupt and check that the status stage has finished successfully. Subsequently, clear interrupt factor DRQI, and return.

3.4. Suspend function

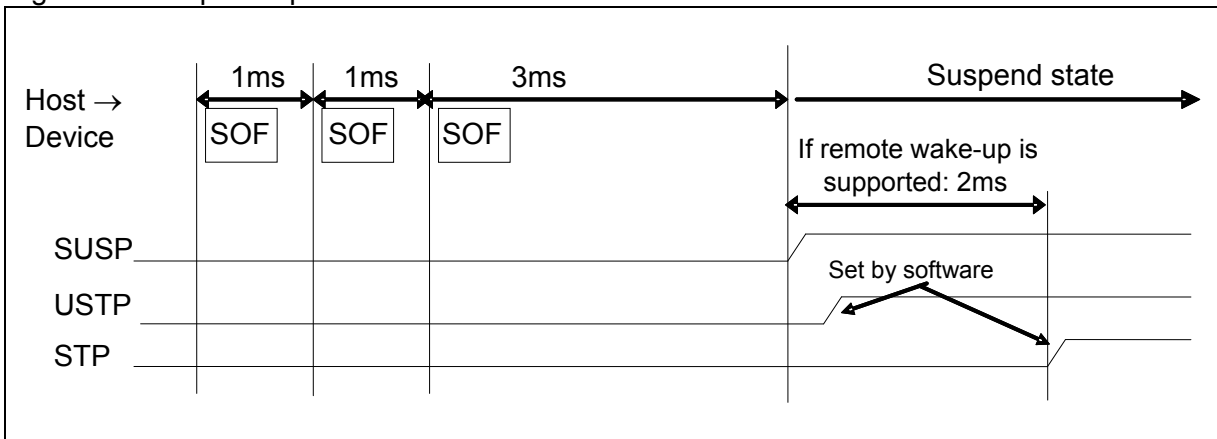
Depending on the bus power configuration, USB devices must drop the power consumption to 500 μ A or less in suspend state. The following explains the sequence the USB device makes transition to suspend state, and then stop mode or timer mode.

■ Suspend sequence

When the USB device core detects a suspend state, SUSP bit in the UDCCS register is enabled.

The following provides an example sequence.

Figure 3-8 Suspend operation



· Suspend sequence

When there is a 3 ms or longer period of inactivity on the USB bus, the USB function detects a suspend state, and sets the SUSP bit interrupt factor in the UDCCS register. For devices supporting remote wake-up function, the USB function waits 2 ms more * and sets stop mode or timer mode.

*: This period is required to block remote wake-up.

<Note>

Before stop mode or timer mode is entered, set UDCCIE:SUSPIE = 0 and UDCC:USTP = 1 in this order.

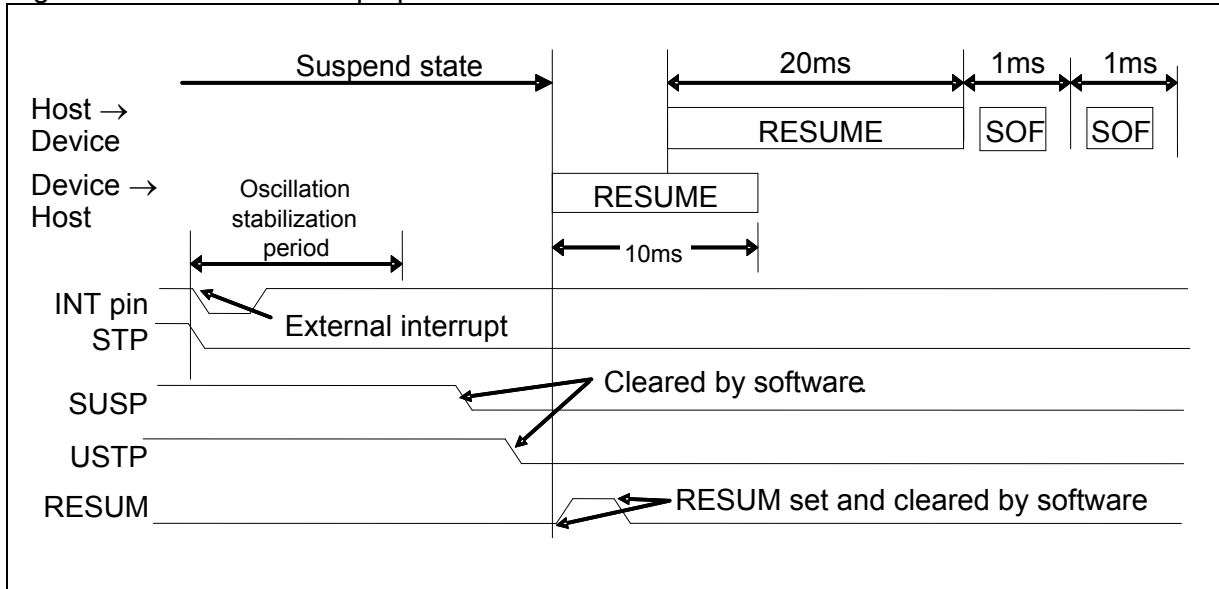
3.5. Wake-up function

To recover a USB device from suspend state to wake-up state, the USB protocol provides two ways.

- Remote wake-up from the device
- Wake-up from the host

■ Remote wake-up

Figure 3-9 Remote wake-up operation

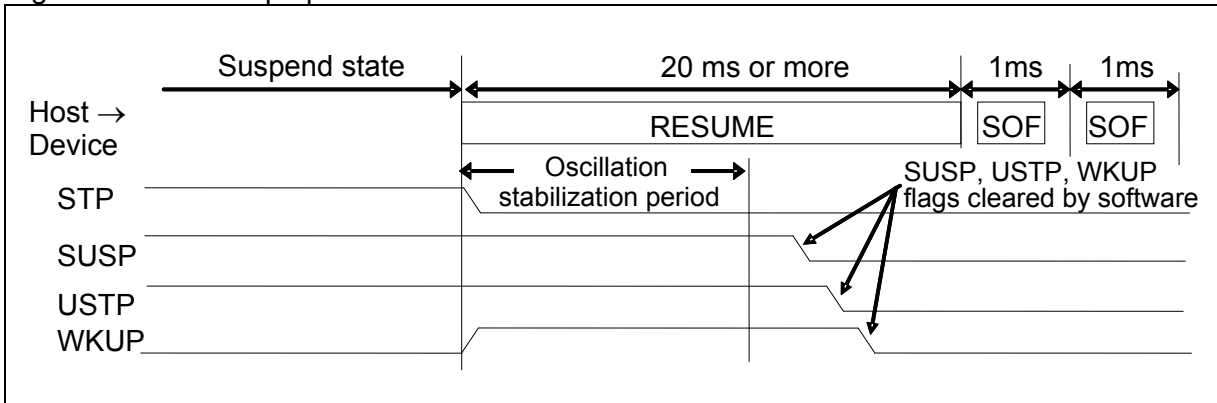


The device must be processed in the following sequence:

1. Recover the device from stop mode or timer mode by an external interrupt.
2. Check that the USB generation clock is stable.
3. Clear the SUSP bit in the UDCCS register to "0".
4. Perform a dummy read from the UDCCS register.
5. Clear the USTP bit of the UDCC register to "0".
6. Perform a dummy read from the UDCC register.
7. Set the RESUM bit in the UDCC register to "0".
8. Clear the RESUM bit in the UDCC register to "0".

■ Wake-up from the host

Figure 3-10 Wake-up operation from the host



Process the USB device in the following sequence.

1. Set the oscillation stabilization time so that it will not exceeds 10 ms.
2. Check that the USB clock is stable.
3. Clear SUSP bit in the UDCCS register, and USTP bit in the UDCC register to "0" in this order.
4. Clear WKUP bit in the UDCCS register to "0".

3.6. DMA transfer function

Data handled by the USB function can be transferred via DMA between the send/receive buffer and embedded RAM. The following two modes are available for the DMA transfer.

- Packet transfer mode, in which CPU starts DMA for each packet.
- Automatic data size transfer mode, in which DMA is automatically started for every packet.

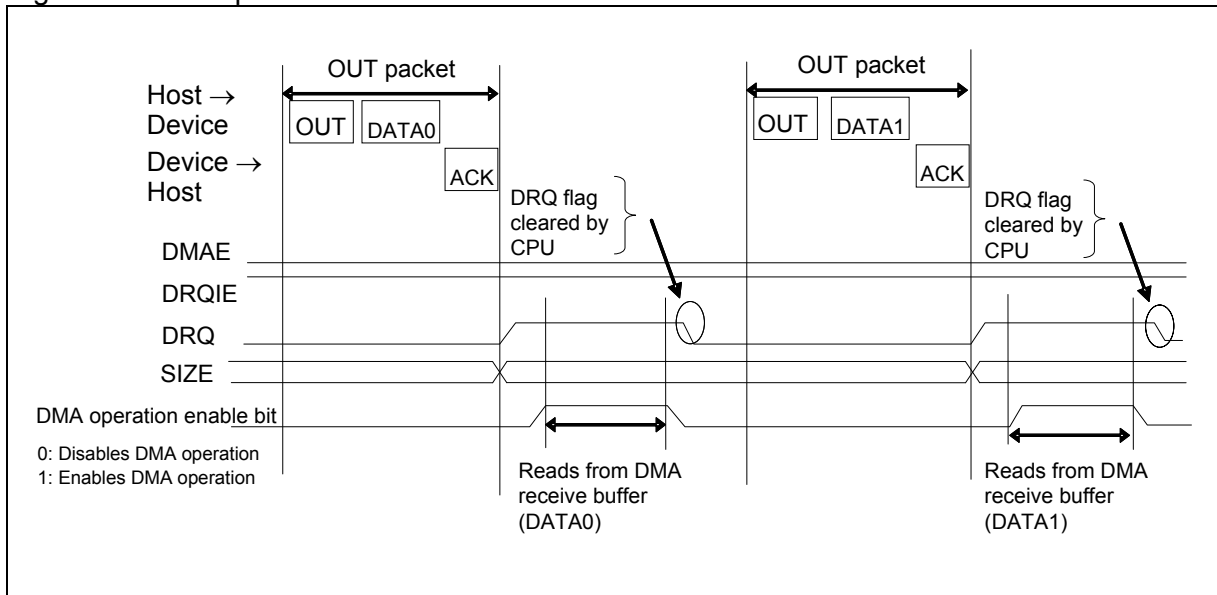
■ Packet transfer mode

The packet transfer mode transfers each packet according to the data size set in DMA and, each time the transfer of a packet finished, clears the interrupt factor (DRQ) for the next packet transfer. This transfer mode can access buffers of Endpoint 1 to Endpoint 5. Before using DMA, set the interrupt output destination by the DREQ Select Register. (Connect the interrupt output to CPU.NVIC.)

Figure 3-11 and Figure 3-12 show the timing to access buffers in each OUT direction and IN direction.

● Transfer in the OUT direction (Host -> Device)

Figure 3-11 OUT packet transfer

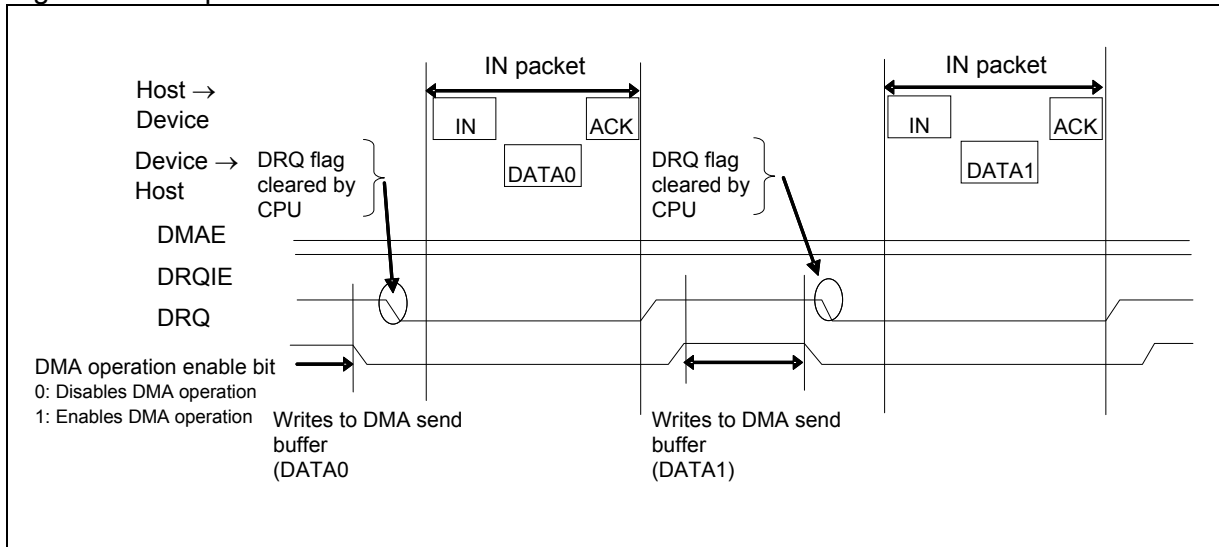


In the OUT direction transfer, the device must be processed in the following sequence:

1. Once the DRQ flag is set and the interrupt handling is entered, check the transfer data size.
2. Configure the DMA register setting relevant to the number of transfers and block size corresponding to the transfer data size, and then enable DMA to start the transfer.
3. After the transfer, clear the pertinent DRQ flag in the EP1S to EP5S registers and the pertinent interrupt factor flag in the DMAC status register, and return from the interrupt handling.

● **Transfer in the IN direction (Device -> Host)**

Figure 3-12 IN packet transfer



In the IN direction transfer, the device must be processed in the following sequence:

1. Once the DRQ flag is set and the interrupt handling is entered, configure the DMA register settings relevant to the number of transfers and block size corresponding to the data size to be transferred in the next IN packet, and then enable DMA to start the transfer.
2. After the DMA transfer, clear the pertinent DRQ flag in the EP1S to EP5S registers and the pertinent interrupt factor flag in the DMAC status register, and return from the interrupt handling.

■ **Automatic data size transfer mode**

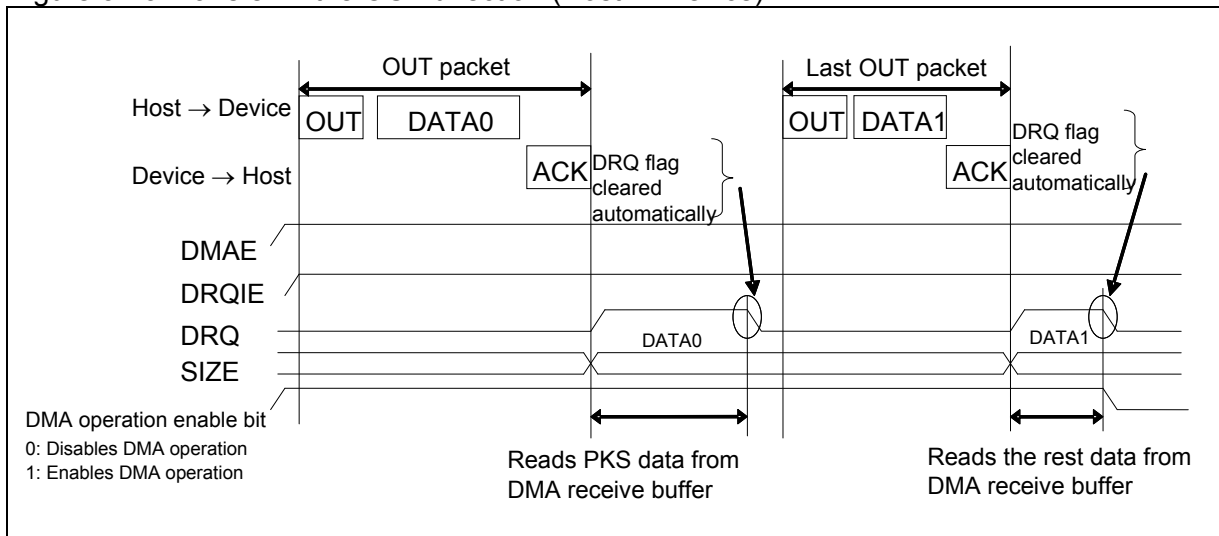
This mode can transfer even bytes. To transfer odd bytes in the OUT direction transfer, a CPU transfer sequence is required. (See Figure 3-14.) To transfer odd bytes in the IN direction transfer, see the following information.

- For TYPE0 products
Odd bytes cannot be transferred in the IN direction transfer.
- For products other than TYPE0
To transfer odd bytes in the IN direction transfer via DMA, set the ODDPKS register.(See chapter "Interrupts (A)".)

Before using DMA, set the interrupt output destination by the DREQ Select Register.(Connect the interrupt output to DMAC.) Configure in DMA the total data size to transfer, and also set the transfer enable bit previously. If DRQ is set after transfer from the host while DMAE is enabled, the interrupt factor (DRQ) is automatically cleared when the data size corresponding to PKS in the EP1 to EP5 Control Registers (EPxC) has been transferred. Afterward, the same sequence is repeated after transfer from the host until the transfer data size configured previously in DMA is reached. Meanwhile, configuration by the CPU is not required at all. Thus this mode can transfer data automatically by a single setting. The CPU interrupt is entered after the transfer of the last data. To perform the next transfer, therefore, reconfigure DMAC then to enable DMA and return from the interrupt. The automatic data size transfer mode uses DMAE as "1", buffer access to Endpoints 1 to 5 is only enabled. The following shows the timing to access the buffer in each of the OUT and IN directions.

● **Transfer in the OUT direction (Host -> Device)**

Figure 3-13 Transfer in the OUT direction (Host -> Device)



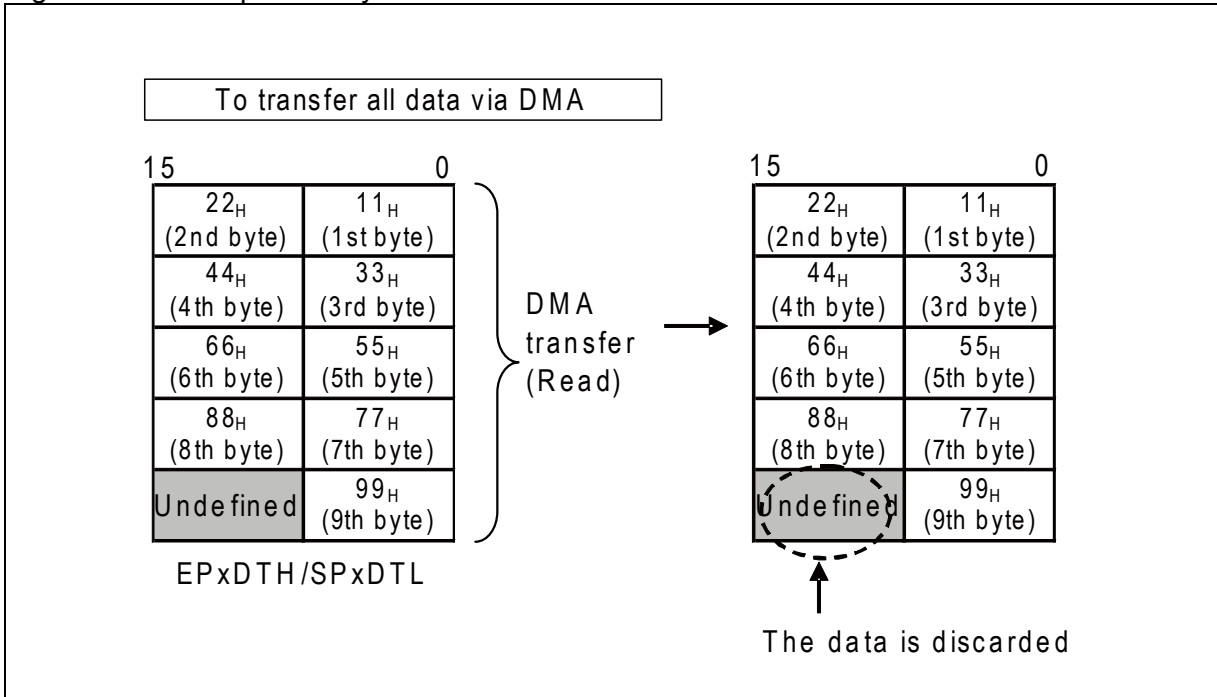
In the OUT direction transfer, the device must be processed in the following sequence:

1. Configure the DMA register setting relevant to the number of transfers and block size corresponding to the total data size, and then enable DMA to start the transfer.
2. Enable DMAE and DRQIE.
3. After the transfer, reconfigure the DMAC using an interrupt generated by the interrupt factor pertinent to the DMAC status register, and clear the flag to return from the interrupt handling.

To transfer the data size corresponding to the odd bytes via DMA, the following methods are available:

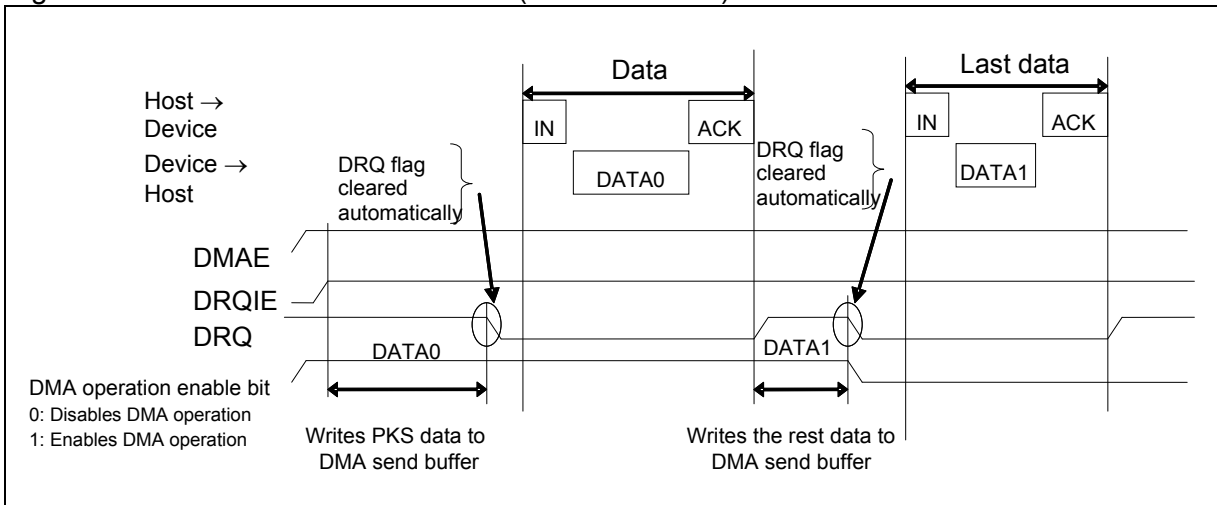
- Transfer all the data + 1 byte via DMA, and discard the last data after an endian conversion.

Figure 3-14 Example odd bytes transfer in the OUT direction



● Transfer in the IN direction (Device -> Host)

Figure 3-15 Transfer in the IN direction (Device -> Host)



In the IN direction transfer, the device must be processed in the following sequence:

1. Configure the DMA register setting relevant to the number of transfers and block size corresponding to the total data size, and then enable DMA to start the transfer.
2. Enable DMAE and DRQIE.
3. After the transfer, reconfigure the DMAC using an interrupt generated by the interrupt factor pertinent to the DMAC status register, and clear the flag to return from the interrupt handling.

3.7. NULL transfer function

If data sent from the USB function is the last packet and satisfies the maximum packet size, then the 0-byte can be automatically transferred via the next packet transfer. DMAE must be enabled to use this function. This function is valid only in IN transfer.

■ NULL transfer mode

NULL transfer mode sends 0-byte in reply to the next host's data request in the IN direction after the last data in the IN direction has been transferred.

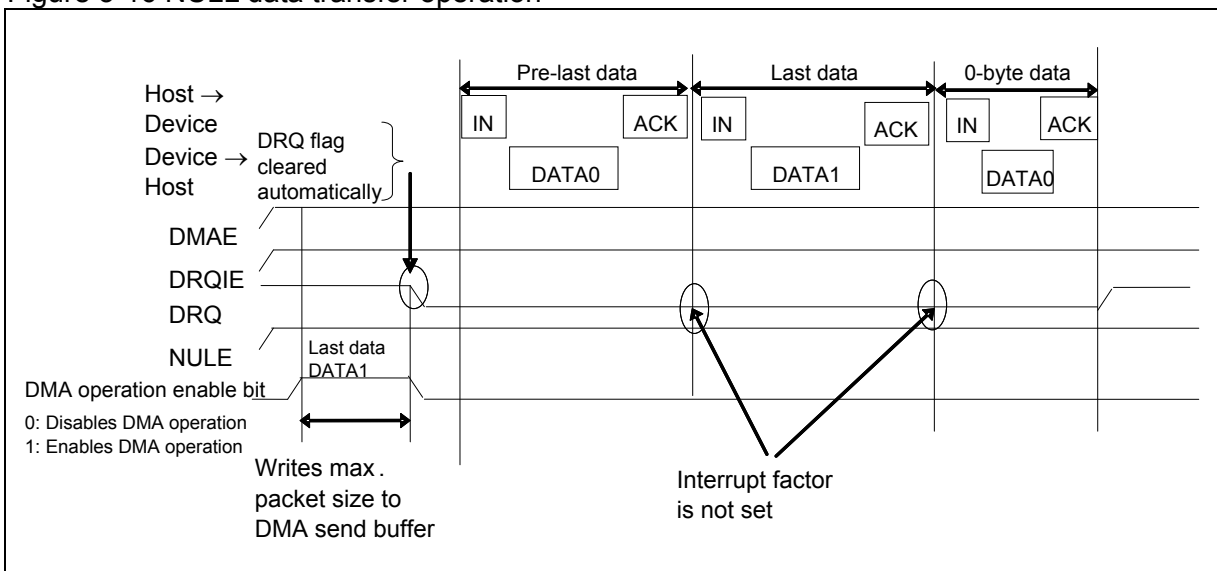
NULL transfer mode works when the following conditions are met:

- Automatic buffer transfer mode is set (DMAE = 1)
- The last data transfer writes the maximum packet size to the DMA buffer
- DMA data units are counted as 0 by writing the last data

After the last data has been written to buffer via DMA, the DRQ interrupt flag is not set until the 0-byte data is read from the host. The following shows the timing to access the buffer.

Only the transfer in the IN direction (Device -> Host) is explained.

Figure 3-16 NULL data transfer operation



The device must be processed as follows:

1. Enable EPxS:DMAE, EPxS:DRQIE, and EPxS:NULE bits by setting to "1".

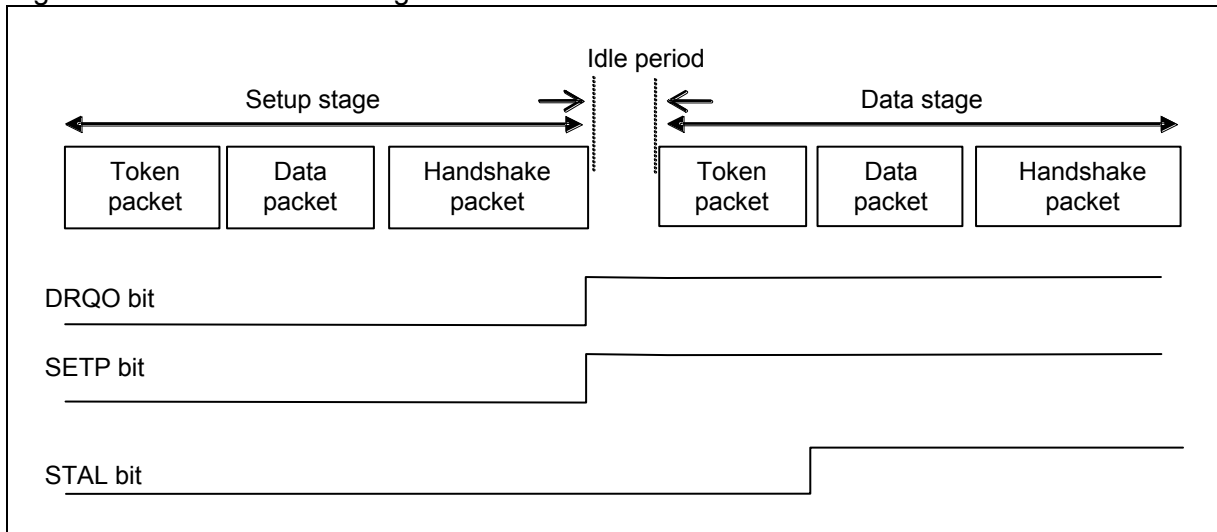
3.8. STALL response/release of Endpoint 0

The STAL bit in the EP0 Control Register (EP0C) controls the STALL response and release of Endpoint 0.

■ STAL bit set timing

To perform the STALL response, interpret the command at the setup stage (SETP = 1 detection) of control transfer. If the STALL response is required, set the STAL bit. (See Figure 3-17) After setting the STAL bit, clear the interrupt factor (DRQO bit).

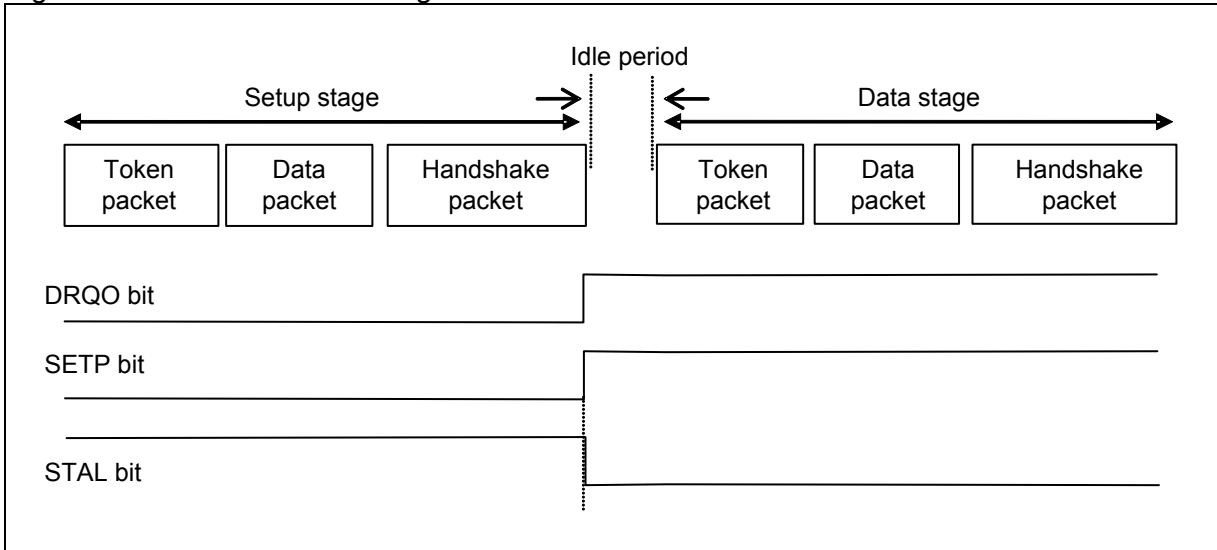
Figure 3-17 STAL bit set timing



■ **STAL bit clear timing**

Upon the detection of SETP = 1, pointing to the setup stage of control transfer, the STAL bit is automatically cleared and the STALL state is released. (See Figure 3-18)

Figure 3-18 STAL bit clear timing



<Note>

Upon the detection of SETP = 1 (DRQO = 1 interrupt), the STAL bit is cleared to "0". To enable the STALL response again, set the STAL bit to "1".

3.9. STALL response/release of Endpoint 1 to Endpoint 5

The STAL bit and the internal status bit in the EP1 to EP5 Control Registers (EP1C to EP5C) controls the STALL response and release of Endpoints 1 to 5.

■ STALL response processed by software

Figure 3-19 and Figure 3-20 show the procedures to process the STALL response by software. To perform the STALL response, configure the STAL bit of relevant Endpoint by software. The internal status bit does not change then.

When a transaction occurs from the host to the Endpoint to which the STAL bit is set, the hardware automatically sets the internal status bit of the relevant Endpoint to perform the STALL response to the host. Once the internal status bit is set, it remains set even when the STAL bit cleared. As the internal state bit remains set until the host issues the Clear Feature command, the STALL response remains running. While the STALCLREN bit of the UDC Control Register (UDCC) is set to "0", the STALL response also remains running in the following condition:

The STAL bit remains set even after the internal status bit is cleared by the Clear Feature command.

This is because the internal status bit is set each time a transaction occurs to the relevant Endpoint. To release the STALL response, therefore, the STAL bit must be cleared, and the internal status bit must be cleared by the Clear Feature command. If the STALCLREN bit in the UDC Control Register (UDCC) is set to "1", the STAL bit is cleared at the same time the internal status bit is cleared by the Clear Feature command, and the STALL response is not performed for the next transaction.

Figure 3-19 To process the STALL response by software (the STAL bit is cleared by software)
UDCC.STALCLREN=0

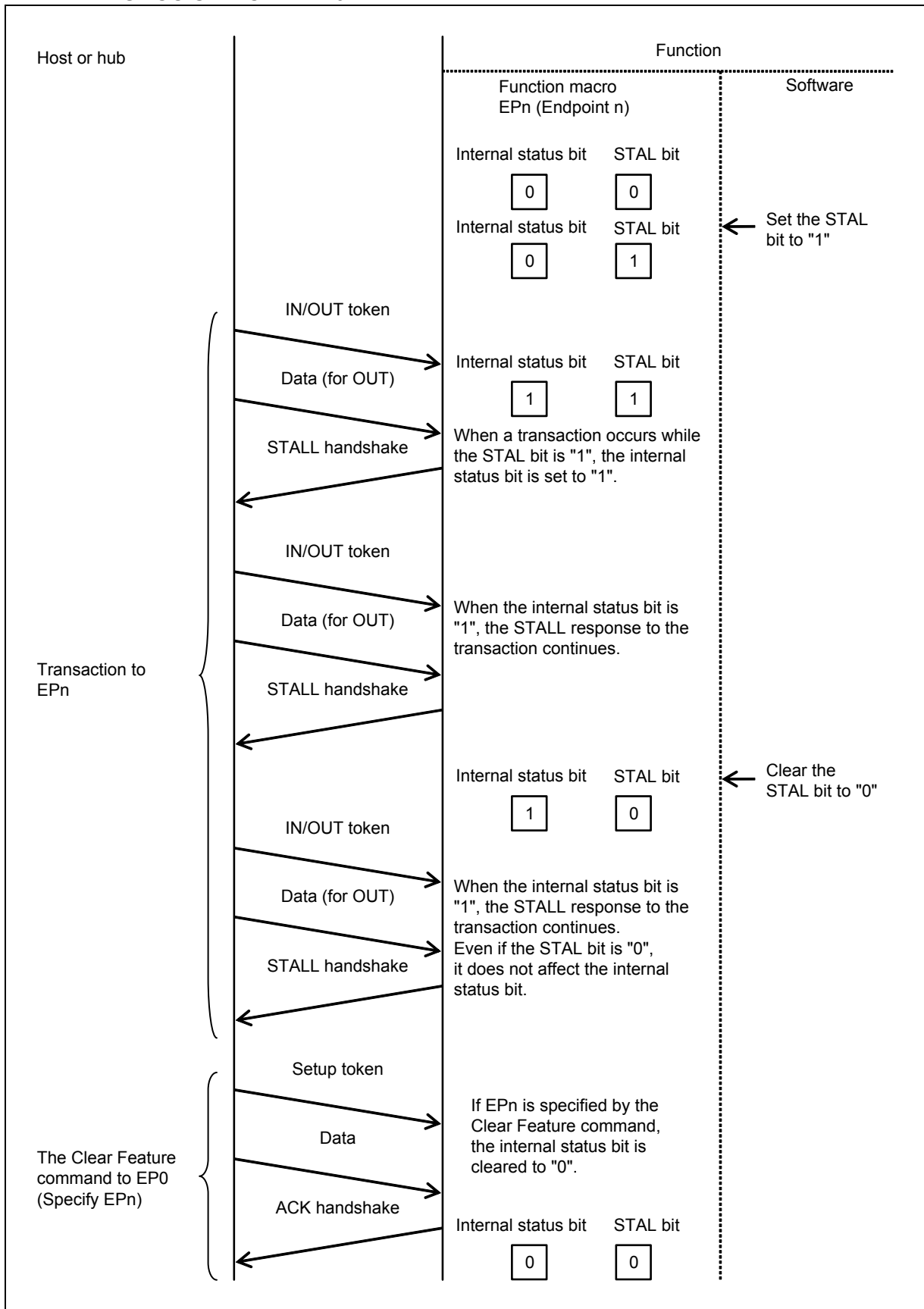
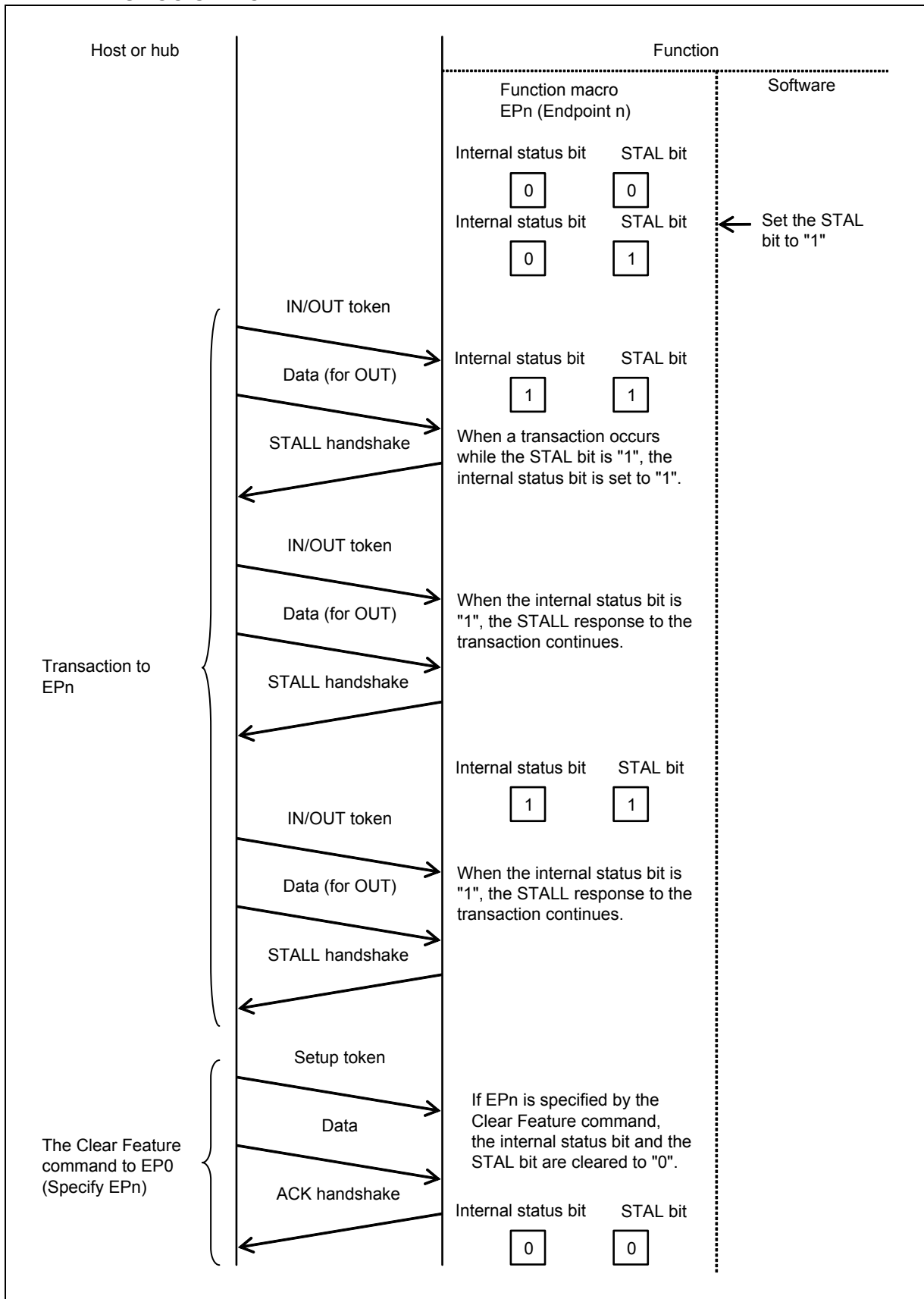


Figure 3-20 To process the STALL response by software (the STAL bit is cleared by hardware)
UDCC.STALCLREN=1



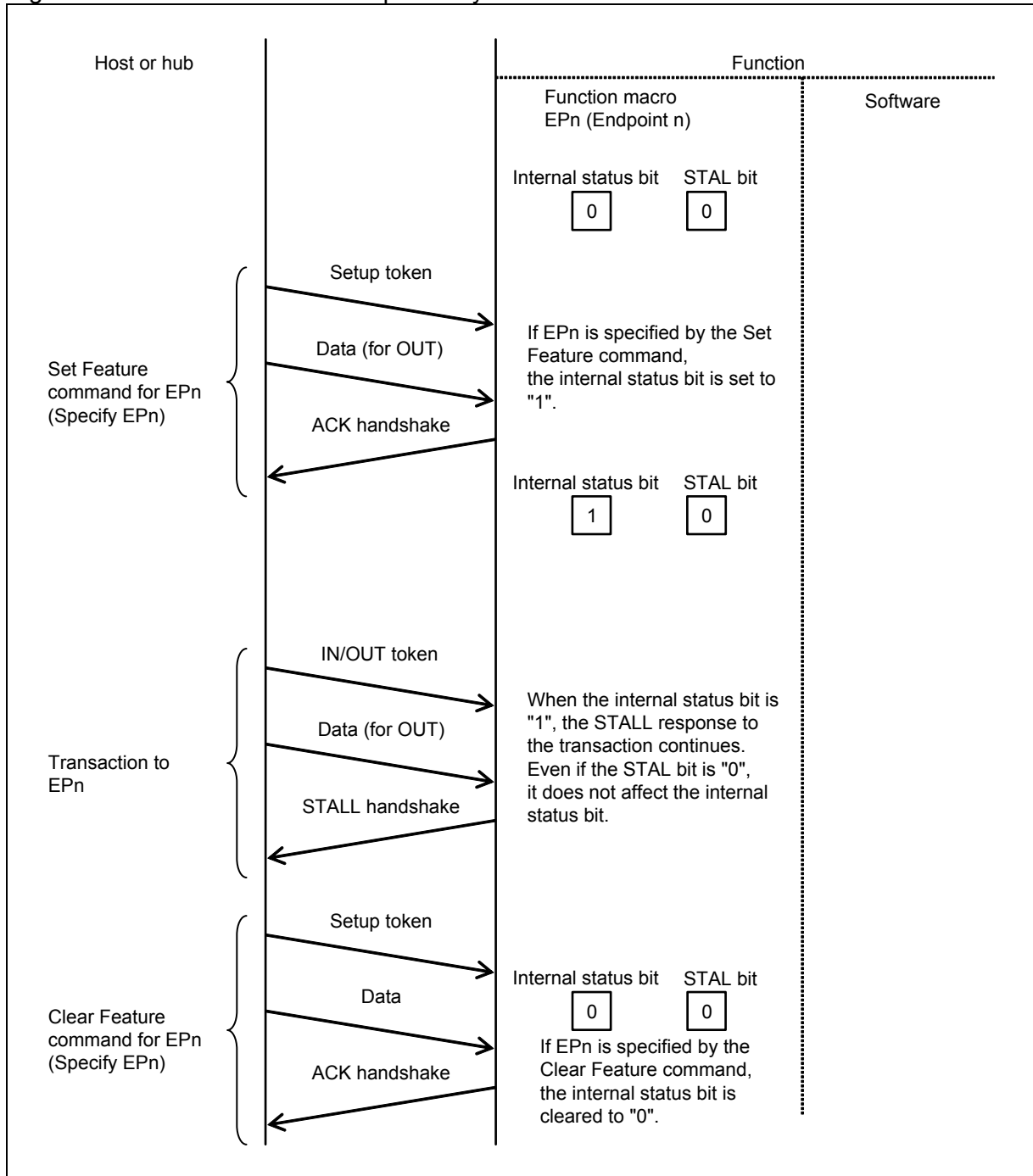
■ Automatic STALL response by hardware

Figure 3-21 shows the procedure for the automatic STALL response by hardware.

When the STALL response is set by the Set Feature command, the hardware automatically set the internal status bit of the relevant Endpoint, irrespective of the STAL bit setting, and perform the STALL response. Once the internal bit is set, the value is retained until cleared by the Clear Feature command from the host irrespective of the STAL bit setting.

The STAL bit is referred to even after the internal status bit is cleared by the Clear Feature command. To release the STALL response, therefore, the internal status bit must be cleared by the Clear Feature command.

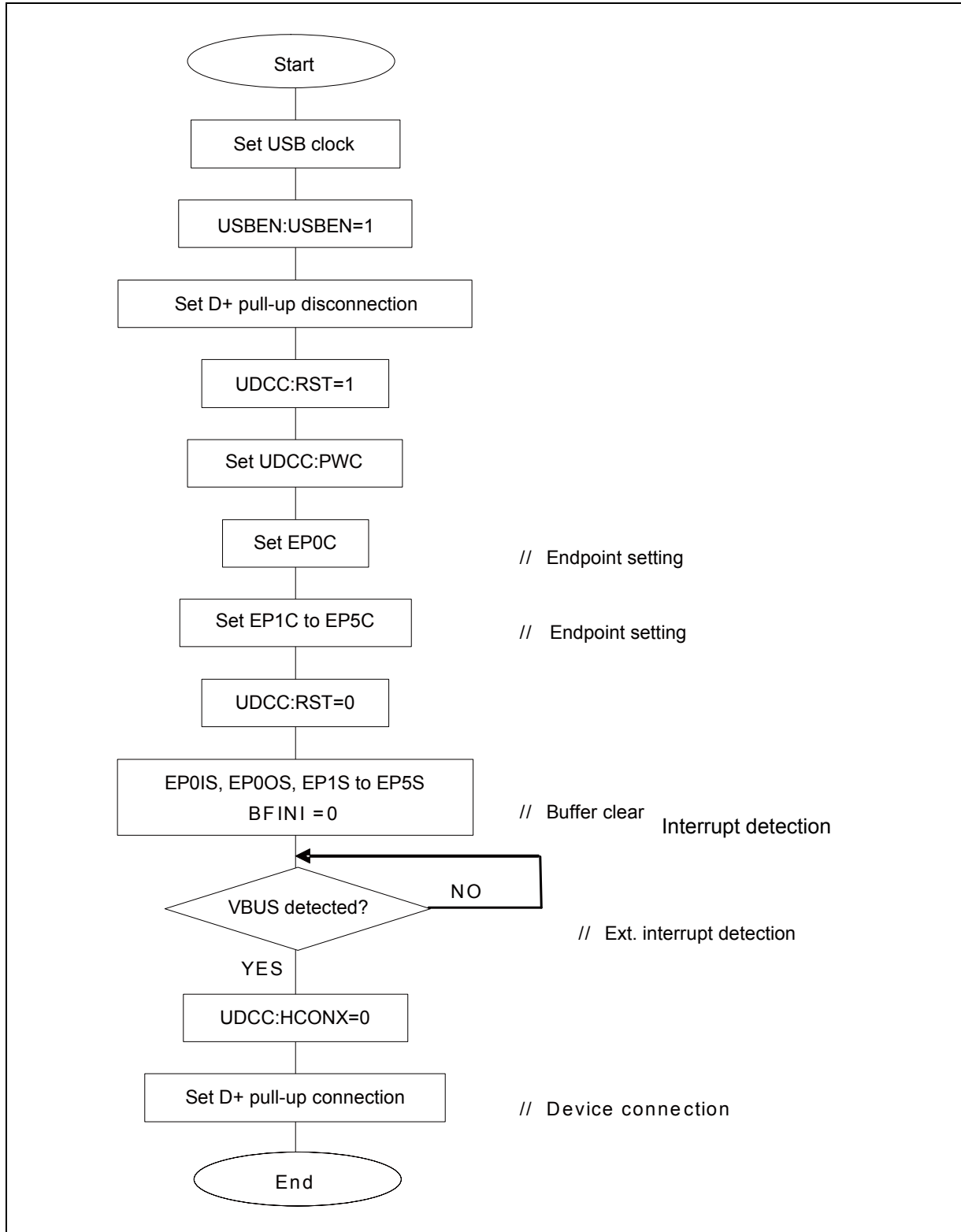
Figure 3-21 Automatic STALL Response by Hardware



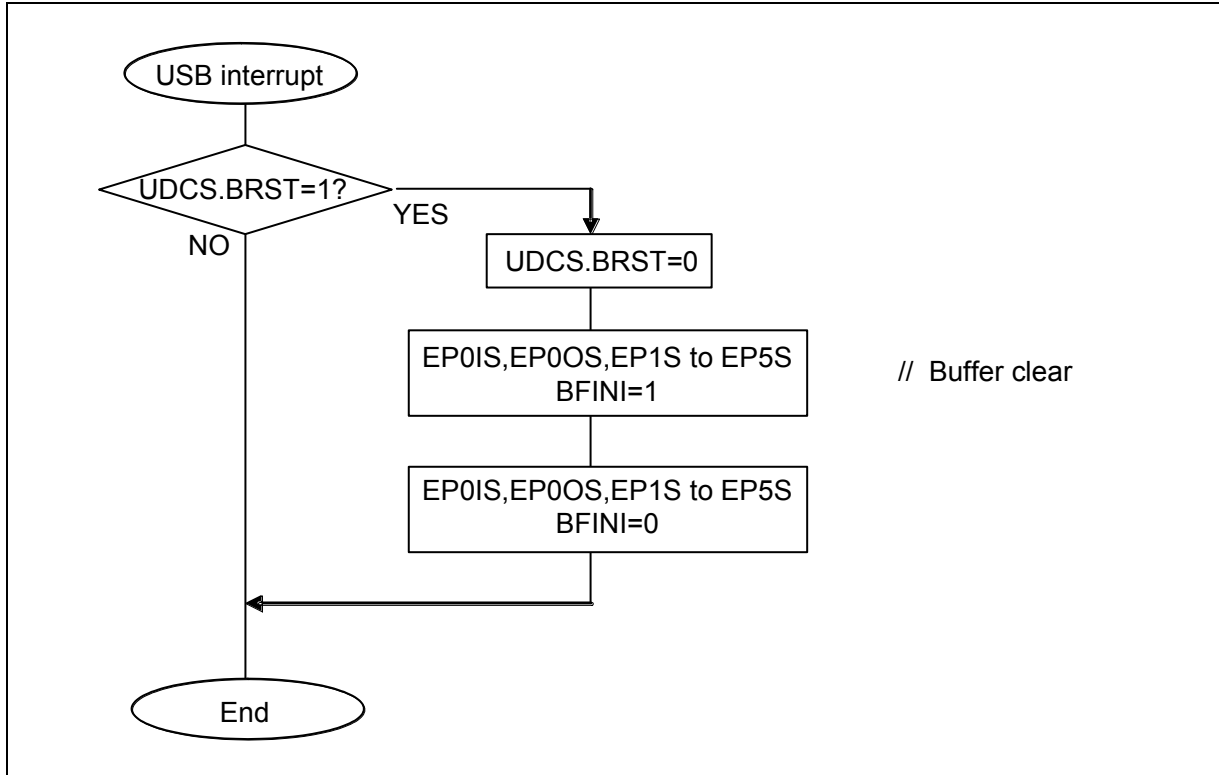
4. Examples of USB Function Setting Procedures

This section provides flowcharts for initialization, bus reset, CPU transfer, packet transfer (IN/OUT) and automatic data size transfer (IN/OUT).

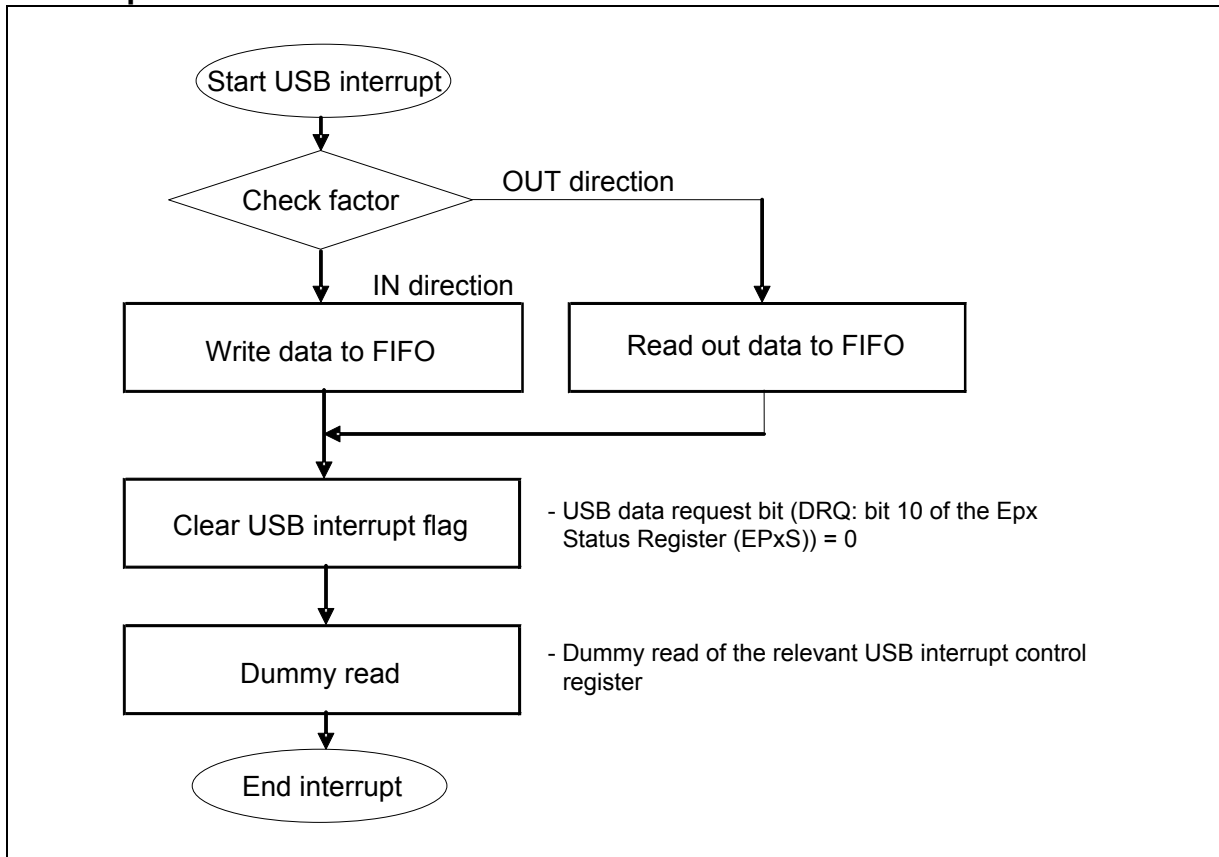
■ Initialization



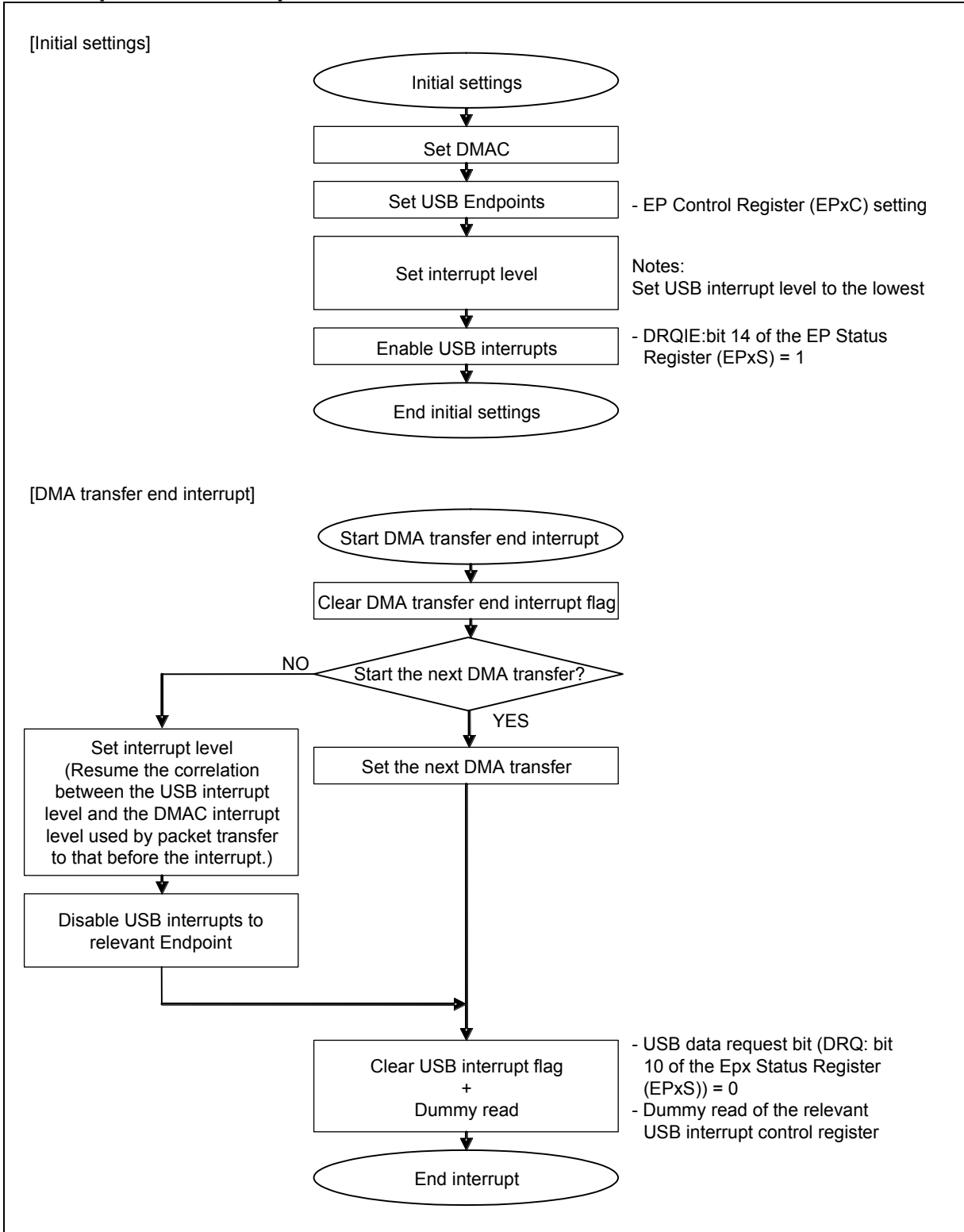
■ Bus reset



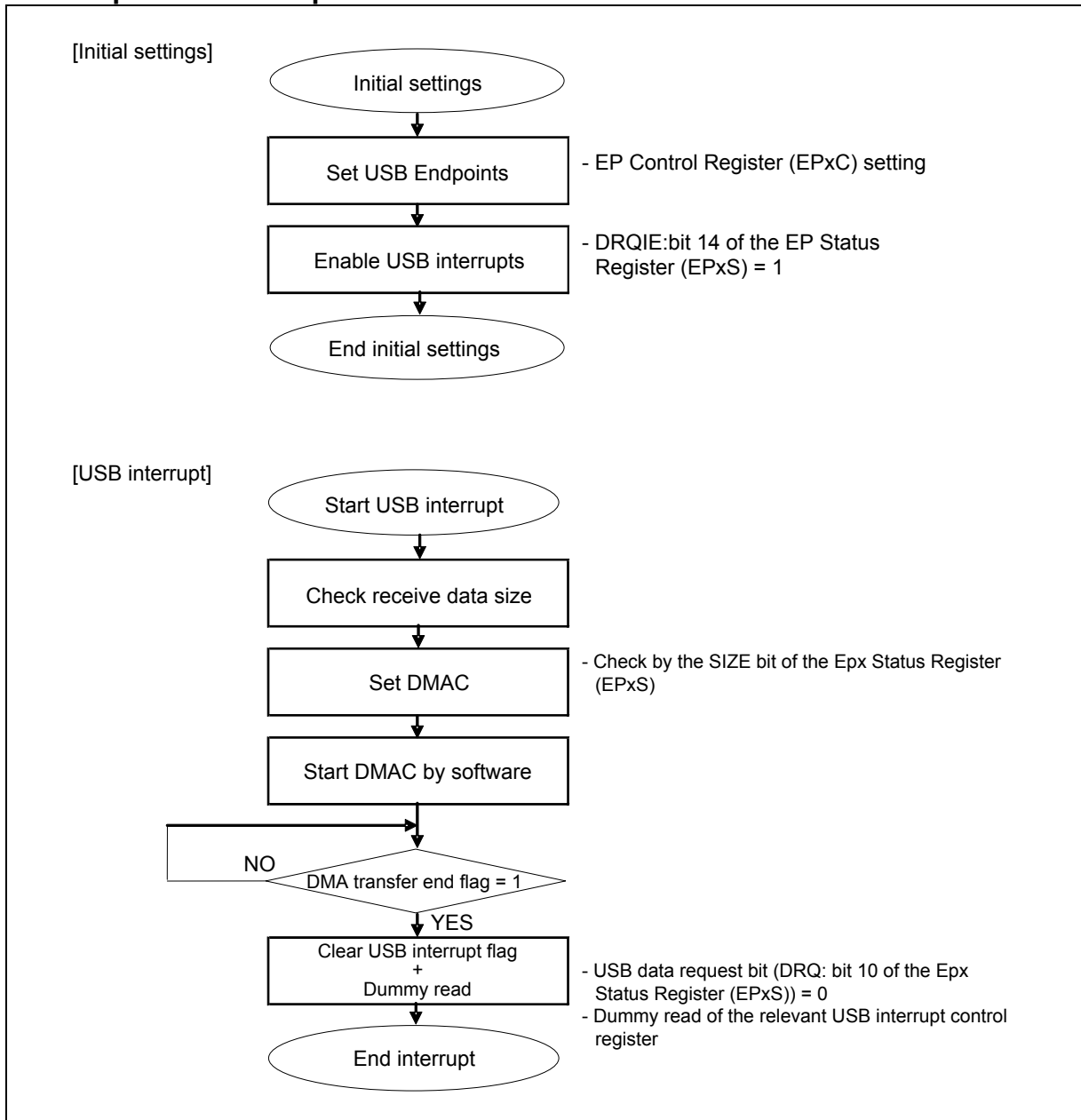
■ Example control for CPU transfer



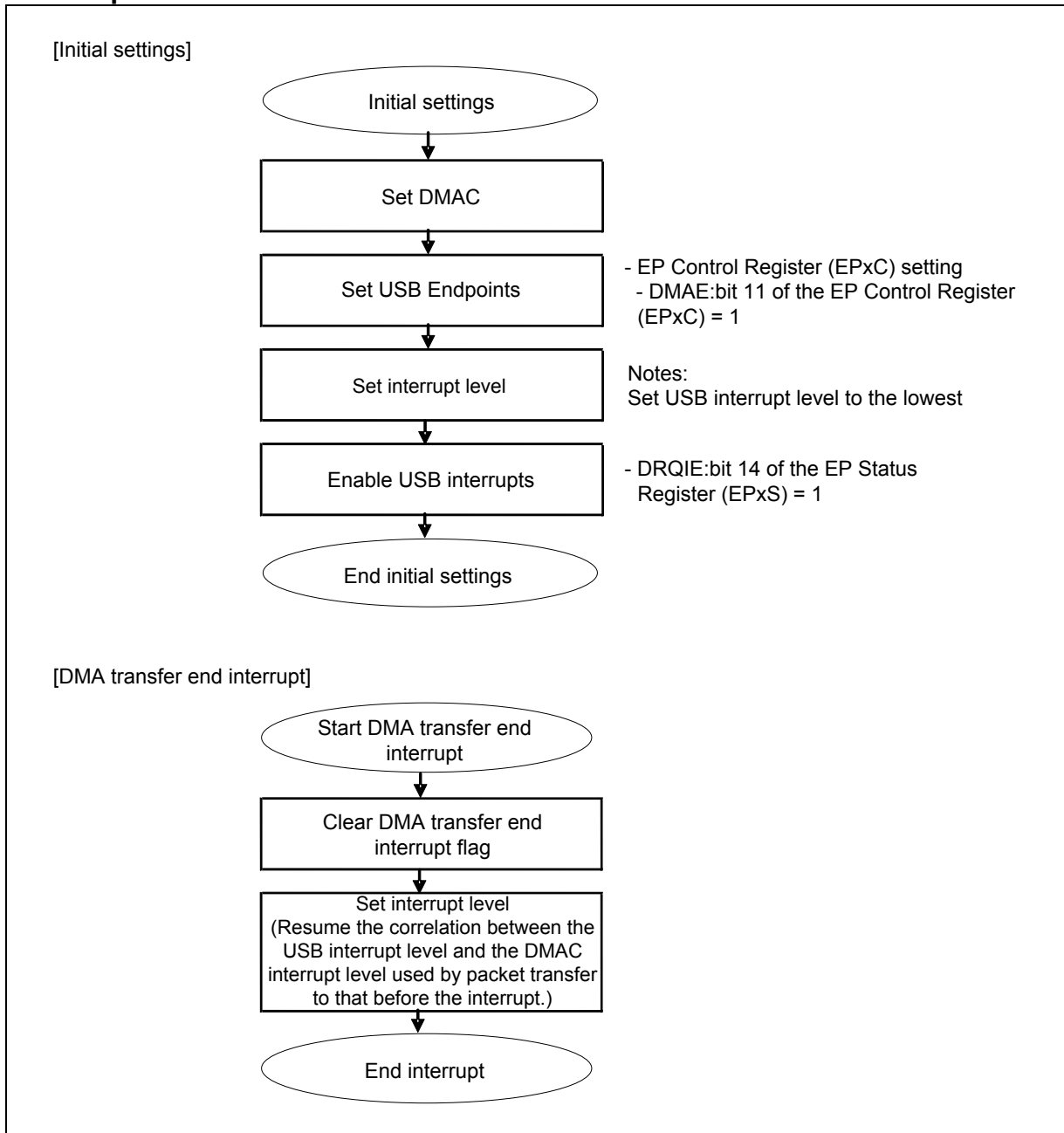
■ Example control for packet transfer in IN direction



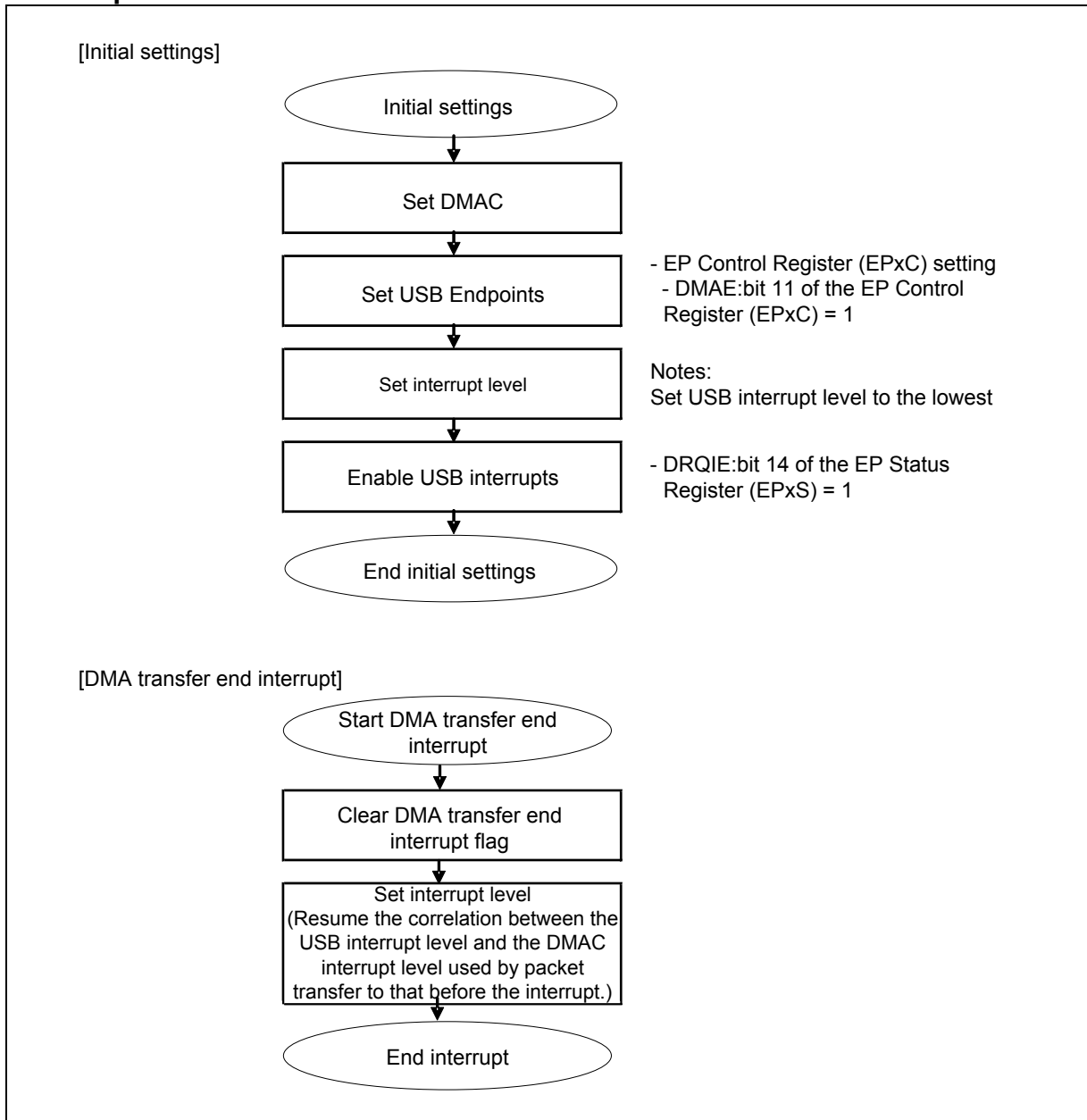
■ Example control for packet transfer in OUT direction



■ Example control for automatic data size transfer in IN direction



■ Example control for automatic data size transfer in OUT direction



5. USB Function Registers

This section explains the configurations and functions of the registers used for the USB function.

■ USB function register list

Abbreviation	Register name	Reference
UDCC	UDC Control Register	5.1
EP0C	EP0 Control Register	5.2
EP1C	EP1 Control Register	5.3
EP2C	EP2 Control Register	
EP3C	EP3 Control Register	
EP4C	EP4 Control Register	
EP5C	EP5 Control Register	
TMSP	Time Stamp Register	5.4
UDCS	UDC Status Register	5.5
UDCIE	UDC Interrupt Enable Register	5.6
EP0IS	EP0I Status Register	5.7
EP0OS	EP0O Status Register	5.8
EP1S	EP1 Status Register	5.9
EP2S	EP2 Status Register	
EP3S	EP3 Status Register	
EP4S	EP4 Status Register	
EP5S	EP5 Status Register	
EP0DTH	EP0 Data Register high-order	5.10
EP0DTL	EP0 Data Register low-order	
EP1DTH	EP0 Data Register high-order	
EP1DTL	EP0 Data Register low-order	
EP2DTH	EP0 Data Register high-order	
EP2DTL	EP0 Data Register low-order	
EP3DTH	EP0 Data Register high-order	
EP3DTL	EP0 Data Register low-order	
EP4DTH	EP0 Data Register high-order	
EP4DTL	EP0 Data Register low-order	
EP5DTH	EP0 Data Register high-order	
EP5DTL	EP0 Data Register low-order	

■ UDCC:RST dependent register bit update timing list

	Register	bit
Register bits to be updated when UDCC:RST=1	UDCC	HCONTX, PFBK, PWC
	EP0C	PKS0
	EP1C	EPEN, TYPE, DIR, PKS1
	EP2C	EPEN, TYPE, DIR, PKS2
	EP3C	EPEN, TYPE, DIR, PKS3
	EP4C	EPEN, TYPE, DIR, PKS4
	EP5C	EPEN, TYPE, DIR, PKS5
Register bits initialized when UDCC:RST=1 (Update when UDCC:RST=0)	EP0IS	BFINI, DRQI
	EP0OS	BFINI, DRQ, SPK
	EP1S	BFINI, DRQ, SPK
	EP2S	BFINI, DRQ, SPK
	EP3S	BFINI, DRQ, SPK
	EP4S	BFINI, DRQ, SPK
	EP5S	BFINI, DRQ, SPK
	TMSP	TMSP
	UDCS	SUSP, SOF, BRST, WKUP, SETP, CONF
	UDCIE	SUSPIE, SOFIE, BRSTIE, WKUPIE, CONFN, CONFIE
Register bits unaffected by UDCC:RST	UDCC	RESUME, USTP
	EP0C	STAL
	EP1C	DMAE, NULE, STAL
	EP2C	DMAE, NULE, STAL
	EP3C	DMAE, NULE, STAL
	EP4C	DMAE, NULE, STAL
	EP5C	DMAE, NULE, STAL
	EP1DTH/L	BFDT
	EP2DTH/L	BFDT
	EP3DTH/L	BFDT
	EP4DTH/L	BFDT
	EP5DTH/L	BFDT

5.1. UDC Control Register (UDCC)

The UDC Control Register (UDCC) controls the UDC core circuit.

The following figure shows the bit configuration of the UDC Control Register (UDCC).

bit	15	14	13	12	11	10	9	8
Field	Reserved							
Attribute	-							
Initial value	0x00							

bit	7	6	5	4	3	2	1	0
Field	RST	RESUM	HCONX	USTP	STALCLREN	Reserved	RFBK	PWC
Attribute	R/W	R/W	R/W	R/W	R/W	-	R/W	R/W
Initial value	1	0	1	0	0	0	0	0

<Note>

The UDC Control Register (UDCC), except bit6 RESUM and bit4 USTP, should be configured while bit7 RST = 1, and should not be rewritten while USB is running. bit6 RESUM must be set or reset in USB suspend mode and while the remote wake-up is enabled by the following command.

Set bit4 USTP to "1" before stop mode or timer mode is entered.

When those modes have been released, set the SUSP of UDCCS and USTP of UDCC to "0" in this order after confirmation of stabilized USB supply clock.

The following explains the function of each bit in the UDC Control Register (UDCC).

[bit15:8] Reserved: Reserved bits

Always write "0" to these bits. They are always read as "0".

[bit7] RST: Function Reset bit (function ReSeT)

This bit is ORed with the chip system reset to individually reset the USB function. The USB function is reset by the RST bit when connected with the host via cable. As the initial value is "1", reset enabled, write "0" to release the state.

bit	Description
0	Releases USB Function reset
1	Resets the USB function

<Note>

This bit initializes the relevant bit of the Time Stamp Register (TMSP), UDC Status Register (UDCS), UDC Interrupt Enable Register (UDCIE) at the same time. It also sets the BFINI of the EP0I, EP0O, and EP1 to EP5 Status Register concurrently. After the initial settings, therefore, clear the RST bit (BFINI bit is not cleared) and clear BFINI bit of the Endpoints used in this order.

[bit6] RESUM: Resume Setting bit (RESUMe set)

In suspend state while remote wake-up is enabled *, the resume is started when writing "1" to the RESUM bit. To instruct to resume, set the RESUM bit to "1", and then write "0" to it to clear.

* : The DEVICE_REMOTE_WAKEUP bit is set by the SET_FEATURE command from the host.

bit	Description
0	Resets the USB resume start instruction bit
1	Instructs to start the USB resume

[bit5] HCONX: Host Connection bit (Host CONNecTion)

This bit controls the switch between an external pull-up resistor and the USB data line to make the connection with the host or HUB recognized.

bit	Description
0	Connected to the host or HUB
1	Disconnected from the host or HUB

<Note>

Even if the connection is found by the host or HUB while the external pull-up resistor is kept ON, the bus reset command on the USB bus is ignored while this bit is "1".

[bit4] USTP: USB Operating Clock Stop bit (Udc SToP)

Setting this bit stops the clock for the USB operating unit. When USB is not operated, power consumption can be reduced by configuring this bit.

bit	Description
0	Normal mode
1	Stops the clock for the USB operating unit

<Note>

If stop mode and timer mode is not set, the USTP bit must be configured after setting RST to "1", and also after 3 cycles at full speed or 43 cycles at low speed (supported only in host mode) so that the reset can be ensured. This bit can be cleared at the same time RST is cleared.

[bit3] STALCLREN: Endpoint 1 to Endpoint 5 STAL bit Clear Select bit (STAL CLear Enable)

This bit selects the method to clear the STAL bit of Endpoint 1 to Endpoint 5 using the Clear Feature command. The STALCLREN bit sets whether to automatically clear the STAL bit to "0" by hardware, a bit of EP1 to EP5 Control Registers (EP1C to EP5C) for Endpoints (1 to 5) specified by the Clear Feature command. This bit selects the method to clear the STAL bit of the Endpoint Control Registers (EP1C to EP5C), either by software or hardware.

bit	Description
0	Clears the STAL bit of the EP1 to EP5 Control Registers (EP1C to EP5C) by software.
1	Automatically clears the STAL bit of the EP1 to EP5 Control Registers (EP1C to EP5C) by hardware.

<Note>

The STALCLREN bit should be configured while the RST of the UDC Control Register (UDCC) is "1", and should not be rewritten while USB is running.

[bit2] Reserved: Reserved bit

Always write "0" to this bit. It is always read as "0".

[bit1] RFBK: Data Toggle Mode Select bit (Rate Feed Back mode)

This bit selects the data toggle mode for USB interrupt transfer.

bit	Description
0	Selects the alternating data toggle mode. Toggles data PID when the transfer has finished successfully.
1	Selects the data toggle mode. Unconditionally toggles data PID.

[bit0] PWC: Power Control bit (PoWer Control)

This bit specifies the operating power mode (self power or bus power) of the USB function.
(Configuration of this bit applies to standard command GetStatus.)

bit	Description
0	Bus power
1	Self power

5.2. EP0 Control Register (EP0C)

The EP0 Control Register (EP0C) controls Endpoint 0.

The following figure shows the bit configuration of the EP0 Control Register (EP0C).

bit	15	14	13	12	11	10	9	8
Field	-			Reserved			STAL	Reserved
Attribute	-			-			R/W	-
Initial value	XXXX			00			0	0
bit	7	6	5	4	3	2	1	0
Field	Reserved	PKS0						
Attribute	-	R/W						
Initial value	0	1000000						

<Note>

Except bit9 STAL, the EP0 Control Register (EP0C) must be configured while both of the bit7 RST in the UDC Control Register (UDCC) and bit7 BFINI in the EP0I/O Status Register (EP0I/EP0OS) are "1". It must not be rewritten while USB is running.

The following explains the function of each bit in the EP0 Control Register (EP0C).

[bit15:12] -: Undefined bits

The written value has no effect. The read value is undefined.

[bit11:10] Reserved: Reserved bits

Always write "0" to these bits.
They are always read as "0".

[bit9] STAL: Endpoint 0 STALL Setting bit (STAL ep0 set)

This bit can set Endpoint 0 to the STALL state (STALL response).

This bit is automatically cleared by hardware. If a SETUP packet is received by Endpoint 0 after the STALL response to Endpoint 0 is performed, this bit is cleared to "0". For the timing to clear this bit, see " STAL bit clear timing" of "3.8 STALL response/release of Endpoint 0".

bit	Description
0	Ignored
1	Sets the STALL state (STALL response)

<Notes>

- If the STALCLREN bit of UDC Control Register (UDCC) is "0", the STALL response remains operating to the host while the STAL bit is set to "1". Upon the receipt of a normal SETUP packet after STAL bit reset, Endpoint 0 resumes from the STALL state.
- A read-modify-write instruction reads this bit as "0".

[bit8:7] Reserved: Reserved bits

Write value should always be "0".

They are always read as "0".

[bit6:0] PKS0: Packet Size Endpoint 0 Setting bits (Packet Size ep0 set)

These bits specify the maximum number of bytes transferred by one packet. For Endpoint 0, the maximum number of bytes is 64, and the set value is valid both for IN and OUT directions.

Example: "0x08" => 8 bytes, "0x40" => 64 bytes (maximum value)

<Notes>

- These bits must be configured when both of the RST bit in the UDC Control Register (UDCC) and the BFINI bit in the EP0I/O Status Register (EP0IS/EP0OS) are "1". Do not rewrite while USB is running.
 - A value exceeding the maximum number of transferable bytes (0x40), and "0x00" must not be written.
-

5.3. EP1 to EP5 Control Registers (EP1C to EP5C)

The EP1 to EP5 Control Registers (EP1C to EP5C) control Endpoint 1 to Endpoint 5.

The following figure shows the bit configuration of the EP1 to EP5 Control Registers (EP1C to EP5C).

■ EP1 Control Register (EP1C)

bit	15	14	13	12	11	10	9	8
Field	EPEN	TYPE		DIR	DMAE	NULE	STAL	PSK1
Attribute	R/W	R/W		R/W	R/W	R/W	R/W	R/W
Initial value	0	11		0	0	0	0	1
bit	7	6	5	4	3	2	1	0
Field	PSK1							
Attribute	R/W							
Initial value	0x00							

■ EP2 to EP5 Control Registers (EP2C to EP5C)

bit	15	14	13	12	11	10	9	8
Field	EPEN	TYPE		DIR	DMAE	NULE	STAL	Reserved
Attribute	R/W	R/W		R/W	R/W	R/W	R/W	-
Initial value	0	11		0	0	0	0	0
bit	7	6	5	4	3	2	1	0
Field	Reserved	PKS5 to PKS2						
Attribute	-	R/W						
Initial value	0	1000000						

<Note>

Except DMAE, NULE, and STAL bits, the EP1 to EP5 Control Registers (EP1C to EP5C) must be configured while both of the bit 7 RST in the UDC Control Register (UDCC) and bit 15 BFINI in the EP0 to EP5 Status Registers (EP1S to EP5S) are "1". They must not be rewritten while USB is running.

The following explains the function of each bit in the EP1 to EP5 Control Registers (EP1C to EP5C).

[bit15] EPEN: Endpoint 1 to Endpoint 5 Enable bits (EndPoint1 to EndPoint5 ENable)

This bit enables the Endpoint. Based on the EPEN bit setting, the Endpoint is configured by the host as those used by the function. TYPE, DIR and PKS bits in the EP1 to EP5 Control Registers are valid as the configuration information.

bit	Description
0	Disables the Endpoint
1	Enables the Endpoint

[bit14:13] TYPE: Endpoint Transfer Type Select bits (Endpoint TYPE)

These bits specify the transfer type that the Endpoint supports.

bit14:13	Description
00	Setting is prohibited.
01	Iso transfer (Function operating mode)
10	Bulk transfer
11	Interrupt transfer

<Note>

Iso transfer can be set in function operating mode for Endpoint 1 only or for both Endpoint 1 and Endpoint 2. Setting for Endpoint 2 only, setting for other than Endpoint 1/Endpoint 2 or setting in host operating mode is disabled.

[bit12] DIR: Endpoint Transfer Direction Select bit (endpoint DIRection)

This bit specifies the transfer direction that the Endpoint supports.

bit	Function operating mode	Host operating mode (EP1 and EP2 only)
0	OUT Endpoint	IN Endpoint
1	IN Endpoint	OUT Endpoint

[bit11] DMAE: DMA Automatic Transfer Enable bit (DMA Enable)

This bit sets a mode that uses DMA for writing or reading transfer data to/from send/receive buffer, and automatically transfers the send/receive data synchronized with an data request in the IN or OUT direction by the host. Until the data size set in the DMA is reached, the data is transferred.

bit	Description
0	Releases the automatic buffer transfer mode
1	Sets the automatic buffer transfer mode

<Note>

The CPU must not access the send/receive buffer while the DMAE bit is set to "1".

[bit10] NULE: NULL Automatic Transfer Enable bit (NULE Enable set)

When a data transfer request in IN direction is received while automatic buffer transfer mode is set (DMAE = 1), this bit sets a mode that transfers 0-byte data automatically upon the detection of the last packet transfer.

bit	Description
0	Releases the NULL automatic transfer mode
1	Sets the NULL automatic transfer mode

<Note>

For data transfer in the OUT direction or when automatic buffer transfer mode is not set, the NULE bit configuration does not affect communication.

[bit9] STAL: Endpoint 1 to Endpoint 5 Stall Setting bit (STAL set)

This bit can set Endpoint to the STALL state (STALL response).

- When the STALCLREN bit of the UDC Control Register (UDCC) is "0"
This bit is not cleared to "0" by the Clear Feature command. This bit must be cleared by software. For the timing to clear this bit, see " STALL response processed by software" of "3.9 STALL response/release of Endpoint 1 to Endpoint 5".

bit	Description
0	Release the STALL state
1	Sets the STALL state (STALL response)

- When the STALCLREN bit of the UDC Control Register (UDCC) is "1"
This bit is cleared by hardware. It is cleared to "0" for the Endpoint specified by the Clear Feature command. For the timing to clear this bit, see " STALL response processed by software" of "3.9 STALL response/release of Endpoint 1 to Endpoint 5".

bit	Description
0	Ignored
1	Sets the STALL state (STALL response)

<Notes>

- If the STALCLREN bit of the UDC Control Register (UDCC) is "0", the STALL response remains operating to the host while the STAL bit is set to "1". Return from the STALL state is possible by the Clear Feature command after resetting the STAL bit.
- The value read by a read-modify-write instruction differs depending on the value set in STALCLREN.
 - When STALCLREN = 0, the value at that time is read.
 - When STALCLREN = 1, "0" is read.

[EP2 to EP5: bit8:7] EP2 to EP5 reserved bits

In EP2 to EP5, these bits are reserved. Write value should always be "0". They are always read as "0".

[(EP1: bit8:7) bit6:0] PKS: Packet Size Setting bits (PacKet Size ep1 set)

These bits specify the maximum size transferred by one packet. The following shows the maximum packet size that can be specified for Endpoint 1 to Endpoint 5.

EndPoint	Maximum transfer size	Configurable range
1	256 bytes (Odd numbers allowed)	0x001 to 0x100
2 to 5	64 bytes (Odd numbers allowed)	0x01 to 0x40

<Notes>

- A value exceeding the maximum number of transferable bytes (0x100 or 0x40), and "0x00" must not be written. For Endpoint 2 to Endpoint 5, write "00" to bit8 and bit 7. Also when automatic buffer transfer mode (DMAE = 1) is used, 0 to 2 must not be written to the relevant Endpoint.
- Set even bytes for PKS.

5.4. Time Stamp Register (TMSP)

The Time Stamp Register (TMSP) indicates the frame number upon the receipt of SOF packets.

The following figure shows the bit configuration of the Time Stamp Register (TMSP).

bit	15	14	13	12	11	10	9	8
Field	Reserved	Reserved	Reserved			TMSP		
Attribute	-	-	-			R	R	R
Initial value	X	X	XXX			0	0	0
RST reset	0	0	Irrelevant			0	0	0
bit	7	6	5	4	3	2	1	0
Field	TMSP							
Attribute	R	R	R	R	R	R	R	R
Initial value	0	0	0	0	0	0	0	0
RST reset	0	0	0	0	0	0	0	0

The following explains the function of each bit in the Time Stamp Register (TMSP).

[bit15:11] Reserved: Reserved bits

The written value has no effect on operation. The read value is undefined.

[bit10:0] TMSP: Time Stamp bits (TiMe StamP)

These bits indicate the frame number of a received SOF packet. The frame number is updated upon the receipt of a SOF packet.

5.5. UDC Status Register (UDCS)

The UDC Status Register (UDCS) indicates the bus status during USB communication or the reception of specific commands. Each bit except the SETP bit is an interrupt factor, and so can generate an interrupt to the CPU if the correspondent interrupt enable bit is enabled.

The following figure shows the bit configuration of the UDC Status Register (UDCS).

bit	7	6	5	4	3	2	1	0
Field	-	-	SUSP	SOF	BRST	WKUP	SETP	CONF
Attribute	-	-	R/W	R/W	R/W	R/W	R/W	R/W
Initial value	X	X	0	0	0	0	0	0
RST reset	X	X	0	0	0	0	0	0

The following explains the function of each bit in the UDC Status Register (UDCS).

[bit7:6] -: Undefined bits

The written value has no effect on operation. The read value is undefined.

[bit5] SUSP: Suspend detection bit (SUSPend)

This bit indicates that the USB function makes transition to suspend state. The SUSP bit is an interrupt factor, and writing "1" is ignored. Clear it by writing "0". A read-modify-write access reads the bit as "1".

bit	Description
0	No suspend has been detected or interrupt factor has been cleared.
1	Suspend has been detected

[bit4] SOF: SOF Detection bit (Start Of Freame)

This bit indicates that a SOF packet has been received, and then the Time Stamp Register value is updated. The SOF bit is an interrupt factor, and writing "1" is ignored. Clear it by writing "0". A read-modify-write access reads the bit as "1".

bit	Description
0	No SOF has been received or interrupt factor has been cleared.
1	SOF packet has been received

[bit3] BRST: Bus Reset Detection bit (Bus ReSeT)

This bit indicates the detection of a USB bus reset. The BRST bit is an interrupt factor, and writing "1" is ignored. Clear it by writing "0". A read-modify-write access reads the bit as "1".

bit	Description
0	No USB bus reset has been detected or interrupt factor has been cleared.
1	USB bus reset has been detected

<Note>

When this bit is detected, initialize the buffer by the BFINI bit in the EPOI Status Register (EPOIS), the BFINI bit in the EP0O Status Register (EP0OS), and the BFINI bit in the EP1 to EP5 Status Registers (EP1S to EP5S).

[bit2] WKUP: Wake-up Detection bit (WaKe UP)

This bit indicates that the USB function has resumed from suspend state. Remote wake-up caused by the RESUM bit setting, and wake-up caused by a request from the host are the resume factors, but the WKUP bit is automatically set only by a resume request by the host. The WKUP bit is an interrupt factor, and writing "1" is ignored. Clear it by writing "0". A read-modify-write access reads the bit as "1".

bit	Description
0	No host-caused resume has been detected or interrupt factor has been cleared.
1	Host caused resume has been detected

<Note>

Even when wake-up caused by a host request occurs, this bit is not set if the RESUM bit in the UDCC register has been set.

[bit1] SETP: Setup Stage Detection bit (SETuP)

This bit indicates that the received data is the setup stage of USB control transfer. Writing "1" to this bit is ignored. Clear it by writing "0". A read-modify-write access reads the bit as "1".

bit	Description
0	No SETUP stage has been received or factor has been cleared.
1	Setup stage of control transfer has been received

<Note>

The SETP bit is not set during standard command automatic response. This bit is not an interrupt factor.

[bit0] CONF: Configuration Detection bit (CONFIguration)

This bit indicates that the USB function has been configured. The CONF bit is set when SetConfig of a USB command is received successfully. The CONF bit is an interrupt factor, and writing "1" is ignored. Clear it by writing "0". A read-modify-write access reads the bit as "1".

bit	Description
0	No SetConfig has been detected or interrupt factor has been cleared.
1	SetConfig has been detected

5.6. UDC Interrupt Enable Register (UDCIE)

The UDC Interrupt Enable Register (UDCIE) enables interrupts generated by the factors of the UDC Status Register with respective bits (except for CONFN bit).

The following figure shows the bit configuration of the UDC Interrupt Enable Register (UDCIE).

bit	15	14	13	12	11	10	9	8
Field	Reserved	Reserved	SUSPIE	SOFIE	BRSTIE	WKUPIE	CONFN	CONFIE
Attribute	-	-	R/W	R/W	R/W	R/W	R	R/W
Initial value	0	0	0	0	0	0	0	0
RST reset	0	Irrelevant	0	0	0	0	0	0

The following explains the function of each bit in the UDC Interrupt Enable Register (UDCIE).

[bit15:14] Reserved: Reserved bits

Always write "0" to these bits. They are always read as "0".

[bit13] SUSPIE: Suspend Interrupt Enable bit (SUSP Interrupt Enable)

This bit enables interrupts generated by the "SUSP" interrupt factor of the UDC Status Register.

bit	Description
0	Disables interrupts generated by the SUSP factor
1	Enables interrupts generated by the SUSP factor

[bit12] SOFIE: SOF Reception Interrupt Enable bit (SOF Interrupt Enable)

This bit enables interrupts generated by the "SOF" interrupt factor of the UDC Status Register.

bit	Description
0	Disables interrupts generated by the SOF factor
1	Enables interrupts generated by the SOF factor

[bit11] BRSTIE: Bus Reset Enable bit (BRST Interrupt Enable)

This bit enables interrupts generated by the "BRST" interrupt factor of the UDC Status Register.

bit	Description
0	Disables interrupts generated by the BRST factor
1	Enables interrupts generated by the BRST factor

[bit10] WKUPIE: Wake-up Interrupt Enable bit (WKUP Interrupt Enable)

This bit enables interrupts generated by the "WKUP" interrupt factor of the UDC Status Register.

bit	Description
0	Disables interrupts generated by the WKUP factor
1	Enables interrupts generated by the WKUP factor

[bit9] CONFN: Configuration Number Indication bit (CONFIguration Number)

This bit indicates the configuration number. The information is updated when the CONF interrupt factor of the UDC Status Register is set.

bit	Description
0	CONFIG number 0
1	CONFIG number 1

[bit8] CONFIE: Configuration Interrupt Enable bit (CONFIguration)

This bit enables interrupts generated by the "CONF" interrupt factor of the UDC Status Register.

bit	Description
0	Disables interrupts generated by the CONF factor.
1	Enables interrupts generated by the CONF factor.

5.7. EP0I Status Register (EP0IS)

The EP0I Status Register (EP0IS) indicates the status of the Endpoint 0 transfer in the IN direction.

The following figure shows the bit configuration of the EP0I Status Register (EP0IS).

bit	15	14	13	12	11	10	9	8
Field	BFINI	DRQIE	-	-	-	DRQI	-	-
Attribute	R/W	R/W	-	-	-	R/W	-	-
Initial value	1	0	X	X	X	1	X	X
BFINI reset	1	Irrelevant	X	X	X	1	X	X
bit	7	6	5	4	3	2	1	0
Field	-	-	-	-	-	-	-	-
Attribute	-	-	-	-	-	-	-	-
Initial value	X	X	X	X	X	X	X	X
BFINI reset	X	X	X	X	X	X	X	X

The following explains the function of each bit in the EP0I Status Register (EP0IS).

[bit15] BFINI: Send Buffer Initialization bit (BuFfer INItial)

This bit initializes the send buffer of transfer data. In addition, this bit is automatically set to "1" when the RST bit in the UDC Control Register (UDCC) is set to "1". If the RST bit was used for resetting, therefore, set the RST bit to "0" before clearing this bit.

bit	Description
0	Clears the initialization
1	Initializes the send buffer

<Note>

Initialization by the BFINI bit initializes the buffer and the DRQI bit. Before initializing the buffer, make sure that the DRQI or DRQO bit is set, and there is no access from the host, and then configure the STAL bit if necessary.

[bit14] DRQIE: Send Data Interrupt Enable bit (Data ReQuest In Interrupt Enable)

This bit enables interrupts generated by the "DRQI" interrupt factor of the EP0I Status Register.

bit	Description
0	Disables interrupts generated by the DRQI factor.
1	Enables interrupts generated by the DRQI factor.

[bit13:11] -: Undefined bits

The written value has no effect on operation. The read value is undefined.

[bit10] DRQI: Send/Receive Data Interrupt Request bit (Data ReQuest In)

This bit indicates that the IN packet transfer from the EP0 host normally ended and data was read out from the send buffer, so that the next send data can be written. The DRQI bit is an interrupt factor, and writing "1" is ignored. Clear it by writing "0". A read-modify-write access reads the bit as "1".

bit	Description
0	Clears the interrupt factor
1	Send data can be written to the send buffer

<Note>

This bit must be cleared after data has been written to the send buffer. Also while this bit is not set, "0" must not be written.

Data can be written to the send buffer when DRQI bit is "1". Also when the DRQI bit is cleared, data has been set to the send buffer. When an IN packet request is received while the DRQI bit is "1", therefore, NAK is sent automatically to the host.

[bit9:0] -: Undefined bits

The written value has no effect on operation. The read value is undefined.

5.8. EP00 Status Register (EP00S)

The EP00 Status Register (EP00S) indicates the status of the Endpoint 0 transfer in the OUT direction.

The following figure shows the bit configuration of the EP00 Status Register (EP00S).

bit	15	14	13	12	11	10	9	8
Field	BFINI	DRQOIE	SPKIE	-	-	DRQO	SPK	Reserved
Attribute	R/W	R/W	R/W	-	-	R/W	R/W	-
Initial value	1	0	0	X	X	0	0	0
BFINI reset	1	Irrelevant	Irrelevant	X	X	0	0	0
bit	7	6	5	4	3	2	1	0
Field	Reserved	SIZE						
Attribute	-	R	R	R	R	R	R	R
Initial value	X	X	X	X	X	X	X	X
BFINI reset	X	X	X	X	X	X	X	X

The following explains the function of each bit in the EP00 Status Register (EP00S).

[bit15] BFINI: Receive Buffer Initialization bit (BuFfer INItial)

This bit initializes the receive buffer for transfer data. This bit is also automatically set by setting the RST bit of the UDC Control Register (UDCC). If the RST bit was used for resetting, therefore, set the RST bit to "0" before clearing this bit.

bit	Description
0	Clears the initialization
1	Initializes the receive buffer

<Note>

Initialization by the BFINI bit initializes the DRQO and SPK bits. Before initializing the buffer, make sure that the DRQI or DRQO bit is set, and there is no access from the host, and then configure the STAL bit if necessary.

[bit14] DRQOIE: Receive Data Interrupt Enable bit (Data ReQuest Out Interrupt Enable)

This bit enables interrupts generated by the "DRQO" interrupt factor of the EP00 Status Register.

bit	Description
0	Disables interrupts generated by the DRQO factor
1	Enables interrupts generated by the DRQO factor

[bit13] SPKIE: Short Packet Interrupt Enable bit (SPK Interrupt Enable)

This bit enables interrupts generated by the "SPK" interrupt factor of the EP00 Status Register.

bit	Description
0	Disables interrupts generated by the SPK factor
1	Enables interrupts generated by the SPK factor

[bit12:11] -: Undefined bits

The written value has no effect on operation. The read value is undefined.

[bit10] DRQO: Receive Data Interrupt Request bit (Data ReQuest Out)

This bit indicates that the OUT packet transfer from the EP0 host normally ended, and data has been written to the receive buffer, which can be read out. This bit is an interrupt factor, and writing "1" is ignored. Clear it by writing "0". A read-modify-write access reads the bit as "1".

bit	Description
0	Clears the interrupt factor
1	Received data can be read from the receive buffer

<Note>

This bit must be cleared after data has been read from the receive buffer. Also while this bit is not set, "0" must not be written.

The receive buffer is not updated when DRQO is "1". The update is allowed when DRQO is cleared. When an OUT packet request is received while the DRQO bit is "1", therefore, NAK is sent automatically to the host.

[bit9] SPK: Short Packet Interrupt Request bit (Short Packet)

This bit indicates that the data size transferred from the host does not satisfy the maximum packet size (including 0-byte) set by PKS in the EP0 Control Register (EP0C) when the data has been received successfully. This bit is an interrupt factor, and writing "1" is ignored. Clear it by writing "0". A read-modify-write access reads the bit as "1".

bit	Description
0	Received data size satisfies the maximum packet size
1	Received data size does not satisfy the maximum packet size

[bit8:7] Reserved: Reserved bits

The written value has no effect on operation. They are always read as "0".

[bit6:0] SIZE: Packet Size Indication bits (packet SIZE)

These bits indicate the number of data bytes written to the receive buffer after EP0's OUT packet transfer has finished. The SIZE bits are updated to a valid value when the DRQO interrupt factor of the EP00 Status Register (EP0OS) has been set.

Example: 8 bytes => "0x08", 64 bytes => "0x40" (maximum value)

5.9. EP1 to EP5 Status Registers (EP1S to EP5S)

The EP1 to EP5 Status Registers (EP1S to EP5S) indicate the status of the Endpoint 1 to Endpoint 5.

The following figure shows the bit configuration of the EP1 to EP5 Status Registers (EP1S to EP5S).

■ EP1 Status Register (EP1S)

bit	15	14	13	12	11	10	9	8
Field	BFINI	DRQIE	SPKIE	Reserved	BUSY	DRQ	SPK	SIZE1
Attribute	R/W	R/W	R/W	-	R	R/W	R/W	R
Initial value	1	0	0	X	0	0	0	X
bit	7	6	5	4	3	2	1	0
Field	SIZE1							
Attribute	R	R	R	R	R	R	R	R
Initial value	X	X	X	X	X	X	X	X

■ EP2 to EP5 Status Registers (EP2S to EP5S)

bit	15	14	13	12	11	10	9	8
Field	BFINI	DRQIE	SPKIE	Reserved	BUSY	DRQ	SPK	Reserved
Attribute	R/W	R/W	R/W	-	R	R/W	R/W	-
Initial value	1	0	0	X	0	0	0	X
bit	7	6	5	4	3	2	1	0
Field	Reserved	SIZE2 to SIZE5						
Attribute	-	R	R	R	R	R	R	R
Initial value	0	X	X	X	X	X	X	X

The following explains the function of each bit in the EP1 to EP5 Control Registers (EP1S to EP5S).

[bit15] BFINI: Send/Receive Buffer Initialization bit (BuFfer INItial)

This bit initializes the send/receive buffer of transfer data. The BFINI bit is also automatically set by setting the RST bit of the UDC Control Register (UDCC). If the RST bit was used for resetting, therefore, set the RST bit to "0" before clearing the BFINI bit.

bit	Description
0	Clears the initialization
1	Initializes the send/receive buffer

<Note>

The EP1 to EP5 send/receive buffers have a double-buffer configuration. The BFINI bit initialization initializes the double buffers concurrently and also initializes the DRQ and SPK bits. Before initializing the buffer, make sure that the DRQ bit is set, and check the BUSY bit to make sure that there is no access from the host, and then configure the STAL bit.

[bit14] DRQIE: Packet Transfer Interrupt Enable bit (Data ReQuest Interrupt Enable)

This bit enables interrupts generated by the "DRQ" interrupt factor of the EP1 to EP5 Status Registers.

bit	Description
0	Disables interrupts generated by the DRQ factor
1	Enables interrupts generated by the DRQ factor

<Note>

To use the automatic buffer transfer mode (DMAE = 1), set DMA and enable transfer before enabling the DRQIE bit.

[bit13] SPKIE: Short Packet Interrupt Enable bit (SPK Interrupt Enable)

This bit enables interrupts generated by the "SPK" interrupt factor of the EP1 to EP5 Status Registers.

bit	Description
0	Disables interrupts generated by the SPK factor
1	Enables interrupts generated by the SPK factor

[bit12] Reserved: Reserved bit

The written value has no effect on operation. The read value is undefined.

[bit11] BUSY: Busy Flag bit (BUSY flag)

This bit indicates that the host is currently gaining write or read access to the send/receive buffer. The BUSY bit is automatically set or reset.

bit	Description
0	No access from the host
1	Write or read access from the host is in process

<Note>

If the BUSY bit is set to "1" while the DRQ bit is set to "1", it indicates that the host is currently accessing either of the double buffers that is not accessed by the CPU or via DMA.

Usually, control using the BUSY bit is not required. To initialize the buffer by setting BFINI, however, take the following steps previously.

1. Make sure that the DRQ bit has been set, and check the BUSY bit to make sure that there is no access from the host.
2. Set the STAL bit.

[bit10] DRQ: Packet Transfer Interrupt Request bit (Data ReQuest)

This bit indicates that the EP1 to EP5 packet transfer has normally ended, and processing of the data is required. The DRQ bit is an interrupt factor, and writing "1" is ignored. Clear the DRQ bit by writing "0" while it is "1". A read-modify-write access reads the bit as "1".

bit	Description
0	Clears the interrupt factor
1	Packet transfer normally ended

<Note>

If automatic buffer transfer mode (DMAE = 1) is not used, "0" must be written to the DRQ bit after data has been written or read to/from the send/receive buffer. Switch the access buffers once the DRQ bit is cleared. That DRQ = 0 may not be read after the DRQ bit is cleared. If the transfer direction is set to IN, and the DRQ bit is cleared without writing buffer data while the DRQ bit is "1", it implies that 0-byte data is set. If DIR of the EP1 to EP5 Control Registers (EP1C to EP5C) is set to "1" at initial settings, the DRQ bit of corresponding Endpoint is set at the same time. Also while the DRQ bit is not set, "0" must not be written.

[bit9] SPK: Short Packet Interrupt Request bit (Short PacKet)

This bit indicates that the data size transferred from the host does not satisfy the maximum packet size (including 0-byte) set by PKS in the EP1 to EP5 Control Registers (EP1C to EP5C) when the data has been received successfully. This bit is an interrupt factor, and writing "1" is ignored. Clear it by writing "0". A read-modify-write access reads the bit as "1".

bit	Description
0	Received data size satisfies the maximum packet size
1	Received data size does not satisfy the maximum packet size

<Note>

The SPK bit is not set during data transfer in the IN direction.

[EP2 to EP5: bit8:7] Reserved: Reserved bits

In EP2 to EP5, these bits are reserved. The written value has no effect on operation. They are always read as "0".

[(EP1: bit8:7) bit6:0] SIZE: packet SIZE

These bits indicate the number of data bytes written to the receive buffer when OUT packet transfer of EP1 to EP5 has finished. The SIZE bit is updated to a valid value when the DRQ interrupt factor of the EP1 to EP5 Status Registers (EP1S to EP5S) has been set.

The maximum transfer data size of Endpoint 1 to Endpoint 5 is as follows:

EndPoint	Maximum transfer size	Indication range
1	256 bytes	0x000 to 0x100
2 to 5	64 bytes	0x00 to 0x40

<Note>

These bits are set to the data size transferred from the host in the OUT direction and written to the buffer. Therefore, a value read during transfer in the IN direction has no effect on operation.

5.10. EP0 to EP5 Data Registers (EP0DTH to EP5DTH/EP0DTL to EP5DTL)

The EP0 to EP5 Data Registers (EP0DTH to EP5DTH/EP0DTL to EP5DTL) control writing or reading transfer data to/from the send/receive buffer for Endpoint 0 to Endpoint 5.

The following figure shows the bit configuration of the EP0 to EP5 Data Registers (EP0DTH to EP5DTH/EP0DTL to EP5DTL).

■ EP0DTH to EP5DTH

bit	15	14	13	12	11	10	9	8
Field	BFDL							
Attribute	R/W	R/W	R/W	R/W	R/W	R/W	R/W	R/W
Initial value	X	X	X	X	X	X	X	X

■ EP0DTL to EP5DTL

bit	7	6	5	4	3	2	1	0
Field	BFDL							
Attribute	R/W	R/W	R/W	R/W	R/W	R/W	R/W	R/W
Initial value	X	X	X	X	X	X	X	X

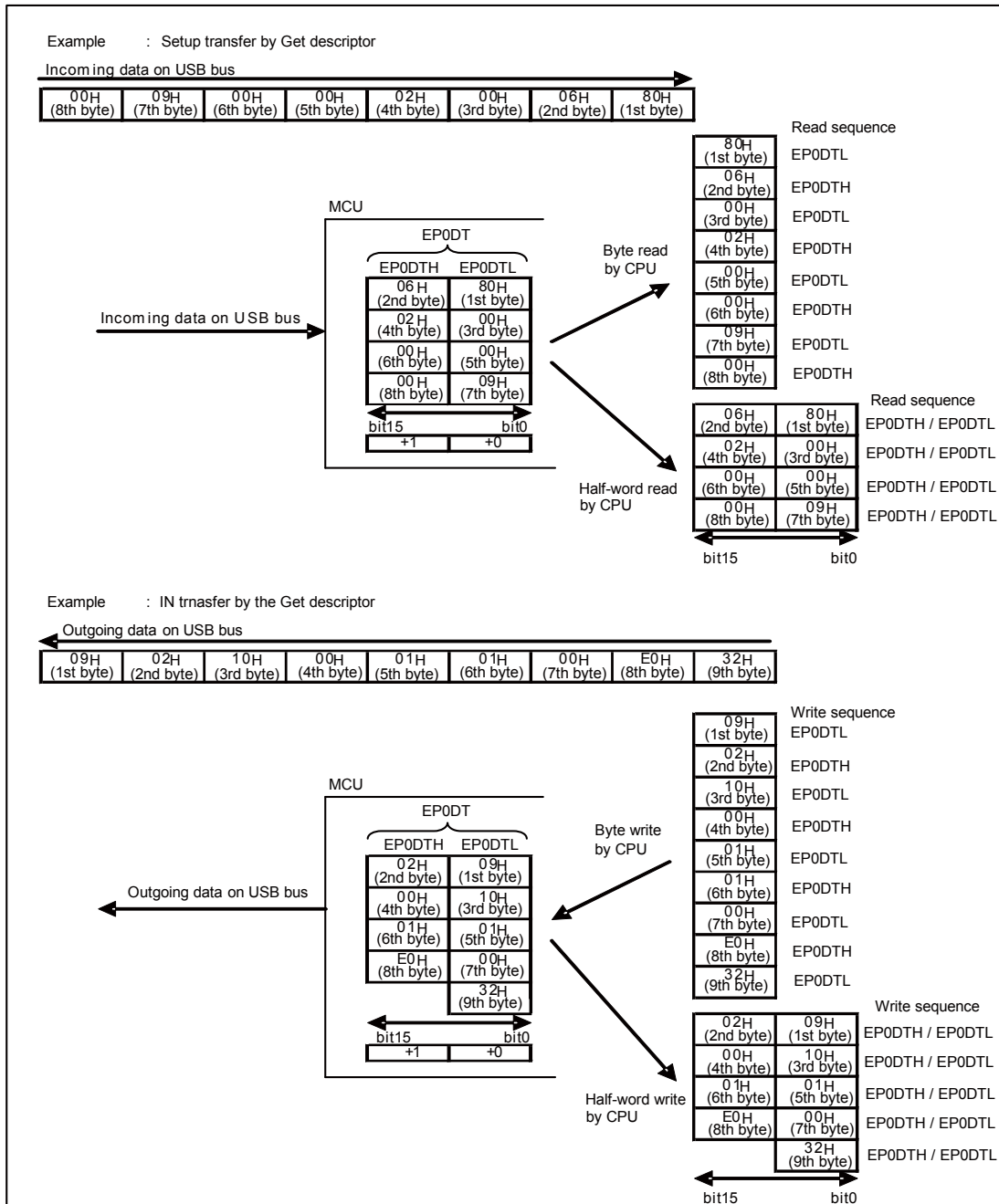
The following explains the function of each bit in the EP0 to EP5 Data Registers (EP0DTH to EP5DTH/EP0DTL to EP5DTL).

[bit15:0] BFDL: Endpoint Send/Receive Buffer Data bits (BuFfer DaTa)

A register used for data write/read to/from the send/received buffer for each end point.

<Notes>

- The CPU can access the EP0 to EP5 Data Registers (EP0DTH to EP5DTH/EP0DTL to EP5DTL) either by the byte or by the half-word.
 - Byte access
First access low-order (EPxDTL) and then high-order (EPxDTH). Subsequently, access low-order (EPxDTL) and high-order (EPxDTH) alternately.
- This register must not be accessed by the bit operation instruction.



The DMA transfer can only access the EP0 to EP5 Data Registers (EP0DTH to EP5DTH/EP0DTL to EP5DTL) by the half-word. (See " Automatic data size transfer mode" of "3.6 DMA transfer function".)

CHAPTER: USB Host

This chapter explains the functions and operations of the USB host.

1. Overview of USB host
2. USB host configuration
3. USB host operations
4. USB host setting procedure examples
5. USB host registers

1. Overview of USB host

This section explains the functions and operations of the USB host.

■ Features of USB host

The USB host has the following features:

- Automatic detection of full-speed or low-speed transfer
- Support of full-speed or low-speed transfer
- Automatic detection of device connection or disconnection
- Support of USB bus reset sending function
- Support of IN, OUT, SETUP, and SOF tokens
- Automatic sending of handshake packet for IN token (excluding STALL)
- Automatic detection of handshake packet for OUT token
- Support of maximum packet length of up to 256 bytes
- Support of actions against errors (CRC error, toggle error, and timeout)
- Support of Wake-up function
- Support of FUJITSU's original USB host functions which can also be operated as USB functions by switching the operation mode. (For restrictions in the USB host specifications, see Table 1-1.)

<Note>

Set the base clock to 13 MHz or higher when using the USB host.

Table 1-1 Restrictions in USB host specifications

		Host
Hub support		○*1
Transfer functions	Bulk transfer	○
	Control transfer	○
	Interrupt transfer	○
	Isochronous transfer	○
Transfer speed modes	Low Speed	○
	Full Speed	○
PRE packet support		x
SOF packet support		○
Error types	CRC error	○
	Toggle error	○
	Timeout	○
	Max. packet < Received data	○
Detection of device connection or disconnection		○
Detection of transfer speed		○

○: Supported.

x: Not supported.

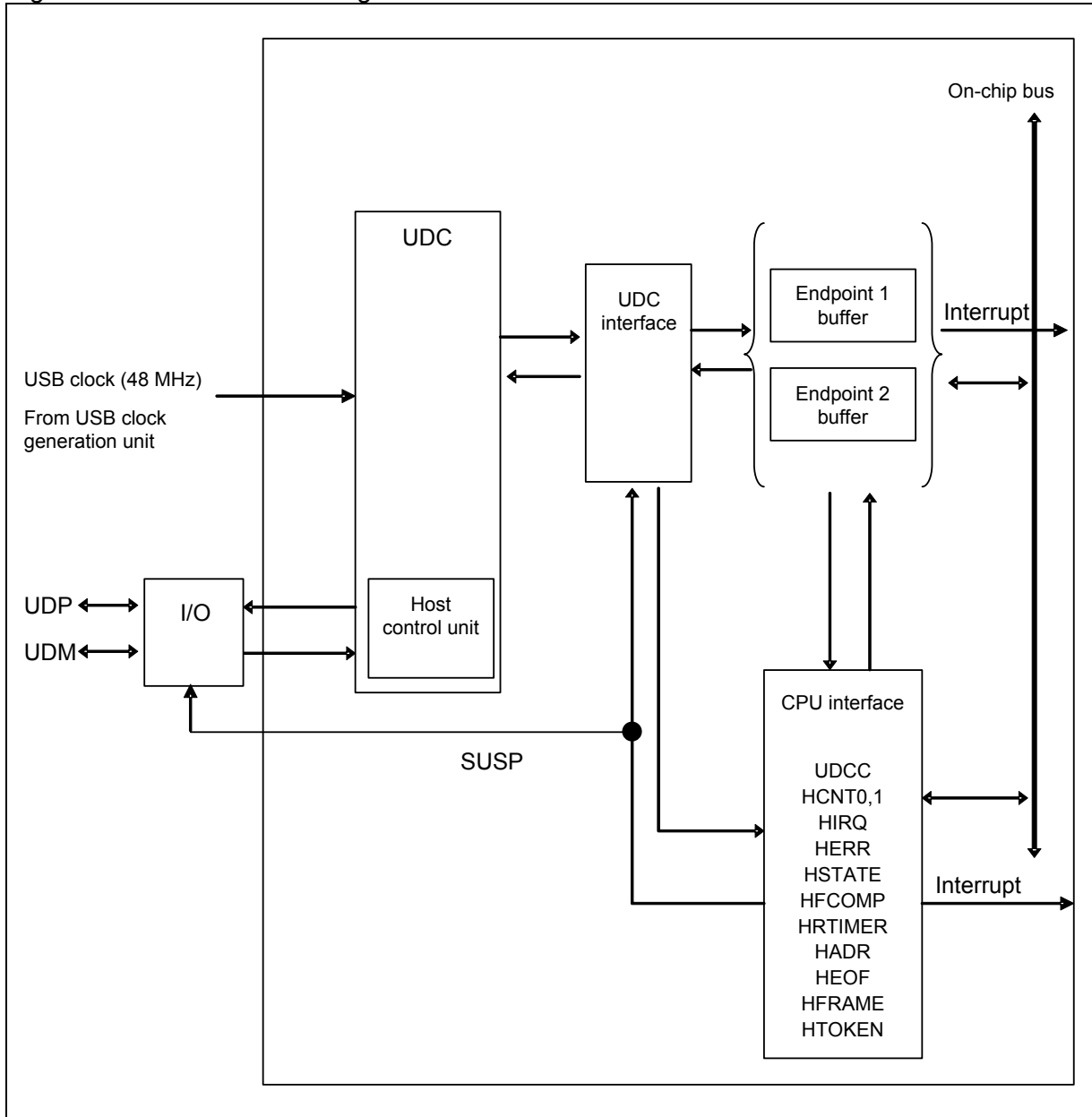
*1 : Supports a hub of up to one stage in only the full-speed mode.

2. USB host configuration

Figure 2-1 shows the USB host block diagram.

■ USB host block diagram

Figure 2-1 USB host block diagram



3. USB host operations

This section explains the operations of the USB host.

- 3.1 Device connection
- 3.2 USB bus resetting
- 3.3 Token packet
- 3.4 Data packet
- 3.5 Handshake packet
- 3.6 Retry function
- 3.7 SOF interrupt
- 3.8 Error status
- 3.9 End of packet
- 3.10 Suspend and resume operations
- 3.11 Device disconnection

3.1. Device connection

This section shows how to detect that an external USB device is connected using software.

■ Host function setting

To carry out USB operation, configure the setting of the USB clock generation unit and enable the USB clock output while the USBEN bit of the USB Enable Register (USBEN) is "0" (USB operation disabled). Next, set the USBEN bit to "1" (USB operation enabled). Then, to operate the USB as a host, set "1" to the HOST bit of Host Control Register 0 (HCNT0).

■ States whether or not an external USB device is connected

When an external USB device is not connected, both of host pins D+ and D- are set to "LOW" by the pull-down resistor. In this case, the CSTAT bit of the Host Status Register (HSTATE) is "0" and the TMODE bit is undefined. When an external USB device is connected, the CSTAT bit of the Host Status Register (HSTATE) is changed to "1".

■ Detection of external USB device connection

When a connection of an external USB device is detected, the CNNIRQ bit of the Host Interrupt Register (HIRQ) is set to "1". If "1" is set to the CNNIRE bit of Host Control Register 0 (HCNT0), a device connection interrupt occurs. To clear this interrupt, write "0" to the CNNIRQ bit of the Host Interrupt Register (HIRQ). When detecting a device connection by polling, instead of an interrupt, use the following steps to create a program.

1. Set the CNNIRE bit of Host Control Register 0 (HCNT0) to "0".
2. Check that the CNNIRQ bit of the Host Interrupt Register (HIRQ) changes to "1".

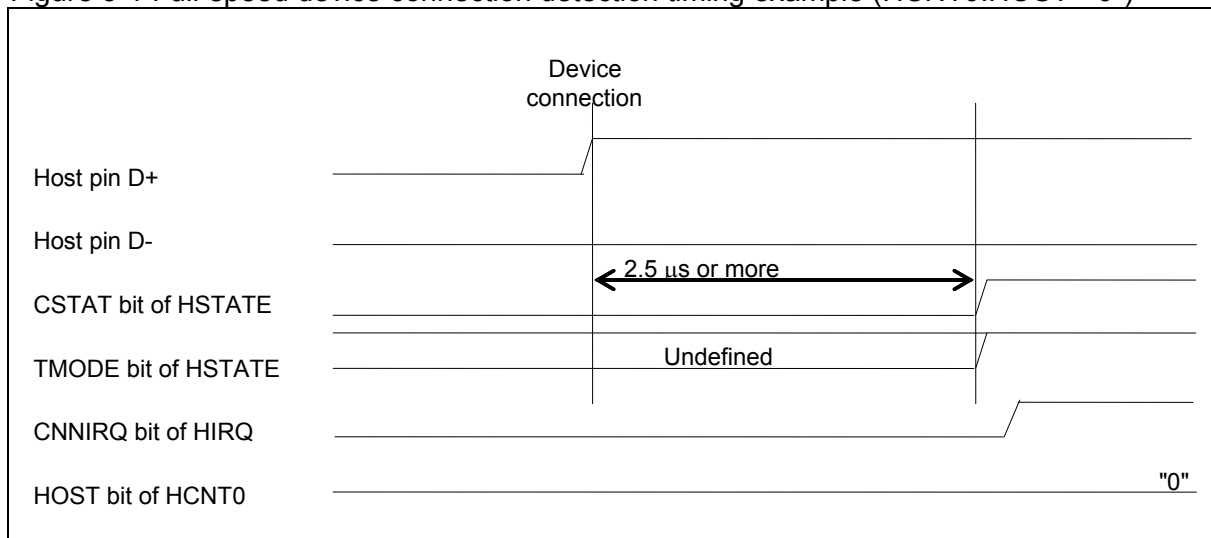
■ Obtaining the transfer speed of the remote USB device and selecting clocks

To obtain the possible transfer speed of the remote USB device after detecting a connection, check the value of the TMODE bit of the Host Status Register (HSTATE). The following shows the relationships between the transfer speed and the value of the TMODE bit of the Host Status Register (HSTATE).

- The destination is a device in the full-speed mode. -> TMODE="1"
- The destination is a device in the low-speed mode. -> TMODE="0"

If the RST bit of the UDC control register (UDCC) is "1" after obtaining the transfer speed of an external USB device, update the CLKSEL bit of the Host Status Register (HSTATE) according to the obtained transfer speed.

Figure 3-1 Full-speed device connection detection timing example (HCNT0:HOST="0")



<Notes>

- When 2.5μs or more lapsed after an external USB device was connected, the CSTAT bit of the Host Status Register (HSTATE) is changed to "1".
- The TMODE and CSTAT bits of the Host Status Register (HSTATE) are updated regardless of the setting of the HOST bit of Host Control Register 0 (HCNT0). The CNNIRQ and DIRQ bits of the Host Interrupt Register (HIRQ) are set to "1" if conditions are satisfied.

3.2. USB bus resetting

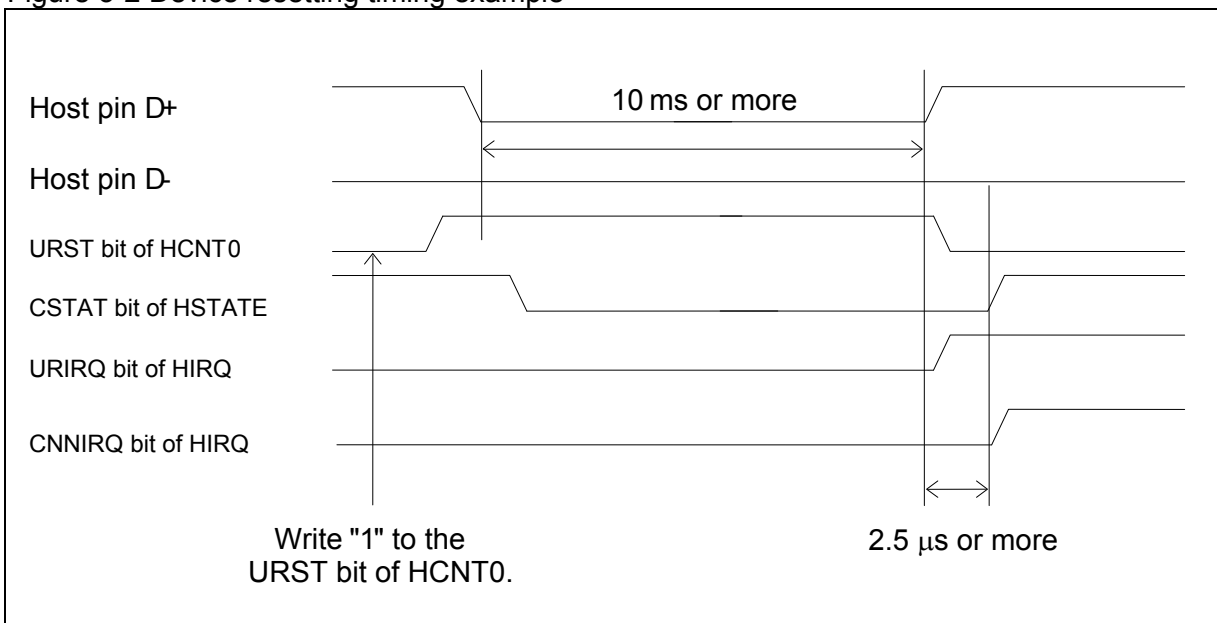
The USB bus is reset by sending SE0 for 10 ms or more if the URST bit of Host Control Register 0 (HCNT0) is set to "1" in the host mode. After USB bus resetting has been completed, the URST bit of Host Control Register 0 (HCNT0) is set to "0", and the URIRQ bit of the Host Interrupt Register (HIRQ) is set to "1". If the URIRE bit of Host Control Register 0 (HCNT0) is then set to "1", an interrupt occurs. To clear this interrupt, write "0" to the URIRQ bit of the Host Interrupt Register (HIRQ).

■ Notes on before and after resetting the USB bus

Note the following points when resetting the USB bus.

1. To check that the device is connected before resetting the USB bus, make sure that the CSTAT bit of the Host Status Register (HSTATE) is set to "1".
2. Resetting the USB bus changes the CSTAT bit of the Host Status Register (HSTATE) to "0", resulting in the USB device being disconnected. At this time, the DIRQ bit of the Host Interrupt Register (HIRQ) is not set to "1".
3. After USB bus resetting has been completed, compare the value of the CLKSEL bit with that of the TMODE bit in the Host Status Register (HSTATE). If they do not match, update the CLKSEL bit to make a match. Update the CLKSEL bit when the RST bit of the UDC Control Register (UDCC) is "1".
4. After USB bus resetting has been completed, check that the USB device is connected using one of the bits shown below, and execute token processing.
 - CNNIRQ bit of Host Interrupt Register (HIRQ)
 - CSTAT bit of Host Status Register (HSTATE)

Figure 3-2 Device resetting timing example



<Note>

No token is issued if a connection of the USB device is not detected after USB bus resetting has been completed.

3.3. Token packet

When issuing an IN, OUT, or SETUP token in the host mode, use the following setting steps to send a token packet.

1. Set the Host Address Register (HADR).
2. Set the DIR and PKS bits of the EP1 Control Register (EP1C) or EP2 Control Register (EP2C).
3. Write the required data to the Host Token Endpoint Register (HTOKEN).

When issuing an SOF token, set the Frame Setup Register (HFRAME) and EOF Setup Register (HEOF), and write the required data to the Host Token Endpoint Register (HTOKEN). The setting above is not required if no change is made in the HADR, EP1C, EP2C, HFRAME, and HEOF registers.

■ Token packet setting

In the host mode, use endpoint 1 and endpoint 2 buffers to send and receive data.

When issuing an IN, OUT, or SETUP token, specify the destination address in the Host Address Register (HADR). Then, specify the maximum number of bytes for each packet in the PKS bit and the transfer direction of each packet in the DIR bit of the EP1 Control Register (EP1C) or EP2 Control Register (EP2C) respectively.

If the DIR bit of the EP1 Control Register (EP1C) is "1", the endpoint 1 buffer is used as an OUT buffer. The endpoint 2 buffer is used as an IN buffer. Then set "0" to the DIR bit of the EP2 Control Register (EP2C).

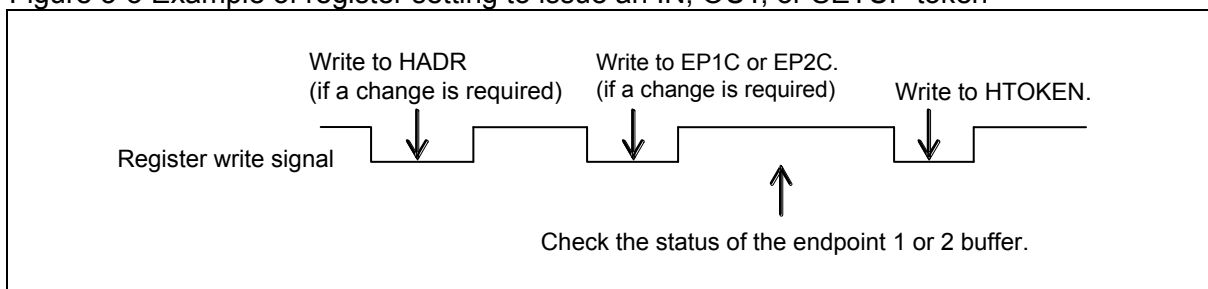
If the DIR bit of the EP1 Control Register (EP1C) is "0", the endpoint 1 buffer is used as an IN buffer. The endpoint 2 buffer is used as an OUT buffer. Then set "1" to the DIR bit of the EP2 Control Register (EP2C).

Take the following steps to execute token processing.

1. Specify the DIR and PKS bits of the EP1 Control Register (EP1C) and EP2 Control Register (EP2C).
2. If the target endpoint n (n: 1 or 2) is set to the OUT direction, write send data to the endpoint n (n: 1 or 2) buffer. Also set "0" to the DRQ bit of the EPn Status Register (EPnS: n = 1 or 2).
If the IN direction is selected, read the DRQ bit of the EPn Status Register (EPnS: n = 1 or 2), and check that its value is "0".
3. Specify the target endpoint, token, and toggle data in the Host Token Endpoint Register (HTOKEN).

The USB circuit sends a token packet in the order of Sync, token, address, endpoint, CRC5, and EOP based on the specified token; however, Sync, CRC5, and EOP are sent automatically. After one packet has been sent, the CMPIRQ bit of the Host Interrupt Register (HIRQ) is set to "1". The TKNEN bit of the Host Token Endpoint Register (HTOKEN) is set to "0b000" (see "3.7 SOF interrupt"). At this time, if the CMPIRE bit of Host Control Register 0 (HCNT0) is "1", an interrupt occurs. To clear this interrupt, write "0" to the CMPIRQ bit of the Host Interrupt Register (HIRQ).

Figure 3-3 Example of register setting to issue an IN, OUT, or SETUP token



When issuing an SOF token, specify the EOF time in the EOF Setup Register (HEOF) and the frame number in the Frame Setup Register (HFRAME) respectively. Then specify an SOF token code in the TKNEN bit of the Host Token Endpoint Register (HTOKEN). After this, Sync, SOF token, frame number, CRC5, and EOP are sent, the SOFBUSY bit of the Host Status Register (HSTATE) is set to "1", and the Frame Setup Register (HFRAME) is incremented by one. The CMPIRQ bit of the Host Interrupt Register (HIRQ) is also set to "1", causing the TKNEN bit of the Host Token Endpoint Register (HTOKEN) to be cleared to "(000)b". If the CMPIRE bit of Host Control Register 0 (HCNT0) is "1", an interrupt occurs. When SOF is sent automatically, an interrupt by CMPIRQ does not occur. To clear a token completion interrupt, write "0" to the CMPIRQ bit of the Host Interrupt Register (HIRQ). SOF is automatically sent every 1 ms while the SOFBUSY bit of the Host Status Register (HSTATE) is "1". The following shows the conditions (SOF stop conditions) to set the SOFBUSY bit of the Host Status Register (HSTATE) to "0".

- Write "0" to the SOFBUSY bit of the Host Status Register (HSTATE).
- Reset the USB bus (write "1" to the URST bit of HCNT0).
- Write "1" to the SUSP bit of the Host Status Register (HSTATE).
- Disconnect the USB device (when the CSTAT bit of HSTATE is "0").

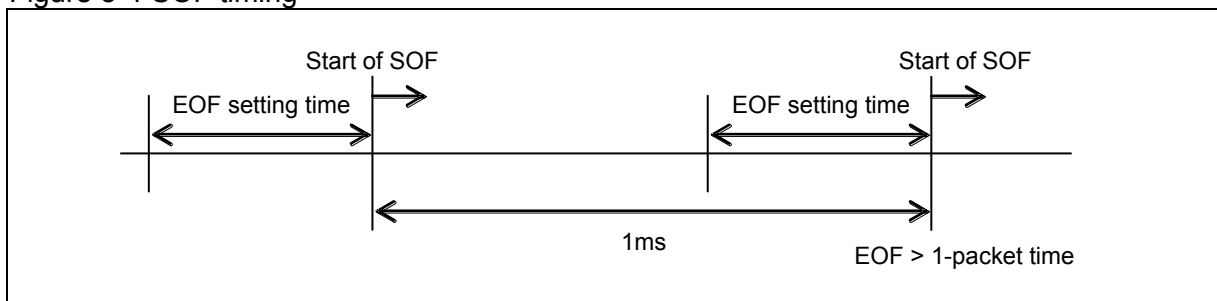
Take the following steps to change the USB from the host mode to the function mode.

1. Set "0" to the SOFBUSY bit of the Host Status Register (HSTATE).
2. Check the following conditions.
 - The SOFBUSY bit of the Host Status Register (HSTATE) is cleared to "0".
 - The TKNEN bit of the Host Token Endpoint Register (HTOKEN) is set to "000".
 - The SUSP bit of the Host Status Register (HSTATE) is set to "0".
3. Set "1" to the RST bit of the UDC Control Register (UDCC).
4. Change the operation mode from the host mode to the function mode.

To set the SOFBUSY bit of the Host Status Register (HSTATE) to "1" again, send an SOF token once more.

The EOF Setup Register is used to prevent SOF from being sent simultaneously with other tokens. If the TKNEN bit of the Host Token Endpoint Register (HTOKEN) is written in the period from the EOF setting time to the SOF starting time, the specified token is placed into the wait state. After SOF has been sent, the token in the wait state is issued. The EOF Setup Register specifies a 1-bit time as the time unit. For example, if "0x10" is specified in the EOF Setup Register, the time is set to $16 \times 1/12\text{MHz} = 1333.3\text{ns}$ in the full-speed mode and $16 \times 1/1.5\text{MHz} = 10666.6\text{ns}$ in the low-speed mode. When the EOF setting time is shorter than the 1-packet time, SOF may be sent doubly during execution of other token. In this case, the LSTSOF bit of the Host Error Status Register (HERR) is set to "1", and SOF is not sent. If "1" is set to the LSTSOF bit of the Host Error Status Register (HERR), the value of the EOF Setting Register must be increased (see the explanation of the EOF Setup Register).

Figure 3-4 SOF timing



3.4. Data packet

When sending a data packet after a token packet, transfer toggle data based on the value of the TGGL bit of the Host Token Endpoint Register (HTOKEN). Further, send endpoint 1 or 2 buffer data, CRC16 data, and EOP depending on the value of the DIR bit of the EP1 Control Register (EP1C).

When receiving a data packet, compare the value of the TGGL bit of the Host Token Endpoint Register (HTOKEN) with the received toggle data. If they match, the received data is distributed to the Endpoint 1 or Endpoint 2 buffer depending on the value of the DIR bit of the EP1 Control Register (EP1C) to check for a CRC16 error.

■ Data packet

Take the following steps to send or receive a data packet after sending a token packet.

1. For sending
 - Automatically send Sync.
 - If the TGGL bit of the Host Token Endpoint Register (HTOKEN) is "0", send DATA0. If the TGGL bit is "1", send DATA1.
 - If the DIR bit of the EP1 Control Register (EP1C) is "1", select the Endpoint 1 buffer. If the DIR bit of the EP1 Control Register (EP1C) is "0", select the Endpoint 2 buffer. Then, send all the target data.
 - Send a 16-bit CRC.
 - Send a 2-bit EOP.
 - Send a 1-bit J State.

2. For receiving
 - Receive Sync.
 - Receive toggle data, and compare it with the value of the TGGL bit of the Host Token Endpoint Register (HTOKEN).
 - If the toggle data matches the value of the TGGL bit, check the DIR bit of the EP1 Control Register (EP1C). If the DIR bit is "1", select the Endpoint 2 buffer. If the DIR bit of the EP1 Control Register (EP1C) is "0", select the Endpoint 1 buffer. Then, distribute the received data to the respective buffers.
 - Verify the 16-bit CRC when EOF is received.

When the HOST bit of Host Control Register 0 (HCNT0) is "1", set the inverted value to the respective DIR bits of the EP1 Control Register (EP1C) and EP2 Control Register (EP2C). For example, if "0" is set to the DIR bit of the EP1 Control Register (EP1C), set "1" to the DIR bit of the EP2 Control Register (EP2C).

3.5. Handshake packet

A handshake packet is used to notify the remote device of the status of the local device.

■ Handshake packet

A handshake packet sends either one of ACK, NAK, and STALL from the receiving side when it is judged that the receiving side is ready to receive data normally. If the USB circuit receives a handshake packet, the type of the received handshake packet is set to the HS bit of the Host Error Status Register (HERR). If the USB circuit sends a handshake packet, the type of the sent handshake packet is set to the HS bit of the Host Error Status Register (HERR).

3.6. Retry function

When a NAK or CRC error occurs at the end of a packet, if "1" is set to the RETRY bit of Host Control Register 1 (HCNT1), processing is retried repeatedly for the period specified in the Retry Timer Setting Register (HRTIMER).

■ Retry function

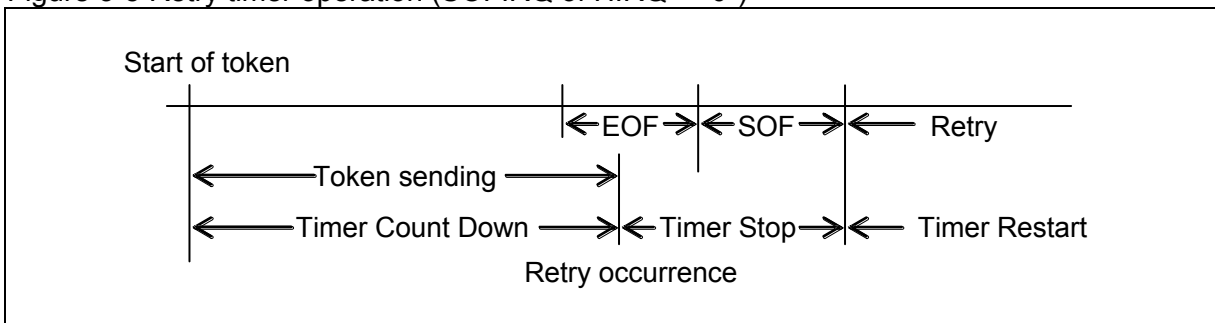
When an error* other than STALL or device disconnection occurs, the target token is retried if the RETRY bit of Host Control Register 1 (HCNT1) is "1". The following shows the conditions to end retry processing.

* : HERR:HS="01", HERR:RERR="1", HERR:TOUT="1", HERR:TGERR="1", HERR:CRC="1",
HERR:STUFF="1"

- The RETRY bit of Host Control Register 1 (HCNT1) is set to "0".
- "0" is detected in the retry timer.
- The interrupt flag is generated by SOF (SOFIRQ of HIRQ = "1").
- ACK is detected.
- A device disconnection is detected.

The retry timer is activated at start of a token, and counted down by a 1-bit transfer clock. If retry occurs in the EOF area, counting stops. If a SOF token is ended while the SOFIRQ bit of HIRQ is "0", counting restarts from the timer value at the time when counting stopped. When the retry timer runs out to "0" and a packet ends, the CMPIRQ bit of the Host Interrupt Register (HIRQ) is set to "1".

Figure 3-5 Retry timer operation (SOFIRQ of HIRQ = "0")



When retry processing is ended, end information of the EOP is set to each register.

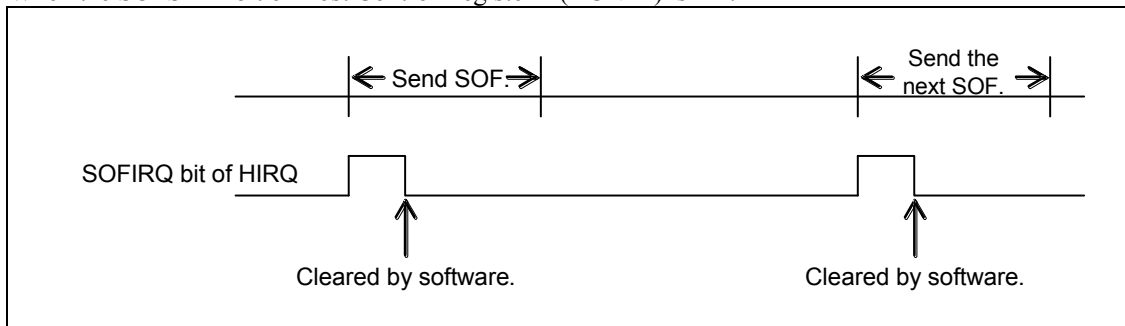
3.7. SOF interrupt

The SOFIRQ bit of the Host Interrupt Register (HIRQ) is set to "1" at start of SOF depending on the setting of the SOFSTEP bit of Host Control Register 1 (HCNT1) and SOF Interrupt Frame Compare Register (HFCOMP). If the SOFIRE bit of Host Control Register 0 (HCNT0) is "1", an interrupt occurs. When SOF processing is executed using the Host Token Endpoint Register (HTOKEN), the SOFIRQ bit of the Host Interrupt Register (HIRQ) is not set to "1".

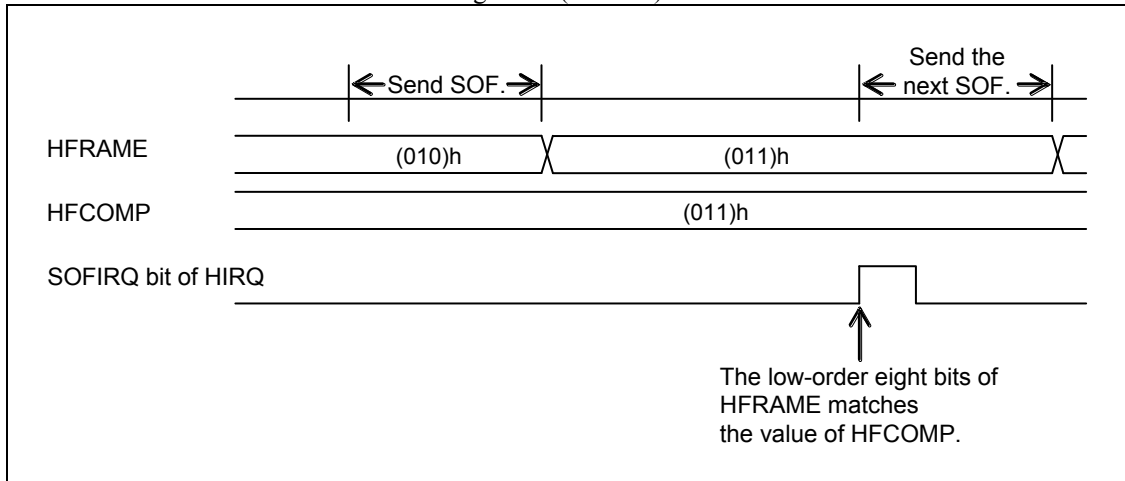
■ SOF interrupt

When the SOFSTEP bit of Host Control Register 1 (HCNT1) is "0", the value of the SOF Interrupt Frame Compare Register (HFCOMP) is compared with the low-order eight bits of the frame number for SOF token. If they match, "1" is set to the SOFIRQ bit of the Host Interrupt Register (HIRQ) when sending SOF. When the SOFSTEP bit of Host Control Register 1 (HCNT1) is "1", "1" is set to the SOFIRQ bit of the Host Interrupt Register (HIRQ) each time SOF is sent.

1. When the SOFSTEP bit of Host Control Register 1 (HCNT1) is "1":



2. When the SOFSTEP bit of Host Control Register 1 (HCNT1) is "0":



If "1" is set to the CANCEL bit of Host Control Register 1 (HCNT1), the target token is not sent when it is set at the following timing.

- A token other than SOF is set to the Host Token Endpoint Register (HTOKEN) in the EOF area.

If a token is set at this timing, the following operations are carried out.

- If the SOFIRQ bit of the Host Interrupt Register (HIRQ) is set to "1" when the next SOF is sent, the TKNEN bit of the Host Token Endpoint Register (HTOKEN) is immediately cleared to "0b000". In this case, that token is not sent.

The TKNEN bit of the Host Token Endpoint Register (HTOKEN) is cleared at the following timing.

At this timing, the CMPIRQ bit of the Host Interrupt Register (HIRQ) is not set to "1". When the SOFIRQ bit is set to "1", the TCAN bit of the Host Interrupt Register (HIRQ) indicates that a token is canceled. When retrying to send a token, write "0" to the TCAN bit of the Host Interrupt Register (HIRQ). Then write a token to be sent to the TKNEN bit of the Host Token Endpoint Register (HTOKEN).

If "0" is set to the CANCEL bit of Host Control Register 1 (HCNT1), the token specified in the Host Token Endpoint Register (HTOKEN) is sent following SOF.

Figure 3-6 Token cancellation example at CANCEL bit of HCNT1 = "1"

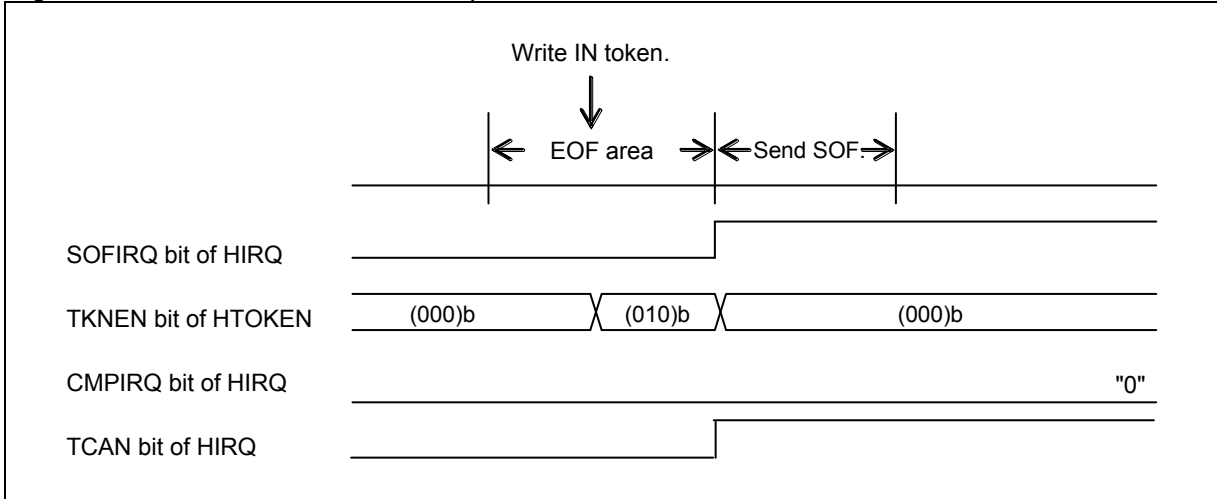
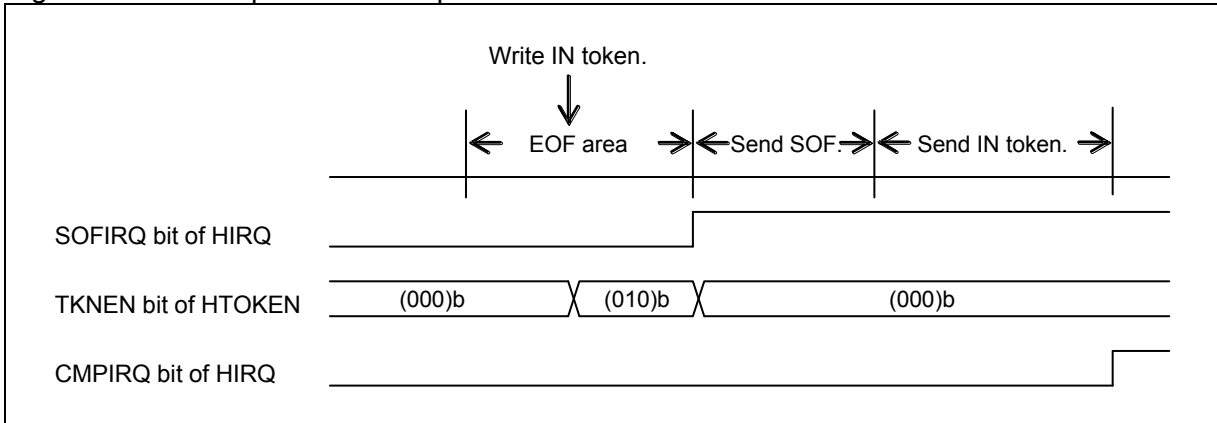


Figure 3-7 Token operation example at CANCEL bit of HCNT1 = "0"



3.8. Error status

The USB host supports error information.

■ Error status

1. Stuffing Error

If "1" is successively set to six bits, "0" is inserted into one bit. If "1" is successively detected in seven bits, it is judged to be Stuffing Error, and the STUFF bit of the Host Error Status Register (HERR) is set to "1". To clear this status, write "0" to the STUFF bit. If the next token is sent without clearing the STUFF bit, a factor is reflected on the STUFF bit when the next token is ended.

2. Toggle Error

When sending an IN token, the toggle data of a data packet is compared with the value of the TGGL bit of the Host Token Endpoint Register (HTOKEN). If they do not match, the TGERR bit of the Host Error Register (HERR) is set to "1". To clear the TGERR bit, write "0" to the TGERR bit of the Host Error Register (HERR). If the next token is sent without clearing the TGERR bit, a factor is reflected on the TGERR bit when the next token is ended.

3. CRC Error

When receiving an IN token, data and CRC of the received data packet are obtained with the CRC polynomial $G(X) = X^{16} + X^{15} + X^2 + 1$. If the remainder is not "(800d)h", it means that CRC Error occurs, and the CRC bit of the Host Error Register (HERR) is set to "1". To clear the CRC bit, write "0" to the CRC bit of the Host Error Register (HERR). If the next token is sent without clearing the CRC bit, a factor is reflected on the CRC bit when the next token is ended.

4. Time Out Error

"1" is set to the TOUT bit of the Host Error Status Register (HERR) when:

- A data packet or handshake packet has not been input in the specified time;
- SE0 has been detected during data receiving; or
- Stuffing Error has been detected.

To clear the TOUT bit, write "0" to the TOUT bit of the Host Error Register (HERR). If the next token is sent without clearing the TOUT bit, a factor is reflected on the TOUT bit when the next token is ended.

5. Receive Error

If EP1 is used as a receive buffer, the value of the PKS bit of the EP1 Control Register (EP1C) is used as the receive packet size. If EP2 is used as a receive buffer, the value of the PKS bit of the EP2 Control Register (EP2C) is used as the receive packet size. When the received data exceeds the specified receive packet size, the RERR bit of the Host Error Status Register (HERR) is set to "1". To clear the RERR bit, write "0" to the RERR bit of the Host Error Register (HERR). If the next token is sent without clearing the RERR bit, a factor is reflected on the RERR bit when the next token is ended.

3.9. End of packet

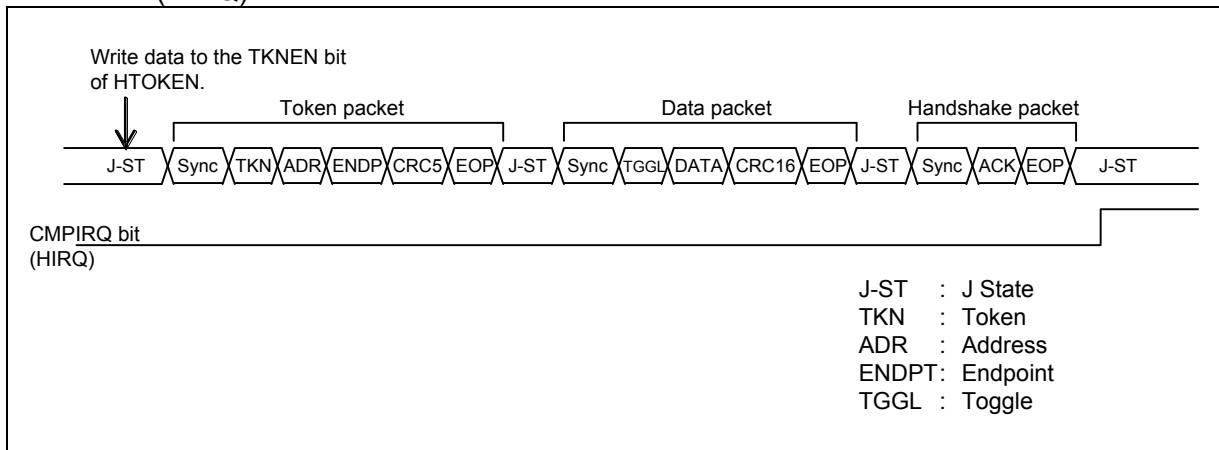
If one packet is ended in the USB host, the CMPIRQ bit of the Host Interrupt Register (HIRQ) is set to "1". At this time, if the CMPIRE bit of Host Control Register 0 (HCNT0) is "1", an interrupt occurs.

■ Packet end timing

When one packet ends, the interrupt flag is generated when:

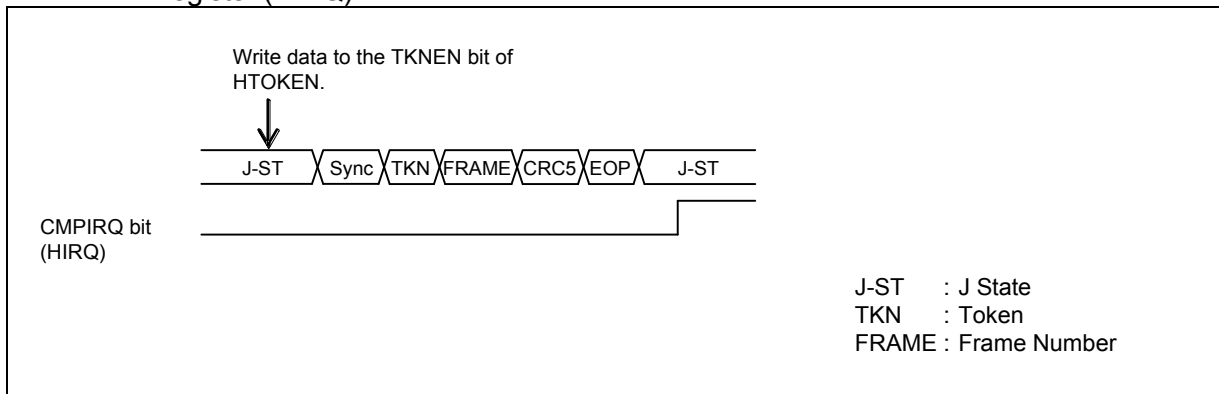
- The TKNEN bit of the Host Token Endpoint Register (HTOKEN) is "(001)b", "(010)b", or "(011)b" (SETUP token, IN token, or OUT token).

Figure 3-8 Timing example 1 when setting the CMPIRQ bit of the Host Interrupt Register (HIRQ)



- The TKNEN bit of the Host Token Endpoint Register (HTOKEN) is "(100)b" (SOF token).

Figure 3-9 Timing example 2 (SOF token) when setting the CMPIRQ bit of the Host Interrupt Register (HIRQ)



3.10. Suspend and resume operations

The USB host supports suspend and resume operations.

■ Suspend operation

If "1" is set to the SUSP bit of the Host Status Register (HSTATE), the procedure below is performed, and the USB circuit is placed into the suspend state.

- The USB bus is placed in the high-impedance state.
- A circuit block with no clock required is stopped.

If the USB circuit is placed in the suspend state, the SUSP bit of the Host Status Register (HSTATE) is set to "1".

However, the following operations are prohibited while resetting the USB bus.

- "1" is set to the SOFBUSY bit of the Host Status Register (HSTATE) or the USB circuit is placed into the suspend state during data transfer.
- Clocks supplied to the USB are stopped in the suspend state.

Take the following steps to stop clocks.

1. Change to the stop or timer mode.
2. Set the UCEN bit of the USB Clock Setup Register (UCCR) to "0".

■ Resume operation

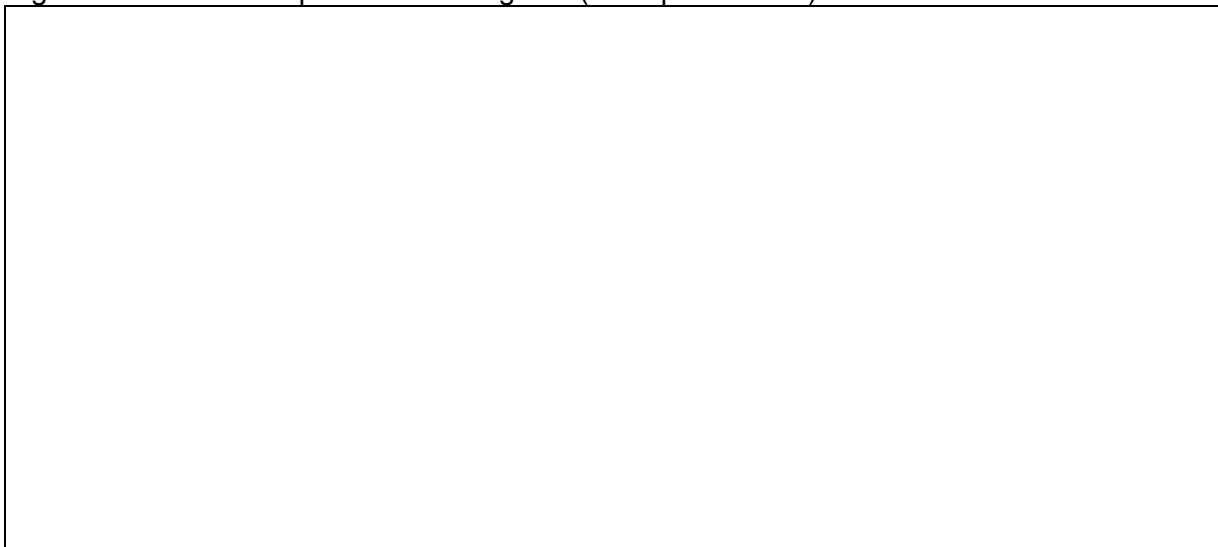
The USB bus changes from the suspend state to the resume state to resume processing when one of the following conditions is satisfied.

- "0" is set to the SUSP bit of the Host Status Register (HSTATE).
- The host pin D+ or D- is placed in the K-state mode.
- A device disconnection is detected.
- A device connection is detected.

After the RWKIRQ bit of the Host Interrupt Register (HRQ) has been set to "1", a token can be issued. The following shows the operation timing for each condition.

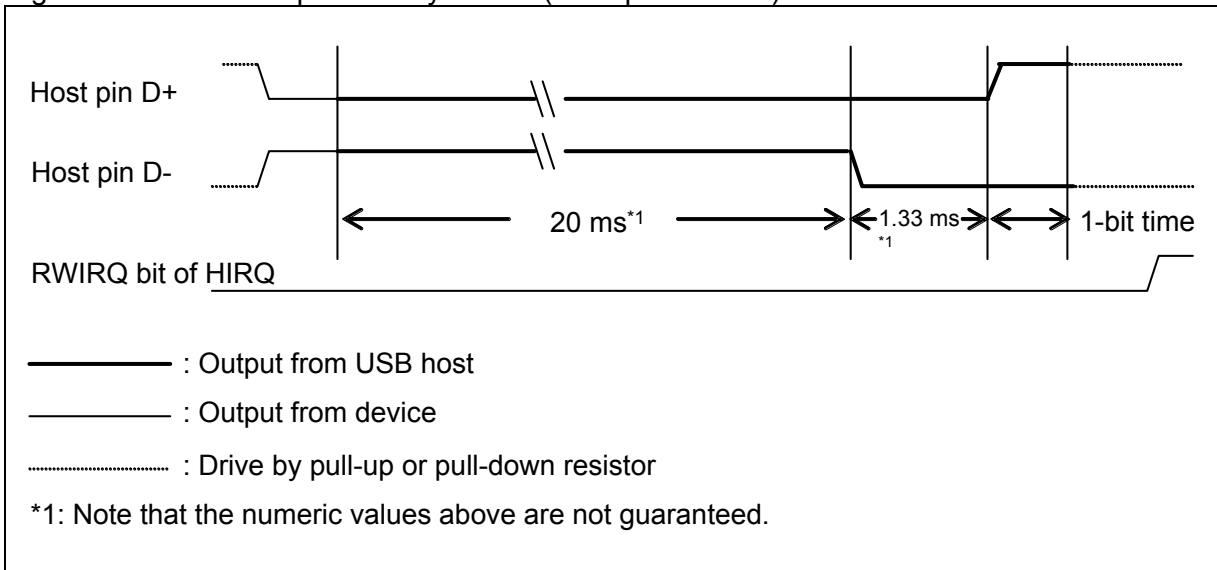
- "0" is set to the SUSP bit of the Host Status Register (HSTATE).

Figure 3-10 Resume operation with register (Full-speed mode)



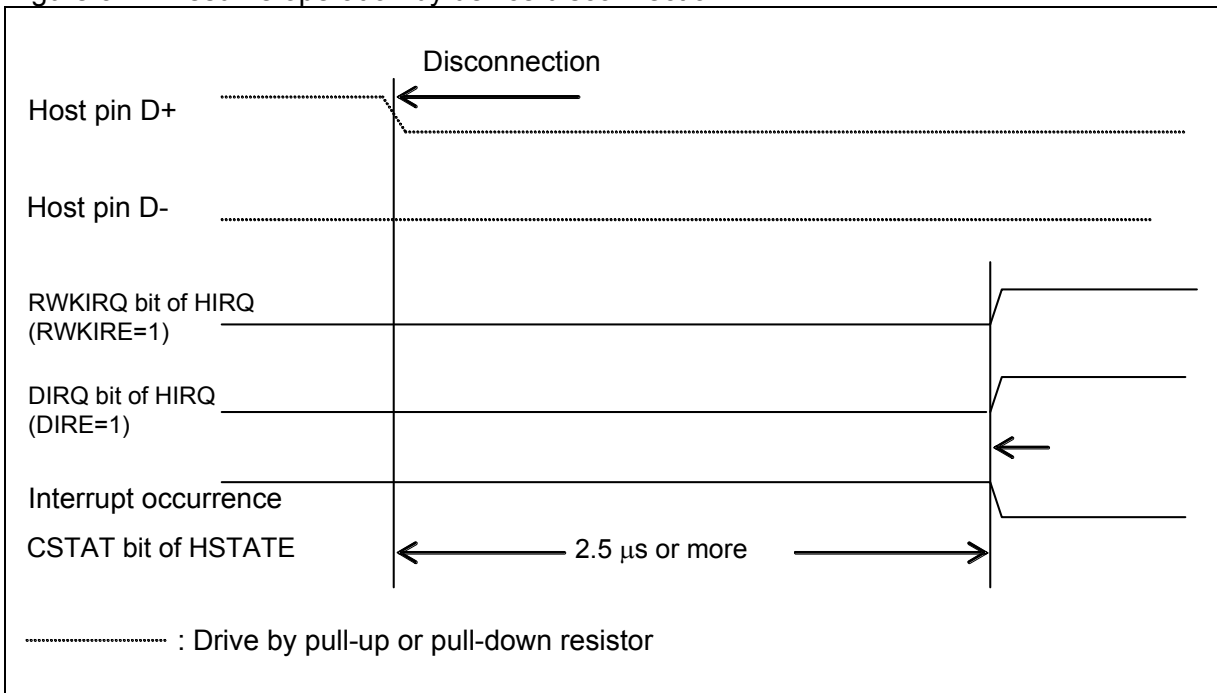
- The state that host pin D+ or D- is placed in the K-state mode has been detected.

Figure 3-11 Resume operation by device (Full-speed mode)



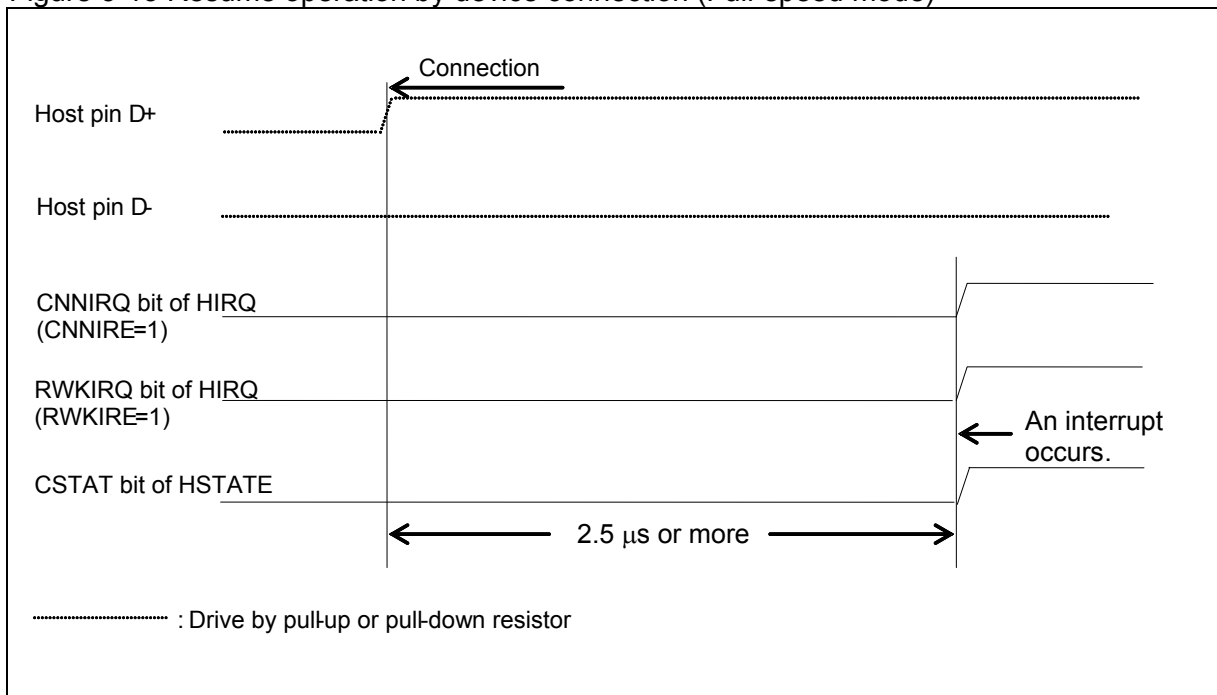
- A device disconnection is detected.

Figure 3-12 Resume operation by device disconnection



- A device connection is detected.

Figure 3-13 Resume operation by device connection (Full-speed mode)



3.11. Device disconnection

The device disconnection timer starts when both the host pins D+ and D- are set to "LOW". If "LOW" is detected for 2.5 μ s or more, the CSTAT bit of the Host Status Register (HSTATE) is set to "0".

■ Device disconnection

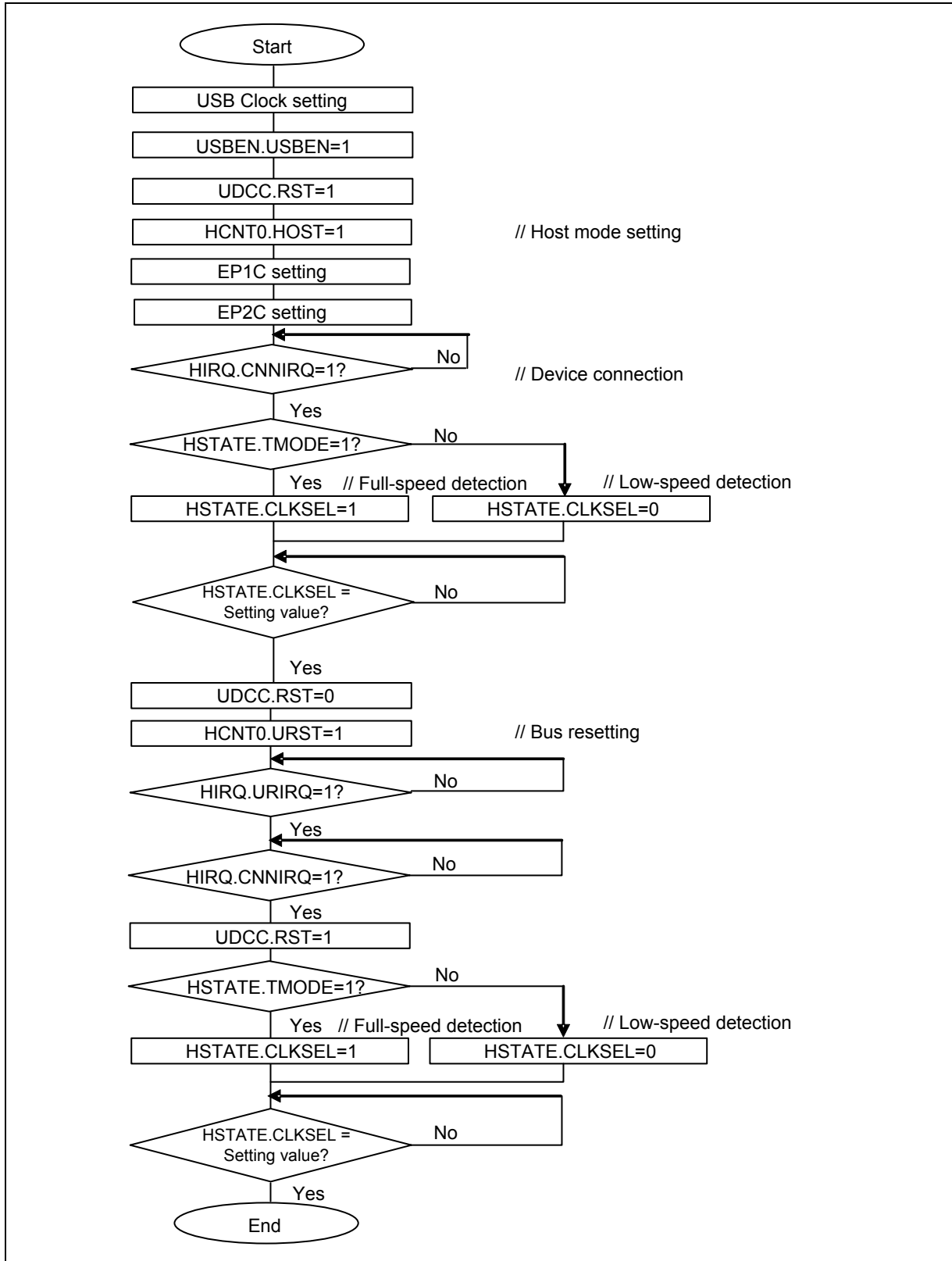
If both the host pins D+ and D- remain set to "LOW" for 2.5 μ s or more regardless of the host or function mode, it is judged that the device has been disconnected. This then sets "0" to the CSTAT bit of the Host Status Register (HSTATE) and "1" to the DIRQ bit of the Host Interrupt Register (HIRQ). At this time, if the DIRE bit of Host Control Register 0 (HCNT0) is "1", an interrupt occurs. To clear this interrupt, write "0" to the DIRQ bit of the Host Interrupt Register (HIRQ).

If the USB bus is reset, it is judged that the device has been disconnected. In this case, the CSTAT bit of the Host Status Register (HSTATE) is set to "0", but the DIRQ bit of the Host Interrupt Register (HIRQ) is not set to "1".

4. USB host setting procedure examples

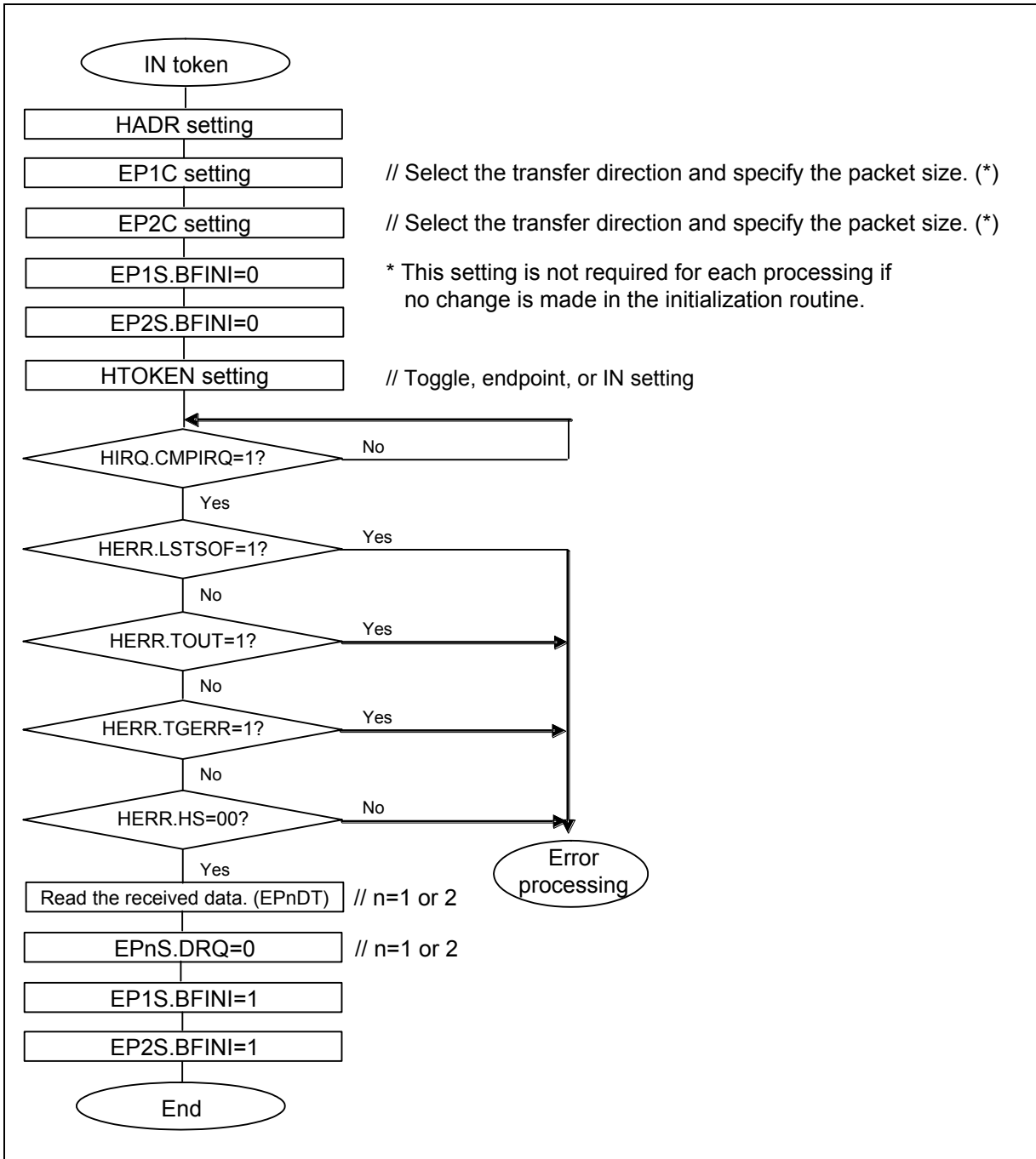
The following shows the flowchart for the USB host tokens.

■ Initialization and device detection

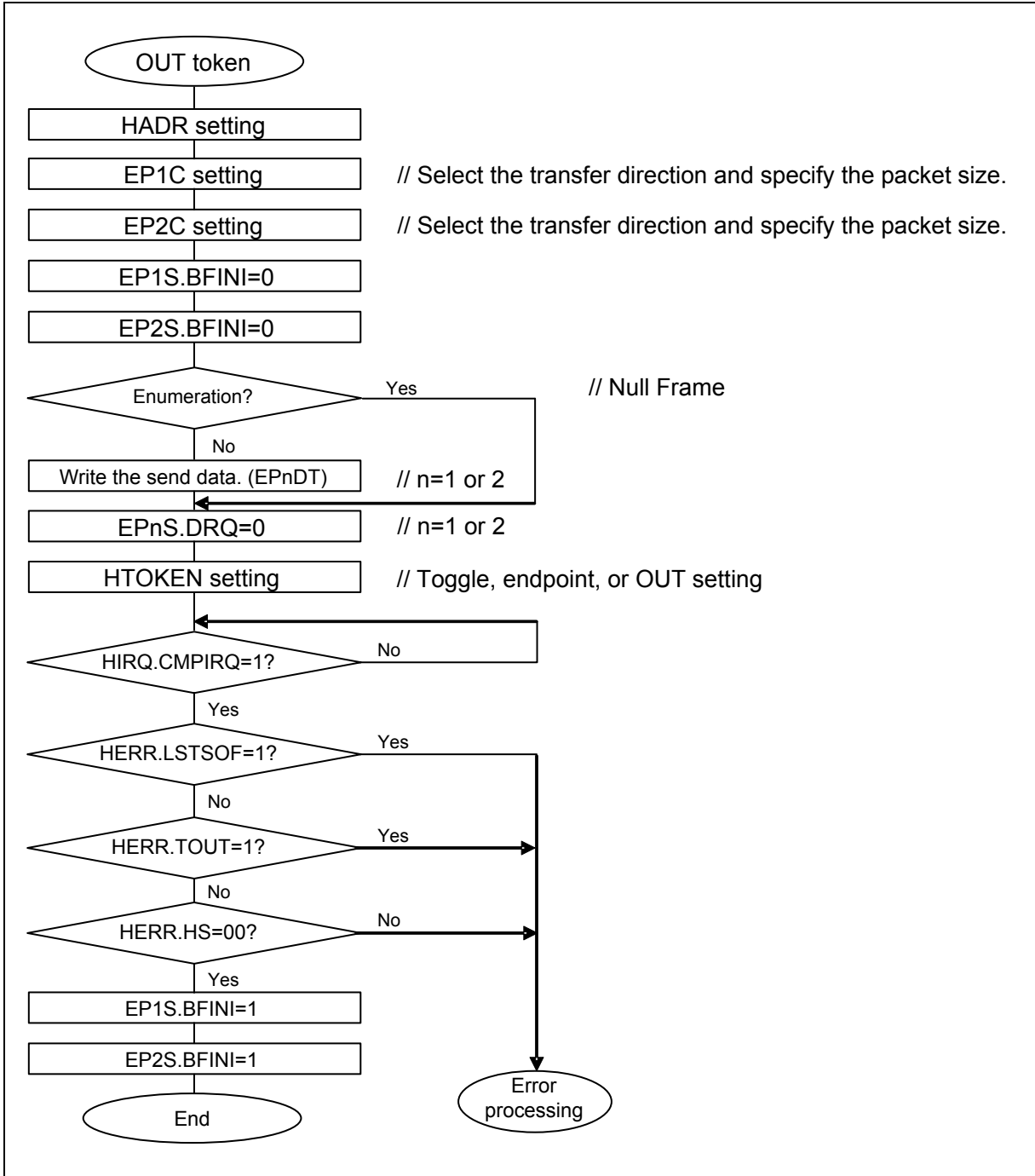


■ IN, OUT, or SETUP token

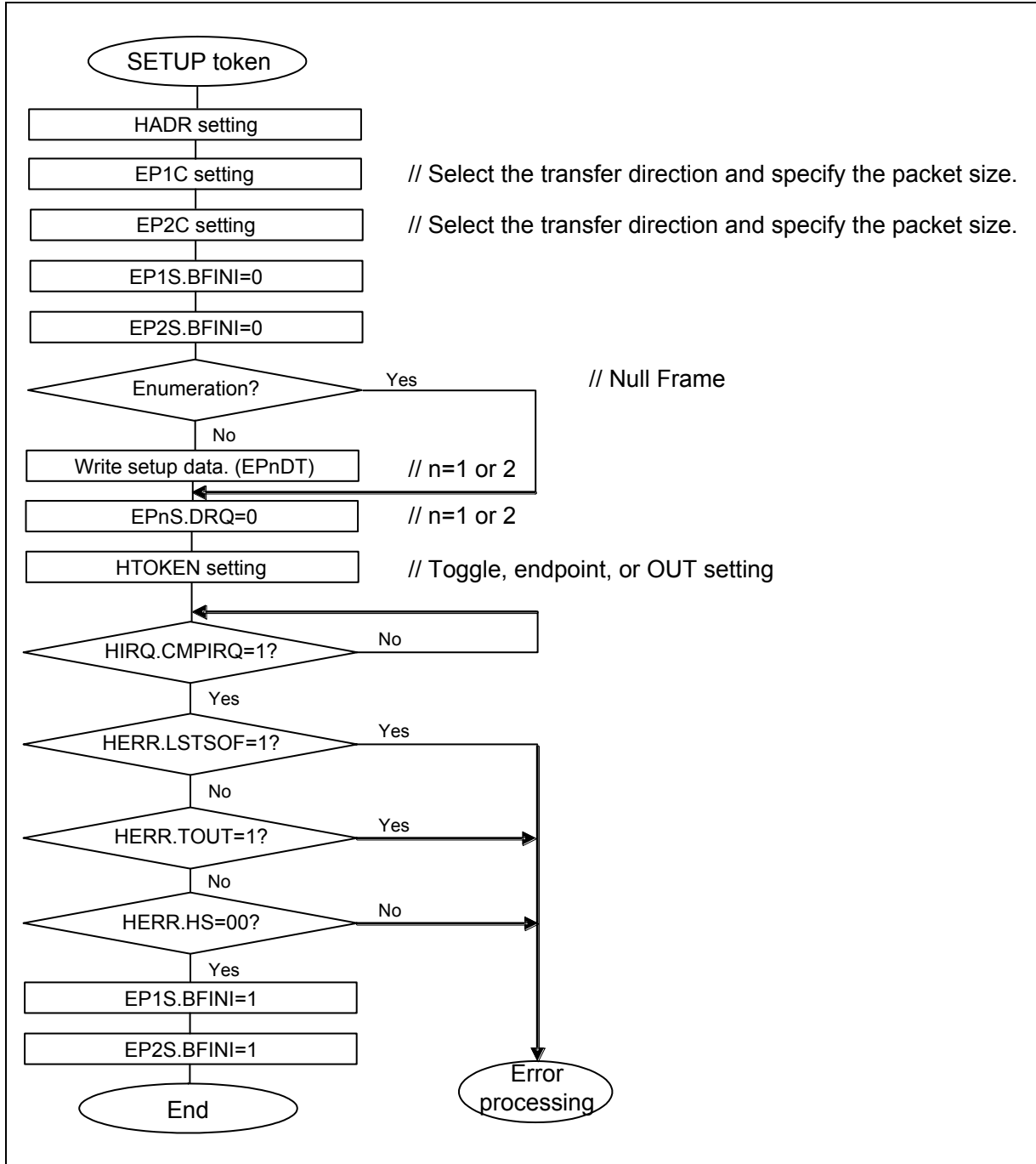
● IN token



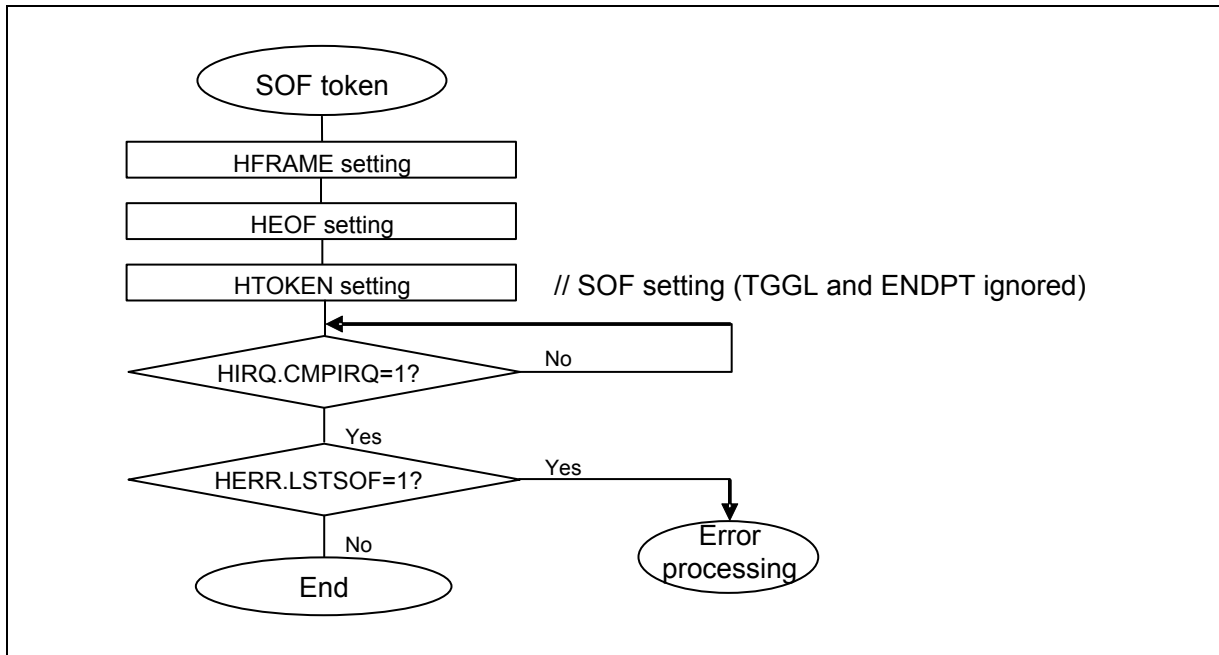
● OUT token



● **SETUP token**



■ SOF token



5. USB host registers

This section explains the configurations and functions of the registers used for the USB host.

■ List of USB host registers

Abbreviation	Register name	Reference
UDCC	UDC Control Register	*
EP1C	EP1 Control Register	*
EP2C	EP2 Control Register	*
EP1S	EP1 Status Register	*
EP2S	EP2 Status Register	*
EP1DTH	EP0 Data Register high-order	*
EP1DTL	EP0 Data Register low-order	*
EP2DTH	EP0 Data Register high-order	*
EP2DTL	EP0 Data Register low-order	*
HCNT0	Host Control Register 0	5.1
HCNT1	Host Control Register 1	
HIRQ	Host Interrupt Register	5.2
HERR	Host Error Status Register	5.3
HSTATE	Host Status Register	5.4
HFCOMP	SOF Interrupt Frame Compare Register	5.5
HRTIMER	Retry Timer Setup Register	5.6
HADR	Host Address Register	5.7
HEOF	EOF Setup Register	5.8
HFRAME	Frame Setup Register	5.9
HTOKEN	Host Token Endpoint Register	5.10

* : See chapter "USB Function".

■ UDCC:RST dependent register bit update timing list

	Register	bit
Register bits to be updated when UDCC:RST=1	HCNT0	HOST
	HSTATE	CLKSEL
	EP1C	EPEN, TYPE, DIR, PKS1
	EP2C	EPEN, TYPE, DIR, PKS2
Register bits initialized when UDCC:RST=1 (Update when UDCC:RST=0)	HCNT0	URST
	HIRQ	TCAN, RWKIRQ, URIRQ, CMPIRQ, CNNIRQ, DIRQ, SOFIRQ
	HERR (All bits)	LSTSOFF, RERR, TOUT, CRC, TGERR, STUFF, HS
	HSTATE	SOFBUSY, SUSP
	HFRAME	FRAME0, FRAME1
	HTOKEN (All bits)	TGGL, TKNEN, ENDPT
	EP1S	BFINI, DRQ, SPK
	EP2S	BFINI, DRQ, SPK
Register bits unaffected by UDCC:RST	HCNT0	RWKIRE, URIRE, CMPIRE, CNNIRE, DIRE, SOFIRE
	HCNT1	SOFSTEP, CANCEL, RETRY
	HIRQ	CNNIRQ, DIRQ
	HFCOMP	HFRAMECOMP
	HSTATE	TMODE, CSTAT
	HRTIMER0, 1, 2	RTIMER0, 1, 2
	HADR	Address
	HEOF	EOF0, 1

5.1. Host Control Registers 0 and 1 (HCNT0 and HCNT1)

Host Control Registers 0 and 1 (HCNT0 and HCNT1) are used to specify the USB operation mode and interrupt.

■ Host Control Register 1 (HCNT1)

bit	15	14	13	12	11	10	9	8
Field	Reserved	Reserved	Reserved	Reserved	Reserved	SOFSTEP	CANCEL	RETRY
Attribute	R/W	R/W	R/W	R/W	R/W	R/W	R/W	R/W
Initial value	0	0	0	0	0	0	0	1
Reset enabled or not*	x	x	x	x	x	x	x	x

* : Enables or disables a reset with the RST bit of UDCC. x: Not to be reset. O: To be reset.

■ Host Control Register 0 (HCNT0)

bit	7	6	5	4	3	2	1	0
Field	RWKIRE	URIRE	CMPIRE	CNNIRE	DIRE	SOFIRE	URST	HOST
Attribute	R/W	R/W	R/W	R/W	R/W	R/W	R/W	R/W
Initial value	0	0	0	0	0	0	0	0
Reset enabled or not*	x	x	x	x	x	x	O	x

* : Enables or disables a reset with the RST bit of UDCC. x: Not to be reset. O: To be reset.

[bit15:11] Reserved: Reserved bits
Always set it to "0".

[bit10] SOFSTEP (SOF STEP) SOF interrupt occurrence selection bit
This is a SOF interrupt occurrence selection bit.

If this bit is set to "1", the SOF interrupt flag (HIRQ:SOFIRQ) is set to "1" each time SOF is sent.

If this bit is set to "0", the set value of the SOF Interrupt Frame Compare Register (HFCOMP) is compared with the low-order eight bits of the SOF frame number. If they match, the SOF interrupt flag (HIRQ:SOFIRQ) is set to "1".

bit	Description
0	An interrupt occurred due to the HFCOMP setting.
1	An interrupt occurred.

<Notes>

- If a SOF token (TKNEN="001") is sent by the setting of the Host Token Endpoint Register (HTOKEN), the SOF interrupt flag (HIRQ:SOFIRQ) is not set to "1" regardless of the setting of this bit.
- This bit is not initialized even if "1" is set to the RST bit of the UDC Control Register (UDCC).

[bit9] CANCEL (token CANCEL enable) token cancellation enable bit

This is a token cancellation enable bit.

When "1" is set to this bit, if the target token is written to the Host Token Endpoint Register (HTOKEN) in the EOF area (specified in the EOF Setting Register), its sending is canceled. When "0" is set to this bit, token sending is not canceled even if the target token is written to the register. The cancellation of token sending is detected by reading the TCAN bit of the Host Interrupt Register (HIRQ).

bit	Description
0	Continues a token.
1	Cancels a token.

<Note>

This bit is not initialized even if "1" is set to the RST bit of the UDC Control Register (UDCC).

[bit8] RETRY (RETRY enable) retry enable bit

this is a retry enable bit.

If this bit is set to "1", the target token is retried if a NAK or error* occurs. Retry processing is performed during the time that is specified in the Retry Timer Setting Register (HRTIMER).

* : HERR:RERR="1", HERR:TOUT="1", HERR:CRC="1", HERR:TGERR="1", HERR:STUFF="1"

bit	Description
0	Does not retry token sending.
1	Retries token sending.

<Note>

This bit is not initialized even if "1" is set to the RST bit of the UDC Control Register (UDCC).

[bit7] RWKIRE (Remove WaKe up Interrupt Request Enable) resume interrupt enable bit

This is a resume interrupt enable bit.

When "1" is set to this bit, an interrupt occurs if the RWKIRQ bit of the Host Interrupt Register (HIRQ) is set to "1". When "0" is set to this bit, an interrupt does not occur even if the RWIRQ bit of the Host Interrupt Register (HIRQ) is set to "1".

bit	Description
0	Disables an interrupt after restarting.
1	Enables an interrupt after restarting.

<Note>

This bit is not initialized even if "1" is set to the RST bit of the UDC Control Register (UDCC).

[bit6] URIRE (Usb bus Rest Interrupt Request Enable) bus reset interrupt enable bit

This is a bus reset interrupt enable bit.

When "1" is set to this bit, an interrupt occurs if the URIRQ bit of the Host Interrupt Register (HIRQ) is set to "1". When "0" is set to this bit, an interrupt does not occur even if the URIRQ bit of the Host Interrupt Register (HIRQ) is set to "1".

bit	Description
0	Disables an interrupt after resetting the USB bus.
1	Enables an interrupt after resetting the USB bus.

<Note>

This bit is not initialized even if "1" is set to the RST bit of the UDC Control Register (UDCC).

[bit5] CMPIRE (CoMPletion Interrupt Request Enable) token completion interrupt enable bit

This is a token completion interrupt enable bit.

When "1" is set to this bit, an interrupt occurs if the CMPIRQ bit of the Host Interrupt Register (HIRQ) is set to "1". When "0" is set to this bit, an interrupt does not occur even if the CMPIRQ bit of the Host Interrupt Register (HIRQ) is set to "1".

bit	Description
0	Disables an interrupt at completion.
1	Enables an interrupt at completion.

<Note>

This bit is not initialized even if "1" is set to the RST bit of the UDC Control Register (UDCC).

[bit4] CNNIRE (CoNNection Interrupt Request Enable) device connection detection interrupt enable bit

This is a device connection detection interrupt enable bit.

When "1" is set to this bit, an interrupt occurs if the CNNIRQ bit of the Host Interrupt Register (HIRQ) is set to "1". When "0" is set to this bit, an interrupt does not occur even if the CNNIRQ bit of the Host Interrupt Register (HIRQ) is set to "1".

bit	Description
0	Disables an interrupt at device connection.
1	Enables an interrupt at device connection.

<Note>

This bit is not initialized even if "1" is set to the RST bit of the UDC Control Register (UDCC).

[bit3] DIRE (Disconnection Interrupt Request Enable) device disconnection detection interrupt enable bit

This is a device disconnection detection interrupt enable bit.

When "1" is set to this bit, an interrupt occurs if the DIRQ bit of the Host Interrupt Register (HIRQ) is set to "1". When "0" is set to this bit, an interrupt does not occur even if the DIRQ bit of the Host Interrupt Register (HIRQ) is set to "1".

bit	Description
0	Disables an interrupt at device disconnection.
1	Enables an interrupt at device disconnection.

<Note>

This bit is not initialized even if "1" is set to the RST bit of the UDC Control Register (UDCC).

[bit2] SOFIRE (Start Of Frame Interrupt Request Enable) SOF interrupt enable bit

This is a SOF interrupt enable bit.

When "1" is set to this bit, an interrupt occurs if the SOFIRQ bit of the Host Interrupt Register (HIRQ) is set to "1". When "0" is set to this bit, an interrupt does not occur even if the SOFIRQ bit of the Host Interrupt Register (HIRQ) is set to "1".

bit	Description
0	Disables an interrupt when sending SOF.
1	Enables an interrupt when sending SOF.

<Note>

This bit is not initialized even if "1" is set to the RST bit of the UDC Control Register (UDCC).

[bit1] URST (Usb bus ReSeT) bus reset bit

This is a bus reset bit.

When "1" is set to this bit, the USB bus is reset. This bit continues to be "1" during USB bus resetting, and changes to "0" when USB bus resetting is ended. If "0" is set to this bit, no processing is performed.

bit	Description
0	Holds the status of the USB bus.
1	Resets the USB bus.

<Notes>

- No processing is performed even if this bit is set to "1" while the RST bit of the UDC Control Register (UDCC) is "1".
- This bit is not allowed to be set to "1" while the SUSP bit of the Host Status Register (HSTATE) is "1" or during token sending.
- The Host Control Register (HCNT0 or HCNT1) is not allowed to be written while this bit is "1".

[bit0] HOST (HOST mode) host mode bit

This is a host mode bit.

When "1" is set to this bit, the USB acts as a host. When "0" is set to this bit, the USB acts as a function.

bit	Description
0	Function mode
1	Host mode

<Notes>

- This bit is not initialized even if "1" is set to the RST bit of the UDC Control Register (UDCC).
- Change the value of this bit while the RST bit of the UDC Control Register (UDCC) is "1".
- The operation mode does not transition to the required one immediately after it was changed using this bit. Read this bit to check that the operation mode has changed.
- Before changing from the host mode to the function mode, check that the following conditions are satisfied and also set "1" to the RST bit of the UDC Control Register (UDCC).
 - The SOFBUSY bit of the Host Status Register (HSTATE) is set to "0".
 - The TKNEN bits of the Host Token Endpoint Register (HTOKEN) are set to "000".
 - The SUSP bit of the Host Status Register (HSTATE) is set to "0".
- Before changing from the function mode to the host mode, set "1" to the HCONX bit of the UDC Control Register (UDCC), and disconnect the host or HUB.

5.2. Host Interrupt Register (HIRQ)

The Host Interrupt Register (HIRQ) indicates the USB host interrupt request flags. A host interrupt can occur by setting the interrupt enable bit of the Host Control Register (HCNT0 or HCNT1), excluding the TCAN bit.

bit	7	6	5	4	3	2	1	0
Field	TCAN	Reserved	RWKIRQ	URIRQ	CMPIRQ	CNNIRQ	DIRQ	SOFIRQ
Attribute	R/W	R/W	R/W	R/W	R/W	R/W	R/W	R/W
Initial value	0	0	0	0	0	0	0	0
Reset enabled or not*	○	○	○	○	○	x	x	○

* : Enables or disables a reset with the RST bit of UDCC. x: Not to be reset. ○: To be reset.

[bit7] TCAN (Token CAncel flag) token cancellation flag

This is a token cancellation flag.

If this bit is set to "1", it means that token sending is canceled based on the setting of the CANCEL bit of Host Control Register 1 (HCNT1). When this bit is "0", it means that token sending is not canceled. If this bit is written with "0", it is set to "0". However, if this bit is written with "1", its value is ignored.

bit	Description
0	Token has not been canceled.
1	Token has been canceled.

<Notes>

- This bit is set to the initial value when "1" is set to the RST bit of the UDC Control Register (UDCC).
- No interrupt occurs even if this bit is set. To cancel this with interrupt processing, check that token sending is canceled during SOF interrupt processing.

[bit6] Reserved: Reserved bit

Always set it to "0".

[bit5] RWKIRQ (Remove WaKe up Interrupt ReQuest) remote Wake-up end flag

This is a remote Wake-up end flag.

If this bit is set to "1", it means that remote Wake-up is ended. When this bit is "0", it has no meaning. If this bit is written with "0", it is set to "0". However, if this bit is written with "1", its value is ignored.

When the RWKIRE bit of Host Control Register 0 (HCNT0) is "1", an interrupt occurs if this bit is set to "1".

bit	Description
0	Issues no interrupt request by restart.
1	Issues an interrupt request by restart.

<Note>

This bit is set to the initial value when "1" is set to the RST bit of the UDC Control Register (UDCC).

[bit4] URIRQ (Usb bus Reset Interrupt ReQuest) bus reset end flag

This is a bus reset end flag.

If this bit is set to "1", it means that USB bus resetting is ended. When this bit is "0", it has no meaning. If this bit is written with "0", it is set to "0". However, if this bit is written with "1", its value is ignored.

When the URIRE bit of Host Control Register 0 (HCNT0) is "1", an interrupt occurs if this bit is set to "1".

bit	Description
0	Issues no interrupt request by USB bus resetting.
1	Issues an interrupt request by USB bus resetting.

<Note>

This bit is set to the initial value when "1" is set to the RST bit of the UDC Control Register (UDCC).

[bit3] CMPIRQ (CoMPletion Interrupt ReQuest) token completion flag

This is a token completion flag.

If this bit is set to "1", it means that a token is completed. When this bit is "0", it has no meaning. If this bit is written with "0", it is set to "0". However, if this bit is written with "1", its value is ignored.

When the CMPIRE bit of Host Control Register 0 (HCNT0) is "1", an interrupt occurs if this bit is set to "1".

bit	Description
0	Issues no interrupt request by token completion.
1	Issues an interrupt request by token completion.

<Notes>

- This bit is set to the initial value when "1" is set to the RST bit of the UDC Control Register (UDCC).
- This bit is not set to "1" even if the TCAN bit of the Host Interrupt Register (HIRQ) changes to "1".

[bit2] CNNIRQ (CoNNection Interrupt ReQuest) device connection detection flag

This is a device connection detection flag.

If this bit is set to "1", it means that a device connection is detected. When this bit is "0", it has no meaning. If this bit is written with "0", it is set to "0". However, if this bit is written with "1", its value is ignored.

When the CNNIRE bit of Host Control Register 0 (HCNT0) is "1", an interrupt occurs if this bit is set to "1".

bit	Description
0	Issues no interrupt request by detecting a device connection.
1	Issues an interrupt request by detecting a device connection.

<Notes>

- This bit is set to the initial value when "1" is set to the RST bit of the UDC Control Register (UDCC).
- A device connection is also detected in the function mode.

[bit1] DIRQ (Disconnection Interrupt ReQuest) device disconnection detection flag

This is a device disconnection detection flag.

If this bit is set to "1", it means that a device disconnection is detected. When this bit is "0", it has no meaning. If this bit is written with "0", it is set to "0". However, if this bit is written with "1", its value is ignored.

When the DIRE bit of Host Control Register 0 (HCNT0) is "1", an interrupt occurs if this bit is set to "1".

bit	Description
0	Issues no interrupt request by detecting a device disconnection.
1	Issues an interrupt request by detecting a device disconnection.

<Notes>

- This bit is set to the initial value when "1" is set to the RST bit of the UDC Control Register (UDCC).
- A device disconnection is also detected in the function mode.

[bit0] SOFIRQ (Start Of Frame Interrupt ReQuest) SOF starting flag

This is a SOF starting flag.

If this bit is set to "1", it means that SOF token sending is started. When this bit is "0", it has no meaning. If this bit is written with "0", it is set to "0". However, if this bit is written with "1", its value is ignored.

When the SOFIRE bit of Host Control Register 0 (HCNT0) is "1", an interrupt occurs if this bit is set to "1".

bit	Description
0	Issues no interrupt request by starting a SOF token.
1	Issues an interrupt request by starting a SOF token.

<Note>

This bit is set to the initial value when "1" is set to the RST bit of the UDC Control Register (UDCC).

5.3. Host Error Status Register (HERR)

The Host Error Status Register (HERR) indicates whether or not an error occurs while sending or receiving data in the host mode.

bit	15	14	13	12	11	10	9	8
Field	LSTSOF	RERR	TOUT	CRC	TGERR	STUFF		HS
Attribute	R/W	R/W	R/W	R/W	R/W	R/W		R/W
Initial value	0	0	0	0	0	0		11
Reset enabled or not*	○	○	○	○	○	○		○

* : Enables or disables a reset with the RST bit of UDCC. x: Not to be reset. ○: To be reset.

[bit15] LSTSOF (LoST SOF) lost SOF flag

This is a lost SOF flag.

If this bit is set to "1", it means that the SOF token could not be sent in the host mode because other token is in process. When this bit is "0", it means that no lost SOF error is detected. If this bit is written with "0", it is set to "0". However, if this bit is written with "1", its value is ignored.

bit	Description
0	SOF has been sent.
1	SOF sending error

<Note>

This bit is set to the initial value when "1" is set to the RST bit of the UDC Control Register (UDCC).

[bit14] RERR (Receive Error) receive error flag

This is a receive error flag.

When this bit is set to "1", it means that the received data exceeds the specified maximum number of packets in the host mode. If a receive error is detected, bit13 (TOUT) of this register is also set to "1". When this bit is "0", it means that no error occurs. If this bit is written with "0", it is set to "0". However, if this bit is written with "1", its value is ignored.

bit	Description
0	No receive error has occurred.
1	Maximum packet receive error has occurred.

<Note>

This bit is set to the initial value when "1" is set to the RST bit of the UDC Control Register (UDCC).

[bit13] TOUT (Time OUT) timeout flag

This is a timeout flag.

If this bit is set to "1", it means that no response is returned to a token from the device within the specified time after the token has been sent in host mode. When this bit is "0", it means that no timeout is detected. When this bit is "0", it means that no error occurs. If this bit is written with "0", it is set to "0". However, if this bit is written with "1", its value is ignored.

bit	Description
0	No timeout has occurred.
1	Timeout has occurred.

<Note>

This bit is set to the initial value when "1" is set to the RST bit of the UDC Control Register (UDCC).

[bit12] CRC (CRC error) CRC error flag

This is a CRC error flag.

If this bit is set to "1", it means that a CRC error is detected in the host mode. When this bit is "0", it means that no CRC error is detected. If a CRC error is detected, bit13 (TOUT) of this register is also set to "1". When this bit is "0", it means that no CRC error is detected. If this bit is written with "0", it is set to "0". However, if this bit is written with "1", its value is ignored.

bit	Description
0	No CRC error has occurred.
1	CRC error has occurred.

<Note>

This bit is set to the initial value when "1" is set to the RST bit of the UDC Control Register (UDCC).

[bit11] TGERR (ToGgle ERRor) toggle error flag

This is a toggle error flag.

If this bit is set to "1", it means that the data of this bit does not match the value of the received toggle data. When this bit is "0", it means that no toggle error is detected. If this bit is written with "0", it is set to "0". However, if this bit is written with "1", its value is ignored.

bit	Description
0	No toggle error has occurred.
1	Toggle error has occurred.

<Note>

This bit is set to the initial value when "1" is set to the RST bit of the UDC Control Register (UDCC).

[bit10] STUFF (STUFFing error) stuffing error flag

This is a stuffing error flag.

If this bit is set to "1", it means that a bit stuffing error is detected. When this bit is "0", it means that no stuffing error is detected. If a stuffing error is detected, bit13 (TOUT) of this register is also set to "1". If this bit is written with "0", it is set to "0". However, if this bit is written with "1", its value is ignored.

bit	Description
0	No stuffing error has occurred.
1	Stuffing error has occurred.

<Note>

This bit is set to the initial value when "1" is set to the RST bit of the UDC Control Register (UDCC).

[bit9:8] HS (Hand Shake status) handshake status flags

These are handshake status flags.

These flags indicate the status of a handshake packet to be sent or received.

These flags are set to "NULL" when no handshake occurs due to an error or when a SOF token has been ended with the TKNEN bits of the Host Token Endpoint Register (HTOKEN).

These bits are updated when sending or receiving has been ended.

Table 5-1 Handshake

bit9	bit8	Handshake
0	0	ACK
0	1	NAK
1	0	STALL
1	1	NULL

<Note>

This bit is set to the initial value when "1" is set to the RST bit of the UDC Control Register (UDCC).

5.4. Host Status Register (HSTATE)

The Host Status Register (HSTATE) indicates the state of the USB circuit such as a device connection or transfer mode. Note that the setting of the CLKSEL bit is also effective in the function mode.

bit	7	6	5	4	3	2	1	0
Field	Reserved	Reserved	ALIVE	CLKSEL	SOFBUSY	SUSP	TMODE	CSTAT
Attribute	-	-	R/W	R/W	R/W	R/W	R	R
Initial value	X	X	0	1	0	0	1	0
Reset enabled or not*	-	-	x	x	○	○	x	x

* : Enables or disables a reset with the RST bit of UDCC. x: Not to be reset. ○: To be reset.

[bit7:6] Reserved: Reserved bits

The values of these bits are undefined in read mode. Even if "0" or "1" is written to these bits, it has no effect on LSI operations.

[bit5] ALIVE (keep-ALIVE)

This bit is used to specify the keep-alive function in the low-speed mode. If this bit is set to "1" while the CLKSEL bit of the Host Status Register (HSTATE) is "0", SE0 is output instead of SOF. This bit is effective when the CLKSEL bit of the Host Status Register (HSTATE) is "0". If the CLKSEL bit is "1", SOF is output regardless of the setting of the ALIVE bit.

bit	Description
0	SOF output
1	SE0 output (Keep-alive)

[bit4] CLKSEL (CLOCK SElect) USB operation clock selection bit

This is a USB operation clock selection bit.

bit	Description
0	Low-speed clock
1	Full-speed clock

<Notes>

- This bit is not initialized even if "1" is set to the RST bit of the UDC Control Register (UDCC).
- Change the value of this bit while the RST bit of the UDC Control Register (UDCC) is "1".
- This bit must always be set to "1". It must not be set to "0".
- Use the on-chip bus (HCLK) clock with 13 MHz or more.

[bit3] SOFBUSY (SOF BUSY) SOF busy flag

This is a SOF busy flag.

When a SOF token is sent using the Host Token Endpoint Register (HTOKEN), this bit is set to "1", which means that the SOF timer is active. When this bit is "0", it means that the SOF timer is under suspension. To stop the active SOF timer, write "0" to this bit. However, if this bit is written with "1", its value is ignored.

bit	Description
0	The SOF timer is stopped.
1	The SOF timer is active.

<Notes>

- This bit is set to the initial value when "1" is set to the RST bit of the UDC Control Register (UDCC).
- The SOF timer does not stop immediately after "0" has been set to this bit to stop the SOF timer. To check whether or not the SOF timer is stopped, read this bit.

[bit2] SUSP (SUSPend) suspend setting bit

This is a suspend setting bit.

If this bit is set to "1", the USB circuit is placed into the suspend state. If this bit is set to "0" while it is "1" or the USB bus is placed into the k-state mode, the suspend state is released, and the RWIRQ bit of the Host Interrupt Register (HIRQ) is set to "1".

Table 5-2 Suspend setting

bit	Operation
Set to "1".	Suspend
Set "0" while this bit is "1".	Resume
Others	Holds the state.

<Notes>

- This bit is set to the initial value when "1" is set to the RST bit of the UDC Control Register (UDCC).
- Do not set this bit to "1" while the USB is active (during USB bus resetting, data transfer, or SOF timer running).
- USB clock must not be stopped in the suspend state.
- If the value of this bit is changed, it is not immediately reflected on the state of the USB bus. To check whether or not the state is updated, read this bit.

[bit1] TMODE (Transmission MODE) transmission mode flag

This is a transmission mode flag.

If this bit is "1", it means that the device is connected in the full-speed mode. When this bit is "0", it means that the device is connected in the low-speed mode. This bit is valid when the CSTAT bit of the Host Status Register (HSTATE) is "1".

bit	Description
0	Low Speed
1	Full Speed

<Notes>

- This bit is not initialized even if "1" is set to the RST bit of the UDC Control Register (UDCC).
- Use the base clock (HCLK) with 13 MHz or more.

[bit0] CSTAT (Connect STATus) connection status flag

This is a connection status flag.

When this bit is "1", it means that the device is connected. When this bit is "0", it means that the device is disconnected.

bit	Description
0	Device is disconnected.
1	Device is connected.

<Note>

This bit is not initialized even if "1" is set to the RST bit of the UDC Control Register (UDCC).

5.5. SOF Interrupt Frame Compare Register (HFCOMP)

The SOF Interrupt Frame Compare Register (HFCOMP) is used to specify the data to be compared with the low-order eight bits of a frame number when sending a SOF token. When the SOFSTEP bit of Host Control Register 0 (HCNT0) is "0", the value of this register is compared with that of the low-order eight bits of a frame number. If they match, the SOFIRQ bit of the Host interrupt Register (HIRQ) is set to "1" when starting SOF sending. When the SOFIRE bit of Host Control Register 0 (HCNT0) is "1", an interrupt occurs.

bit	15	14	13	12	11	10	9	8
Field	FRAMECOMP							
Attribute	R/W							
Initial value	00000000							
Reset enabled or not*	x							

* : Enables or disables a reset with the RST bit of UDCC. x: Not to be reset. O: To be reset.

[bit15:8] FRAMECOMP : frame compare data

These are frame compare data.

These bits are used to specify the data to be compared with the low-order eight bits of a frame number when sending a SOF token.

If the SOFSTEP bit of Host Control Register 0 (HCNT0) is "0", the frame number of SOF is compared with the value of this register when sending a SOF token. If they match, "1" is set to the SOFIRQ bit of the Host Interrupt Register (HIRQ).

The setting of this register is invalid when the SOFSTEP bit of Host Control Register 0 (HCNT0) is "0".

<Note>

This bit is not initialized even if "1" is set to the RST bit of the UDC Control Register (UDCC).

5.6. Retry Timer Setup Register (HRTIMER)

The Retry Timer Setup Register (HRTIMER) is used to specify the token retry time.

bit	15	14	13	12	11	10	9	8
Field	RTIMER1							
Attribute	R/W							
Initial value	00000000							
Reset enabled or not*	x							

* : Enables or disables a reset with the RST bit of UDCC. x: Not to be reset. O: To be reset.

bit	7	6	5	4	3	2	1	0
Field	RTIMER0							
Attribute	R/W							
Initial value	00000000							
Reset enabled or not*	x							

* : Enables or disables a reset with the RST bit of UDCC. x: Not to be reset. O: To be reset.

bit	7(23)	6(22)	5(21)	4(20)	3(19)	2(18)	1(17)	0(16)
Field	Reserved						RTIMER2	
Attribute	-						R/W	
Initial value	X						00	
Reset enabled or not*	-						x	

* : Enables or disables a reset with the RST bit of UDCC. x: Not to be reset. O: To be reset.

[bit23:18] Reserved: Reserved bits

The values of these bits are undefined in read mode. Even if "0" or "1" is written to these bits, it has no effect on LSI operations.

[bit17:0] HRTIMER0, 1, 2 : Retry timer setting bits

These are retry timer setting bits.

These bits are used to specify the retry time in this register. The retry timer is activated when token sending starts while the RETRY bit of Host Control Register 1 (HCNT1) is "1". The retry time is then decremented by one when a 1-bit transfer clock (12 MHz in the full-speed mode) is output. When the retry timer reaches "0", the target token is sent, and processing is ended.

If a token retry occurs in the EOF area, the retry timer is stopped until SOF sending is ended. After SOF sending has been completed, the retry timer restarts with the value that is set when the timer stopped.

<Notes>

- This bit is not initialized even if "1" is set to the RST bit of the UDC Control Register (UDCC). If data is written while the RST bit of the UDC Control Register (UDCC) is "1", the written data is ignored.
- Write this register in the host mode. bit15 to bit0 of this register are set to "0" in the function mode. Even if data is written to bit15 to bit0 of this register, it is ignored.

5.7. Host Address Register (HADR)

The Host Address Register (HADR) is used as an address field to send a token.

bit	15	14	13	12	11	10	9	8
Field	Reserved	Address						
Attribute	-	R/W						
Initial value	X	0000000						
Reset enabled or not*	-	x						

* : Enables or disables a reset with the RST bit of UDCC. x: Not to be reset. ○: To be reset.

[bit15] Reserved: Reserved bit

The values of this bit is undefined in read mode. Even if "0" or "1" is written to this bit, it has no effect on LSI operations.

[bit14:8] Address : address bits

These are address bits.
These bits are used to specify a token address.

<Note>

This bit is not initialized even if "1" is set to the RST bit of the UDC Control Register (UDCC).

5.8. EOF Setup Register (HEOF)

The EOF Setup Register (HEOF) is used to specify the token disable time before sending a SOF token. If both the following conditions are satisfied, a request token is sent after a SOF token has been transferred.

- When the value of the SOF timer is compared with that of this register, it is less than the value of this register.
- An IN, OUT, or SETUP token sending request has been issued.

This is a function to prevent a SOF token generated by hardware from being sent together with other tokens. The time unit of this register is the 1-bit transfer time.

bit	15	14	13	12	11	10	9	8
Field	Reserved				EOF1			
Attribute	-				R/W			
Initial value	X				000000			
Reset enabled or not*	-				x			

* : Enables or disables a reset with the RST bit of UDCC. x: Not to be reset. O: To be reset.

bit	7	6	5	4	3	2	1	0
Field	EOF0							
Attribute	R/W							
Initial value	00000000							
Reset enabled or not*	x							

* : Enables or disables a reset with the RST bit of UDCC. x: Not to be reset. O: To be reset.

[bit15:14] Reserved: Reserved bits

The values of these bits are undefined in read mode. Even if "0" or "1" is written to these bits, it has no effect on LSI operations.

[bit13:0] EOF1, EOF0 (End Of Frame) : EOF bits

These are EOF bits.

These bits are used to specify the time to disable token sending before transferring SOF. Specify the time with a margin, which is longer than the one-packet length. The time unit is the 1-bit transfer time.

Setting example: MAXPKT = 64 bytes, full-speed mode

$$\begin{aligned}
 & (\text{Token_length} + \text{packet_length} + \text{header} + \text{CRC}) \times 7/6 + \text{Turn_around_time} \\
 & = (34 \text{ bit} + 546 \text{ bit}) \times 7/6 + 36 \text{ bit} = 712.7 \text{ bit}
 \end{aligned}$$

Therefore, set "0x2C9".

<Note>

This bit is not initialized even if "1" is set to the RST bit of the UDC Control Register (UDCC).

5.9. Frame Setup Register (HFRAME)

The Frame Setup Register (HFRAME) is used to specify a frame number when sending a SOF token. If SOF sending is set to the TKNEN bit of the Host Token Endpoint Register (HTOKEN), the SOF timer is activated. After this, SOF is sent automatically every 1 ms. The Frame Setup Register is automatically incremented by one each time SOF is ended.

bit	15	14	13	12	11	10	9	8
Field	Reserved						FRAME1	
Attribute							R/W	
Initial value							000	
Reset enabled or not*							○	

* : Enables or disables a reset with the RST bit of UDCC. x: Not to be reset. ○: To be reset.

bit	7	6	5	4	3	2	1	0
Field	FRAME0							
Attribute	R/W							
Initial value	00000000							
Reset enabled or not*	○							

* : Enables or disables a reset with the RST bit of UDCC. x: Not to be reset. ○: To be reset.

[bit15:11] Reserved: Reserved bits

The values of these bits are undefined in read mode. Even if "0" or "1" is written to these bits, it has no effect on LSI operations.

[bit10:0] FRAME1, FRAME0 : frame setting bits

These are frame setting bits.

These bits are used to specify a frame number of SOF.

<Notes>

- This bit is set to the initial value when "1" is set to the RST bit of the UDC Control Register (UDCC).
- Specify a frame number in this register before setting SOF in the TKNEN bit of the Host Token Endpoint Register (HTOKEN).
- This register is not allowed to be written while the SOFBUSY bit of the Host Status Register (HSTATE) is "1" and a SOF token is in process.

5.10. Host Token Endpoint Register (HTOKEN)

The Host Token Endpoint Register (HTOKEN) is used to specify toggle, endpoint, and token.

bit	7	6	5	4	3	2	1	0
Field	TGGL	TKNEN			ENDPT			
Attribute	R/W	R/W			R/W			
Initial value	0	000			0000			
Reset enabled or not*	○	○			○			

* : Enables or disables a reset with the RST bit of UDCC. x: Not to be reset. ○: To be reset.

[bit7] TGGL (ToGGLe) toggle bit

This is a toggle bit.

This bit is used to set toggle data. Toggle data is sent depending on the setting of this bit. When receiving toggle data, received toggle data is compared with the toggle data indicated by this bit to verify whether or not an error occurs.

bit	Description
0	DATA0
1	DATA1

<Notes>

- This bit is set to the initial value when "1" is set to the RST bit of the UDC Control Register (UDCC).
- Set this bit when the TKNEN bits of the Host Token Endpoint Register (HTOKEN) are "000".

[bit6:4] TKNEN (ToKeN ENable) token enable bits

These are token enable bits.

These bits send a token according to the settings. After operation has been ended, the TKNEN bits are set to "000", and the CMPIRQ bit of the Host Interrupt Register (HIRQ) is set to "1". If the CMPIRE bit of Host Control Register 0 (HCNT0) is "1", an interrupt occurs.

The settings of the TGGL and ENDPT bits are ignored when sending a SOF token.

Table 5-3 Token setting

bit6	bit5	bit4	Operation
0	0	0	Sends no data.
0	0	1	Sends SETUP token.
0	1	0	Sends IN token.
0	1	1	Sends OUT token.
1	0	0	Sends SOF token.
1	0	1	Sends Isochronous IN.
1	1	0	Sends Isochronous OUT.
1	1	1	Reserved (Setting disabled)

<Notes>

- This bit is set to the initial value when "1" is set to the RST bit of the UDC Control Register (UDCC).
- The PRE packet is not supported.
- Do not set "100" to the TKNEN bit when the SOFBUSY bit of the Host Status Register (HSTATE) is "1".
- Change the USB to the host mode before writing data to this bit.
- When issuing a token again after the token interrupt flag (CMPIRQ) has been set to "1", wait for 3 cycles or more after a USB transfer clock (12 MHz in the full-speed mode, 1.5 MHz in the low-speed mode) was output, then write data to this bit.
- When the device is disconnected (CSTAT of HSTATE = "0"), token sending is not performed even if data is written to this bit.

[bit3:0] ENDPT (ENDPoinT) endpoint bits

These are endpoint bits.

These bits are used to specify an endpoint to send or receive data to or from the device.

<Note>

This bit is initialized when "1" is set to the RST bit of the UDC Control Register (UDCC).

CHAPTER: CAN Prescaler

This chapter explains the CAN prescaler.

1. Overview and configuration
2. CAN Prescaler Register

1. Overview and configuration

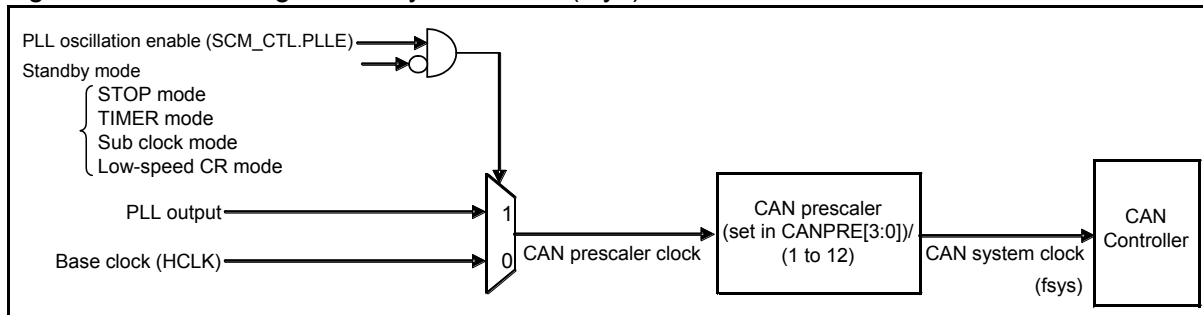
The CAN prescaler generates a CAN system clock (fsys) and supplies it to the CAN.

The CAN prescaler divides a CAN prescaler clock by 1 to 12, and supplies it to the CAN as a CAN system clock (fsys).

Figure 1-1 shows the block diagram of the CAN prescaler.

■ CAN block diagram

Figure 1-1 Generating a CAN system clock (fsys)



■ Explanation of Operations

The CAN prescaler selects the following as a CAN prescaler clock, and supplies it to the CAN after frequency dividing.

- For PLL: PLL output
- For others (including Standby mode in Figure 1-1): Base clock (HCLK)

2. CAN Prescaler Register

This chapter describes the CAN Prescaler Register.

Abbreviation	Register name	Reference
CANPRE	CAN Prescaler Register	2.1

2.1. CAN Prescaler Register (CANPRE)

The CAN Prescaler Register is used to configure the CAN system clock (fsys) generation prescaler.

■ Register configuration

bit	7	6	5	4	3	2	1	0
Field	Reserved	Reserved			CANPRE			
Attribute	-	-			R/W			
Initial value	0	000			1011			

■ Register functions

[bit7] Reserved: Reserved bit

Be sure to write "0".

[bit6:4] Reserved: Reserved bits

Logical 0 is always read. In the write mode, set "0".

[bit3:0] CANPRE: CAN prescaler setting bits

These bits are used to specify a divided CAN prescaler. The divided clock is supplied as CAN system clock to CAN macro.

bit3:0	Description
0000	CAN prescaler clock is not divided.
0001	CAN prescaler clock is divided to 1/2.
001x	CAN prescaler clock is divided to 1/4.
01xx	CAN prescaler clock is divided to 1/8.
1000	CAN prescaler clock is divided to 2/3. The clock duty is 67%.
1001	CAN prescaler clock is divided to 1/3.
1010	CAN prescaler clock is divided to 1/6.
1011	CAN prescaler clock is divided to 1/12. [Initial value]
110x	CAN prescaler clock is divided to 1/5.
111x	CAN prescaler clock is divided to 1/10.

<Notes>

- Before changing the value of the CAN prescaler setting bit, set the initialization bit (Init) of the CAN Control Register (CTRLR) to "1", and stop all bus operations.
- To use the PLL output as a CAN prescaler clock, set the initialization bit (Init) of the CAN Control Register (CTRLR) to "0" after PLL oscillation has been stabilized.
- Make sure that the CAN system clock output by the CAN prescaler is 16 MHz or less.

CHAPTER: CAN Controller

This chapter explains CAN.

1. Overview
2. Configuration
3. CAN Controller Operations
4. CAN Registers
5. Notes

1. Overview

The CAN controller complies with CAN protocol version 2.0A/B, a standard protocol for serial communication. CAN is widely used in various industrial fields such as automobile and factory automation.

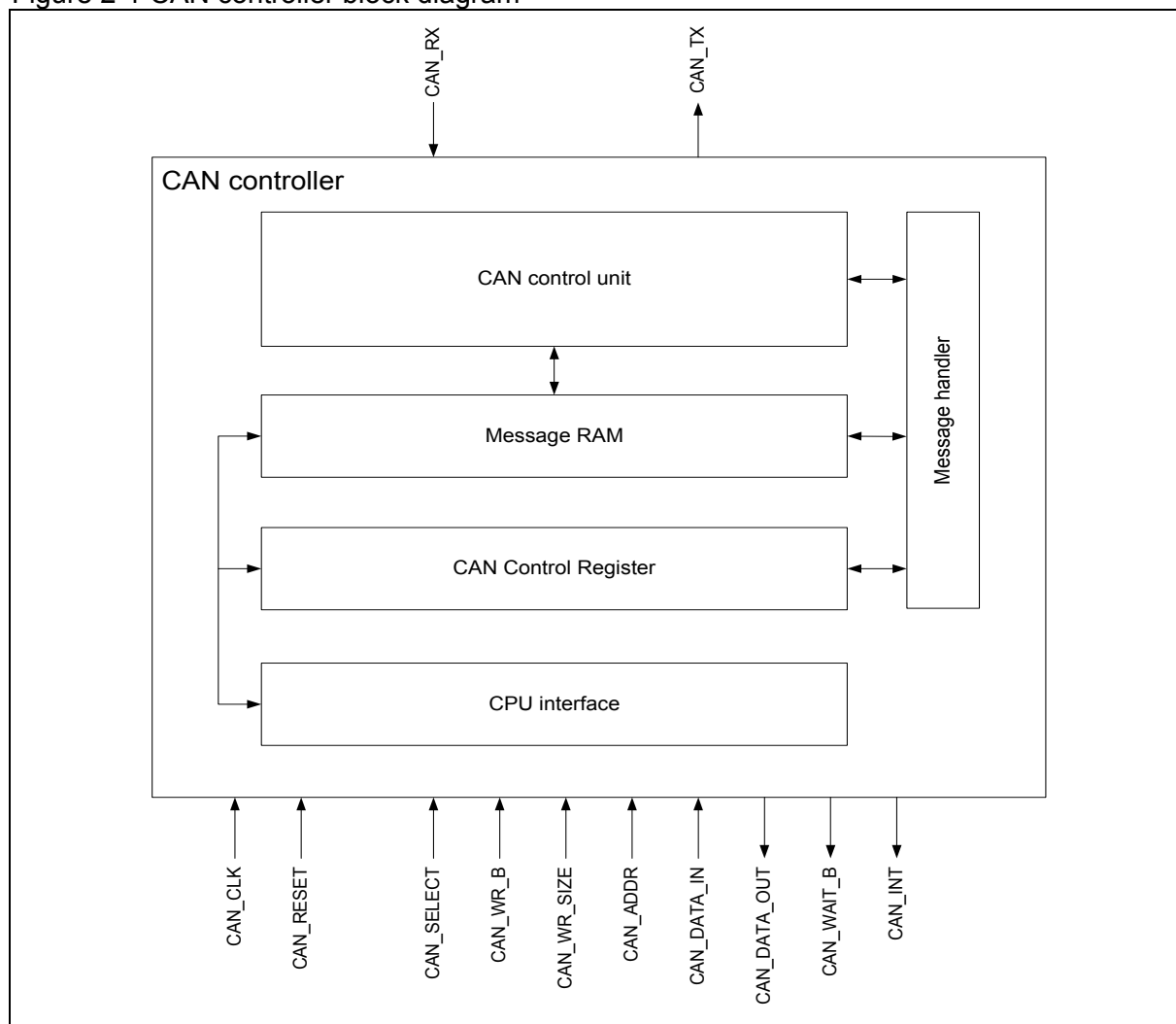
The CAN controller has the following features:

- Supports CAN protocol version 2.0A/B
- Supports a bit rate up to 1 Mbit/s
- Identifier mask for each message object
- Supports programmable FIFO mode
- Maskable interrupt
- Supports 32 message buffers
- Supports programmable loop-back mode for self-test operation
- Read and write from/to the message buffer using interface registers

2. Configuration

Figure 2-1 shows the block diagram of the CAN controller.

Figure 2-1 CAN controller block diagram



- CAN control unit
Controls the CAN protocol and the serial registers for serial/parallel conversion to transfer send/receive messages.
- Message RAM
Stores message objects
- Registers
All registers used by CAN.
- Message handler
Controls the message RAM and CAN control unit.
- CPU interface
Controls the internal bus interface.

3. CAN Controller Operations

This section explains the operations and functions of the CAN controller.

Following functions are included:

- 3.1 Message objects
- 3.2 Message transmission
- 3.3 Message reception
- 3.4 FIFO buffer function
- 3.5 Interrupt function
- 3.6 Bit timing
- 3.7 Test mode
- 3.8 Software initialization

3.1. Message objects

The following explains message objects and the interface of the message RAM.

■ Message objects

The configuration of message objects in the message RAM (excluding the `MsgVal`, `NewDat`, `IntPnd`, and `TxRqst` bits) is not initialized by a hardware reset. Initialize the message objects by the CPU, or set the `MsgVal` bit to disable (`MsgVal = "0"`). Configure the CAN Bit Timing Register (BTR) while the `Init` bit in the CAN Control Register (CTRLR) is "1".

To configure message objects, set the message interface registers (the IFx Mask Register, IFx Arbitration Register, IFx Message Control Register, and IFx Data Register), and then write a message number to the corresponding IFx Command Request Register. By writing the message number, the interface register data will be transferred to the addressed message object.

When the `Init` bit in the CAN Control Register is cleared to "0", the CAN controller starts operation. The received data that have passed acceptance filtering are stored into the message RAM. Messages with pending transmission requests are transferred from the message RAM to the shift register in the CAN controller, and then sent to the CAN bus.

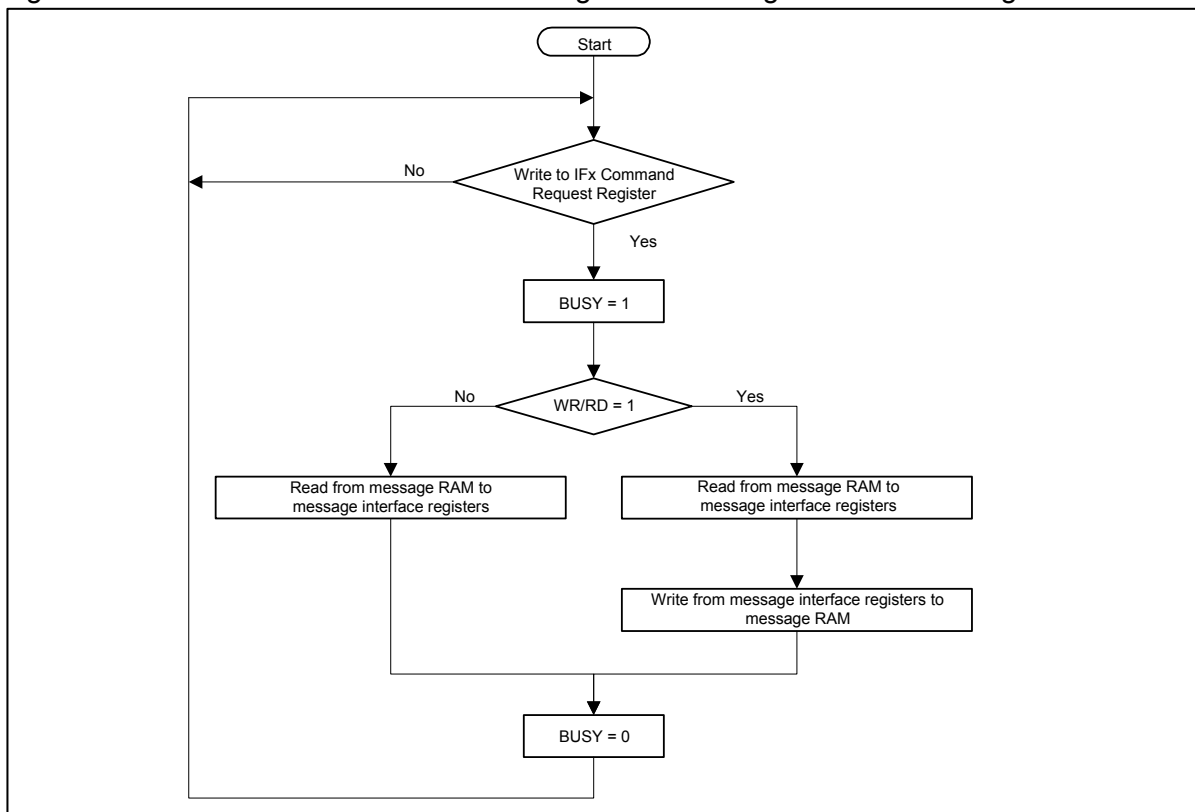
The CPU reads the received messages and updates outgoing messages via message interface registers. The CPU is interrupted according to the configuration of the CAN Control Register and IFx Message Control Register (message object).

■ Data transfer from/to message RAM

When data transfer starts between the message interface registers and message RAM, the `BUSY` bit in the IFx Command Request Register is set to "1". After the transfer has finished, the `BUSY` bit is cleared to "0". (See Figure 3-1)

The IFx Command Register selects whether to transfer complete data or only partial data of one message object. The structure of the message RAM does not allow the writing of single bits/bytes of one message object. The complete data of one message object is always written to the message RAM. Therefore, the data from the message interface registers to the message RAM is transferred in a read-modify-write cycle.

Figure 3-1 Data transfer between the message interface registers and message RAM



3.2. Message transmission

The following explains how to configure the send message objects, and about the transmission.

■ Sending messages

If there is no data transfer between the message interface registers and message RAM, the MsgVal bit in the CAN Message Valid Register and the TxRqst bit in the CAN Transmit Request Register are evaluated. A valid message object with the highest priority of pending transmission requests is transferred to the shift register for transmission. Then the NewDat bit of the message object is reset to "0".

When the transmission has finished successfully, and if there is no new data in the message object (NewDat = "0"), the TxRqst bit is reset to "0". If TxIE is set to "1", then the IntPnd bit is set to "1" after a successful transmission. If the CAN controller lost the arbitration on the CAN bus, or if an error occurred during transmission, the message is resent immediately when the CAN bus becomes idle.

■ Transmission priority

The transmission priority of the message objects is determined by the message number. Message object 1 has the highest priority, while message object 32 (the largest number of the installed message objects) has the lowest priority. If two or more transmission requests are pending, they are transferred in the order of corresponding message number from smallest to largest.

<Notes>

- In one of the following conditions, the messages may not be sent until any of the events described below occurs.

Conditions :

- (1) A message buffer with the lowest priority is used for transmission.
- (2) The TxRqst bit was previously set to "1", but is set to "0" to abort transmission.
- (3) The TxRqst bit is set to "1" again at the timing of (2).

Events :

- A valid message flows on the CAN bus.
- A transmission request is issued to another message buffer.
- CAN is initialized by the Init bit.

If canceling the transmission is required to suit system operations, execute the following steps.

1. Execute one of the following steps.
 - Do not use a message buffer with the lowest priority as a send message buffer.
 - After aborting the transmission, generate any of the above events.
 2. Set the TxRqst bit to "1" again.
- If the message objects of ID28 to ID0, DLC3 to DLC0, Xtd, and Data7 to Data0 are changed while the TxRqst bit is "1", message objects before and after the change may be mixed for transmission, or the message objects after the change may not be transmitted. Therefore, be sure to change them while the TxRqst bit is "0".
-

■ **Configuring a send message object**

Table 3-1 shows how a send object should be initialized.

Table 3-1 Initialization of a send message object

MsgVal	Arb	Data	Mask	EoB	Dir	NewDat	MsgLst	RxIE	TxIE	IntPnd	RmtEn	TxRqst
1	appl.	appl.	appl.	1	1	0	0	0	appl.	0	appl.	0

The IFx Arbitration Register (ID28 to ID0 and Xtd bit), given by the application, defines the ID and the type of the outgoing message.

If the standard frame (11-bit ID) is set, then ID28 to ID18 are used, and ID17 to ID0 are ignored. If the extended frame (29-bit ID) is set, then ID28 to ID0 are used.

If TxIE bit is set to "1", then the IntPnd bit is set to "1" after a successful transmission of the message object.

If the RmtEn bit is set to "1", the TxRqst bit is set to "1" after receiving the corresponding remote frame, and a data frame is sent automatically.

The data register (DLC3 to DLC0, Data0 to Data7) settings are given by the application.

When UMask is set to "1", the IFx Mask Register (Msk28 to Msk0, UMask, MXtd, and MDir bits) is used to receive remote frames with the IDs grouped by the mask setting, and then enable the transmission (by setting the TxRqst bit to "1"). For details, see Remote Frame in "3.3 Message reception".

<Note>

The Dir bit in the IFx Mask Register must not be mask-enabled.

■ **Updating a send message object**

The CPU can update the data of a send message object via the message interface registers.

The send message object data is written by four bytes of the corresponding IFx data register (in the unit of IFx data register A or IFx data register B). Therefore, the send message object cannot be changed by a single byte.

To update 8-byte data, write 0x0087 to the IFx Command Mask Register, and the message number to the IFx Command Request Register. This concurrently updates the send message object data (of 8-byte) and write "1" to the TxRqst bit.

If both the NewDat and TxRqst bits are set to "1", the NewDat bit is reset to "0" once the transmission is started.

<Notes>

- To update data, update it by four bytes of the IFx Data Register A or IFx Data Register B.
 - If the message objects of ID28 to ID0, DLC3 to DLC0, Xtd, and Data7 to Data0 are changed while the TxRqst bit is "1", message objects before and after the change may be mixed for transmission, or the message objects after the change may not be transmitted. Therefore, be sure to change them while the TxRqst bit is "0".
-

3.3. Message reception

The following explains how to configure the receive message object and about the reception.

■ Acceptance filtering for received messages

When the arbitration and control field (ID + IDE + RTR + DLC) of a message is completely shifted into the shift register of the CAN controller, scanning of the message RAM is started to compare matching with a valid message object.

Then the arbitration field and mask data (including MsgVal, UMask, NewDat, and EoB) are loaded from a message object in the message RAM, and the message object is compared with the arbitration field of the shift register including mask data.

This operation is repeated "until a matching is detected between a message object and the arbitration field of the shift register", or "until the last word of the message RAM is reached." When a matching is detected, scanning of the message RAM is stopped, and the CAN controller processes data depending of the type of the received frame (data frame or remote frame).

■ Reception priority

The reception priority of the message objects is determined by the message number. Message object 1 has the highest priority, while message object 32 (the largest number of the installed message objects) has the lowest priority. If two or more objects are matched in the acceptance filtering, therefore, the object with the smallest message number becomes the receive message object.

■ Data frame reception

The CAN controller transfers the received message from the shift register into the message RAM of the message object matched in the acceptance filtering. The stored data includes all arbitration fields and the data length code as well as data bytes. This is implemented (to keep the ID and the data bytes) even if the IFx Mask Register is set to be masked.

The NewDat bit is set to "1" upon the reception of new data. When the CPU reads the message object, reset the NewDat bit to "0". If the NewDat bit has already been set to "1" upon the reception of a message, the MsgLst is set to "1" indicating that the previous data was lost.

If the RxIE bit has been set to "1", reception of a message buffer causes the IntPnd bit in the CAN Interrupt Pending Register to be set to "1". Then the TxRqst bit of the message object is reset to "0". This is implemented to prevent transmission of a remote frame when the requested data frame is received during the transmission.

■ Remote frame

One of the following three operations is selected when a remote frame is received. The selection depends on how the matching message object is configured.

1. Dir = "1" (Direction = Send), RmtEn = "1", UMask = "1" or "0"
Receives the matched remote frame, sets only the TxRqst of this message object to "1", and automatically replies (sends) data frame to the remote frame. (Message objects other than TxRqst bit remain unchanged.)
2. Dir = "1" (Direction = Send), RmtEn = "0", UMask = "0"
Does not receive an incoming remote frame, even if it matches the message object, and disables the remote frame. (The TxRqst bit of the message object remains unchanged.)
3. Dir = "1" (Direction = Send), RmtEn = "0", UMask = "1"
If an incoming remote frame matches the message object, the TxRqst bit of the message object is reset to "0", and the remote frame is handled as if it were a received data frame. The received arbitration field and control field (ID + IDE + RTR + DLC) are stored into the message object in the message RAM, and the NewDat bit of this message object is set to "1", The data field of the message object remains unchanged.

■ Configuring a receive message object

Table 3-2 shows how a receive message object should be initialized.

Table 3-2 Initialization of a receive message object

MsgVal	Arb	Data	Mask	EoB	Dir	NewDat	MsgLst	RxIE	TxIE	IntPnd	RmtEn	TxRqst
1	appl.	appl.	appl.	1	0	0	0	appl.	0	0	0	0

The IFx Arbitration Register (ID28 to ID0 and Xtd bit) is given by the application. The register defines the ID and the type of a received message, used for the acceptance filtering.

If the standard frame (11-bit ID) is set, then ID28 to ID18 are used, and ID17 to ID0 are ignored. When a standard frame is received, ID17 to ID0 are reset to "0". If the extended frame (29-bit ID) is set, then ID28 to ID0 are used.

When the RxIE has been set to "1", and when a received data frame is stored into the message object, then the IntPnd bit is set to "1".

The data length code (DLC3 to DLC0) is given by the application. When the CAN controller stores the received data frame into the message object, it stores the received data length code and eight bytes data. If the data length code is less than eight, undefined data is written to the remaining bytes of the message object.

When UMask is set to "1", the IFx Mask Register (Msk28 to Msk0, UMask, MXtd, and MDir bits) is used to allow the reception of data frames with the IDs grouped by the mask setting. For details, see Data Frame Reception in "3.3 Message reception".

<Note>

The Dir bit in the IFx Mask Register must not be mask-enabled.

■ Handling a received message

The CPU can read a received message any time via the message interface registers.

The following shows an example of handling a received message. Write "0x007F" to the IFx Command Register, and a message number of the message object to the IFx Command Request Register. This procedure transfers a received message of the specified message number from the message RAM to the message interface registers. Then the NewDat bit and IntPnd bit of the message object can be cleared to "0" according to the configuration of the IFx Command Mask Register.

An incoming message is received if it is matched in the acceptance filtering. If the message object uses a mask for acceptance filtering, the masked data is excluded from the acceptance filtering to determine whether or not the message should be received.

The NewDat bit indicates whether a new message has been received since the last time the message object was read.

The MsgLst bit indicates that the previous received data was lost because the next data is received before the previous data is read from the message object. The MsgLst bit is not automatically reset.

During transmission of a remote frame, if a data frame matched in the acceptance filtering is received, the TxRqst bit is automatically reset to "0".

3.4. FIFO buffer function

The following explains the configuration of a FIFO buffer of the message object and its operations in handling received messages.

■ Configuration of FIFO buffer

The configuration of the receive message object belonging to a FIFO buffer is the same as that of a receive message object except the EoB bit. (See Configuring a Receive Message Object in "3.3 Message reception".)

A FIFO buffer is used by concatenating two or more receive message objects. To store received messages into this FIFO buffer, the ID and the mask settings of the receive message objects must be matched when they are used.

The first receive message object of the FIFO buffer has the lowest message number, i.e., the highest priority. In the last receive message object of the FIFO buffer, set "1" to the EoB bit to indicate that the object is the end of the FIFO buffer block. (Except in the last message object, the EoB bit in each message object that uses the FIFO buffer configuration must be set to "0".)

<Notes>

- Be sure to configure the same settings for the ID and the masks of message objects used in the FIFO buffer.
 - When the FIFO buffer is not used, be sure to set the EoB bit to "1".
-

■ Receiving messages using FIFO buffers

A received message, when it matches the FIFO buffer ID, is stored into the receive message object in the FIFO buffer with the lowest message number.

When a message is stored into the receive message object in the FIFO buffer, the NewDat bit of this receive message object is set to "1". When the NewDat bit is set in receive message object while the EoB bit is set to "0", the receive message object is protected until the last receive message object (with EoB bit = "1") is reached. Meanwhile, the CAN controller does not write to the FIFO buffer.

When both of the following conditions are met, the next incoming message is written to the last message object and therefore overwrites the previous message.

- Valid data is stored into the last FIFO buffer
- The NewDat bit of the receive message object is not written by "0" (to release the write protect)

If "0" is not written to the NewDat bit (to release the write protect) of the receive message object while valid data is stored into the last FIFO buffer, the next incoming message is written to the last message object and overwrites the previous message.

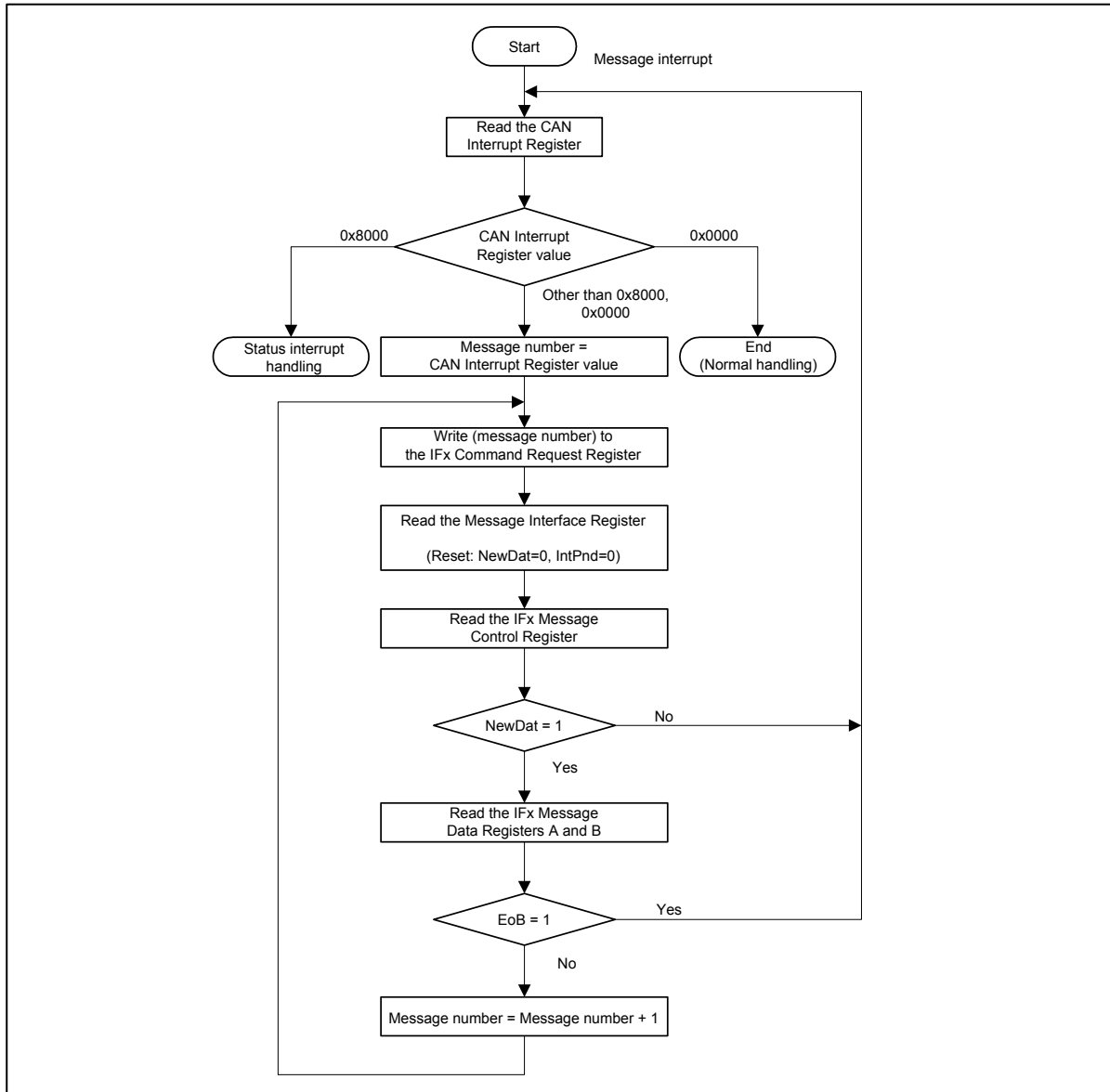
■ Reading from FIFO buffer

To read the contents of a receive message object, the CPU transfers the object to the Message Interface Register by writing the received message number to the IFx Command Request Register. Then, set WR/RD in the IFx Command Mask Register to "0" (read), set TxRqst/NewDat = 1, IntPnd = 1, and set the NewDat bit and IntPnd bit to "0".

To assure the correct FIFO buffer function, be sure to first read a receive message object in the FIFO buffer with the lowest message number, and then other objects in ascending order.

Figure 3-2 shows how the CPU handles the message objects the FIFO buffer concatenates.

Figure 3-2 CPU handling of FIFO buffer



3.5. Interrupt function

The following explains the interrupt handling using the status interrupt (IntId = 0x8000) and message interrupt (IntId = Message number).

If two or more interrupts are pending, the CAN Interrupt Register points to a pending interrupt code with the highest priority. The chronological order of the interrupt codes are neglected, and the interrupt code with the highest priority is always shown. The interrupt code is retained until the CPU clears it.

The status interrupt (0x8000 of the IntId bit) has the highest priority.

Priority of message interrupts is determined by the message number. A smaller number has a higher priority while the larger the lower.

A message interrupt is cleared by clearing the IntPnd bit of the message object. A status interrupt is cleared by reading the CAN Status Register.

The IntPnd bit in the CAN interrupt Pending Register indicates whether an interrupt has been caused. When no interrupts are pending, the IntPnd bit retains "0".

While the IE bit in the CAN Control Register, and the TxIE bit and RxIE bit in the IFx Message Control Register are set to "1", if the IntPnd bit turns to "1", then the interrupt line to the CPU becomes active. The interrupt line remains active until the CAN Interrupt Pending Register is cleared to "0" (the interrupt factor is reset) or the IE bit in the CAN Control Register is reset to "0".

The 0x8000 value of the CAN Interrupt Register indicates that the CAN Status Register has been updated by the CAN controller. This interrupt has the highest priority. The interrupt by updating the CAN Status Register can enable or disable the setting of the CAN Interrupt Register using the EIE bit and SIE bit in the CAN Control Register. The interrupt line to the CPU can be controlled by the IE bit in the CAN Control Register.

A write access from the CPU can update (reset) the RxOk bit, TxOk bit, and LEC bit in the CAN Status Register. However, the write access cannot generate or reset an interrupt.

Except the 0x8000 and 0x0000 values, the CAN Interrupt Register indicates that a message interrupt is pending, and that the interrupt has the highest priority.

The CAN Interrupt Register is updated even when IE is reset.

The factor of a message interrupt to the CPU can be checked from the CAN Interrupt Register or CAN Interrupt Pending Register. (See "4.5 Message handler registers") When clearing a message interrupt, the message data can be read concurrently. If a message interrupt indicated by the CAN Interrupt Register is cleared, the CAN Interrupt Register sets another interrupt with the next higher priority. This waits for the next interrupt handling. If no interrupts are pending, the CAN Interrupt Register shows the 0x0000 value.

<Notes>

- A status interrupt (IntId = 0x8000) is cleared by a read access to the CAN Status Register.
 - A write access to the CAN Status Register will not generate a status interrupt (IntId = 0x8000).
-

3.6. Bit timing

The following provides the overview of the bit timing and explains about the bit timing in the CAN controller.

Each CAN node in the CAN network has its own clock generator (usually a quartz oscillator). The time parameter of the bit time can be configured individually for each CAN node. Even if each CAN node's oscillator has a different cycle (f_{osc}), a common bit rate can be generated.

The oscillator frequencies vary slightly because of changes in temperature or voltage, or deterioration of components. As long as the frequencies vary only within the tolerance range (df) of the oscillators, the CAN nodes can compensate for the different bit rates by resynchronizing to the bit stream.

The bit time can be divided into four segments according to the CAN specifications (see Figure 3-3), into the synchronization segment (Sync_Seg), the propagation time segment (Prop_Seg), the phase buffer segment 1 (Phase_Seg1), and the phase buffer segment 2 (Phase_Seg2). Each segment consists of the programmable number of time quanta (See Table 3-3). The basic unit of the time quantum (t_q) is defined by CAN controller's system clock " f_{sys} " and the baud rate prescaler (BRP).

$$t_q = BRP / f_{sys}$$

CAN's system clock " f_{sys} " is the frequency of its clock input (See Figure 2-1). Synchronization segment Sync_Seg is a timing in the bit time where edges of the CAN bus level are expected to occur. Propagation time segment Prop_Seg compensates for the physical delay times within the CAN network. Phase buffer segments Phase_Seg1 and Phase_Seg2 must specify the sampling points. Resynchronization jump width (SJW) must define the width within which resynchronization can move the sampling point to compensate for edge phase errors.

Figure 3-3 Bit timing

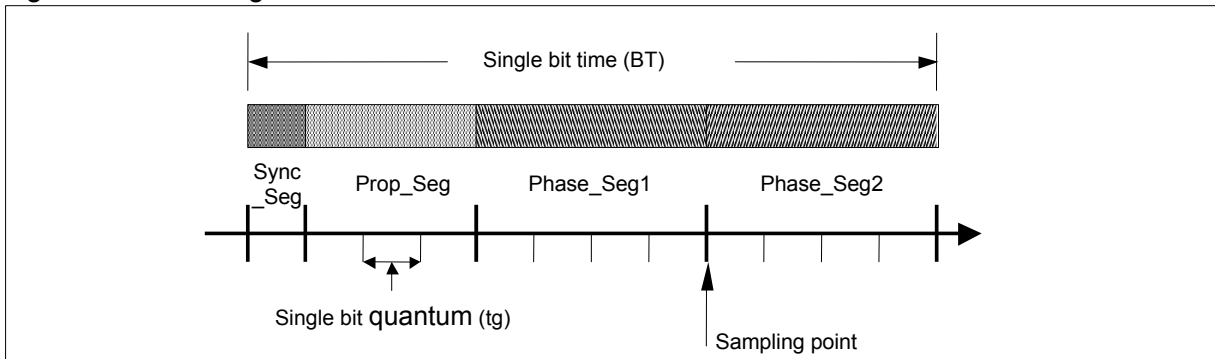


Table 3-3 CAN bit time parameters

Parameter	Range	Function
BRP	[1 to 32]	Defines the length of time quantum tq.
Sync_Seg	1 tq	Fixed length. Synchronization to system clock.
Prop_Seg	[1 to 8] tq	Compensates for the physical delay times.
Phase_Seg1	[1 to 8] tq	Assures edge phase errors before the sampling point. May be prolonged temporarily by synchronization.
Phase_Seg2	[1 to 8] tq	Assures edge phase errors after the sampling point. May be shortened temporarily by synchronization.
SJW	[1 to 4] tq	Resynchronization jump width. Will not be longer than either of the phase buffer segments.

The following shows the bit timing in the CAN controller.

Figure 3-4 The bit timing in the CAN controller

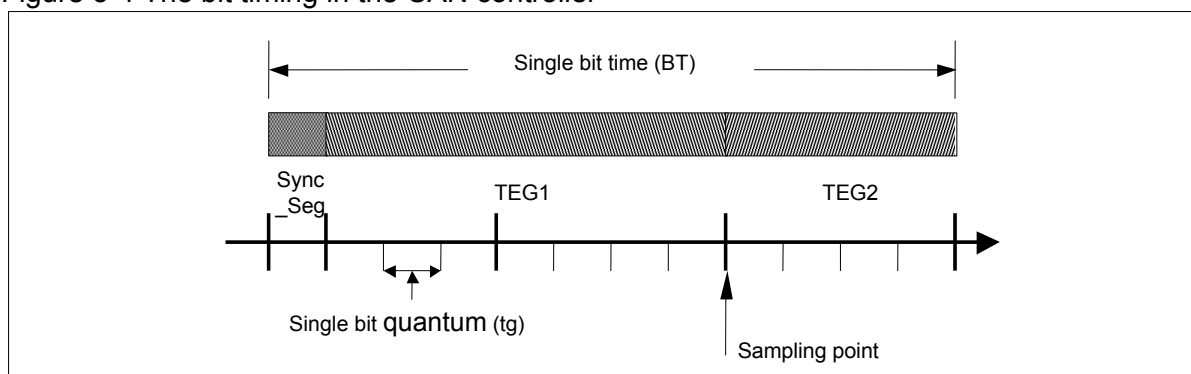


Table 3-4 CAN controller parameters

Parameter	Range	Function
BRPE, BRP	[0 to 1023]	Defines the length of time quantum tq. Can extend the prescaler by up to 1024 by the Bit Timing Register and the Prescaler Extension Register.
Sync_Seg	1 tq	Synchronization to system clock. Fixed length.
TSeg1	[1 to 15] tq	A time segment before the sampling point. Equivalent to Prop_Seg and Phase_Seg1. Can be controlled by the Bit Timing Register.
TSeg2	[0 to 7] tq	A time segment after the sampling point. Equivalent to Phase_Seg2. Can be controlled by the Bit Timing Register.
SJW	[0 to 3] tq	Resynchronization jump width. Can be controlled by the Bit Timing Register.

The following shows the relations among the parameters:

$$\begin{aligned}
 tq &= ([BRPE, BRP]+1) / f_{sys} \\
 BT &= SYNC_SEG + TEG1 + TEG2 \\
 &= (1 + (TSeg1 + 1) + (TSeg2 + 1)) \times tq \\
 &= (3 + TSeg1 + TSeg2) \times tq
 \end{aligned}$$

3.7. Test mode

The following explains how to configure test mode, and about its operations.

■ Test mode setting

Test mode is entered by setting the Test bit in the CAN Control Register to "1". In test mode, the Tx1, Tx0, LBack, Silent, and Basic bits in the CAN Test Register are enabled.

When the Test bit in the CAN Control Register is set to "0", all test register functions are disabled.

■ Silent mode

The CAN controller can be set in silent mode by programming the Silent bit in the CAN Test Register to "1".

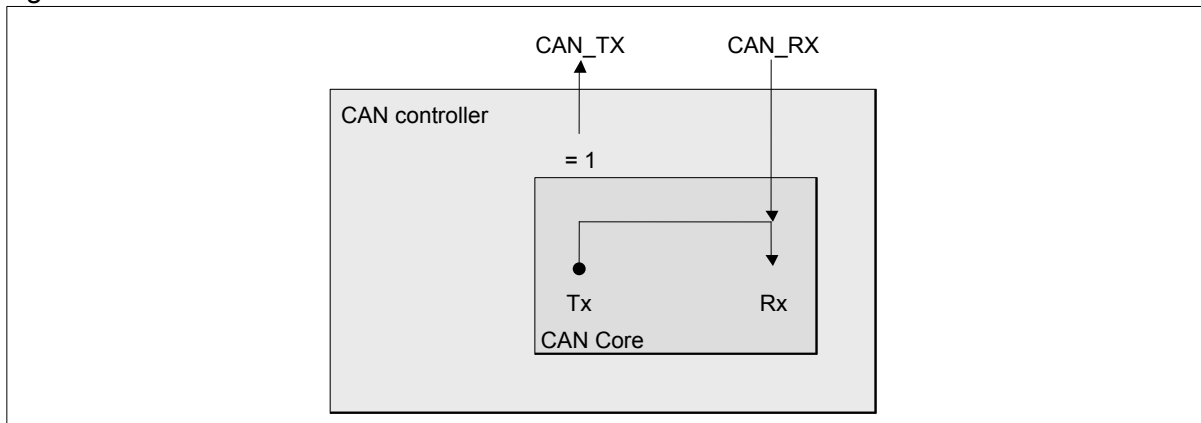
In silent mode, the CAN controller can receive data frames and remote frames, but only outputs recessive bits onto the CAN bus and does not send messages and ACK.

When the CAN controller is required to send dominant bits (ACK bits, overload flags, active error flags), the CAN controller uses the internal rerouting circuit to send them to the RX side. In this operation, the RX side can receive dominant bits rerouted inside the CAN controller even when the CAN bus remains in a recessive state.

In silent mode, the analysis of CAN bus traffic is possible without being affected by transmission of the dominant bits (ACK bits, error flags).

Figure 3-5 shows the connection of the CAN_TX and CAN_RX signals to the CAN controller in silent mode.

Figure 3-5 CAN controller in silent mode



■ Loop back mode

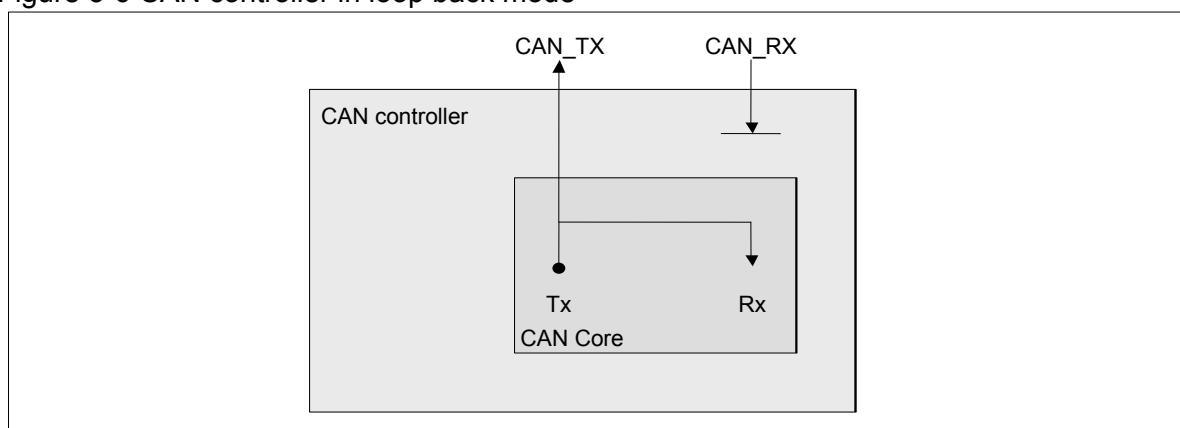
The CAN controller can be set in loop back mode by programming the LBack bit in the CAN Test Register to "1".

Loop back mode can be used for self-diagnostic functions.

In loop back mode, TX is connected with RX inside the CAN controller. The CAN controller treats the transmitted messages as messages received by RX, and stores the messages passed acceptance filtering into the receive buffer.

Figure 3-6 shows the connection of the CAN_TX and CAN_RX signals to the CAN controller in loop back mode.

Figure 3-6 CAN controller in loop back mode



<Note>

Being independent of external signals, the CAN controller does not sample dominant bits in the acknowledgement slot of a data/remote frame. This usually causes the CAN controller to generate acknowledgement errors. In this test mode, however, the errors are not caused.

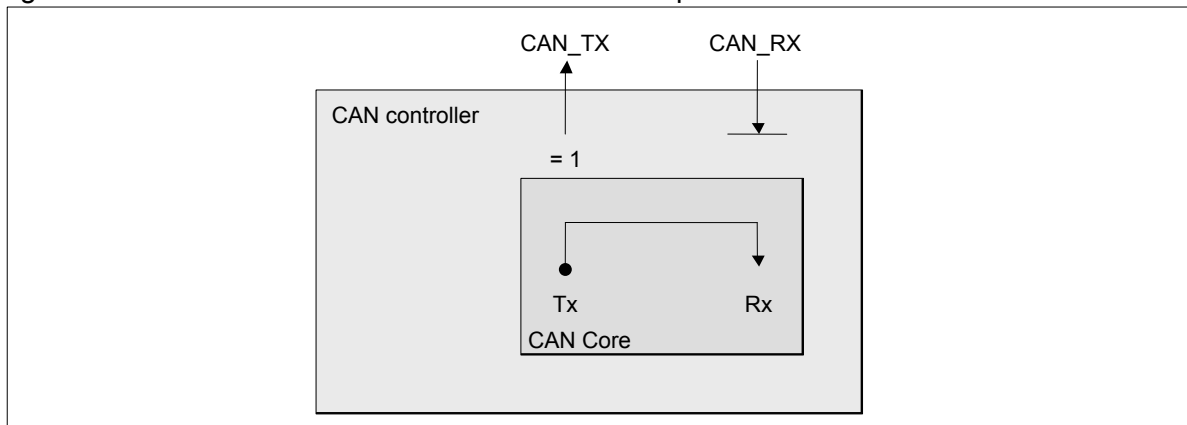
■ Combination of silent mode and loop back mode

Loop back mode and silent mode can be combined by setting the LBack bit and Silent bit in the CAN Test Register to "1" at the same time.

This mode can be used for "Hot self-test". The "Hot self-test" means that the CAN controller can be tested in loop back mode without affecting operation of the CAN system, because a constant recessive value is output from the CAN_TX pin and the input to the CAN_RX pin is ignored.

Figure 3-7 shows the connection of the CAN_TX and CAN_RX signals to the CAN controller when silent mode and loop back mode are combined.

Figure 3-7 CAN controller in combined silent and loop back modes



■ Basic mode

The CAN controller can be set in basic mode by programming the Basic bit in the CAN Test Register to "1".

In basic mode the CAN controller runs without using the message RAM.

The IF1 Message Interface Register is used to control transmission.

First when sending a message, the contents of transmission are configured in the IF1 Message Register. Then the BUSY bit in the IF1 Command Request Register is set to "1" to request transmission. While the BUSY bit is set to "1", the IF1 Message Interface Register is locked or the transmission is pending.

When the BUSY bit is set to "1", the CAN controller performs the following operation:

Immediately when the CAN bus becomes idle, the CAN controller loads the contents of the IF1 Message Interface Register to the send shift register to start transmission. When the transmission has finished successfully, the BUSY bit is reset to "0", and the locked IF1 Message Interface Register is released.

While pending, the transmission can be aborted by resetting the BUSY bit in the IF1 Command Request Register to "0". If the BUSY bit is reset to "0" during the transmission, a possible retransmission in case of lost arbitration or error detection is disabled.

The IF2 Message Interface Register is used to control reception.

All contents of the message are received without using acceptance filtering. The contents of the received message can be read by setting the BUSY bit in the IF2 Command Request Register to "1".

When the BUSY bit is set to "1", the CAN controller performs the following operation:

- Stores the received message (the contents of the receive shift register) into the IF2 Message Interface Register without any acceptance filtering.

If a new message is stored into the IF2 Message Interface Register, the CAN controller sets the NewDat bit to "1". When an additional message is received while the NewDat bit is "1", then CAN controller sets MsgLst to "1".

<Notes>

- In basic mode, all the message objects related to control and status bits are ignored as well as the control mode setting of the IFx Command Mask Register.
 - The message number of the command request register is ignored.
 - The NewDat bit and MsgLst bit in the IF2 Message Control Register retain their usual function, DLC3 to DLC0 indicates the received DLC, and other control bits are read as "0".
-

■ Software control of the CAN_TX pin

CAN_TX is a CAN send pin and has four output functions:

- Outputs serial data (Usual output)
- Outputs CAN sampling point signals to monitor the bit timing of the CAN controller
- Outputs a constant dominant value
- Outputs a constant recessive value

The output of constant dominant and recessive values, combined with CAN_RX monitoring function of the CAN receive pin, can be used to check the CAN bus physical layer.

The output mode of the CAN_TX pin can be controlled by the Tx1 and Tx0 bits in the CAN Test Register.

<Note>

When using CAN message transmission or any of the loop back, silent, or basic modes, the CAN_TX must be set to the serial data output.

3.8. Software initialization

The following explains about initialization using software.

The sources of software initialization are as follows:

- Hardware reset
- Setting the Init bit in the CAN Control Register
- Shift to a busoff state

A hardware reset initializes all other than the message RAM (excluding the MsgVal, NewDat, IntPnd, and TxRqst bits). The message RAM must be initialized, after the hardware reset, by the CPU or by setting the MsgVal in the message RAM to "0". The Bit Timing Register must be configured before clearing the Init bit in the CAN Control Register to "0".

The Init bit in the CAN Control Register is set to "1" in the following conditions:

- Writing "1" from the CPU
- Hardware reset
- In a busoff state

When the Init bit is set to "1", all message transfer from/to the CAN bus is stopped, and the CAN_TX pin in the CAN bus output is in a recessive state (excluding CAN_TX test mode).

Setting the Init bit to "1" does not change the error counter and any register.

When the Init bit and CCE bit in the CAN Control Register are set to "1", the Bit Timing Register for baud rate control and Prescaler Extension Register can be configured.

The software initialization is completed by resetting the Init bit to "0".

By waiting for the occurrence of a consecutive 11 recessive bits (i.e., bus idle) after the Init bit is reset to "0", the message is transferred after synchronization with data transfer on the CAN bus.

Before changing message object masks ID, Xtd, EoB, and RmtEn during normal operation, the MsgVal must be disabled.

4. CAN Registers

The following registers are provided for CAN.

- CAN Control Register (CTRLR)
- CAN Status Register (STATR)
- CAN Error Counter (ERRCNT)
- CAN Bit Timing Register (BTR)
- CAN Interrupt Register (INTR)
- CAN Test Register (TESTR)
- CAN Prescaler Extension Register (BRPER)
- IFx Command Request Register (IFxCREQ)
- IFx Command Mask Register (IFxCMSK)
- IFx Mask Registers 1, 2 (IFxMSK1, IFxMSK2)
- IFx Arbitration 1, 2 (IFxARB1, IFxARB2)
- IFx Message Control Register (IFxMCTR)
- IFx Data Register A1, A2, B1, B2 (IFxDTA1, IFxDTA2, IFxDTB1, IFxDTB2)
- CAN Transmit Request Registers 1, 2 (TREQR1, TREQR2)
- CAN New Data Registers 1, 2 (NEWDT1, NEWDT2)
- CAN Interrupt Pending Registers 1, 2 (INTPND1, INTPND2)
- CAN Message Valid Registers 1, 2 (MSGVAL1, MSGVAL2)

■ Total control register list

Table 4-1 Total control register list

Abbreviation	Register name	Reference
CTRLR	CAN Control Register	4.2.1
STATR	CAN Status Register	4.2.2
ERRCNT	CAN Error Counter	4.2.3
BTR	CAN Bit Timing Register	4.2.4
INTR	CAN Interrupt Register	4.2.5
TESTR	CAN Test Register	4.2.6
BRPER	CAN Prescaler Extension Register	4.2.7

■ Message interface register list

Table 4-2 Message interface register list

Abbreviation	Register name	Reference
IF1CREQ	IF1 Command Request Register	4.3.1
IF1CMSK	IF1 Command Mask Register	4.3.2
IF1MSK1	IF1 Mask Register 1	4.3.3
IF1MSK2	IF1 Mask Register 2	4.3.3
IF1ARB1	IF1 Arbitration Register 1	4.3.4
IF1ARB2	IF1 Arbitration Register 2	4.3.4
IF1MCTR	IF1 Message Control Register	4.3.5
IF1DTA1	IF1 Data A Register 1 (Little endian)	4.3.6
IF1DTA2	IF1 Data A Register 2 (Little endian)	4.3.6
IF1DTB1	IF1 Data B Register 1 (Little endian)	4.3.6
IF1DTB2	IF1 Data B Register 2 (Little endian)	4.3.6
IF1DTA2	IF1 Data A Register 2 (Big endian)	4.3.6
IF1DTA1	IF1 Data A Register 1 (Big endian)	4.3.6
IF1DTB2	IF1 Data B Register 2 (Big endian)	4.3.6
IF1DTB1	IF1 Data B Register 1 (Big endian)	4.3.6
IF2CREQ	IF2 Command Request Register	4.3.1
IF2CMSK	IF2 Command Mask Register	4.3.2
IF2MSK1	IF2 Mask Register 1	4.3.3
IF2MSK2	IF2 Mask Register 2	4.3.3
IF2ARB1	IF2 Arbitration Register 1	4.3.4
IF2ARB2	IF2 Arbitration Register 2	4.3.4
IF2MCTR	IF2 Message Control Register	4.3.5
IF2DTA1	IF2 Data A Register 1 (Little endian)	4.3.6
IF2DTA2	IF2 Data A Register 2 (Little endian)	4.3.6
IF2DTB1	IF2 Data B Register 1 (Little endian)	4.3.6
IF2DTB2	IF2 Data B Register 2 (Little endian)	4.3.6
IF2DTA2	IF2 Data A Register 2 (Big endian)	4.3.6
IF2DTA1	IF2 Data A Register 1 (Big endian)	4.3.6
IF2DTB2	IF2 Data B Register 2 (Big endian)	4.3.6
IF2DTB1	IF2 Data B Register 1 (Big endian)	4.3.6

■ **Message handler register list**

Table 4-3 Message handler register list

Abbreviation	Register name	Reference
TREQ1	CAN Transmit Request Register 1	4.5.1
TREQ2	CAN Transmit Request Register 2	4.5.1
NEWDT1	CAN New Data Register 1	4.5.2
NEWDT2	CAN New Data Register 2	4.5.2
INTPND1	CAN Interrupt Pending Register 1	4.5.3
INTPND2	CAN Interrupt Pending Register 2	4.5.3
MSGVAL1	CAN Message Valid Register 1	4.5.4
MSGVAL2	CAN Message Valid Register 2	4.5.4

4.1. CAN register functions

An address space of 256 bytes is allocated to the CAN registers. The CPU gains access to the message RAM via the message interface registers.

This section lists CAN registers, and describes the detailed function of each register.

■ Total control registers

- CAN Control Register (CTRLR)
- CAN Status Register (STATR)
- CAN Error Counter (ERRCNT)
- CAN Bit Timing Register (BTR)
- CAN Interrupt Register (INTR)
- CAN Test Register (TESTR)
- CAN Prescaler Extension Register (BRPER)

■ Message interface registers

- IFx Command Request Register (IFxCREQ)
- IFx Command Mask Register (IFxCMSK)
- IFx Mask Registers 1, 2 (IFxMSK1, IFxMSK2)
- IFx Arbitration Registers 1, 2 (IFxARB1, IFxARB2)
- IFx Message Control Register (IFxMCTR)
- IFx Data Registers A1, A2, B1, B2 (IFxDTA1, IFxDTA2, IFxDTB1, IFxDTB2)

■ Message handler registers

- CAN Transmit Request Registers 1, 2 (TREQR1, TREQR2)
- CAN New Data Registers 1, 2 (NEWDT1, NEWDT2)
- CAN Interrupt Pending Registers 1, 2 (INTPND1, INTPND2)
- CAN Message Valid Registers 1, 2 (MSGVAL1, MSGVAL2)

4.2. Total control registers

Total control registers control the CAN protocol and operating modes, and provide status information.

■ Total control registers

- CAN Control Register (CTRLR)
- CAN Status Register (STATR)
- CAN Error Counter (ERRCNT)
- CAN Bit Timing Register (BTR)
- CAN Interrupt Register (INTR)
- CAN Test Register (TESTR)
- CAN Prescaler Extension Register (BRPER)

4.2.1. CAN Control Register (CTRLR)

The CAN Control Register controls the operating modes of the CAN controller.

■ Register configuration

- CAN Control Register (high-order byte)

bit	15	14	13	12	11	10	9	8
Field	Reserved							
Attribute	-							
Initial value	0x00							

- CAN Control Register (low-order byte)

bit	7	6	5	4	3	2	1	0
Field	Test	CCE	DAR	Reserved	EIE	SIE	IE	Init
Attribute	R/W	R/W	R/W	-	R/W	R/W	R/W	R/W
Initial value	0	0	0	0	0	0	0	1

■ Register functions

[bit15:8] Reserved: Reserved bits

These bits are read as "0", and must be set to "0" when writing.

[bit7] Test: Test mode enable bit

bit	Function
0	Normal operation [Initial value]
1	Test mode

<Note>

The Test bit can be set to "1" only while the Init bit is "1".

[bit6] CCE: Bit Timing Register write enable bit

bit	Function
0	Disables write access to the CAN Bit Timing Register and CAN Prescaler Extension Register. [Initial value]
1	Enables write access to the CAN Bit Timing Register and CAN Prescaler Extension Register. This setting is valid while the Init bit is "1".

[bit5] DAR: Automatic retransmission disable bit

bit	Function
0	Enables automatic retransmission when arbitration is lost or an error is detected. [Initial value]
1	Disables automatic retransmission.

Based on the CAN specification (ISO11898. See 6.3.3 Recovery Sequence), the CAN controller automatically resends frames when arbitration is lost or an error is detected during transfer. To allow the automatic retransmission, set the DAR bit to "0". To operate CAN in Time Triggered CAN (TTCAN, See ISO11898-1) environments, set the DAR bit to "1".

<Notes>

- In the mode where the DAR bit is set to "1", the TxRqst bit and the NewDat bit of a message object behave differently. (For message objects, see "4.4 Message objects")
 - When frame transmission has started, the TxRqst bit of the message object is reset to "0" while NewDat remains set.
 - When frame transmission has finished successfully, the NewDat bit is reset to "0".
 If arbitration is lost or an error is detected during transmission, the NewDat bit remains set. To restart the transmission, the CPU must set the TxRqst to "1".
- If the DAR bit in the CAN Control Register (CTRLR) is changed from "0" to "1" during frame transmission (TxRqst = "1"), a frame being transmitted will be transmitted again. Therefore, change the DAR bit only while the Init bit is "1".
- A transmission using two or more message buffers while the DAR bit is set to "1" assumes the following operations:
 - If the TxRqst in other message buffer is set to "1" before or during frame transmission (TxRqst bits in multiple message buffers are set to "1"), all the set TxRqst bits are reset to "0" upon the start of frame transmission, and data in the message buffer with the highest priority will be sent.

When frame transmission has finished successfully, the NewDat bit of the sent message buffer is reset to "0" and, if TxIE of the message buffer is "1" then, IntPnd of the message object is set to "1".

Data in other message buffers will not be sent because their TxRqst bits have been reset to "0" upon the start of frame transmission.

Check the message buffer sent by NewDat and IntPnd, and then set TxRqst and NewDat to "1" again for another message buffer to be sent.

[bit4] Reserved: Reserved bit

This bit is read as "0", and must be set to "0" when writing.

[bit3] EIE: Error interrupt code enable bit

bit	Function
0	A change of the BOff or EWarn bit in the CAN Status Register disables the setting of interrupt code in the CAN Interrupt Register. [Initial value]
1	A change of the BOff or EWarn bit in the CAN Status Register enables the setting of status interrupt code in the CAN Interrupt Register.

[bit2] SIE: Status interrupt code enable bit

bit	Function
0	A change of the TxOk, RxOk, or LEC bit in the CAN Status Register disables the setting of interrupt code in the CAN Interrupt Register. [Initial value]
1	A change of the TxOk, RxOk, or LEC bit in the CAN Status Register enables the setting of status interrupt code in the CAN Interrupt Register. A change of TxOk, RxOk, or LEC bit caused by write access from the CPU is not set in the CAN Interrupt Register.

[bit1] IE: Interrupt enable bit

bit	Function
0	Disables interrupt generation. [Initial value]
1	Enables interrupt generation.

[bit0] Init: Initialization bit

bit	Function
0	CAN controller operations enabled.
1	Initialization [Initial value]

<Notes>

- The busoff recovery sequence (see CAN Specification Rev. 2.0) cannot be shortened by setting or resetting the Init bit. If the device enters busoff state, the CAN controller itself sets the Init bit to "1", stopping all bus operations. If the Init bit is cleared to "0" from the busoff state, the bus operation remains stopped until 129 bus idle sequences (one bus idle sequence consists of 11 recessive bits) occur consecutively. When the bus recovery sequence has completed, the error counter is reset.
 - If the Init bit is set to "1" and then reset to "0" during the busoff recovery sequence, the busoff recovery sequence restarts from the beginning (sends a set of 11 recessive bits 129 times).
 - To write to the CAN Bit Timing Register, set the Init and CCE bits to "1".
 - Setting the Init bit to "1" during transfer stops data reception immediately.
 - To set the Init bit to "1" during transmission, set the Init bit to "1" after the transmission has finished. If you set the Init bit to "1" during transmission, set the Init bit to "0" and then wait for a two-bit time to perform the transmission setting (TxRqst="1").
 - Before making transition to low consumption mode (stop mode or clock mode), and before changing clock supply, the Init bit must be set to "1" to initialize the CAN controller.
 - To change the division ratio of clock supplied to the CAN interface by using the following registers, set the Init bit to "1" to stop the CAN controller previously.
 - CAN Bit Timing Register (BTR)
 - CAN Prescaler Extension Register (BRPER)
 - CAN Prescaler (CANPRE)
-

4.2.2. CAN Status Register (STATR)

The CAN Status Register indicates the CAN status and a CAN bus state.

■ Register configuration

- CAN Status Register (High-order byte)

bit	15	14	13	12	11	10	9	8
Field	Reserved							
Attribute	-							
Initial value	0x00							

- CAN Status Register (Low-order byte)

bit	7	6	5	4	3	2	1	0
Field	BOff	EWarn	EPass	RxOk	TxOk	LEC		
Attribute	R,WX	R,WX	R,WX	R,W	R,W	R,W		
Initial value	0	0	0	0	0	000		

■ Register functions

[bit15:8] Reserved: Reserved bits

These bits are read as "0", and must be set to "0" when writing.

[bit7] BOff: Busoff bit

bit	Function
0	CAN bus is not in busoff state. [Initial value]
1	CAN bus is in busoff state.

[bit6] EWarn: Warning bit

bit	Function
0	Both the send and receive counters are below 96. [Initial value]
1	Send or receive counter has reached or exceeded 96.

[bit5] EPass: Error passive bit

bit	Function
0	Both the send and receive counters are below 128 (error active state). [Initial value]
1	The RP bit of the receive counter is "1", or the send counter is between 128 and 255 (error passive state).

[bit4] RxOk: Successful message reception bit

bit	Function
0	No message has been transferred successfully on the CAN bus, or the bus is in idle state. [Initial value]
1	A messages has been transferred successfully on the CAN bus.

[bit3] TxOk: Successful message transmission bit

bit	Function
0	The bus is in idle state, or no message has been sent successfully. [Initial value]
1	A messages has been sent successfully.

<Note>

The RxOk and TxOk bits can be reset only by the CPU.

[bit2:0] LEC: Last error code bits

bit2:0	State	Function
0	Normal	Successful transmission or reception. [Initial value]
1	Stuff error	Six or more dominant or recessive bits have been detected consecutively in a message.
2	Form error	A wrong fixed format part of a received frame has been detected.
3	Ack error	A sent message was not acknowledged by another node.
4	Bit 1 error	In the sent message data excluding the arbitration field, bits that have been sent as recessive data is detected as dominant data.
5	Bit 0 error	In the sent message data excluding the arbitration field, bits that have been sent as dominant data is detected as recessive data. This bit is set each time 11 recessive bits are detected during bus recovery. The bus recovery sequence can be monitored by reading this bit.
6	CRC error	The CRC data in a received message did not match the calculated CRC value.
7	Undetected	If the CPU wrote "7" to the LEC bit, and the LEC value is read as "7" afterward, it indicates that no bus event has been detected since the CPU wrote the value. (The bus is in idle state)

The LEC bit holds a code that indicates the last error occurred on the CAN bus. When a message has been transferred (sent or received) without error, this bit is cleared to "0". The undetected code "7" is written by the CPU to check for code updates.

<Notes>

- If the BOff and EWarn bits change while the EIE bit is "1", or if the RxOk, TxOk, and LEC bits change while the SIE bit is "1", the status interrupt code (0x8000) is written to the CAN Interrupt Register.
 - Writing from the CPU updates the RxOk and TxOk bits, and this erases the RxOk and TxOk bits set by the CAN controller. If the RxOk and TxOk bits are used, clear the RxOk and TxOk bits within the time ($45 \times BT$) after they are set to "1". BT indicates one bit time.
 - If a change of the LEC bit causes an interrupt while the SIE bit is "1", do not write to the CAN Status Register.
 - No interrupt is caused by a change of the EPass bit, or writing to the RxOk, TxOk, and LEC bits from the CPU.
 - When the BOff bit has turned to "1", the EPass bit and EWarn bit are "1". When the EPass bit has turned to "1", the EWarn bit is "1".
 - The status interrupt (0x8000) of the CAN Interrupt Register is cleared by reading this register.
-

4.2.3. CAN Error Counter (ERRCNT)

The CAN Error Counter indicates the receive error passive, the receive error counter, and the send error counter.

■ Register configuration

- CAN Error Counter (High-order byte)

bit	15	14	13	12	11	10	9	8
Field	RP		REC[6:0]					
Attribute	R,WX		R,WX					
Initial value	0		0000000					

- CAN Error Counter (Low-order byte)

bit	7	6	5	4	3	2	1	0
Field	TEC[7:0]							
Attribute	R,WX							
Initial value	0x00							

■ Register functions

[bit15] RP: Receive error passive indication

bit	Function
0	The receive error counter is below the error passive level. [Initial value]
1	The receive error counter has reached the error passive level defined in the CAN specification.

[bit14:8] REC[6:0]: Receive error counter

A receive error counter value. The range of the receive error counter value is between 0 and 127.

If the receive error counter reaches or exceeds 128, the RP bit is set to "1", and the counter is not refreshed.

- Example: If a receive error adds 8 to REC[6:0] = 127 with RP = 0,
then REC[6:0] = 127 with RP = 1.
If a receive error adds 8 to REC[6:0] = 126 with RP = 0,
then REC[6:0] = 126 with RP = 1.
If a receive error adds 8 to REC[6:0] = 119 with RP = 0,
then REC[6:0] = 127 with RP = 0.
If reception is successful when REC[6:0] = 126 and RP = 1,
then REC[6:0] = 125 and RP = 0.

[bit7:0] TEC[7:0]: Send error counter

A send error counter value. The range of the send error counter value is between 0 and 255.

If the send error counter reaches or exceeds 256, the Init bit of the CAN Control Register is set to "1", and the counter is not refreshed.

- Example: If a send error adds 8 to TEC[7:0] = 255 with Init = 0,
then TEC[7:0] = 255 with Init = 1.
If a send error adds 8 to TEC[7:0] = 254 with Init = 0,
then TEC[7:0] = 254 with Init = 1.
If a receive error adds 8 to TEC[7:0] = 247 with Init = 0,
then TEC[7:0] = 255 with Init = 0.

4.2.4. CAN Bit Timing Register (BTR)

The CAN Bit Timing Register configures the prescaler and the bit timing.

■ Register configuration

- CAN Bit Timing Register (High-order byte)

bit	15	14	13	12	11	10	9	8
Field	Reserved	TSeg2			TSeg1			
Attribute	-	R/W			R/W			
Initial value	0	010			0011			

- CAN Bit Timing Register (Low-order byte)

bit	7	6	5	4	3	2	1	0
Field	SJW		BRP					
Attribute	R/W		R/W					
Initial value	00		000001					

■ Register functions

[bit15] Reserved: Reserved bit

This bit is read as "0", and must be set to "0" when writing.

[bit14:12] TSeg2: Time segment 2 setting bits

Valid programmed values are 0 to 7. The TSeg2 + 1 value is the time segment 2.

The time segment 2 is equivalent to the Phase Buffer Segment (PHASE_SEG2) in the CAN specification.

[bit11:8] TSeg1: Time segment 1 setting bits

Valid programmed values are 1 to 15. The 0 value must not be used. The TSeg1 + 1 value is the time segment 1.

The time segment 1 is equivalent to the Propagation Segment (PROP_SEG) + Phase Buffer Segment 1 (PHASE_SEG1) in the CAN specification.

[bit7:6] SJW: Resynchronization jump width setting bits

Valid programmed values are 0 to 3. The SJW + 1 value is the resynchronization jump width.

[bit5:0] BRP: Baud rate prescaler setting bits

Valid programmed values are 0 to 63. The BRP + 1 value is the baud rate prescaler.

It determines the basic unit of time quantum (tq) for the CAN controller by dividing the system clock (fsys).

<Note>

The CAN Bit Timing Register and CAN Prescaler Extension Register must be configured while the Init bit and CCE bit in the CAN Control Register are set to "1".

4.2.5. CAN Interrupt Register (INTR)

The CAN Interrupt Register indicates message interrupt code and status interrupt code.

■ Register configuration

- CAN Interrupt Register (High-order byte)

bit	15	14	13	12	11	10	9	8
Field	IntId15 to IntId8							
Attribute	R,WX							
Initial value	0x00							

- CAN Interrupt Register (Low-order byte)

bit	7	6	5	4	3	2	1	0
Field	IntId7 to IntId0							
Attribute	R,WX							
Initial value	0x00							

■ Register functions

bit15:0	Function
0x0000	No interrupt
0x0001 to 0x0020	An interrupt factor indicates a message object number. (Message interrupt code)
0x0021 to 0x7FFF	Unused.
0x8000	Indicates an interrupt by a change in the CAN Status Register. (Status interrupt code)
0x8001 to 0xFFFF	Unused.

If two or more interrupts are pending, the CAN Interrupt Register indicates a high-priority interrupt code. If a high-priority interrupt code is generated while an interrupt code is set to the CAN Interrupt Register, the CAN Interrupt Register is updated to the high-priority interrupt code.

High-priority interrupt codes are arranged in the order of status interrupt code (0x8000), message interrupt codes (0x0001, 0x0002, 0x0003,, 0x0020).

When the IE bit of the CAN Control Register is set to "1" while the IntId bit is not 0x0000, a CPU interrupt signal becomes active. When the IntId bit is set to 0x0000 (an interrupt factor is reset) or the IE bit of the CAN Control Register is reset to "0", an interrupt signal becomes inactive.

To clear a message interrupt code, reset the IntPnd bit of the target message object (see "4.4 Message objects" for the message object) to "0".

A status interrupt code is cleared by reading the CAN Status Register.

<Note>

To read the CAN Interrupt Register, access it in halfword or word mode.

4.2.6. CAN Test Register (TESTR)

The CAN Test Register is used to set the test mode and monitor the RX pin. For operations, see "3.7 Test mode".

■ Register configuration

- CAN Test Register (High-order byte)

bit	15	14	13	12	11	10	9	8
Field	Reserved							
Attribute	-							
Initial value	0x00							

- CAN Test Register (Low-order byte)

bit	7	6	5	4	3	2	1	0
Field	Rx	Tx1	Tx0	LBack	Silent	Basic	Reserved	Reserved
Attribute	R,WX	R/W	R/W	R/W	R/W	R/W	-	-
Initial value	r	0	0	0	0	0	0	0

The initial value "r" of Rx in bit 7 indicates the level on the CAN bus.

■ Register functions

[bit15:8] Reserved: Reserved bits

These bits are read as "0", and must be set to "0" when writing.

[bit7] Rx: Rx pin monitor bit

bit	Function
0	Indicates that the CAN bus is in the dominant state.
1	Indicates that the CAN bus is in the recessive state.

[bit6:5] Tx1, Tx0: TX pin control bits

bit6	bit5	Function
0	0	Normal operation. [Initial value]
0	1	Outputs a sampling point to the Tx pin.
1	0	Outputs a dominant to the TX pin.
1	1	Outputs a recessive to the TX pin.

[bit4] LBack: Loop back mode

bit	Function
0	Disables loop back mode. [Initial value]
1	Enables loop back mode.

[bit3] Silent: Silent mode

bit	Function
0	Disables silent mode. [Initial value]
1	Enables silent mode.

[bit2] Basic: Basic mode

bit	Function
0	Disables basic mode. [Initial value]
1	Enables basic mode. The IF1 register is used for a sent message, and the IF2 register for a received message.

[bit1:0] Reserved: Reserved bits

These bits are read as "0", and must be set to "0" when writing.

<Notes>

- After setting "1" to the Test bit of the CAN Control Register, write data to this register. When the Test bit of the CAN Control Register is set to "1", test mode becomes valid. If the Test bit of the CAN Control Register is set to "0" during processing, test mode changes to normal mode.
 - If the Tx bits are set to a value other than "00", no message can be sent.
-

4.2.7. CAN Prescaler Extension Register (BRPER)

The CAN Prescaler Extension Register is used to extend the prescaler used in the CAN controller by combining it with the prescaler specified at a CAN bit timing.

■ Register configuration

- CAN Prescaler Extension Register (High-order byte)

bit	15	14	13	12	11	10	9	8
Field	Reserved							
Attribute	-							
Initial value	0x00							

- CAN Prescaler Extension Register (Low-order byte)

bit	7	6	5	4	3	2	1	0
Field	Reserved				BRPE			
Attribute	-				R/W			
Initial value	0000				0000			

■ Register functions

[bit15:4] Reserved: Reserved bits

These bits are read as "0", and must be set to "0" when writing.

[bit3:0] BRPE: Baud rate prescaler extension bits

These bits are used to extend the baud rate prescaler up to 1023 by combining BRP and BRPE in the CAN Bit Timing Register.

The value "{BRPE (MSB: 4 bits), BRP (LSB: 6 bits)} + 1" is set as the prescaler value of the CAN controller.

4.3. Message interface registers

The CAN controller provides two message interface registers to control an access from the CPU to the message RAM.

The CAN controller provides two message interface registers to control an access from the CPU to the message RAM. These two registers are used to avoid a conflict between an access from the CPU to the message RAM and an access from the CAN controller to the message RAM by buffering the data (message object) transferred or to be transferred. A message object (see "4.4 Message objects" for message object) is used to collectively transfer data between the message interface registers and message RAM.

Two message interface registers have the same functions, excluding basic test mode, and can be operated independently. For example, the IF2 Message Interface Register can be used to read data from the message RAM while the IF1 Message Interface Register is being used to write data to the message RAM. Table 4-2 shows two message interface registers.

Each Message Interface Register consists of two components: (1) Command Register (Command Request and Command Mask Registers) and (2) Message Buffer Register (Mask, Arbitration, Message Control, and Data Registers) controlled with the Command Register. The Command Mask Register indicates the data transfer direction and also which part in a message object is to be transferred. The Command Request Register is used to select a message number and perform the operation specified in the Command Mask Register.

4.3.1. IFx Command Request Register (IFxCREQ)

The IFx Command Request Register is used to select a message number of the message RAM and transfer data between the message RAM and Message Buffer Register. In basic test mode, IF1 is used to control sending and IF2 to control receiving.

■ Register configuration

- IFx Command Request Register (High-order byte)

bit	15	14	13	12	11	10	9	8
Field	BUSY		Reserved					
Attribute	R/W		-					
Initial value	0		0000000					

- IFx Command Request Register (Low-order byte)

bit	7	6	5	4	3	2	1	0
Field	Message Number							
Attribute	R/W							
Initial value	0x01							

■ Register functions

A message transfer starts between the message RAM and Message Buffer Register (Mask, Arbitration, Message Control, and Data Registers) immediately after a message number has been written to the IFx Command Request Register. This write operation sets the BUSY bit to "1" and continues transfer processing while the BUSY bit is "1". When transfer processing is ended, the BUSY bit is reset to "0".

If the CPU accesses the Message Interface Register while the BUSY bit is "1", the CPU waits until the BUSY bit is set to "0" (for 3 to 6 clock cycles after data has been written to the Command Request Register).

The method for using the BUSY bit is different in basic test mode. The IF1 Command Request Register, which is used as a send message, starts message sending when the BUSY bit is set to "1". When message transfer has finished successfully, the BUSY bit is reset to "0". Resetting the BUSY bit to "0" enables canceling message transfer at any time.

The IF2 Command Request Register, which is used for receiving message, stores the received message in the IF2 Message Interface Register when the BUSY bit is set to "1".

[bit15] BUSY: Busy flag bit

· Other than basic test mode

bit	Function
0	Indicates that data transfer is not performed between the Message Interface Register and message RAM. [Initial value]
1	Indicates that data transfer is being performed between the Message Interface Register and message RAM.

- Basic test mode
- IF1 Command Request Register

bit	Function
0	Disables message sending.
1	Enables message sending.

- IF2 Command Request Register

bit	Function
0	Disables message receiving.
1	Enables message receiving.

[bit14:8] Reserved: Reserved bits

These bits are read as "0", and must be set to "0" when writing.

[bit7:0] Message Number: Message number (32 message buffers)

bit7:0	Function
0x00, 0x40, 0x60, 0x80, 0xA0, 0xC0, 0xE0	Setting is prohibited. If specified, it is interpreted as 0x20, causing 0x20 to be read.
0x01 to 0x20	Specifies a message number to perform processing.
0x21 to 0x3F, 0x41 to 0x5F, 0x61 to 0x7F, 0x81 to 0x9F, 0xA1 to 0xBF, 0xC1 to 0xDF, 0xE1 to 0xFF	Setting is prohibited. If specified, it is interpreted as one of 0x01 to 0x1F, causing the interpreted value to be read.

<Note>

The BUSY bit can be read and written. Therefore, writing any data to this bit does not affect operations, excluding in basic test mode (see "3.7 Test mode" for basic test mode).

4.3.2. IFx Command Mask Register (IFxCMSK)

The IFx Command Mask Register is used to control the transfer direction between the Message Interface Register and message RAM and specify which data is to be updated. This register is invalid in basic test mode.

■ Register configuration

- IFx Command Mask Register (High-order byte)

bit	15	14	13	12	11	10	9	8
Field	Reserved							
Attribute	-							
Initial value	0x00							

- IFx Command Mask Register (Low-order byte)

bit	7	6	5	4	3	2	1	0
Field	WR/RD	Mask	Arb	Control	CIP	TxRqst/ NewDat	Data A	Data B
Attribute	R/W	R/W	R/W	R/W	R/W	R/W	R/W	R/W
Initial value	0	0	0	0	0	0	0	0

■ Register functions

[bit15:8] Reserved: Reserved bits

These bits are read as "0", and must be set to "0" when writing.

[bit7] WR/RD: Writing or reading control bit

bit	Function
0	Indicates that data is read from the message RAM. Reading from the message RAM is performed by writing data to the IFx Command Request Register. What data is to be read from the message RAM depends on the setting of the Mask, Arb, Control, CIP, TxRqst/NewDat, Data A, or Data B bit. [Initial value]
1	Indicates that data is written to the message RAM. Writing to the message RAM is performed by writing data to the IFx Command Request Register. What data is to be written to the message RAM depends on the setting of the Mask, Arb, Control, CIP, TxRqst/NewDat, Data A, or Data B bit.

<Note>

After resetting, data of the message RAM is unfixed. The message RAM cannot be read while its data is unfixed.

The meaning of the bit6 to bit0 in the IFx Command Mask Register depends on the transfer direction specified with the WR or RD bit.

● When the transfer direction is "writing" (WR/RD="1")

[bit6] Mask: Mask data update bit

bit	Function
0	Indicates that mask data (ID mask + MDir + MXtd) of a message object*1 is not updated. [Initial value]
1	Indicates that mask data (ID mask + MDir + MXtd) of a message object*1 is updated.

*1: See "4.4 Message objects".

[bit5] Arb: Arbitration data update bit

bit	Function
0	Indicates that arbitration data (ID + Dir + Xtd + MsgVal) of a message object*1 is not updated. [Initial value]
1	Indicates that arbitration data (ID + Dir + Xtd + MsgVal) of a message object*1 is updated.

*1: See "4.4 Message objects".

[bit4] Control: Control data update bit

bit	Function
0	Indicates that control data (IFx Message Control Register) of a message object*1 is not updated. [Initial value]
1	Indicates that control data (IFx Message Control Register) of a message object*1 is updated.

*1: See "4.4 Message objects".

[bit3] CIP: Interrupt clear bit

If this bit is set to "0" or "1", it does not affect CAN controller operations.

[bit2] TxRqst/NewDat: Message transmission request bit

bit	Function
0	Indicates that the TxRqst bits of the message object*1 and CAN Transmit Request Register are not changed. [Initial value]
1	Indicates that the TxRqst bits of the message object*1 and CAN Transmit Request Register are set to "1" (transmission requested).

*1: See "4.4 Message objects".

[bit1] Data A: Data0 to Data3 update bit

bit	Function
0	Indicates that Data0 to Data3 of a message object*1 is not updated. [Initial value]
1	Indicates that Data0 to Data3 of a message object*1 is updated.

*1: See "4.4 Message objects".

[bit0] Data B: Data4 to Data7 update bit

bit	Function
0	Indicates that Data4 to Data7 of a message object*1 is not updated. [Initial value]
1	Indicates that Data4 to Data7 of a message object*1 is updated.

*1: See "4.4 Message objects".

<Notes>

- When the TxRqst or NewDat bit of the IFx Command Mask Register is set to "1", the setting of the TxRqst bit in the IFx Message Control Register becomes invalid.
 - This register is invalid in basic test mode.
-

● When the transfer direction is "reading" (WR/RD="0")

[bit6] Mask: Mask data update bit

bit	Function
0	Indicates that data (ID mask + MDir + MXtd) is not transferred from a message object*1 to IFx Master Register 1 or 2. [Initial value]
1	Indicates that data (ID mask + MDir + MXtd) is transferred from a message object*1 to IFx Master Register 1 or 2.

*1: See "4.4 Message objects".

[bit5] Arb: Arbitration data update bit

bit	Function
0	Indicates that data (ID + Dir + Xtd + MsgVal) is not transferred from a message object*1 to IFx Arbitration Register 1 or 2. [Initial value]
1	Indicates that data (ID + Dir + Xtd + MsgVal) is transferred from a message object*1 to IFx Arbitration Register 1 or 2.

*1: See "4.4 Message objects".

[bit4] Control: Control data update bit

bit	Function
0	Indicates that data is not transferred from a message object*1 to the IFx Message Control Register. [Initial value]
1	Indicates that data is transferred from a message object*1 to the IFx Message Control Register.

*1: See "4.4 Message objects".

[bit3] CIP: Interrupt clear bit

bit	Function
0	Indicates that the IntPnd bits of the message object*1 and CAN Interrupt Pending Register are held. [Initial value]
1	Indicates that the IntPnd bits of the message object*1 and CAN Interrupt Pending Register are cleared to "0".

*1: See "4.4 Message objects".

[bit2] TxRqst/NewDat: Data update bit

bit	Function
0	Indicates that the NewDat bits of the message object*1 and CAN New Data Register are held. [Initial value]
1	Indicates that the NewDat bits of the message object*1 and CAN New Data Register are cleared to "0".

*1: See "4.4 Message objects".

[bit1] Data A: Data0 to Data3 update bit

bit	Function
0	Indicates that data of the message object*1 and CAN Data Register A1 or A2 are held. [Initial value]
1	Indicates that data of the message object*1 and CAN Data Register A1 or A2 are updated.

*1: See "4.4 Message objects".

[bit0] Data B: Data4 to Data7 update bit

bit	Function
0	Indicates that data of the message object*1 and CAN Data Register B1 or B2 are held. [Initial value]
1	Indicates that data of the message object*1 and CAN Data Register B1 or B2 are updated.

*1: See "4.4 Message objects".

<Notes>

- The IntPnd and NewDat bits can be reset to "0" by reading a message object. However, the value before reset by reading is set to the IntPnd and NewDat bits of the IFx Message Control Register.
 - This register is invalid in basic test mode.
-

4.3.3. IFx Mask Registers 1, 2 (IFxMSK1, IFxMSK2)

The IFx Mask Registers 1 and 2 are used to write or read message object mask data of the message RAM. The specified mask data is invalid in basic test mode.

For the function of each bit, see "4.4 Message objects".

■ Register configuration

- IFx Mask Register 2 (High-order byte)

bit	15	14	13	12	11	10	9	8
Field	MXtd	MDir	Reserved	Msk28 to Msk24				
Attribute	R/W	R/W	R1,W1	R/W				
Initial value	1	1	1	11111				

- IFx Mask Register 2 (Low-order byte)

bit	7	6	5	4	3	2	1	0
Field	Msk23 to Msk16							
Attribute	R/W							
Initial value	0xFF							

- IFx Mask Register 1 (High-order byte)

bit	15	14	13	12	11	10	9	8
Field	Msk15 to Msk8							
Attribute	R/W							
Initial value	0xFF							

- IFx Mask Register 1 (Low-order byte)

bit	7	6	5	4	3	2	1	0
Field	Msk7 to Msk0							
Attribute	R/W							
Initial value	0xFF							

For the explanation of each bit in this register, see "4.4 Message objects".

Read "1" in the reserved bit (bit 13 of IFx Mask Register 2). Set "1" in write mode.

4.3.4. IFx Arbitration Registers 1, 2 (IFxARB1, IFxARB2)

The IFx Arbitration Registers 1 and 2 are used to write or read message object arbitration data of the message RAM. This register is invalid in basic test mode.

For the function of each bit, see "4.4 Message objects".

■ Register configuration

- IFx Arbitration Register 2 (High-order byte)

bit	15	14	13	12	11	10	9	8
Field	MsgVal	Xtd	Dir	ID28 to ID24				
Attribute	R/W	R/W	R/W	R/W				
Initial value	0	0	0	00000				

- IFx Arbitration Register 2 (Low-order byte)

bit	7	6	5	4	3	2	1	0
Field	ID23 to ID16							
Attribute	R/W							
Initial value	0x00							

- IFx Arbitration Register 1 (High-order byte)

bit	15	14	13	12	11	10	9	8
Field	ID15 to ID8							
Attribute	R/W							
Initial value	0x00							

- IFx Arbitration Register 1 (Low-order byte)

bit	7	6	5	4	3	2	1	0
Field	ID7 to ID0							
Attribute	R/W							
Initial value	0x00							

For the explanation of each bit in this register, see "4.4 Message objects".

<Note>

If the MsgVal bit of a message object is cleared to "0" during transmission, the TxOk bit of the CAN Status Register is set to "1" when transmission has been completed. However, the TxRqst bits of the message object and CAN Transmit Request Register are not cleared to "0". Use the Message Interface Register to clear the TxRqst bit to "0".

4.3.5. IFx Message Control Register (IFxMCTR)

The IFx Message Control Register is used to write or read message object control data of the message RAM. IF1 Message Control Register is invalid in basic test mode. The NewDat and MsgLst bits of the IF2 Message Control Register are used to perform normal operations. The DLC bits indicate the DLC of the received message. The other control bits are invalid ("0").

For the function of each bit, see "4.4 Message objects".

■ Register configuration

- IFx Message Control Register (High-order byte)

bit	15	14	13	12	11	10	9	8
Field	NewDat	MsgLst	IntPnd	UMask	TxEIE	RxEIE	RmtEn	TxRqst
Attribute	R/W	R/W	R/W	R/W	R/W	R/W	R/W	R/W
Initial value	0	0	0	0	0	0	0	0

- IFx Message Control Register (Low-order byte)

bit	7	6	5	4	3	2	1	0
Field	EoB	Reserved			DLC3-0			
Attribute	R/W	-			R/W			
Initial value	0	000			0			

For the explanation of each bit in this register, see "4.4 Message objects".

<Note>

The values of the TxRqst, NewDat, and IntPnd bits are set as shown below depending on the setting of the WR or RD bit in the IFx Command Mask Register.

- When the transfer direction is "writing" (IFx Command Mask Register: WR/RD="1")
 - The TxRqst bit of this register is valid only when the TxRqst or NewDat bit of the IFx Command Mask Register is set to "0".
- When the transfer direction is "reading" (IFx Command Mask Register: WR/RD="0")
 - If the IntPnd bits of the message object and CAN Interrupt Pending Register are reset by setting the CIP bit of the IFx Command Mask Register to "1" and writing data to the IFx Command Request Register, the value of the IntPnd bit that is specified before reset is stored in this register.
 - If the NewDat bits of the message object and CAN New Data Register are reset by setting the TxRqst or NewDat bit of the IFx Command Mask Register to "1" and writing data to the IFx Command Request Register, the value of the NewDat bit that is specified before reset is stored in this register.

4.3.6. IFx Data Registers A1, A2, B1, and B2 (IFxDTA1, IFxDTA2, IFxDTB1, and IFxDTB2)

The IFx Data Registers A1, A2, B1, and B2 are used to write or read message object sending or receiving data to or from the message RAM. Those registers are used only to send or receive a data frame, and not to send or receive a remote frame.

■ Register configuration

	addr+3	addr+2	addr+1	addr+0
IFx Data A Register 1 (Little endian)			Data(1)	Data(0)
IFx Data A Register 2 (Little endian)	Data(3)	Data(2)		
IFx Data B Register 1 (Little endian)			Data(5)	Data(4)
IFx Data B Register 2 (Little endian)	Data(7)	Data(6)		
IFx Data A Register 2 (Big endian)			Data(2)	Data(3)
IFx Data A Register 1 (Big endian)	Data(0)	Data(1)		
IFx Data B Register 2 (Big endian)			Data(6)	Data(7)
IFx Data B Register 1 (Big endian)	Data(4)	Data(5)		

- IFx Data Register

bit	15	14	13	12	11	10	9	8
	7	6	5	4	3	2	1	0
Field	Data							
Attribute	R/W							
Initial value	0x00							

■ Register functions

- Send message data setting
The set data is sent in the order of Data(0), Data(1), ..., Data(7), beginning with the MSB (bit 7 or bit 15).
- Received message data
The received message data is stored in the order of Data(0), Data(1), ..., Data(7), beginning with the MSB (bit 7 or bit 15).

<Notes>

- If the received message data is less than eight bytes in length, undefined data is written to the remaining bytes of the Data Register.
- To transfer data to a message object, it is processed every four bytes in the Data A or Data B Register; therefore, it is impossible to update only a part of 4-byte data.

4.4. Message objects

The message RAM provides 32 message objects. To avoid a conflict when simultaneously accessing the message RAM from the CPU and the CAN controller, the CPU cannot directly access message objects. The message RAM is accessed via the IFx Message Interface Register.

This section explains the configuration and functions of a message object.

■ Configuration of message object

Message object

UMask	Msk28 to Msk0	MXtd	MDir	EoB	NewDat		MsgLst	RxIE	TxIE	IntPnd	RmtEn	TxRqst
MsgVal	ID28 to ID0	Xtd	Dir	DLC3 to DLC0	Data0	Data1	Data2	Data3	Data4	Data5	Data6	Data7

<Note>

A message object is not initialized using the Init bit of the CAN Control Register or the hardware reset function. For the hardware reset function, release the hardware reset function, and initialize the message RAM using the CPU or set MsgVal of the message RAM to "0".

■ Functions of message object

The ID28 to ID0, Xtd, and Dir bits are used to indicate the ID and message type when sending a message. They are used in the acceptance filter together with the Msk28 to Msk0, MXtd, and MDir bits when receiving a message.

ID, IDE, RTR, DLC, and DATA in a data or remote frame that passed through the acceptance filter are respectively stored in ID28 to ID0, Xtd, Dir, DLC3 to DLC0, and Data7 to Data0 of a message object. Xtd indicates whether the received frame is an extension or standard frame. If Xtd is "1", a 29-bit ID (extension frame) is received. If Xtd is "0", a 11-bit ID (standard frame) is received.

When the received data or remote frame matches one or more message objects, it is stored in the message object with the lowest message number. For details, see Acceptance Filter for Received Messages in "3.3 Message reception".

MsgVal : Valid message bit

bit	Function
0	Message objects are invalid. Disables message sending/receiving.
1	Message objects are valid. Enables message sending/receiving.

<Notes>

- Reset the MsgVal bit of an unused message object to "0" before clearing the Init bit of the CAN Control Register to "0".
- Be sure to reset the MsgVal bit of a message object to "0" before changing the value of ID28 to ID0, Xtd, Dir, or DLC3 to DLC0.
- If the MsgVal bit of a message object is cleared to "0" during transmission, the TxOk bit of the CAN Status Register is set to "1" when transmission has been completed. However, the TxRqst bits of the message object and CAN Transmit Request Register are not cleared to "0". Use the Message Interface Register to clear the TxRqst bits to "0".

UMask : Acceptance mask enable bit

bit	Function
0	Does not use Msk28 to Msk0, MXtd, or MDir.
1	Uses Msk28 to Msk0, MXtd, or MDir.

<Notes>

- Change the value of the UMask bit when the Init bit of the CAN Control Register is "1" or the MsgVal bit is "0".
- When the Dir bit is "1" and the RmtEn bit is "0", operations vary depending on the setting of the UMask bit.
 - If the UMask bit is "1", reset the TxRqst bit to "0" when a remote frame has been received through the acceptance filter. The received ID, IDE, RTR, and DLC are stored in a message object, and the NewDat bit is set to "1" while data remains unchanged (data is handled as a data frame).
 - If the UMask bit is "0", the TxRqst bit is held and a remote frame is ignored even if it has been received.

ID28 to ID0 : Message ID

	Function
ID28 to ID0	Specifies a 29-bit ID (extension frame).
ID28 to ID18	Specifies a 11-bit ID (standard frame).

Msk28 to Msk0: ID mask

bit	Function
0	Masks the bit that corresponds to the ID of a message object.
1	Does not mask the bit that corresponds to the ID of a message object.

Xtd: Extension ID enable bit

bit	Function
0	Uses the 11-bit ID (standard frame) for message object.
1	Uses the 29-bit ID (extension frame) for message object.

MXtd : Extension ID mask bit

bit	Function
0	Does not compare the set value of the Xtd bit in a message object with that of the IDE bit of a received frame. Determines whether to perform the comparison as the ID of a standard frame or extension frame based on the IDE bit of a received frame.
1	Compares the set value of the Xtd bit in a message object with that of the IDE bit of a received frame.

<Note>

When a 11-bit ID (standard frame) is set to a message object, the ID of a received data frame is written to ID28 to ID18. Msk28 to Msk18 are used to mask the ID.

Dir: Message direction bit

bit	Function
0	Indicates the receiving direction. When the TxRqst bit is set to "1", a remote frame is sent. When the TxRqst bit is set to "0", a data frame that passed through the acceptance filter is received.
1	Indicates the transmission direction. When the TxRqst bit is set to "1", a data frame is sent. When the TxRqst is "0" and the RmtEn bit is "1", the CAN controller sets the TxRqst bit to "1" if a data frame that passed through the acceptance filter is received.

MDir : Message direction mask bit

bit	Function
0	Masks the message direction bit (Dir) through the acceptance filter.
1	Does not mask the message direction bit (Dir) through the acceptance filter.

<Note>

Always set the Mdir bit to "1".

EoB: End of buffer bit (For details, see "3.4 FIFO buffer function".)

bit	Function
0	Indicates that a message object is used as a FIFO buffer, not the last message.
1	Indicates a single message object or the last message object in the FIFO buffer.

<Notes>

- The EoB bit is used to configure a FIFO buffer for message objects 2 to 32.
- When processing a single message object without using a FIFO buffer, be sure to set the EoB bit to "1".

NewDat: Data update bit

bit	Function
0	Indicates that no valid data resides.
1	Indicates that valid data resides.

MsgLst : Message lost

bit	Function
0	Message lost does not occur.
1	Message lost occurs.

<Note>

The MsgLst bit is valid only when the Dir bit is "0" (receiving direction).

RxIE: Receiving interrupt flag enable bit

bit	Function
0	Does not change the value of the IntPnd bit after frame receiving has succeeded.
1	Changes the IntPnd bit to "1" after frame receiving has succeeded.

TxIE: Transmission interrupt flag enable bit

bit	Function
0	Does not change the value of the IntPnd bit after frame transmission has succeeded.
1	Changes the IntPnd bit to "1" after frame transmission has succeeded.

IntPnd: Interrupt pending bit

bit	Function
0	No interrupt factor is detected.
1	An interrupt factor is detected. If other high-priority interrupt is not found, the IntId bit of the CAN Interrupt Register indicates this message object.

RmtEn: Remote enable

bit	Function
0	Does not change the value of the TxRqst bit when a remote frame has been received.
1	Sets the TxRqst bit to "1" when a remote frame is received while the Dir bit is "1".

<Note>

When the Dir bit is "1" and the RmtEn bit is "0", operations vary depending on the setting of the UMask bit.

- If the UMask bit is "1", reset the TxRqst bit to "0" when a remote frame has been received through the acceptance filter. The received ID, IDE, RTR, and DLC are stored in a message object. The NewDat bit is set to "1" while data remains unchanged (data is handled as a data frame).
- If the UMask bit is "0", the TxRqst bit is held and a remote frame is ignored even if it has been received.

TxRqst : Transmission request bit

bit	Function
0	Indicates the sending idle state (neither the sending state nor the sending wait state).
1	Indicates the sending or sending wait state.

DLC3 to DLC0: Data length code

bit	Function
0 to 8	The data frame length is 0 to 8 bytes.
9 to 15	Setting is prohibited. 8-byte length if specified.

<Note>

The received DLC is stored in the DLC bit if a data frame is received.

Data 0 to Data7: Data 0 to Data 7

	Function
Data 0	First data byte in CAN data frame
Data 1	2nd data byte in CAN data frame
Data 2	3rd data byte in CAN data frame
Data 3	4th data byte in CAN data frame
Data 4	5th data byte in CAN data frame
Data 5	6th data byte in CAN data frame
Data 6	7th data byte in CAN data frame
Data 7	8th data byte in CAN data frame

<Notes>

- Serial data is output from the MSB (bit 7 or bit 15) to the CAN bus.
- If the received message data is less than eight bytes in length, unfixed data is written to the remaining bytes of the Data Register.
- To transfer data to a message object, it is processed every four bytes in the Data A or Data B Register; therefore, it is impossible to update only a part of 4-byte data.

4.5. Message handler registers

Message handler registers are all in read only mode. The TxRqst, NewDat, IntPnd, and MsgVal bits of a message object and the IntId bit indicate the status.

■ Message handler registers

- CAN Transmit Request Registers 1, 2 (TREQR1, TREQR2)
- CAN New Data Registers 1, 2 (NEWDT1, NEWDT2)
- CAN Interrupt Pending Registers 1, 2 (INTPND1, INTPND2)
- CAN Message Valid Registers 1, 2 (MSGVAL1, MSGVAL2)

4.5.1. CAN Transmit Request Registers 1, 2 (TREQR1, TREQR2)

The CAN Transmit Request Registers indicate the TxRqst bits of all message objects. These registers check which message object transmission request is pending by reading the TxRqst bit.

■ Register configuration

- CAN Transmit Request Register 2 (High-order byte)

bit	15	14	13	12	11	10	9	8
Field	TxRqst32 to TxRqst25							
Attribute	R,WX							
Initial value	0x00							

- CAN Transmit Request Register 2 (Low-order byte)

bit	7	6	5	4	3	2	1	0
Field	TxRqst24 to TxRqst17							
Attribute	R,WX							
Initial value	0x00							

- CAN Transmit Request Register 1 (High-order byte)

bit	15	14	13	12	11	10	9	8
Field	TxRqst16 to TxRqst9							
Attribute	R,WX							
Initial value	0x00							

- CAN Transmit Request Register 1 (Low-order byte)

bit	7	6	5	4	3	2	1	0
Field	TxRqst8 to TxRqst1							
Attribute	R,WX							
Initial value	0x00							

■ Register functions

TxRqst32 to TxRqst1: Transmission request bits

bit	Function
0	Indicates the sending idle state (neither the sending state nor the sending wait state).
1	Indicates the sending or sending wait state.

The following shows conditions to set or reset the TxRqst bit.

- Setting conditions
 - Set "1" to the WR/RD bit of the IFx Command Mask Register and "1" to the TxRqst bit, and write data to the IFx Command Request Register to set the TxRqst bit to a specific message object.
 - Set "1" to the WR/RD bit of the IFx Command Mask Register, "0" to the TxRqst bit, and "1" to the Control bit, and "1" to the TxRqst bit of the IFx Message Control Register. Then write data to the IFx Command Request Register to set the TxRqst bit to a specific message object.
 - If the Dir bit is "1" and the RmtEn bit is "1", the TxRqst bit is set by receiving a remote frame that passed through the acceptance filter.

- Resetting conditions
 - Set "1" to the WR/RD bit of the IFx Command Mask Register, "0" to the TxRqst bit, and "1" to the Control, and "0" to the TxRqst bit of the IFx Message Control Register. Then write data to the IFx Command Request Register to reset the TxRqst bit of a specific message object.
 - The TxRqst bit is reset when frame transmission has finished successfully.
 - If the Dir bit is "1", the RmtEn bit is "0", and the UMask bit is "1", the TxRqst bit is reset by receiving a remote frame that passed through the acceptance filter.

<Notes>

- In one of the following conditions, the messages may not be sent until any of the events described below occurs.
 - Conditions : (1) A message buffer with the lowest priority is used for transmission.
 - (2) The TxRqst bit was previously set to "1", but is set to "0" to abort transmission.
 - (3) The TxRqst bit is set to "1" again at the timing of (2).
- Events :
 - A valid message flows on the CAN bus.
 - A transmission request is issued to another message buffer.
 - CAN is initialized by the Init bit.

If canceling the transmission is required to suit system operations, execute the following steps.

1. Execute one of the following steps.
 - Do not use a message buffer with the lowest priority as a send message buffer.
 - After aborting the transmission, generate any of the above events.
 2. Set the TxRqst bit to "1" again.
- If the message objects of ID28 to ID0, DLC3 to DLC0, Xtd, and Data7 to Data0 are changed while the TxRqst bit is "1", message objects before and after the change may be mixed for transmission, or the message objects after the change may not be transmitted. Therefore, be sure to change them while the TxRqst bit is "0".
-

4.5.2. CAN New Data Registers 1, 2 (NEWDT1, NEWDT2)

The CAN New Data Registers indicate the NewDat bits of all message objects. These registers check which message object data is updated by reading the NewDat bit.

■ Register configuration

- CAN New Data Register 2 (High-order byte)

bit	15	14	13	12	11	10	9	8
Field	NerwDat32 to NewDat25							
Attribute	R,WX							
Initial value	0x00							

- CAN New Data Register 2 (Low-order byte)

bit	7	6	5	4	3	2	1	0
Field	NerwDat24 to NewDat17							
Attribute	R,WX							
Initial value	0x00							

- CAN New Data Register 1 (High-order byte)

bit	15	14	13	12	11	10	9	8
Field	NerwDat16 to NewDat9							
Attribute	R,WX							
Initial value	0x00							

- CAN New Data Register 1 (Low-order byte)

bit	7	6	5	4	3	2	1	0
Field	NerwDat8 to NewDat1							
Attribute	R,WX							
Initial value	0x00							

■ Register functions

NerwDat32 to NewDat1: Data update bit

bit	Function
0	Indicates that no valid data resides.
1	Indicates that valid data resides.

The following shows conditions to set or reset the NewDat bit.

- Setting conditions
 - Set "1" to the WR/RD bit of the IFx Command Mask Register, and "1" to the Control bit, and "1" to the NewDat bit of the IFx Message Control Register. Then write data to the IFx Command Request Register to set the NewDat bit to a specific message object.
 - The NewDat bit is set by receiving a data frame that passed through the acceptance filter.
 - If the Dir bit is "1", the RmtEn bit is "0", and the UMask bit is "1", the NewDat bit is set by receiving a remote frame that passed through the acceptance filter.

- Resetting conditions
 - Set "0" to the WR/RD bit of the IFx Command Mask Register and "1" to the NewDat bit, and write data to the IFx Command Request Register to reset the NewDat bit of a specific message object.
 - Set "1" to the WR/RD bit of the IFx Command Mask Register, and "1" to the Control bit, and "0" to the NewDat bit of the IFx Message Control Register. Then write data to the IFx Command Request Register to reset the NewDat bit of a specific message object.
 - The NewDat bit is reset after data has been transferred to the transmission shift register (internal register).

4.5.3. CAN Interrupt Pending Registers 1, 2 (INTPND1, INTPND2)

The CAN Interrupt Pending Registers indicate the IntPnd bits of all message objects. These registers check which message object is pending for interrupt by reading the IntPnd bits.

■ Register configuration

- CAN Interrupt Pending Register 2 (High-order byte)

bit	15	14	13	12	11	10	9	8
Field	IntPnd32 to IntPnd25							
Attribute	R,WX							
Initial value	0x00							

- CAN Interrupt Pending Register 2 (Low-order byte)

bit	7	6	5	4	3	2	1	0
Field	IntPnd24 to IntPnd17							
Attribute	R,WX							
Initial value	0x00							

- CAN Interrupt Pending Register 1 (High-order byte)

bit	15	14	13	12	11	10	9	8
Field	IntPnd16 to IntPnd9							
Attribute	R,WX							
Initial value	0x00							

- CAN Interrupt Pending Register 1 (Low-order byte)

bit	7	6	5	4	3	2	1	0
Field	IntPnd8 to IntPnd1							
Attribute	R,WX							
Initial value	0x00							

■ Register functions

IntPnd32 to IntPnd1: Interrupt pending bit

bit	Function
0	No interrupt factor is detected.
1	An interrupt factor is detected.

The following shows conditions to set or reset the IntPnd bit.

- Setting conditions
 - If the TxIE bit is set to "1", the IntPnd bit is set when frame transmission has been completed normally.
 - If the RxIE bit is set to "1", the IntPnd bit is set when a frame that passed through the acceptance filter was received normally.
 - Set "1" to the WR/RD bit of the IFx Command Mask Register, and "1" to the Control bit, and "1" to the IntPnd bit of the IFx Message Control Register. Then write data to the IFx Command Request Register to set the IntPnd bit of a specific message object.

- Resetting conditions
 - Set "0" to the WR/RD bit of the IFx Command Mask Register and "1" to the CIP bit, and write data to the IFx Command Request Register to reset the IntPnd bit of a specific message object.
 - Set "1" to the WR/RD bit of the IFx Command Mask Register, and "1" to the Control bit, and "0" to the IntPnd bit of the IFx Message Control Register. Then write data to the IFx Command Request Register to reset the IntPnd bit of a specific message object.

4.5.4. CAN Message Valid Registers 1, 2 (MSGVAL1, MSGVAL2)

The CAN Message Valid Registers indicate the MsgVal bits of all message objects. These registers check which message object is valid by reading the MsgVal bits.

■ Register configuration

- CAN Message Valid Register 2 (High-order byte)

bit	15	14	13	12	11	10	9	8
Field	MsgVal32 to MsgVal25							
Attribute	R,WX							
Initial value	0x00							

- CAN Message Valid Register 2 (Low-order byte)

bit	7	6	5	4	3	2	1	0
Field	MsgVal24 to MsgVal17							
Attribute	R,WX							
Initial value	0x00							

- CAN Message Valid Register 1 (High-order byte)

bit	15	14	13	12	11	10	9	8
Field	MsgVal16 to MsgVal9							
Attribute	R,WX							
Initial value	0x00							

- CAN Message Valid Register 1 (Low-order byte)

bit	7	6	5	4	3	2	1	0
Field	MsgVal8 to MsgVal1							
Attribute	R,WX							
Initial value	0x00							

■ Register functions

MsgVal32 to MsgVal1: Message valid bit

bit	Function
0	Message objects are invalid. Disables message sending/receiving.
1	Message objects are valid. Enables message sending/receiving.

The following shows conditions to set or reset the MsgVal bit.

- Setting conditions
Set "1" to the WR/RD bit of the IFx Command Mask Register, and "1" to the Arb bit, and "1" to the MsgVal bit of the IFx Arbitration Register 2. Then write data to the IFx Command Request Register to set the MsgVal bit of a specific message object.
- Resetting conditions
Set "1" to the WR/RD bit of the IFx Command Mask Register, and "1" to the Arb bit, and "0" to the MsgVal bit of the IFx Arbitration Register 2. Then write data to the IFx Command Request Register to reset the MsgVal bit of a specific message object.

5. Notes

Table 5-1 and Table 5-2 show input and output signals.

Table 5-1 Table of input and output signals (Input signal)

NO	Signal name	I/O	Polarity	EDGE*1	Functions
1	CAN_CLK	I	-	-	Operation clock
2	CAN_RESET	I	H	ASYNC	Reset. When this signal is "H", initialization is performed.
3	CAN_SELECT	I	H	CAN_CLK↑	Register select signal. When this signal is "H", the register indicated by CAN_ADDR is selected.
4	CAN_WR_B	I	L	CAN_CLK↑	Access direction signal. This indicates read direction when this signal is "H" and CAN_SELECT="H", and indicates write direction when this signal is "L" and CAN_SELECT="H".
5	CAN_WR_SIZE [1:0]	I	-	CAN_CLK↑	Access size. During read, this signal is ignored and 32 bit access is performed. However, CAN_WR_SIZE="11" is disabled. <ul style="list-style-type: none"> · "00" : 8 bit access · "01" : 16 bit access · "10" : 32 bit access · "11" : Setting is prohibited. (32 bit access) When CAN_SELECT="H", this signal is enabled.
6	CAN_ADDR [7:0]	I	-	CAN_CLK↑	Address signal. When CAN_SELECT="H", the register for access is selected by CAN_WR_SIZE and this signal.
7	CAN_DATA_IN [31:0]	I	-	CAN_CLK↑	Writing data input to register.
8	CAN_RX	I	-	ASYNC	CAN receiving data input.

Table 5-2 Table of input and output signals (Output signal)

NO	Signal name	I/O	Polarity	EDGE*1	Initial value	Functions
9	CAN_DATA_OUT [31:0]	O	-	CAN_CLK↑	-	Register data output. When there is no read to register, "L" is returned.
10	CAN_WAIT_B	O	L	CAN_CLK↑	H	Transfer signal. This signal indicates data transferring state between message RAM and interface register. When this signal is "L", access to interface register (IF1/IF2) is disabled.
11	CAN_INT	O	H	CAN_CLK↑	L	Interrupt signal. When this signal is "H", interrupt is requested.
12	CAN_TX	O	-	CAN_CLK↑	H	CAN transmit data output.

*1 : Timing of change is indicated.

APPENDIXES

This chapter shows the register map, list of notes, limitations and product type list.

- A. Register Map
- B. List of Notes

CODE: 9BFAPPENDIXES-E03.0

A. Register Map

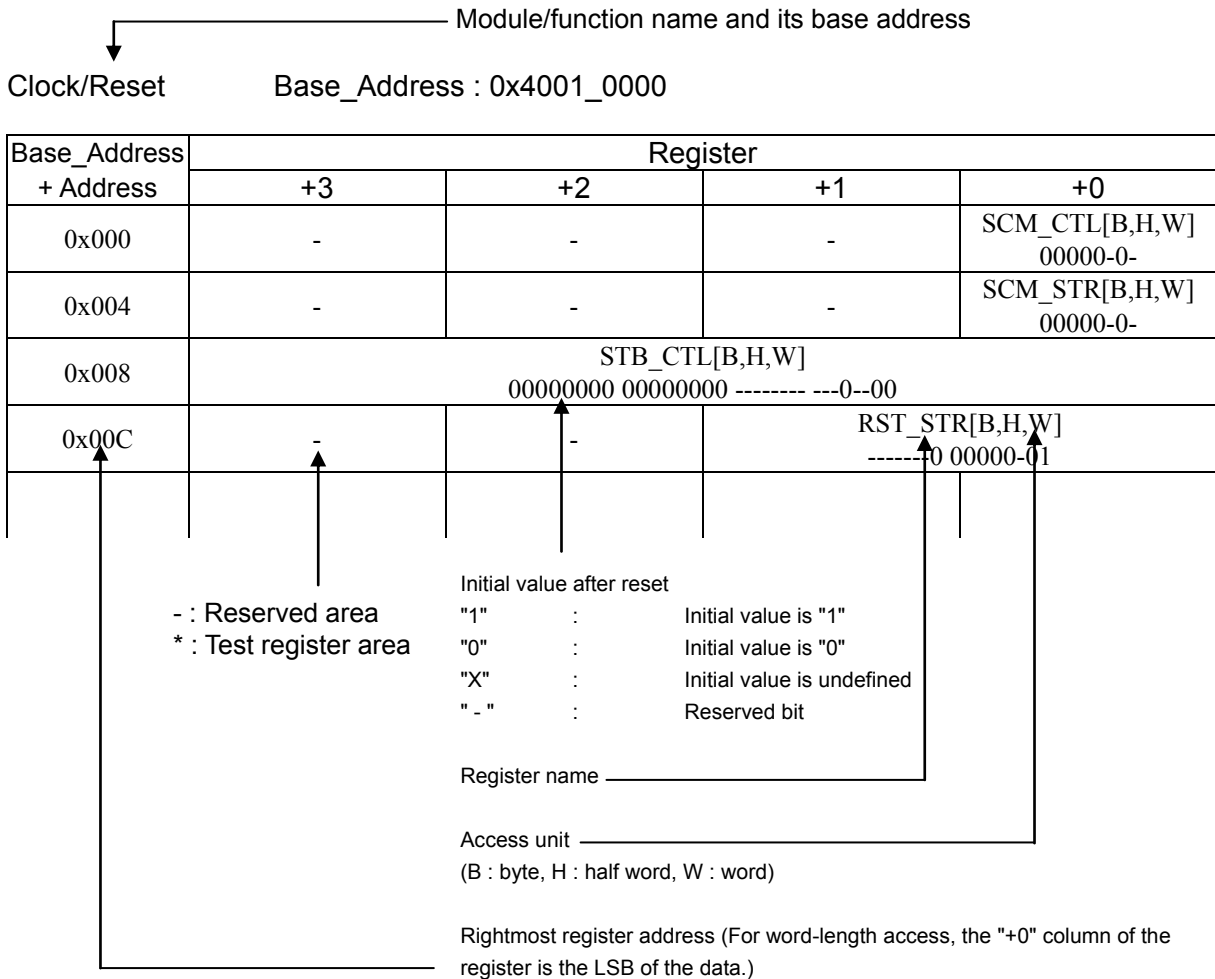
This chapter shows the register map.

1. Register Map

1. Register Map

Register map is shown on the table every module/function.

[How to read the each table]



Notes:

- The register table is represented in the little-endian.
- When performing a data access, the addresses should be as below according to the access size.
 - Word access : Address should be multiples of 4 (least significant 2 bits should be "0x00")
 - Half word access : Address should be multiples of 2 (least significant bit should be "0x0")
 - Byte access : -
- Do not access the test register area.
- Do not access the area that is not written in the register table.

FLASH_IF Base_Address : 0x4000_0000

Base_Address + Address	Register			
	+3	+2	+1	+0
0x000	FASZR[B,H,W]			
0x004	FRWTR[B,H,W]			
0x008	FSTR[B,H,W]			
0x00C	*			
0x010	FSYNDN[B,H,W]			
0x014	FBFCR[B,H,W]			
0x018 - 0x01C	-	-	-	-
0x020	FICR[B,H,W]			
0x024	FISR[B,H,W]			
0x028	FICLR[B,H,W]			
0x02C - 0x0FC	-	-	-	-
0x100	CRTRMM[B,H,W]			
0x104 - 0x1FC	-	-	-	-

Note:

For details of Flash I/F registers, see "FLASH PROGRAMMING MANUAL" of the product used.

Unique ID Base_Address : 0x4000_0200

Base_Address + Address	Register			
	+3	+2	+1	+0
0x000	UIDR0[W] XXXXXXXX XXXXXXXX XXXXXXXX XXXX----			
0x004	UIDR1[W] -----XXXXX XXXXXXXX			
0x008 - 0xDFC	-	-	-	-

ECC Capture Address Base_Address : 0x4000_0300

Base_Address + Address	Register			
	+3	+2	+1	+0
0x000	FERRAD[W] -----XXXXXXXX XXXXXXXX XXXXXXXX			
0x004 - 0xFFC	-	-	-	-

Clock/Reset Base_Address : 0x4001_0000

Base_Address + Address	Register			
	+3	+2	+1	+0
0x000	-	-	-	SCM_CTL[W] 00000-0-
0x004	-	-	-	SCM_STR[W] 00000-0-
0x008	STB_CTL[W] 00000000 00000000 -----0-000			
0x00C	-	-	-	RST_STR[W] -----0 0000--01
0x010	-	-	-	BSC_PSR[W] -----000
0x014	-	-	-	APBC0_PSR[W] -----00
0x018	-	-	-	APBC1_PSR[W] 1--0--00
0x01C	-	-	-	APBC2_PSR[W] 1--0--00
0x020	-	-	-	SWC_PSR[W] X-----00
0x024 – 0x027	-	-	-	-
0x028	-	-	-	TTC_PSR[W] -----00
0x02C – 0x02F	-	-	-	-
0x030	-	-	-	CSW_TMR[W] 00000000
0x034	-	-	-	PSW_TMR[W] ---0-000
0x038	-	-	-	PLL_CTL1[W] 00000000
0x03C	-	-	-	PLL_CTL2[W] --000000
0x040	-	-	-	CSV_CTL[W] -111--00 -----11
0x044	-	-	-	CSV_STR[W] -----00
0x048	-	-	-	FCSWH_CTL[W] 11111111 11111111
0x04C	-	-	-	FCSWL_CTL[W] 00000000 00000000
0x050	-	-	-	FCSWD_CTL[W] 00000000 00000000
0x054	-	-	-	DBWDT_CTL[W] 0-0-----
0x058	-	-	-	*
0x05C - 0x05F	-	-	-	-
0x060	-	-	-	INT_ENR[W] --0--000
0x064	-	-	-	INT_STR[W] --0--000
0x068	-	-	-	INT_CLR[W] --0--000
0x06C – 0xFFC	-	-	-	-

HW WDT Base_Address : 0x4001_1000

Base_Address + Address	Register			
	+3	+2	+1	+0
0x000	WDG_LDR[W] 00000000 00000000 11111111 11111111			
0x004	WDG_VLR[W] XXXXXXXX XXXXXXXX XXXXXXXX XXXXXXXX			
0x008	-	-	-	WDG_CTL[W] -----11
0x00C	-	-	-	WDG_ICL[W] XXXXXXXX
0x010	-	-	-	WDG_RIS[W] -----0
0x014	*			
0x018 – 0xBFC	-	-	-	-
0xC00	WDG_LCK[W] 00000000 00000000 00000000 00000001			
0xC04 – 0xFFC	-	-	-	-

SW WDT Base_Address : 0x4001_2000

Base_Address + Address	Register			
	+3	+2	+1	+0
0x000	WdogLoad[W] 11111111 11111111 11111111 11111111			
0x004	WdogValue[W] 11111111 11111111 11111111 11111111			
0x008	-	-	-	WdogControl[W] ---00000
0x00C	WdogIntClr[W] XXXXXXXX XXXXXXXX XXXXXXXX XXXXXXXX			
0x010	-	-	-	WdogRIS[W] -----0
0x014	*			
0x018	-	-	-	WdogSPMC[W] -----0
0x01C – 0xBFC	-	-	-	-
0xC00	WdogLock[W] 00000000 00000000 00000000 00000000			
0xC04 - 0xDFC	-	-	-	-
0xF00 - 0xF04	*			
0xF08 - 0xFDF	-	-	-	-
0xFE0 - 0xFFC	*			

Dual_Timer Base_Address : 0x4001_5000

Base_Address + Address	Register			
	+3	+2	+1	+0
0x000	Timer1Load[W] 00000000 00000000 00000000 00000000			
0x004	Timer1Value[W] 11111111 11111111 11111111 11111111			
0x008	Timer1Control[W] ----- 00100000			
0x00C	Timer1IntClr[W] XXXXXXXX XXXXXXXX XXXXXXXX XXXXXXXX			
0x010	Timer1RIS[W] -----0			
0x014	Timer1MIS[W] -----0			
0x018	Timer1BGLoad[W] 00000000 00000000 00000000 00000000			
0x020	Timer2Load[W] 00000000 00000000 00000000 00000000			
0x024	Timer2Value[W] 11111111 11111111 11111111 11111111			
0x028	Timer2Control[W] ----- 00100000			
0x02C	Timer2IntClr[W] XXXXXXXX XXXXXXXX XXXXXXXX XXXXXXXX			
0x030	Timer2RIS[W] -----0			
0x034	Timer2MIS[W] -----0			
0x038	Timer2BGLoad[W] 00000000 00000000 00000000 00000000			
0x040 - 0xFFC	-	-	-	-

MFT unit0 Base_Address : 0x4002_0000
MFT unit1 Base_Address : 0x4002_1000
MFT unit2 Base_Address : 0x4002_2000

Base_Address + Address	Register			
	+3	+2	+1	+0
0x100	OCCP0[H,W] 00000000 00000000		-	-
0x104	OCCP1[H,W] 00000000 00000000		-	-
0x108	OCCP2[H,W] 00000000 00000000		-	-
0x10C	OCCP3[H,W] 00000000 00000000		-	-
0x110	OCCP4[H,W] 00000000 00000000		-	-
0x114	OCCP5[H,W] 00000000 00000000		-	-
0x118	-	OCSD10[B,H,W] 00000000	OCSB10[B,H,W] 00000000	OCSA10[B,H,W] 00000000
0x11C	-	OCSD32[B,H,W] 00000000	OCSB32[B,H,W] 00000000	OCSA32[B,H,W] 00000000
0x120	-	OCSD54[B,H,W] 00000000	OCSB54[B,H,W] 00000000	OCSA54[B,H,W] 00000000
0x124	-	-	OCSC[B,H,W] --000000	-
0x128	-	-	OCSE0[B,H,W] 00000000 00000000	
0x12C	OCSE1[B,H,W] 00000000 00000000 00000000 00000000			
0x130	-	-	OCSE2[B,H,W] 00000000 00000000	
0x134	OCSE3[B,H,W] 00000000 00000000 00000000 00000000			
0x138	-	-	OCSE4[B,H,W] 00000000 00000000	
0x13C	OCSE5[B,H,W] 00000000 00000000 00000000 00000000			
0x140	TCCP0[H,W] 11111111 11111111		-	-
0x144	TCDT0[H,W] 00000000 00000000		-	-
0x148	TCSC0[H,W] 00000000 00000000		TCSA0[B,H,W] 00000000 01000000	
0x14C	TCCP1[H,W] 11111111 11111111		-	-
0x150	TCDT1[H,W] 00000000 00000000		-	-
0x154	TCSC1[H,W] 00000000 00000000		TCSA1[B,H,W] 00000000 01000000	
0x158	TCCP2[H,W] 11111111 11111111		-	-
0x15C	TCDT2[H,W] 00000000 00000000		-	-
0x160	TCSC2[H,W] 00000000 00000000		TCSA2[B,H,W] 00000000 01000000	

Base_Address + Address	Register			
	+3	+2	+1	+0
0x164	TCAL[W] 00000000 00000000 11111111 11111111 *1			
	-	-	-	- *2
	*1 MFT unit0 *2 MFT unit1,unit2			
0x168	-	OCFS54[B,H,W] 00000000	OCFS32[B,H,W] 00000000	OCFS10[B,H,W] 00000000
0x16C	-	-	ICFS32[B,H,W] 00000000	ICFS10[B,H,W] 00000000
0x170	-	ACFS54[B,H,W] 00000000	ACFS32[B,H,W] 00000000	ACFS10[B,H,W] 00000000
0x174	ICCP0[H,W] 00000000 00000000		-	-
0x178	ICCP1[H,W] 00000000 00000000		-	-
0x17C	ICCP2[H,W] 00000000 00000000		-	-
0x180	ICCP3[H,W] 00000000 00000000		-	-
0x184	-	-	ICSB10[B,H,W] -----00	ICSA10[B,H,W] 00000000
0x188			ICSB32[B,H,W] -----00	ICSA32[B,H,W] 00000000
0x18C	WFTF10[H,W] 00000000 00000000		-	-
0x190	WFTB10[H,W] 00000000 00000000		WFTA10[H,W] 00000000 00000000	
0x194	WFTF32[H,W] 00000000 00000000		-	-
0x198	WFTB32[H,W] 00000000 00000000		WFTA32[H,W] 00000000 00000000	
0x19C	WFTF54[H,W] 00000000 00000000		-	-
0x1A0	WFTB54[H,W] 00000000 00000000		WFTA54[H,W] 00000000 00000000	
0x1A4	-	-	WFS A10[B,H,W] --000000 000000	
0x1A8	-	-	WFS A32[B,H,W] --000000 000000	
0x1AC	-	-	WFS A54[B,H,W] --000000 000000	
0x1B0	-	-	WFIR[H,W] 00000000 00000000	
0x1B4	-	-	NZCL[H,W] 00000000 00000000	
0x1B8	ACMP0[H,W] 00000000 00000000		-	-
0x1BC	ACMP1[H,W] 00000000 00000000		-	-
0x1C0	ACMP2[H,W] 00000000 00000000		-	-
0x1C4	ACMP3[H,W] 00000000 00000000		-	-

Base_Address + Address	Register			
	+3	+2	+1	+0
0x1C8	ACMP4[H,W] 00000000 00000000		-	-
0x1CC	ACMP5[H,W] 00000000 00000000		-	-
0x1D0	-	-	ACSA[B,H,W] 00000000 00000000	
0x1D4	-	-	ACSD0[B,H,W] 00000000	ACSC0[B,H,W] 00000000
0x1D8	-	-	ACSD1[B,H,W] 00000000	ACSC1[B,H,W] 00000000
0x1DC	-	-	ACSD2[B,H,W] 00000000	ACSC2[B,H,W] 00000000
0x1E0	-	-	ACSD3[B,H,W] 00000000	ACSC3[B,H,W] 00000000
0x1E4	-	-	ACSD4[B,H,W] 00000000	ACSC4[B,H,W] 00000000
0x1E8	-	-	ACSD5[B,H,W] 00000000	ACSC5[B,H,W] 00000000
0x1EC-0xFFC	-	-	-	-

PPG Base_Address : 0x4002_4000

Base_Address + Address	Register			
	+3	+2	+1	+0
0x000	-	-	TTCR0 [B,H,W] 11110000	-
0x004	-	-	-	*
0x008	-	-	COMP0 [B,H,W] 00000000	-
0x00C	-	-	-	COMP2 [B,H,W] 00000000
0x010	-	-	COMP4 [B,H,W] 00000000	-
0x014	-	-	-	COMP6 [B,H,W] 00000000
0x018 - 0x01C	-	-	-	-
0x020	-	-	TTCR1 [B,H,W] 11110000	-
0x024	-	-	-	*
0x028	-	-	COMP1 [B,H,W] 00000000	-
0x02C	-	-	-	COMP3 [B,H,W] 00000000
0x030	-	-	COMP5 [B,H,W] 00000000	-
0x034	-	-	-	COMP7 [B,H,W] 00000000
0x038 - 0x03C	-	-	-	-
0x040	-	-	TTCR2 [B,H,W] 11110000	-
0x044	-	-	-	*
0x048	-	-	COMP8 [B,H,W] 00000000	-
0x04C	-	-	-	COMP10 [B,H,W] 00000000
0x050	-	-	COMP12 [B,H,W] 00000000	-
0x054	-	-	-	COMP14 [B,H,W] 00000000
0x058 - 0x0FC	-	-	-	-
0x100	-	-	TRG0 [B,H,W] 00000000 00000000	
0x104	-	-	REVC0 [B,H,W] 00000000 00000000	
0x108 - 0x13C	-	-	-	-
0x140	-	-	TRG1 [B,H,W] ----- 00000000	
0x144	-	-	REVC1 [B,H,W] ----- 00000000	
0x148 - 0x1FC	-	-	-	-

Base_Address + Address	Register			
	+3	+2	+1	+0
0x200	-	-	PPGC0 [B,H,W] 00000000	PPGC1 [B,H,W] 00000000
0x204	-	-	PPGC2 [B,H,W] 00000000	PPGC3 [B,H,W] 00000000
0x208	-	-	PRLH0 [B,H,W] XXXXXXXXXX	PRL0 [B,H,W] XXXXXXXXXX
0x20C	-	-	PRLH1 [B,H,W] XXXXXXXXXX	PRL1 [B,H,W] XXXXXXXXXX
0x210	-	-	PRLH2 [B,H,W] XXXXXXXXXX	PRL2 [B,H,W] XXXXXXXXXX
0x214	-	-	PRLH3 [B,H,W] XXXXXXXXXX	PRL3 [B,H,W] XXXXXXXXXX
0x218	-	-	-	GATEC0 [B,H,W] --00--00
0x21C - 0x23C	-	-	-	-
0x240	-	-	PPGC4 [B,H,W] 00000000	PPGC5 [B,H,W] 00000000
0x244	-	-	PPGC6 [B,H,W] 00000000	PPGC7 [B,H,W] 00000000
0x248	-	-	PRLH4 [B,H,W] XXXXXXXXXX	PRL4 [B.H,W] XXXXXXXXXX
0x24C	-	-	PRLH5 [B,H,W] XXXXXXXXXX	PRL5 [B,H,W] XXXXXXXXXX
0x250	-	-	PRLH6 [B,H,W] XXXXXXXXXX	PRL6 [B,H,W] XXXXXXXXXX
0x254	-	-	PRLH7 [B,H,W] XXXXXXXXXX	PRL7 [B,H,W] XXXXXXXXXX
0x258	-	-	-	GATEC4 [B,H,W] -----00
0x25C - 0x27C	-	-	-	-
0x280	-	-	PPGC8 [B,H,W] 00000000	PPGC9 [B,H,W] 00000000
0x284	-	-	PPGC10 [B,H,W] 00000000	PPGC11 [B,H,W] 00000000
0x288	-	-	PRLH8 [B,H,W] XXXXXXXXXX	PRL8 [B,H,W] XXXXXXXXXX
0x28C	-	-	PRLH9 [B,H,W] XXXXXXXXXX	PRL9 [B,H,W] XXXXXXXXXX
0x290	-	-	PRLH10 [B,H,W] XXXXXXXXXX	PRL10 [B,H,W] XXXXXXXXXX
0x294	-	-	PRLH11 [B,H,W] XXXXXXXXXX	PRL11 [B,H,W] XXXXXXXXXX
0x298	-	-	-	GATEC8 [B,H,W] --00--00
0x29C - 0x2BC	-	-	-	-
0x2C0	-	-	PPGC12 [B,H,W] 00000000	PPGC13 [B,H,W] 00000000
0x2C4	-	-	PPGC14 [B,H,W] 00000000	PPGC15 [B,H,W] 00000000
0x2C8	-	-	PRLH12 [B,H,W] XXXXXXXXXX	PRL12 [B,H,W] XXXXXXXXXX
0x2CC	-	-	PRLH13 [B,H,W] XXXXXXXXXX	PRL13 [B,H,W] XXXXXXXXXX

Base_Address + Address	Register			
	+3	+2	+1	+0
0x2D0	-	-	PRLH14 [B,H,W] XXXXXXXXXX	PRLL14 [B,H,W] XXXXXXXXXX
0x2D4	-	-	PRLH15 [B,H,W] XXXXXXXXXX	PRLL15 [B,H,W] XXXXXXXXXX
0x2D8	-	-	-	GATEC12 [B,H,W] -----00
0x2DC - 0x2FC	-	-	-	-
0x300	-	-	PPGC16 [B,H,W] 00000000	PPGC17 [B,H,W] 00000000
0x304	-	-	PPGC18 [B,H,W] 00000000	PPGC19 [B,H,W] 00000000
0x308	-	-	PRLH16 [B,H,W] XXXXXXXXXX	PRLL16 [B,H,W] XXXXXXXXXX
0x30C	-	-	PRLH17 [B,H,W] XXXXXXXXXX	PRLL17 [B,H,W] XXXXXXXXXX
0x310	-	-	PRLH18 [B,H,W] XXXXXXXXXX	PRLL18 [B,H,W] XXXXXXXXXX
0x314	-	-	PRLH19 [B,H,W] XXXXXXXXXX	PRLL19 [B,H,W] XXXXXXXXXX
0x318	-	-	-	GATEC16 [B,H,W] --00--00
0x31C - 0x33C	-	-	-	-
0x340	-	-	PPGC20 [B,H,W] 00000000	PPGC21 [B,H,W] 00000000
0x344	-	-	PPGC22 [B,H,W] 00000000	PPGC23 [B,H,W] 00000000
0x348	-	-	PRLH20 [B,H,W] XXXXXXXXXX	PRLL20 [B,H,W] XXXXXXXXXX
0x34C	-	-	PRLH21 [B,H,W] XXXXXXXXXX	PRLL21 [B,H,W] XXXXXXXXXX
0x350	-	-	PRLH22 [B,H,W] XXXXXXXXXX	PRLL22 [B,H,W] XXXXXXXXXX
0x354	-	-	PRLH23 [B,H,W] XXXXXXXXXX	PRLL23 [B,H,W] XXXXXXXXXX
0x358	-	-	-	GATEC20 [B,H,W] -----00
0x35C - 0x37C	-	-	-	-
0x380	-	-	-	-
0x384 - 0xFFC	-	-	-	-

Base Timer ch.0	Base Address : 0x4002_5000
Base Timer ch.1	Base Address : 0x4002_5040
Base Timer ch.2	Base Address : 0x4002_5080
Base Timer ch.3	Base Address : 0x4002_50C0
Base Timer ch.4	Base Address : 0x4002_5200
Base Timer ch.5	Base Address : 0x4002_5240
Base Timer ch.6	Base Address : 0x4002_5280
Base Timer ch.7	Base Address : 0x4002_52C0
Base Timer ch.8	Base Address : 0x4002_5400
Base Timer ch.9	Base Address : 0x4002_5440
Base Timer ch.10	Base Address : 0x4002_5480
Base Timer ch.11	Base Address : 0x4002_54C0
Base Timer ch.12	Base Address : 0x4002_5600
Base Timer ch.13	Base Address : 0x4002_5640
Base Timer ch.14	Base Address : 0x4002_5680
Base Timer ch.15	Base Address : 0x4002_56C0

Base_Address + Address	Register			
	+3	+2	+1	+0
0x000	-	-	PCSR/PRL [H,W] XXXXXXXX XXXXXXXX	
0x004	-	-	PDUT/PRLH/DTBF [H,W] XXXXXXXX XXXXXXXX	
0x008	-	-	TMR [H,W] 00000000 00000000	
0x00C	-	-	TMCR [B,H,W] -0000000 00000000	
0x010	-	-	TMCR2 [B,H,W] 0-----0	STC [B,H,W] 0000-000
0x014 - 0x03C	-	-	-	-

IO Selector for ch.0-ch.3 (Base Timer)

Base Address : 0x4002_5100

Base_Address + Address	Register			
	+3	+2	+1	+0
0x000	-	-	BTSEL0123 [B,H,W] 00000000	-
0x004 - 0x0FC	-	-	-	-

IO Selector for ch.4-ch.7(Base Timer)

Base Address : 0x4002_5300

Base_Address + Address	Register			
	+3	+2	+1	+0
0x000	-	-	BTSEL4567 [B,H,W] 00000000	-
0x004 - 0x0FC	-	-	-	-

IO Selector for ch.8-ch.11(Base Timer)

Base Address : 0x4002_5500

Base_Address + Address	Register			
	+3	+2	+1	+0
0x000	-	-	BTSEL89AB [B,H,W] 00000000	-
0x004 - 0x0FC	-	-	-	-

IO Selector for ch.12-ch.15(Base Timer)

Base Address : 0x4002_5700

Base_Address + Address	Register			
	+3	+2	+1	+0
0x000	-	-	BTSELCDEF [B,H,W] 00000000	-
0x004 - 0x0FC	-	-	-	-

Software-based Simulation Startup(Base Timer)

Base Address : 0x4002_5F00

Base_Address + Address	Register			
	+3	+2	+1	+0
0x000 - 0x0FB	-	-	-	-
0x0FC	-	-	BTSSSR [B,H,W] XXXXXXXX XXXXXXXX	

QPRC ch.0 Base Address : 0x4002_6000
 QPRC ch.1 Base Address : 0x4002_6040
 QPRC ch.2 Base Address : 0x4002_6080
 QPRC ch.3 Base Address : 0x4002_60C0

Base_Address + Address	Register			
	+3	+2	+1	+0
0x0000	-	-	QPCR [H,W] 00000000 00000000	
0x0004	-	-	QRCR [H,W] 00000000 00000000	
0x0008	-	-	QPCCR [H,W] 00000000 00000000	
0x000C	-	-	QPRCR [H,W] 00000000 00000000	
0x0010	-	-	QMPR [H,W] 11111111 11111111	
0x0014	-	-	QICRH [B,H,W] --000000	QICRL [B,H,W] 00000000
0x0018	-	-	QCRH [B,H,W] 00000000	QCRL [B,H,W] 00000000
0x001C	-	-	QECR [B,H,W] -----000	
0x0020 - 0x003B	-	-	-	-
0x003C	QPCRR[B,H,W] 00000000 00000000		QRCRR[B,H,W] 00000000 00000000	

QPRC ch.0 NF Base Address : 0x4002_6100
 QPRC ch.1 NF Base Address : 0x4002_6110
 QPRC ch.2 NF Base Address : 0x4002_6120
 QPRC ch.3 NF Base Address : 0x4002_6130

Base_Address + Address	Register			
	+3	+2	+1	+0
0x0000	-	-	-	NFCTLA[B,H,W] --00-000
0x0004	-	-	-	NFCTLB[B,H,W] --00-000
0x0008	-	-	-	NFCTLZ[B,H,W] --00-000
0x000C	-	-	-	-

12bit A/DC unit0 Base_Address : 0x4002_7000
 12bit A/DC unit1 Base_Address : 0x4002_7100
 12bit A/DC unit2 Base_Address : 0x4002_7200

Base_Address + Address	Register			
	+3	+2	+1	+0
0x000	-	-	ADCR[B,H,W] 000-0000	ADSR[B,H,W] 00---000
0x004	-	-	-	*
0x008	-	-	SCCR[B,H,W] 1000-000	SFNS[B,H,W] ----0000
0x00C	SCFD[B,H,W] XXXXXXXX XXXX---- ---X--XX ---XXXXX			
0x010	-	-	SCIS3[B,H,W] 00000000	SCIS2[B,H,W] 00000000
0x014	-	-	SCIS1[B,H,W] 00000000	SCIS0[B,H,W] 00000000
0x018	-	-	PCCR[B,H,W] 10000000	PFNS[B,H,W] --XX--00
0x01C	PCFD[B,H,W] XXXXXXXX XXXX---- ---X-XXX ---XXXXX			
0x020	-	-	-	PCIS[B,H,W] 00000000
0x024	CMPD[B,H,W] 00000000 00-----		-	CMPCR[B,H,W] 00000000
0x028	-	-	ADSS3[B,H,W] 00000000	ADSS2[B,H,W] 00000000
0x02C	-	-	ADSS1[B,H,W] 00000000	ADSS0[B,H,W] 00000000
0x030	-	-	ADST0[B,H,W] 00010000	ADST1[B,H,W] 00010000
0x034	-	-	-	ADCT[B,H,W] 00000111
0x038	-	-	SCTSL[B,H,W] ----0000	PRTSL[B,H,W] ----0000
0x03C	-	-	ADCEN[B,H,W] 11111111 -----00	
0x040	*			
0x044	-	-	-	WCMRCOT[B,H,W] 00000000
0x048	-	-	-	WCMRCIF[B,H,W] 00000000
0x04C	-	-	WCMPSR[B,H,W] 00000000	WCMPCR[B,H,W] 00100000
0x050	WCMPDH[B,H,W] 00000000 00000000		WCMPDL[B,H,W] 00000000 00000000	
0x040 - 0x0FC	-	-	-	-

CR Trim Base_Address : 0x4002_E000

Base_Address + Address	Register			
	+3	+2	+1	+0
0x000	-	-	-	MCR_PSR[B,H,W] -----001
0x004	-	-	MCR_FTRM[B,H,W] -----01 11101111	
0x008	-	-	-	MCR_TTRM[B,H,W] ---10000
0x00C	MCR_RLR[W] 00000000 00000000 00000000 00000001			
0x010 - 0x0FC	-	-	-	-

EXTI Base_Address : 0x4003_0000

Base_Address + Address	Register			
	+3	+2	+1	+0
0x000	ENIR[B,H,W] 00000000 00000000 00000000 00000000			
0x004	EIRR[B,H,W] XXXXXXXX XXXXXXXX XXXXXXXX XXXXXXXX			
0x008	EICL[B,H,W] 11111111 11111111 11111111 11111111			
0x00C	ELVR[R/W] 00000000 00000000 00000000 00000000			
0x010	ELVR1[R/W] 00000000 00000000 00000000 00000000			
0x014	-	-	-	NMIRR[B,H,W] -----0
0x018	-	-	-	NMICL[B,H,W] -----1
0x01C	-	-	-	-
0x020 - 0x0FC	-	-	-	-

INT-Req. READ Base_Address : 0x4003_1000

Base_Address + Address	Register			
	+3	+2	+1	+0
0x000	DRQSEL[B,H,W] 00000000 00000000 00000000 00000000			
0x004 – 0x00C	-			
0x010	-	-	-	ODDPKS[B] ---00000
0x014	-	-	-	-
0x018	-	*	-	*
0x01C – 0x10C	-	-	-	-
0x110	IRQ003SEL[B,H,W] ----- 00000000 ----- 00000000			
0x114	IRQ004SEL[B,H,W] ----- 00000000 ----- 00000000			
0x118	IRQ005SEL[B,H,W] ----- 00000000 ----- 00000000			
0x11C	IRQ006SEL[B,H,W] ----- 00000000 ----- 00000000			
0x120	IRQ007SEL[B,H,W] ----- 00000000 ----- 00000000			
0x124	IRQ008SEL[B,H,W] ----- 00000000 ----- 00000000			
0x128	IRQ009SEL[B,H,W] ----- 00000000 ----- 00000000			
0x12C	IRQ010SEL[B,H,W] ----- 00000000 ----- 00000000			
0x130 – 0x1FC	-	-	-	-
0x200	EXC02MON[B,H,W] -----00			
0x204	IRQ000MON[B,H,W] -----0			
0x208	IRQ001MON[B,H,W] -----0			
0x20C	IRQ002MON[B,H,W] -----0			
0x210	IRQ003MON[B,H,W] ----- 00000000			
0x214	IRQ004MON[B,H,W] ----- 00000000			
0x218	IRQ005MON[B,H,W] ----- 00000000			
0x21C	IRQ006MON[B,H,W] ----- 00000000			
0x220	IRQ007MON[B,H,W] ----- 00000000			
0x224	IRQ008MON[B,H,W] ----- 00000000			
0x228	IRQ009MON[B,H,W] ----- 00000000			

Base_Address + Address	Register			
	+3	+2	+1	+0
0x22C		IRQ010MON[B,H,W] -----00000000		
0x230		IRQ011MON[B,H,W] -----0		
0x234		IRQ012MON[B,H,W] -----0		
0x238		IRQ013MON[B,H,W] -----0		
0x23C		IRQ014MON[B,H,W] -----0		
0x240		IRQ015MON[B,H,W] -----0		
0x244		IRQ016MON[B,H,W] -----0		
0x248		IRQ017MON[B,H,W] -----0		
0x24C		IRQ018MON[B,H,W] -----0		
0x250		IRQ019MON[B,H,W] -----000000		
0x254		IRQ020MON[B,H,W] -----000000		
0x258		IRQ021MON[B,H,W] -----0000		
0x25C		IRQ022MON[B,H,W] -----0000		
0x260		IRQ023MON[B,H,W] -----0000		
0x264		IRQ024MON[B,H,W] -----000		
0x268		IRQ025MON[B,H,W] -----000		
0x26C		IRQ026MON[B,H,W] -----0000		
0x270		IRQ027MON[B,H,W] -----000000		
0x274		IRQ028MON[B,H,W] -----000		
0x278		IRQ029MON[B,H,W] -----000		
0x27C		IRQ030MON[B,H,W] -----0000		
0x280		IRQ031MON[B,H,W] -----000000		
0x284		IRQ032MON[B,H,W] -----000		
0x288		IRQ033MON[B,H,W] -----000		
0x28C		IRQ034MON[B,H,W] -----00000		
0x290		IRQ035MON[B,H,W] -----000000		
0x294		IRQ036MON[B,H,W] -----000		

Base_Address + Address	Register			
	+3	+2	+1	+0
0x298		IRQ037MON[B,H,W] -----000		
0x29C		IRQ038MON[B,H,W] -----000		
0x2A0		IRQ039MON[B,H,W] -----00		
0x2A4		IRQ040MON[B,H,W] -----00		
0x2A8		IRQ041MON[B,H,W] -----00		
0x2AC		IRQ042MON[B,H,W] -----00		
0x2B0		IRQ043MON[B,H,W] -----00		
0x2B4		IRQ044MON[B,H,W] -----00		
0x2B8		IRQ045MON[B,H,W] -----00		
0x2BC		IRQ046MON[B,H,W] -----00		
0x2C0		IRQ047MON[B,H,W] -----00		
0x2C4		IRQ048MON[B,H,W] -----0		
0x2C8		IRQ049MON[B,H,W] -----0		
0x2CC		IRQ050MON[B,H,W] -----0		
0x2D0		IRQ051MON[B,H,W] -----0		
0x2D4		IRQ052MON[B,H,W] -----0		
0x2D8		IRQ053MON[B,H,W] -----0		
0x2DC		IRQ054MON[B,H,W] -----0		
0x2E0		IRQ055MON[B,H,W] -----0		
0x2E4		IRQ056MON[B,H,W] -----0		
0x2E8		IRQ057MON[B,H,W] -----0		
0x2EC		IRQ058MON[B,H,W] -----0		
0x2F0		IRQ059MON[B,H,W] -----0000		
0x2F4		IRQ060MON[B,H,W] -----0		
0x2F8		IRQ061MON[B,H,W] -----00		
0x2FC		IRQ062MON[B,H,W] -----0		

Base_Address + Address	Register			
	+3	+2	+1	+0
0x300		IRQ063MON[B,H,W] -----00		
0x304		IRQ064MON[B,H,W] -----0		
0x308		IRQ065MON[B,H,W] -----00		
0x30C		IRQ066MON[B,H,W] -----0		
0x310		IRQ067MON[B,H,W] -----00		
0x314		IRQ068MON[B,H,W] -----0		
0x318		IRQ069MON[B,H,W] -----00		
0x31C		IRQ070MON[B,H,W] -----0		
0x320		IRQ071MON[B,H,W] -----00		
0x324		IRQ072MON[B,H,W] -----0		
0x328		IRQ073MON[B,H,W] -----00		
0x32C		IRQ074MON[B,H,W] -----0		
0x330		IRQ075MON[B,H,W] -----00		
0x334		IRQ076MON[B,H,W] -----00000		
0x338		IRQ077MON[B,H,W] -----00000		
0x33C		IRQ078MON[B,H,W] -----00000		
0x340		IRQ079MON[B,H,W] -----000000		
0x344		IRQ080MON[B,H,W] -----0		
0x348		IRQ081MON[B,H,W] -----0		
0x34C		IRQ082MON[B,H,W] -----000		
0x350		IRQ083MON[B,H,W] -----0		
0x354		IRQ084MON[B,H,W] -----0		
0x358		IRQ085MON[B,H,W] -----0		
0x35C		IRQ086MON[B,H,W] -----0		
0x360		IRQ087MON[B,H,W] -----0		
0x364		IRQ088MON[B,H,W] -----0		
0x368		IRQ089MON[B,H,W] -----0		

Base_Address + Address	Register			
	+3	+2	+1	+0
0x36C		IRQ090MON[B,H,W] -----0		
0x370		IRQ091MON[B,H,W] -----00		
0x374		IRQ092MON[B,H,W] -----0000		
0x378		IRQ093MON[B,H,W] -----0000		
0x37C		IRQ094MON[B,H,W] -----0000		
0x380		IRQ095MON[B,H,W] -----0000		
0x384		IRQ096MON[B,H,W] -----000000		
0x388		IRQ097MON[B,H,W] -----000000		
0x38C		IRQ098MON[B,H,W] -----00		
0x390		IRQ099MON[B,H,W] -----00		
0x394		IRQ100MON[B,H,W] -----00		
0x398		IRQ101MON[B,H,W] -----00		
0x39C		IRQ102MON[B,H,W] -----00		
0x3A0		IRQ103MON[B,H,W] -----0		
0x3A4		IRQ104MON[B,H,W] -----00		
0x3A8		IRQ105MON[B,H,W] -----0		
0x3AC		IRQ106MON[B,H,W] -----00		
0x3B0		IRQ107MON[B,H,W] -----0		
0x3B4		IRQ108MON[B,H,W] -----00		
0x3B8		IRQ109MON[B,H,W] -----0		
0x3BC		IRQ110MON[B,H,W] -----00		
0x3C0		IRQ111MON[B,H,W] -----00000		
0x3C4	-	-	-	-
0x3C8		IRQ113MON[B,H,W] -----00000		
0x3CC		IRQ114MON[B,H,W] -----000000		
0x3D0 – 0x3D8	-	-	-	-
0x3DC		IRQ118MON[B,H,W] -----00		
0x3E0		IRQ119MON[B,H,W] -----0		

Base_Address + Address	Register			
	+3	+2	+1	+0
0x3E4	IRQ120MON[B,H,W] -----0			
0x3E8	IRQ121MON[B,H,W] -----00			
0x3EC	IRQ122MON[B,H,W] -----0			
0x3F0	IRQ123MON[B,H,W] -----00			
0x3F4	IRQ124MON[B,H,W] -----0			
0x3F8	IRQ125MON[B,H,W] -----00			
0x3FC	IRQ126MON[B,H,W] -----0			
0x400	IRQ127MON[B,H,W] -----00			
0x404 – 0xFFC	-	-	-	-

12bit D/AC unit0 Base_Address : 0x4003_3000
12bit D/AC unit1 Base_Address : 0x4003_3008

Base_Address + Address	Register			
	+3	+2	+1	+0
0x000	-	-	-	DACR[B,H,W] --00--00
0x004	-	-	DADR[H,W] ----XXXX XXXXXXXX	
0x010 – 0xFFC	-	-	-	-

GPIO Base_Address : 0x4006_F00

Base_Address + Address	Register			
	+3	+2	+1	+0
0x000	PFR0[B,H,W] ----- 0000 0000 0001 1111			
0x004	PFR1[B,H,W] ----- 0000 0000 0000 0000			
0x008	PFR2[B,H,W] ----- 0000 0000 0000 0000			
0x00C	PFR3[B,H,W] ----- 0000 0000 0000 0000			
0x010	PFR4[B,H,W] ----- 0000 0000 0000 0000			
0x014	PFR5[B,H,W] ----- 0000 0000 0000 0000			
0x018	PFR6[B,H,W] ----- 0000 0000 0000 0000			
0x01C	PFR7[B,H,W] ----- 0000 0000 0000 0000			
0x020	PFR8[B,H,W] ----- 0000 0000 0000 0000			
0x024	PFR9[B,H,W] ----- 0000 0000 0000 0000			
0x028	PFRA[B,H,W] ----- 0000 0000 0000 0000			
0x02C	PFRB[B,H,W] ----- 0000 0000 0000 0000			
0x030	PFRC[B,H,W] ----- 0000 0000 0000 0000			
0x034	PFRD[B,H,W] ----- 0000 0000 0000 0000			
0x038	PFRE[B,H,W] ----- 0000 0000 0000 0000			
0x03C	PFRF[B,H,W] ----- 0000 0000 0000 0000			
0x040 - 0x0FC	-	-	-	-

Base_Address + Address	Register			
	+3	+2	+1	+0
0x100	PCR0[B,H,W] ----- 0000 0000 0001 1111			
0x104	PCR1[B,H,W] ----- 0000 0000 0000 0000			
0x108	PCR2[B,H,W] ----- 0000 0000 0000 0000			
0x10C	PCR3[B,H,W] ----- 0000 0000 0000 0000			
0x110	PCR4[B,H,W] ----- 0000 0000 0000 0000			
0x114	PCR5[B,H,W] ----- 0000 0000 0000 0000			
0x118	PCR6[B,H,W] ----- 0000 0000 0000 0000			
0x11C	PCR7[B,H,W] ----- 0000 0000 0000 0000			
0x120	-			
0x124	PCR9[B,H,W] ----- 0000 0000 0000 0000			
0x128	PCRA[B,H,W] ----- 0000 0000 0000 0000			
0x12C	PCRB[B,H,W] ----- 0000 0000 0000 0000			
0x130	PCRC[B,H,W] ----- 0000 0000 0000 0000			
0x134	PCRD[B,H,W] ----- 0000 0000 0000 0000			
0x138	PCRE[B,H,W] ----- 0000 0000 0000 0000			
0x13C	PCRF[B,H,W] ----- 0000 0000 0000 0000			
0x140 – 0x1FC	-			

Base_Address + Address	Register			
	+3	+2	+1	+0
0x200	DDR0[B,H,W] ----- 0000 0000 0000 0000			
0x204	DDR1[B,H,W] ----- 0000 0000 0000 0000			
0x208	DDR2[B,H,W] ----- 0000 0000 0000 0000			
0x20C	DDR3[B,H,W] ----- 0000 0000 0000 0000			
0x210	DDR4[B,H,W] ----- 0000 0000 0000 0000			
0x214	DDR5[B,H,W] ----- 0000 0000 0000 0000			
0x218	DDR6[B,H,W] ----- 0000 0000 0000 0000			
0x21C	DDR7[B,H,W] ----- 0000 0000 0000 0000			
0x220	DDR8[B,H,W] ----- 0000 0000 0000 0000			
0x224	DDR9[B,H,W] ----- 0000 0000 0000 0000			
0x228	DDRA[B,H,W] ----- 0000 0000 0000 0000			
0x22C	DDR[B,H,W] ----- 0000 0000 0000 0000			
0x230	DDRC[B,H,W] ----- 0000 0000 0000 0000			
0x234	DDRD[B,H,W] ----- 0000 0000 0000 0000			
0x238	DDRE[B,H,W] ----- 0000 0000 0000 0000			
0x23C	DDR[F,B,H,W] ----- 0000 0000 0000 0000			
0x240 - 0x2FC	-	-	-	-

Base_Address + Address	Register			
	+3	+2	+1	+0
0x300	PDIR0[B,H,W] ----- 0000 0000 0000 0000			
0x304	PDIR1[B,H,W] ----- 0000 0000 0000 0000			
0x308	PDIR2[B,H,W] ----- 0000 0000 0000 0000			
0x30C	PDIR3[B,H,W] ----- 0000 0000 0000 0000			
0x310	PDIR4[B,H,W] ----- 0000 0000 0000 0000			
0x314	PDIR5[B,H,W] ----- 0000 0000 0000 0000			
0x318	PDIR6[B,H,W] ----- 0000 0000 0000 0000			
0x31C	PDIR7[B,H,W] ----- 0000 0000 0000 0000			
0x320	PDIR8[B,H,W] ----- 0000 0000 0000 0000			
0x324	PDIR9[B,H,W] ----- 0000 0000 0000 0000			
0x328	PDIRA[B,H,W] ----- 0000 0000 0000 0000			
0x32C	PDIRB[B,H,W] ----- 0000 0000 0000 0000			
0x330	PDIRC[B,H,W] ----- 0000 0000 0000 0000			
0x334	PDIRD[B,H,W] ----- 0000 0000 0000 0000			
0x338	PDIRE[B,H,W] ----- 0000 0000 0000 0000			
0x33C	PDIRF[B,H,W] ----- 0000 0000 0000 0000			
0x340 - 0x3FC	-	-	-	-

Base_Address + Address	Register			
	+3	+2	+1	+0
0x400	PDOR0[B,H,W] ----- 0000 0000 0000 0000			
0x404	PDOR1[B,H,W] ----- 0000 0000 0000 0000			
0x408	PDOR2[B,H,W] ----- 0000 0000 0000 0000			
0x40C	PDOR3[B,H,W] ----- 0000 0000 0000 0000			
0x410	PDOR4[B,H,W] ----- 0000 0000 0000 0000			
0x414	PDOR5[B,H,W] ----- 0000 0000 0000 0000			
0x418	PDOR6[B,H,W] ----- 0000 0000 0000 0000			
0x41C	PDOR7[B,H,W] ----- 0000 0000 0000 0000			
0x420	PDOR8[B,H,W] ----- 0000 0000 0000 0000			
0x424	PDOR9[B,H,W] ----- 0000 0000 0000 0000			
0x428	PDORA[B,H,W] ----- 0000 0000 0000 0000			
0x42C	PDORB[B,H,W] ----- 0000 0000 0000 0000			
0x430	PDORC[B,H,W] ----- 0000 0000 0000 0000			
0x434	PDORD[B,H,W] ----- 0000 0000 0000 0000			
0x438	PDORE[B,H,W] ----- 0000 0000 0000 0000			
0x43C	PDORF[B,H,W] ----- 0000 0000 0000 0000			
0x440 - 0x4FC	-	-	-	-
0x500	ADE[B,H,W] 1111 1111 1111 1111 1111 1111 1111 1111			
0x504 - 0x57C	-	-	-	-
0x580	SPSR[B,H,W] ----- --00 01--			
0x584 - 0x5FC	-	-	-	-

Base_Address + Address	Register			
	+3	+2	+1	+0
0x600	EPFR00[B,H,W] ---- --00 ---- --11 --0- --0- 0000 --00			
0x604	EPFR01[B,H,W] 0000 0000 0000 0000 ---0 0000 0000 0000			
0x608	EPFR02[B,H,W] 0000 0000 0000 0000 ---0 0000 0000 0000			
0x60C	EPFR03[B,H,W] 0000 0000 0000 0000 ---0 0000 0000 0000			
0x610	EPFR04[B,H,W] --00 0000 --00 00-- --00 0000 -000 00--			
0x614	EPFR05[B,H,W] --00 0000 --00 00-- --00 0000 --00 00--			
0x618	EPFR06[B,H,W] 0000 0000 0000 0000 0000 0000 0000 0000			
0x61C	EPFR07[B,H,W] 0000 0000 0000 0000 0000 0000 0000 ----			
0x620	EPFR08[B,H,W] 0000 0000 0000 0000 0000 0000 0000 0000			
0x624	EPFR09[B,H,W] 0000 0000 0000 0000 0000 0000 0000 0000			
0x628	EPFR10[B,H,W] 0000 0000 0000 0000 0000 0000 0000 0000			
0x62C	EPFR11[B,H,W] ---- --00 0000 0000 0000 0000 0000 0000			
0x630	EPFR12[B,H,W] --00 0000 --00 00-- --00 0000 --00 00--			
0x634	EPFR13[B,H,W] --00 0000 --00 00-- --00 0000 --00 00--			
0x638	EPFR14[B,H,W] --00 0000 0000 00-- ---- ---- --00 0000			
0x63C	EPFR15[B,H,W] 0000 0000 0000 0000 0000 0000 0000 0000			
0x640	EPFR16[B,H,W] --00 0000 0000 0000 0000 0000 0000 0000			
0x644	EPFR17[B,H,W] ---- 0000 0000 0000 0000 0000 0000 ----			
0x648	EPFR18[B,H,W] --00 0000 0000 0000 00-- --00 0000 ----			
0x64C	EPFR19[B,H,W] -----			
0x650	EPFR20[B,H,W] ---- ---0 0000 0000 0000 0000 0000 0000			
0x654 – 0x6FC	-	-	-	-

Base_Address + Address	Register			
	+3	+2	+1	+0
0x700	PZR0[B,H,W] ----- 0000 0000 0000 0000			
0x704	PZR1[B,H,W] ----- 0000 0000 0000 0000			
0x708	PZR2[B,H,W] ----- 0000 0000 0000 0000			
0x70C	PZR3[B,H,W] ----- 0000 0000 0000 0000			
0x710	PZR4[B,H,W] ----- 0000 0000 0000 0000			
0x714	PZR5[B,H,W] ----- 0000 0000 0000 0000			
0x718	PZR6[B,H,W] ----- 0000 0000 0000 0000			
0x71C	PZR7[B,H,W] ----- 0000 0000 0000 0000			
0x720	PZR8[B,H,W] ----- 0000 0000 0000 0000			
0x724	PZR9[B,H,W] ----- 0000 0000 0000 0000			
0x728	PZRA[B,H,W] ----- 0000 0000 0000 0000			
0x72C	PZRB[B,H,W] ----- 0000 0000 0000 0000			
0x730	PZRC[B,H,W] ----- 0000 0000 0000 0000			
0x734	PZRD[B,H,W] ----- 0000 0000 0000 0000			
0x738	PZRE[B,H,W] ----- 0000 0000 0000 0000			
0x73C	PZRF[B,H,W] ----- 0000 0000 0000 0000			
0x740 - 0xEFC	-	-	-	-
0xF00 - 0xF04	*			
0xF08 - 0xFDC	-	-	-	-
0xFE0	*			
0xFE4 - 0xFFC	-	-	-	-

LVD Base_Address : 0x4003_5000

Base_Address + Address	Register			
	+3	+2	+1	+0
0x000	-	-	-	LVD_CTL[B,H,W] 000111--
0x004	-	-	-	LVD_STR[B,H,W] 0-----
0x008	-	-	-	LVD_CLR[B,H,W] 1-----
0x00C	LVD_RLR[W] 00000000 00000000 00000000 00000001			
0x010	-	-	-	LVD_STR2 [B,H,W] 0-----
0x014 - 0x0FC	-	-	-	-

DS_Mode Base_Address : 0x4003_5100

Base_Address + Address	Register			
	+3	+2	+1	+0
0x000	-	-	-	*
0x004	-	-	-	RCK_CTL[B,H,W] -----01
0x008 - 0x6FC	-	-	-	-
0x700	-	-	-	PMD_CTL[B,H,W] -----0
0x704	-	-	-	WRFSR[B,H,W] -----00
0x708	-	-	-	WIFSR[B,H,W] -----00 00000000
0x70C	-	-	-	WIER[B,H,W] -----00 00000-00
0x710	-	-	-	WILVR[B,H,W] ---00000
0x714	-	-	-	DSRAMR[B,H,W] -----00
0x718 - 0x7FC	-	-	-	-
0x800	BUR04[B,H,W] 00000000	BUR03[B,H,W] 00000000	BUR02[B,H,W] 00000000	BUR01[B,H,W] 00000000
0x804	BUR08[B,H,W] 00000000	BUR07[B,H,W] 00000000	BUR06[B,H,W] 00000000	BUR05[B,H,W] 00000000
0x808	BUR12[B,H,W] 00000000	BUR11[B,H,W] 00000000	BUR10[B,H,W] 00000000	BUR09[B,H,W] 00000000
0x80C	BUR16[B,H,W] 00000000	BUR15[B,H,W] 00000000	BUR14[B,H,W] 00000000	BUR13[B,H,W] 00000000
0x810 - 0xEFC	-	-	-	-

USB Clock Base_Address : 0x4003_6000

Base_Address + Address	Register			
	+3	+2	+1	+0
0x000	-	-	-	UCCR[B,H,W] -0000000
0x004	-	-	-	UPCR1[B,H,W] -----00
0x008	-	-	-	UPCR2[B,H,W] -----000
0x00C	-	-	-	UPCR3[B,H,W] ---00000
0x010	-	-	-	UPCR4[B,H,W] -0111011
0x014	-	-	-	UP_STR[B,H,W] -----0
0x018	-	-	-	UPINT_ENR[B,H,W] -----0
0x01C	-	-	-	UPINT_CLR[B,H,W] -----0
0x020	-	-	-	UPINT_STR[B,H,W] -----0
0x024	-	-	-	UPCR5[B,H,W] ----0100
0x028	-	-	-	UPCR6[B,H,W] ----0010
0x02C	-	-	-	UPCR7[B,H,W] -----0
0x030	-	-	-	USBEN0[B,H,W] -----0
0x034	-	-	-	USBEN1[B,H,W] -----0
0x038 - 0x0FC	-	-	-	-

CAN_Prescaler Base_Address : 0x4003_7000

Base_Address + Address	Register			
	+3	+2	+1	+0
0x000	-	-	-	CANPRE[B,H,W] ----1011
0x004 - 0xFFC	-	-	-	-

MFS

MFS ch.0	Base_Address : 0x4003_8000
MFS ch.1	Base_Address : 0x4003_8100
MFS ch.2	Base_Address : 0x4003_8200
MFS ch.3	Base_Address : 0x4003_8300
MFS ch.4	Base_Address : 0x4003_8400
MFS ch.5	Base_Address : 0x4003_8500
MFS ch.6	Base_Address : 0x4003_8600
MFS ch.7	Base_Address : 0x4003_8700
MFS ch.8	Base_Address : 0x4003_8800
MFS ch.9	Base_Address : 0x4003_8900
MFS ch.10	Base_Address : 0x4003_8A00
MFS ch.11	Base_Address : 0x4003_8B00
MFS ch.12	Base_Address : 0x4003_8C00
MFS ch.13	Base_Address : 0x4003_8D00
MFS ch.14	Base_Address : 0x4003_8E00
MFS ch.15	Base_Address : 0x4003_8F00

Base_Address + Address	Register			
	+3	+2	+1	+0
0x000	-	-	SCR / IBCR[B,H,W] 0--0000	SMR[B,H,W] 000-00-0
0x004	-	-	SSR[B,H,W] 0-00011	ESCR / IBSR[B,H,W] 0000000
0x008	-	-	RDR/TDR[H,W] 00000000 00000000	
0x00C	-	-	BGR1[B,H,W] 00000000	BGR0[B,H,W] 00000000
0x010	-	-	ISMK[B,H,W] -----	ISBA[B,H,W] -----
0x014	-	-	FCR1[B,H,W] ---00100	FCR0[B,H,W] -0000000
0x018	-	-	FBYTE2[B,H,W] 00000000	FBYTE1[B,H,W] 00000000
0x01C	-	-	SCSTR1/ EIBCR[B,H,W] 00000000	SCSTR0/ NFCR[B,H,W] 00000000
0x020	-	-	SCSTR3[B,H,W] 00000000	SCSTR2[B,H,W] 00000000
0x024	-	-	SACSR1[B,H,W] 00000000	SACSR0[B,H,W] 00000000
0x028	-	-	STM1[B,H,W] 00000000	STM0[B,H,W] 00000000

Base_Address + Address	Register			
	+3	+3	+3	+3
0x02C	-	-	STMCR1[B,H,W] 00000000	STMCR0[B,H,W] 00000000
0x030	-	-	SCSCR1[B,H,W] 00000000	SCSCR0[B,H,W] 00100000
0x034	-	-	SCSFR1[B,H,W] 10000000	SCSFR0[B,H,W] 10000000
0x038	-	-	-	SCSFR2[B,H,W] 10000000
0x03C	-	-	TBYTE1[B,H,W] 00000000	TBYTE0[B,H,W] 00000000
0x040	-	-	TBYTE3[B,H,W] 00000000	TBYTE2[B,H,W] 00000000
0x0144 - 0x1FC	-	-	-	-

CRC Base_Address : 0x4003_9000

Base_Address + Address	Register			
	+3	+2	+1	+0
0x000	-	-	-	CRCCR[B,H,W] -0000000
0x004	CRCINIT[B,H,W] 11111111 11111111 11111111 11111111			
0x008	CRCIN[B,H,W] 00000000 00000000 00000000 00000000			
0x00C	CRCR[B,H,W] 11111111 11111111 11111111 11111111			

Watch Counter Base_Address : 0x4003_A000

Base_Address + Address	Register			
	+3	+2	+1	+0
0x000	-	WCCR[B,H,W] 00--0000	WCRL[B,H,W] --000000	WCRD[B,H,W] --000000
0x004 - 0x00C	-	-	-	-
0x010	-	-	CLK_SEL[B,H,W] -----000 -----0	
0x014	-	-	-	CLK_EN[B,H,W] -----00
0x018 - 0xFFC	-	-	-	-

RTC Base_Address : 0x4003_B000

Base_Address + Address	Register			
	+3	+2	+1	+0
0x100	-	-	-	WTCR10[B,H,W] 00000000
0x104	-	-	-	WTCR11[B,H,W] ---00000
0x108	-	-	-	WTCR12[B,H,W] 00000000
0x10C	-	-	-	WTCR13[B,H,W] 00000000
0x110	-	-	-	WTCR20[B,H,W] --000000
0x114	-	-	-	WTCR21[B,H,W] -----000
0x118	-	-	-	*
0x11C	-	-	-	WTSR[B,H,W] -0000000
0x120	-	-	-	WTMIR[B,H,W] -0000000
0x124	-	-	-	WTHR[B,H,W] --000000
0x128	-	-	-	WTDR[B,H,W] --000000
0x12C	-	-	-	WTDW[B,H,W] -----000
0x130	-	-	-	WTMOR[B,H,W] --000000
0x134	-	-	-	WTYR[B,H,W] 00000000
0x138	-	-	-	ALMIR[B,H,W] -0000000
0x13C	-	-	-	ALHR[B,H,W] --000000
0x140	-	-	-	ALDR[B,H,W] --000000
0x144	-	-	-	ALMOR[B,H,W] ---00000
0x148	-	-	-	ALYR[B,H,W] 00000000
0x14C	-	-	-	WTTR0[B,H,W] 00000000
0x150	-	-	-	WTTR1[B,H,W] 00000000
0x154	-	-	-	WTTR2[B,H,W] -----00
0x158	-	-	-	WTCAL0[B,H,W] 00000000
0x15C	-	-	-	WTCAL1[B,H,W] -----00
0x160	-	-	-	WTCALEN[B,H,W] -----0
0x164	-	-	-	WTDIV[B,H,W] ----0000
0x168	-	-	-	WTDIVEN[B,H,W] -----00

Base_Address + Address	Register			
	+3	+2	+1	+0
0x16C	-	-	-	WTCALPRD[B,H,W] --010011
0x170	-	-	-	WTCOSEL[B,H,W] -----0
0x174	-	-	-	VB_DIVCLK[B,H,W] 00000111
0x178	-	-	-	WTOSCCNT[B,H,W] -----01
0x17C	-	-	-	CCS[B,H,W] 00000000
0x180	-	-	-	CCB[B,H,W] 00000000
0x184	-	-	-	TRIM[B,H,W] 00000000
0x188	-	-	-	BOOST[B,H,W] -----11
0x18C	-	-	-	EWKUP[B,H,W] -----0
0x190	-	-	-	VDET[B,H,W] 00-----
0x194	-	-	-	FDET[B,H,W] 0-----
0x198	-	-	-	HIBRST[B,H,W] -----0
0x19C	-	-	-	VBPFR[B,H,W] --011100
0x1A0	-	-	-	VBPCR[B,H,W] ----0000
0x1A4	-	-	-	VBDDR[B,H,W] ----0000
0x1A8	-	-	-	VBDIR[B,H,W] ----0000
0x1AC	-	-	-	VBDOR[B,H,W] ----1111
0x0B0	-	-	-	VPZR[B,H,W] -----11
0x1B4-1FF	-	-	-	-

Base_Address + Address	Register			
	+3	+2	+1	+0
0x200	BREG03[B,H,W] 00000000	BREG02[B,H,W] 00000000	BREG01[B,H,W] 00000000	BREG00[B,H,W] 00000000
0x204	BREG07[B,H,W] 00000000	BREG06[B,H,W] 00000000	BREG05[B,H,W] 00000000	BREG04[B,H,W] 00000000
0x208	BREG0B[B,H,W] 00000000	BREG0A[B,H,W] 00000000	BREG09[B,H,W] 00000000	BREG08[B,H,W] 00000000
0x20C	BREG0F[B,H,W] 00000000	BREG0E[B,H,W] 00000000	BREG0D[B,H,W] 00000000	BREG0C[B,H,W] 00000000
0x210	BREG13[B,H,W] 00000000	BREG12[B,H,W] 00000000	BREG11[B,H,W] 00000000	BREG10[B,H,W] 00000000
0x214	BREG17[B,H,W] 00000000	BREG16[B,H,W] 00000000	BREG15[B,H,W] 00000000	BREG14[B,H,W] 00000000
0x218	BREG1B[B,H,W] 00000000	BREG1A[B,H,W] 00000000	BREG19[B,H,W] 00000000	BREG18[B,H,W] 00000000
0x21C	BREG1F[B,H,W] 00000000	BREG1E[B,H,W] 00000000	BREG1D[B,H,W] 00000000	BREG1C[B,H,W] 00000000
0x220	BREG23[B,H,W] 00000000	BREG22[B,H,W] 00000000	BREG21[B,H,W] 00000000	BREG20[B,H,W] 00000000
0x224	BREG27[B,H,W] 00000000	BREG26[B,H,W] 00000000	BREG25[B,H,W] 00000000	BREG24[B,H,W] 00000000
0x228	BREG2B[B,H,W] 00000000	BREG2A[B,H,W] 00000000	BREG29[B,H,W] 00000000	BREG28[B,H,W] 00000000
0x22C	BREG2F[B,H,W] 00000000	BREG2E[B,H,W] 00000000	BREG2D[B,H,W] 00000000	BREG2C[B,H,W] 00000000
0x230	BREG33[B,H,W] 00000000	BREG32[B,H,W] 00000000	BREG31[B,H,W] 00000000	BREG30[B,H,W] 00000000
0x234	BREG37[B,H,W] 00000000	BREG36[B,H,W] 00000000	BREG35[B,H,W] 00000000	BREG34[B,H,W] 00000000
0x238	BREG3B[B,H,W] 00000000	BREG3A[B,H,W] 00000000	BREG39[B,H,W] 00000000	BREG38[B,H,W] 00000000
0x23C	BREG3F[B,H,W] 00000000	BREG3E[B,H,W] 00000000	BREG3D[B,H,W] 00000000	BREG3C[B,H,W] 00000000
0x240	BREG43[B,H,W] 00000000	BREG42[B,H,W] 00000000	BREG41[B,H,W] 00000000	BREG40[B,H,W] 00000000
0x244	BREG47[B,H,W] 00000000	BREG46[B,H,W] 00000000	BREG45[B,H,W] 00000000	BREG44[B,H,W] 00000000
0x248	BREG4B[B,H,W] 00000000	BREG4A[B,H,W] 00000000	BREG49[B,H,W] 00000000	BREG48[B,H,W] 00000000
0x24C	BREG4F[B,H,W] 00000000	BREG4E[B,H,W] 00000000	BREG4D[B,H,W] 00000000	BREG4C[B,H,W] 00000000
0x250	BREG53[B,H,W] 00000000	BREG52[B,H,W] 00000000	BREG51[B,H,W] 00000000	BREG50[B,H,W] 00000000
0x254	BREG57[B,H,W] 00000000	BREG56[B,H,W] 00000000	BREG55[B,H,W] 00000000	BREG54[B,H,W] 00000000
0x258	BREG5B[B,H,W] 00000000	BREG5A[B,H,W] 00000000	BREG59[B,H,W] 00000000	BREG58[B,H,W] 00000000
0x25C	BREG5F[B,H,W] 00000000	BREG5E[B,H,W] 00000000	BREG5D[B,H,W] 00000000	BREG5C[B,H,W] 00000000
0x260	BREG63[B,H,W] 00000000	BREG62[B,H,W] 00000000	BREG61[B,H,W] 00000000	BREG60[B,H,W] 00000000
0x264	BREG67[B,H,W] 00000000	BREG66[B,H,W] 00000000	BREG65[B,H,W] 00000000	BREG64[B,H,W] 00000000

Base_Address + Address	Register			
	+3	+2	+1	+0
0x268	BREG6B[B,H,W] 00000000	BREG6A[B,H,W] 00000000	BREG69[B,H,W] 00000000	BREG68[B,H,W] 00000000
0x26C	BREG6F[B,H,W] 00000000	BREG6E[B,H,W] 00000000	BREG6D[B,H,W] 00000000	BREG6C[B,H,W] 00000000
0x270	BREG73[B,H,W] 00000000	BREG72[B,H,W] 00000000	BREG71[B,H,W] 00000000	BREG70[B,H,W] 00000000
0x274	BREG77[B,H,W] 00000000	BREG76[B,H,W] 00000000	BREG75[B,H,W] 00000000	BREG74[B,H,W] 00000000
0x278	BREG7B[B,H,W] 00000000	BREG7A[B,H,W] 00000000	BREG79[B,H,W] 00000000	BREG78[B,H,W] 00000000
0x27C	BREG7F[B,H,W] 00000000	BREG7E[B,H,W] 00000000	BREG7D[B,H,W] 00000000	BREG7C[B,H,W] 00000000
0x280-0xFFC	-	-	-	-

Low-speed CR Prescaler Base_Address : 0x4003_C000

Base_Address + Address	Register			
	+3	+2	+1	+0
0x000	-	-	-	LCR_PRSLD[B,H,W], --000000
0x004 – 0x0FC	-	-	-	-

Peripheral Clock Gating

Base_Address : 0x4003_C100

Base_Address + Address	Register			
	+3	+2	+1	+0
0x000	CKEN0[B,H,W] ---1-1-1 ----1111 11111111 11111111			
0x004	MRST0[B,H,W] -----0-0 ----0000 00000000 00000000			
0x008 – 0x00F	-	-	-	-
0x010	CKEN1[B,H,W] ----- ----1111 ----1111 ----1111			
0x014	MRST1[B,H,W] ----- ----0000 ----0000 ----0000			
0x018 – 0x01F	-	-	-	-
0x020	CKEN2[B,H,W] -----0 --*--00 Products with CAN : *="1" Products without CAN : *="0"			
0x024	MRST2[B,H,W] -----0 --00--00			
0x028 – 0x67C	-	-	-	-

Main PLL Control Base_Address : 0x4003_C800

Base_Address + Address	Register			
	+3	+2	+1	+0
0x000	SSCTL1[B,H,W] -----00---0			
0x004	SSCTL2[B,H,W] -----00 00000000			
0x008 – 0x0FC	-	-	-	-

EXT-Bus I/F Base_Address : 0x4003_F000

Base_Address + Address	Register			
	+3	+2	+1	+0
0x0000	MODE0[W] ----- --000-00 00000000			
0x0004	MODE1[W] ----- --000-00 00000000			
0x0008	MODE2[W] ----- --000-00 00000000			
0x000C	MODE3[W] ----- --000-00 00000000			
0x0010	MODE4[W] ----- --000-00 00000001			
0x0014	MODE5[W] ----- --000-00 00000000			
0x0018	MODE6[W] ----- --000-00 00000000			
0x001C	MODE7[W] ----- --000-00 00000000			
0x0020	TIM0[W] 00000101 01011111 11110000 00001111			
0x0024	TIM1[W] 00000101 01011111 11110000 00001111			
0x0028	TIM2[W] 00000101 01011111 11110000 00001111			
0x002C	TIM3[W] 00000101 01011111 11110000 00001111			
0x0030	TIM4[W] 00000101 01011111 11110000 00001111			
0x0034	TIM5[W] 00000101 01011111 11110000 00001111			
0x0038	TIM6[W] 00000101 01011111 11110000 00001111			
0x003C	TIM7[W] 00000101 01011111 11110000 00001111			

Base_Address + Address	Register			
	+3	+2	+1	+0
0x0040	AREA0[W] -----0001111 ----- 00000000			
0x0044	AREA1[W] -----0001111 ----- 00010000			
0x0048	AREA2[W] -----0001111 ----- 00100000			
0x004C	AREA3[W] -----0001111 ----- 00110000			
0x0050	AREA4[W] -----0001111 ----- 01000000			
0x0054	AREA5[W] -----0001111 ----- 01010000			
0x0058	AREA6[W] -----0001111 ----- 01100000			
0x005C	AREA7[W] -----0001111 ----- 01110000			
0x0060	ATIM0[W] -----0100 01011111			
0x0064	ATIM1[W] -----0100 01011111			
0x0068	ATIM2[W] -----0100 01011111			
0x006C	ATIM3[W] -----0100 01011111			
0x0070	ATIM4[W] -----0100 01011111			
0x0074	ATIM5[W] -----0100 01011111			
0x0078	ATIM6[W] -----0100 01011111			
0x007C	ATIM7[W] -----0100 01011111			
0x0080 - 0x00FC	-	-	-	-
0x0100	SDMODE -----0 00010011 --00-000			
0x0104	REFTIM -----0 00000000 0000000000110011			
0x0108	PWRDWN -----00000000 00000000			
0x010C	SDTIM -----00 01000010 00010001 0100--01			
0x0110	SDCMD 0-----00000 00000000 00000000			
0x0114 - 0x01FC	-	-	-	-

Base_Address + Address	Register			
	+3	+ 2	+1	+ 0
0x0200	MEMCERR -----0000			
0x0204 – 0x02FC	-	-	-	-
0x0300	DCLKR[W] -----01111			
0x0304	EST -----0			
0x0308	WEAD 00000000 00000000 00000000 00000000			
0x030C	ESCLR -----1			
0x0310	AMODE -----1			
0x031C - 0x0EFC	-	-	-	-
0x0F00 – 0x0F14	*	*	*	*
0x0F18 – 0x0FFC	-	-	-	-

USB ch.0 Base_Address : 0x4004_0000
USB ch.1 Base_Address : 0x4005_0000

Base_Address + Address	Register			
	+3	+2	+1	+0
0x2100	-	-	HCNT1[B,H,W] -----001	HCNT0[B,H,W] 00000000
0x2104	-	-	HERR[B,H,W] 00000011	HIRQ[B,H,W] 0-000000
0x2108	-	-	HFCOMP[B,H,W] 00000000	HSTATE[B,H,W] --010010
0x210C	-	-	HRTIMER(1/0)[B,H,W] 00000000 00000000	
0x2110	-	-	HADR[B,H,W] -00000000	HRTIMER(2)[B,H,W] -----00
0x2114	-	-	HEOF(1/0)[B,H,W] --000000 00000000	
0x2118	-	-	HFRAME(1/0)[B,H,W] -----000 00000000	
0x211C	-	-	-	HTOKEN[B,H,W] 00000000
0x2120	-	-	UDCC[B,H,W] ----- 10100-00	
0x2124	-	-	EP0C[H,W] -----0- -1000000	
0x2128	-	-	EP1C[H,W] 01100001 00000000	
0x212C	-	-	EP2C[H,W] 0110000- -1000000	
0x2130	-	-	EP3C[H,W] 0110000- -1000000	
0x2134	-	-	EP4C[H,W] 0110000- -1000000	
0x2138	-	-	EP5C[H,W] 0110000- -1000000	
0x213C	-	-	TMSP[H,W] ----000 00000000	
0x2140	-	-	UDCIE[B,H,W] --000000	UDCS[B,H,W] --000000
0x2144	-	-	EP0IS[H,W] 10---1-- -----	
0x2148	-	-	EP0OS[H,W] 100--00- -XXXXXXXX	
0x214C	-	-	EP1S[H,W] 100-000X XXXXXXXXX	
0x2150	-	-	EP2S[H,W] 100-000- -XXXXXXXX	
0x2154	-	-	EP3S[H,W] 100-000- -XXXXXXXX	
0x2158	-	-	EP4S[H,W] 100-000- -XXXXXXXX	
0x215C	-	-	EP5S[H,W] 100-000- -XXXXXXXX	

Base_Address + Address	Register			
	+3	+2	+1	+0
0x2160	-	-	EP0DTH[B,H,W] XXXXXXXXXX	EP0DTL[B,H,W] XXXXXXXXXX
0x2164	-	-	EP1DTH[B,H,W] XXXXXXXXXX	EP1DTL[B,H,W] XXXXXXXXXX
0x2168	-	-	EP2DTH[B,H,W] XXXXXXXXXX	EP2DTL[B,H,W] XXXXXXXXXX
0x216C	-	-	EP3DTH[B,H,W] XXXXXXXXXX	EP3DTL[B,H,W] XXXXXXXXXX
0x2170	-	-	EP4DTH[B,H,W] XXXXXXXXXX	EP4DTL[B,H,W] XXXXXXXXXX
0x2174	-	-	EP5DTH[B,H,W] XXXXXXXXXX	EP5DTL[B,H,W] XXXXXXXXXX
0x2178 - 0x217C	-	-	-	-

DMAC		Base Address : 0x4006_0000			
Base_Address + Address	Register				
	+3	+2	+1	+0	
0x0000	DMACR[B,H,W] 00-00000 -----				
0x0010	DMACA0[B,H,W] 00000000 0---0000 00000000 00000000				
0x0014	DMACB0[B,H,W] --000000 00000000 00000000 -----0				
0x0018	DMACSA0[B,H,W] 00000000 00000000 00000000 00000000				
0x001C	DMACDA0[B,H,W] 00000000 00000000 00000000 00000000				
0x0020	DMACA1[B,H,W] 00000000 0---0000 00000000 00000000				
0x0024	DMACB1[B,H,W] --000000 00000000 00000000 -----0				
0x0028	DMACSA1[B,H,W] 00000000 00000000 00000000 00000000				
0x002C	DMACDA1[B,H,W] 00000000 00000000 00000000 00000000				
0x0030	DMACA2[B,H,W] 00000000 0---0000 00000000 00000000				
0x0034	DMACB2[B,H,W] --000000 00000000 00000000 -----0				
0x0038	DMACSA2[B,H,W] 00000000 00000000 00000000 00000000				
0x003C	DMACDA2[B,H,W] 00000000 00000000 00000000 00000000				
0x0040	DMACA3[B,H,W] 00000000 0---0000 00000000 00000000				
0x0044	DMACB3[B,H,W] --000000 00000000 00000000 -----0				
0x0048	DMACSA3[B,H,W] 00000000 00000000 00000000 00000000				
0x004C	DMACDA3[B,H,W] 00000000 00000000 00000000 00000000				
0x0050	DMACA4[B,H,W] 00000000 0---0000 00000000 00000000				
0x0054	DMACB4[B,H,W] --000000 00000000 00000000 -----0				
0x0058	DMACSA4[B,H,W] 00000000 00000000 00000000 00000000				
0x005C	DMACDA4[B,H,W] 00000000 00000000 00000000 00000000				
0x0060	DMACA5[B,H,W] 00000000 0---0000 00000000 00000000				
0x0064	DMACB5[B,H,W] --000000 00000000 00000000 -----0				
0x0068	DMACSA5[B,H,W] 00000000 00000000 00000000 00000000				
0x006C	DMACDA5[B,H,W] 00000000 00000000 00000000 00000000				

Base_Address + Address	Register			
	+3	+2	+1	+0
0x0070	DMACA6[B,H,W] 00000000 0---0000 00000000 00000000			
0x0074	DMACB6[B,H,W] --000000 00000000 00000000 -----0			
0x0078	DMACSA6[B,H,W] 00000000 00000000 00000000 00000000			
0x007C	DMACDA6[B,H,W] 00000000 00000000 00000000 00000000			
0x0080	DMACA7[B,H,W] 00000000 0---0000 00000000 00000000			
0x0084	DMACB7[B,H,W] --000000 00000000 00000000 -----0			
0x0088	DMACSA7[B,H,W] 00000000 00000000 00000000 00000000			
0x008C	DMACDA7[B,H,W] 00000000 00000000 00000000 00000000			
0x0090 - 0x00FC	-	-	-	-

DSTC Base_Address : 0x4006_1000

Base_Address + Address	Register			
	+3	+2	+1	+0
0x0000	DESTP[B,H,W] 00000000 00000000 00000000 00000000			
0x0004	HWDESP[B,H,W] 00XXXXXX XXXXXX00 00000000 00000000			
0x0008	SWTR[H] 00000000 00000000		CFG[B] 01000000	CMD[B] 00000001
0x000C	MONERS[B,H,W] 00XXXXXX XXXXXX00 XXXXXXXX XXX00000			
0x0010	DREQENB[31:0] [B,H,W] 00000000 00000000 00000000 00000000			
0x0014	DREQENB[63:32] [B,H,W] 00000000 00000000 00000000 00000000			
0x0018	DREQENB[95:64] [B,H,W] 00000000 00000000 00000000 00000000			
0x001C	DREQENB[127:96] [B,H,W] 00000000 00000000 00000000 00000000			
0x0020	DREQENB[159:128] [B,H,W] 00000000 00000000 00000000 00000000			
0x0024	DREQENB[191:160] [B,H,W] 00000000 00000000 00000000 00000000			
0x0028	DREQENB[223:192] [B,H,W] 00000000 00000000 00000000 00000000			
0x002C	DREQENB[255:224] [B,H,W] 00000000 00000000 00000000 00000000			
0x0030	HWINT[31:0] [B,H,W] 00000000 00000000 00000000 00000000			
0x0034	HWINT[63:32] [B,H,W] 00000000 00000000 00000000 00000000			
0x0038	HWINT[95:64] [B,H,W] 00000000 00000000 00000000 00000000			
0x003C	HWINT[127:96] [B,H,W] 00000000 00000000 00000000 00000000			
0x0040	HWINT[159:128] [B,H,W] 00000000 00000000 00000000 00000000			
0x0044	HWINT[191:160] [B,H,W] 00000000 00000000 00000000 00000000			
0x0048	HWINT[223:192] [B,H,W] 00000000 00000000 00000000 00000000			
0x004C	HWINT[255:224] [B,H,W] 00000000 00000000 00000000 00000000			
0x0050	HWINTCLR[31:0] [B,H,W] 00000000 00000000 00000000 00000000			
0x0054	HWINTCLR[63:32] [B,H,W] 00000000 00000000 00000000 00000000			
0x0058	HWINTCLR[95:64] [B,H,W] 00000000 00000000 00000000 00000000			
0x005C	HWINTCLR[127:96] [B,H,W] 00000000 00000000 00000000 00000000			

Base_Address + Address	Register			
	+3	+2	+1	+0
0x060	HWINTCLR[159:128] [B,H,W] 00000000 00000000 00000000 00000000			
0x064	HWINTCLR[191:160] [B,H,W] 00000000 00000000 00000000 00000000			
0x068	HWINTCLR[223:192] [B,H,W] 00000000 00000000 00000000 00000000			
0x06C	HWINTCLR[255:224] [B,H,W] 00000000 00000000 00000000 00000000			
0x070	DQMSK[31:0] [B,H,W] 00000000 00000000 00000000 00000000			
0x074	DQMSK[63:32] [B,H,W] 00000000 00000000 00000000 00000000			
0x078	DQMSK[95:64] [B,H,W] 00000000 00000000 00000000 00000000			
0x07C	DQMSK[127:96] [B,H,W] 00000000 00000000 00000000 00000000			
0x080	DQMSK[159:128] [B,H,W] 00000000 00000000 00000000 00000000			
0x084	DQMSK[191:160] [B,H,W] 00000000 00000000 00000000 00000000			
0x088	DQMSK[223:192] [B,H,W] 00000000 00000000 00000000 00000000			
0x08C	DQMSK[255:224] [B,H,W] 00000000 00000000 00000000 00000000			
0x090	DQMSKCLR[31:0] [B,H,W] 00000000 00000000 00000000 00000000			
0x094	DQMSKCLR[63:32] [B,H,W] 00000000 00000000 00000000 00000000			
0x098	DQMSKCLR[95:64] [B,H,W] 00000000 00000000 00000000 00000000			
0x09C	DQMSKCLR[127:96] [B,H,W] 00000000 00000000 00000000 00000000			
0x0A0	DQMSKCLR[159:128] [B,H,W] 00000000 00000000 00000000 00000000			
0x0A4	DQMSKCLR[191:160] [B,H,W] 00000000 00000000 00000000 00000000			
0x0A8	DQMSKCLR[223:192] [B,H,W] 00000000 00000000 00000000 00000000			
0x0AC	DQMSKCLR[255:224] [B,H,W] 00000000 00000000 00000000 00000000			
0x00B0 - 0x0FFC	-	-	-	-

CAN ch.0 Base_Address : 0x4006_2000
CAN ch.1 Base_Address : 0x4006_3000

Base_Address + Address	Register			
	+3	+2	+1	+0
0x0000	STATR[B,H,W] ----- 00000000		CTRLR[B,H,W] ----- 000-0001	
0x0004	BTR[B,H,W] -0100011 00000001		ERRCNT[B,H,W] 00000000 00000000	
0x0008	TESTR[B,H,W] ----- X00000--		INTR[B,H,W] 00000000 00000000	
0x000C	-	-	BRPER[B,H,W] ----- ----0000	
0x0010	IF1CMSK[B,H,W] ----- 00000000		IF1CREQ[B,H,W] 0----- 00000001	
0x0014	IF1MSK2[B,H,W] 11-11111 11111111		IF1MSK1[B,H,W] 11111111 11111111	
0x0018	IF1ARB2[B,H,W] 00000000 00000000		IF1ARB1[B,H,W] 00000000 00000000	
0x001C	-	-	IF1MCTR[B,H,W] 00000000 0---0000	
0x0020	IF1DTA2[B,H,W] 00000000 00000000		IF1DTA1[B,H,W] 00000000 00000000	
0x0024	IF1DTB2[B,H,W] 00000000 00000000		IF1DTB1[B,H,W] 00000000 00000000	
0x0028 - 0x002F	-	-	-	-
0x0030	IF1DTA1[B,H,W] 00000000 00000000		IF1DTA2[B,H,W] 00000000 00000000	
0x0034	IF1DTB1[B,H,W] 00000000 00000000		IF1DTB2[B,H,W] 00000000 00000000	
0x0038 - 0x003C	-	-	-	-
0x0040	IF2CMSK[B,H,W] ----- 00000000		IF2CREQ[B,H,W] 0----- 00000001	
0x0044	IF2MSK2[B,H,W] 11-11111 11111111		IF2MSK1[B,H,W] 11111111 11111111	
0x0048	IF2ARB2[B,H,W] 00000000 00000000		IF2ARB1[B,H,W] 00000000 00000000	
0x004C	-	-	IF2MCTR[B,H,W] 00000000 0---0000	
0x0050	IF2DTA2[B,H,W] 00000000 00000000		IF2DTA1[B,H,W] 00000000 00000000	
0x0054	IF2DTB2[B,H,W] 00000000 00000000		IF2DTB1[B,H,W] 00000000 00000000	
0x0058 - 0x005C	-	-	-	-
0x0060	IF2DTA1[B,H,W] 00000000 00000000		IF2DTA2[B,H,W] 00000000 00000000	
0x0064	IF2DTB1[B,H,W] 00000000 00000000		IF2DTB2[B,H,W] 00000000 00000000	
0x0068 - 0x007C	-	-	-	-
0x0080	TREQR2[B,H,W] 00000000 00000000		TREQR1[B,H,W] 00000000 00000000	

Base_Address + Address	Register			
	+3	+2	+1	+0
0x0084 - 0x008F	-	-	-	-
0x0090	NEWDT2[B,H,W] 00000000 00000000		NEWDT1[B,H,W] 00000000 00000000	
0x0094 - 0x009F	-	-	-	-
0x00A0	INTPND2[B,H,W] 00000000 00000000		INTPND1[B,H,W] 00000000 00000000	
0x00A4 - 0x00AF	-	-	-	-
0x00B0	MSGVAL2[B,H,W] 00000000 00000000		MSGVAL1[B,H,W] 00000000 00000000	
0x00B4 - 0x0FFC	-	-	-	-

SD-Card Base_Address : 0x4006_E000

Base_Address + Address	Register			
	+3	+2	+1	+0
0x000 – 0xFFC	XXXXXXXX	XXXXXXXX	XXXXXXXX	XXXXXXXX

WorkFlash_IF Base_Address : 0x200E_0000

Base_Address + Address	Register			
	+3	+2	+1	+0
0x000	WFASZR[B,H,W]			
0x004	WFRWTR[B,H,W]			
0x008	WFSTR[B,H,W]			
0x00C - 0xFFF	-	-	-	-

Note:

For the register details of Workflash IF block, refer to the "FLASH PROGRAMMING MANUAL" of the product used.

B List of Notes

This section explains notes for each function.

1. Notes when high-speed CR is used for the master clock

1. Notes when high-speed CR is used for the master clock

This section explains notes when the high-speed CR is used for the master clock.

The frequency of the high-speed CR varies depending on the temperature and/or the power supply voltage. The following table shows notes on each function macro when the high-speed CR is used for the master clock.

Furthermore, pay attention to notes when the high-speed CR is used as an input clock of the PLL and the master clock is selected for PLL.

● Notes on Each Macro

Macro	Function/mode	Notes
Internal Bus Clock	HCLK/FCLK/PCLK0/ PCLK1/PCLK2/ TPIUCLK	When the frequency of the high-speed CR is the maximum value, the setting of the internal operating clock frequency shall not exceed the upper limit specified in the "data sheet" for the product that you are using.
Timer	Multi-function Timer Base Timer Watch Timer Dual Timer Watch Dog Timer Quadrature	The frequency variation of the high-speed CR should be considered for the timer count value of each macro.
A/D Converter	Sampling Time Compare Time	Considering the frequency variation of the high-speed CR, the sampling time and the compare time of the A/D converter shall satisfy the specification specified in the "data sheet" for the product that you are using.
USB	-	As the frequency accuracy does not meet the required specification, these macros cannot be used when the high-speed CR is used for the master clock.
Ethernet-MAC		
CAN		
Multi Function Serial Interface	UART	Even if the frequency of the high-speed CR is the minimum or the maximum value, the baud rate error should be considered. The baud rate error shall not exceed the limit.
	CSIO	The frequency variation of the high-speed CR should be considered for the communication of each macro.
	I2C	
	LIN	As the required frequency accuracy cannot be met, this function cannot be used as master. As a slave, the specified baud rate has more error at the maximum/minimum frequency of high-speed clock. So, if the error limit of the baud rate is exceeded, this function cannot be used.
Debug Interface	Serial Wire	As the frequency variation of the high-speed CR, the SWV(Serial Wire View) may not be used.
External Bus Interface	Clock Output	When the external bus clock output is used, the frequency variation of the high-speed CR should be considered for devices to be connected.
SD card Interface	-	The frequency variation of the high-speed CR should be considered for devices to be connected.

MN709-00004-1v0-E

FUJITSU SEMICONDUCTOR • CONTROLLER MANUAL

32-BIT MICROCONTROLLER

FM4 Family

PERIPHERAL MANUAL Communication Macro Part

July 2013 Rev. 1.0

Published **FUJITSU SEMICONDUCTOR LIMITED**

Edited Sales Promotion Dept.
