

# SIEMENS

RED **SCE5780**

YELLOW **SCE5781**

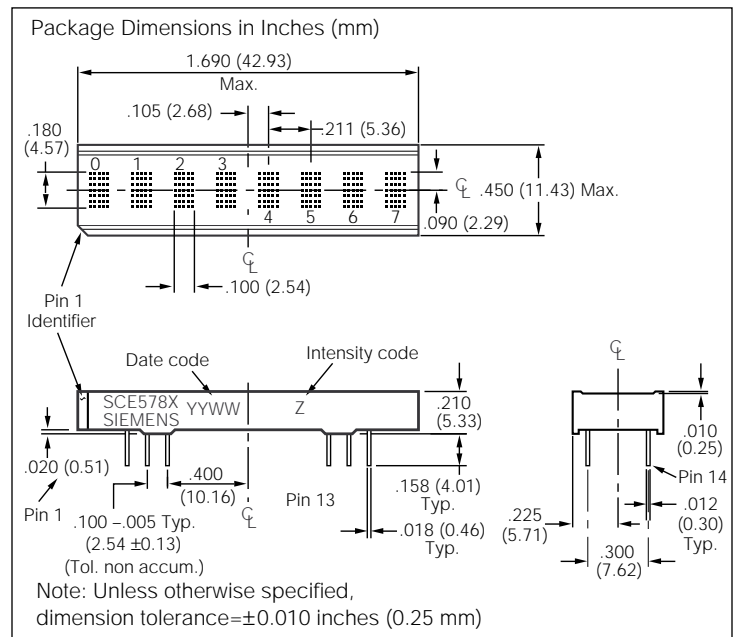
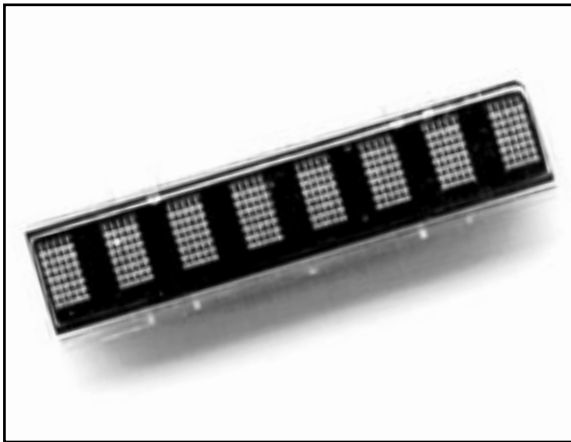
HIGH EFFICIENCY RED **SCE5782**

GREEN **SCE5783**

HIGH EFFICIENCY GREEN **SCE5784**

SOFT ORANGE **SCE5785**

**0.180" 8-Character, 5x7 Dot Matrix  
Serial Input Dot Addressable Intelligent Display™**



## FEATURES

- Eight 0.180" (4.57 mm) 5 x 7 Dot Matrix Characters in Red, Yellow, High Efficiency Red, Green, High Efficiency Green, or Soft Orange
- ROMless Serial Input, Dot Addressable Display Ideal for User Defined Characters
- Built-in Decoders, Multiplexers and LED Drivers
- Readable from 8 Feet (2.5 meters)
- Programmable Features:
  - Clear Function
  - Eight Dimming Levels
  - Peak Current Select (12.5% or Full Peak Current)
  - Prescaler Function (External Oscillator Divided by 16 or 1)
  - Internal or External Clock

## DESCRIPTION

The SCE5780 (red), SCE5781 (yellow), SCE5782 (HER), SCE5783 (green), SCE5784 (HEG), and SCE5785 (orange) are eight digit, dot addressable 5x7 dot matrix, serial input, Intelligent Displays. The eight 0.180" (4.57 mm) high digits are packaged in a rugged, high quality, optically transparent, plastic 26 pin DIP with 0.3" pin spacing.

The on-board CMOS has a 280 bit RAM, one bit associated with one LED, each to generate User Defined Characters.

The SCE578X is designed to work with the serial port of most common microprocessors. Data is transferred into the display through the Serial Data Input (DATA), clocked by the Serial Data Clock (SDCLK), and enabled by the Load Input (LOAD).

The Clock I/O (CLK I/O) and Clock Select (CLK SEL) pins offer the user the capability to supply a high speed external multiplex clock. This feature can minimize audio in-band interference for portable communication equipment or eliminate the visual synchronization effects found in high vibration environments such as avionic equipment. The prescaler function allows for a higher speed external multiplex clock when set to divide by 16.

**Maximum Rating**

$V_{CC}$ , Logic Supply Voltage (non-operating) .. -0.5 to +7.0VDC  
 $V_{LL}$ , LED Supply Voltage (non-operating) ..... -0.5 to 5.5 VDC  
 Input Voltage Levels Relative to Ground.....-0.5 to  $V_{CC}+0.5$  VDC  
 Operating Temperature<sup>(1)</sup> ..... -40°C to +85°C  
 Storage Temperature ..... -40°C to +100°C  
 Maximum Solder Temperature 0.063" below Seating Plane, t<5 sec..... 260°C  
 Relative Humidity at 85°C..... 85%  
 Maximum Power Dissipation  
     70°C ..... 1.7 W  
     85°C ..... 1.25 W  
 ESD (100 pF, 1.5 K $\Omega$ )..... 2 KV  
 Maximum Input Current .....  $\pm 100$  mA

Note:

1. For operation at high temperature, see Thermal Considerations.

**Switching Specifications**

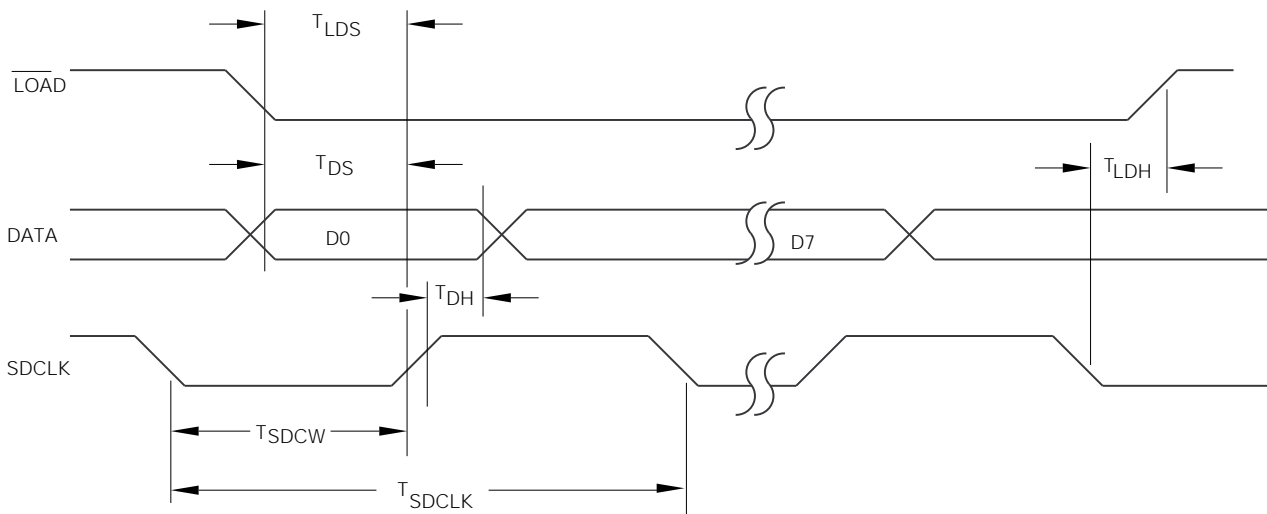
(over operating temperature range and  $V_{CC}=4.5$  V to 5.5 V)

Symbol	Description	Min.	Units
$T_{RC}$	Reset Active Time	600	ns
$T_{LDS}$	Load Setup Time	50	ns
$T_{DS}$	Data Setup Time	50	ns
$T_{SDCLK}$	Clock Period	200	ns
$T_{SDCW}$	Clock Width	70	ns
$T_{LDH}$	Load Hold Time	0	ns
$T_{DH}$	Data Hold Time	25	ns
$T_{WR}$	Total Write Time	2.2	$\mu$ s
$T_{BL}$	Time Between Loads	600	ns

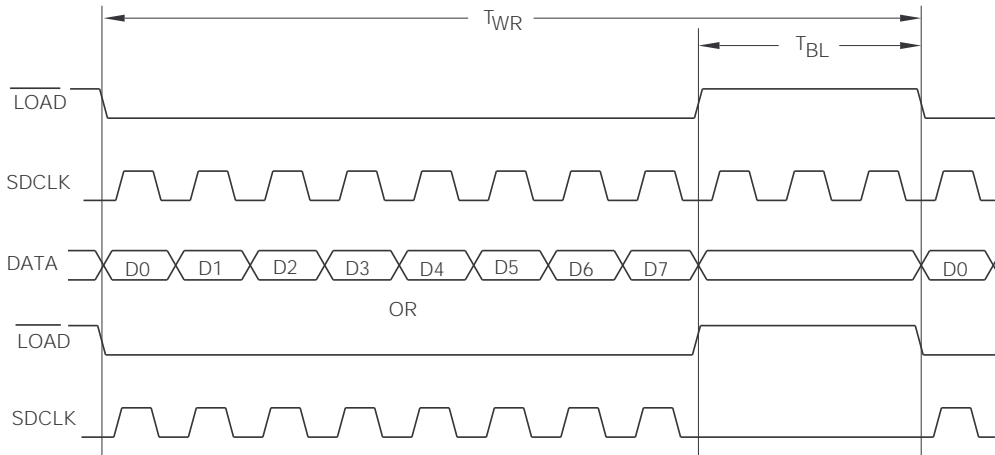
Note:

$T_{SDCW}$  is the minimum time the SDCLK may be low or high. The SDCLK period must be a minimum of 200 ns.

**Figure 1. Timing Diagram–Data Write Cycle**



**Figure 2. Timing Diagram–Instruction Cycle**



## Electrical Characteristics (over Operating Temperature)

Parameter	Min.	Typ.	Max.	Units	Conditions
$V_{CC}$	4.5	5.0	5.5	V	
$V_{LL}$	3.0		5.5	V	
$I_{CC}$ (PWR DWN) <sup>(4)</sup>			100	$\mu$ A	$V_{CC}=V_{LL}=5.0$ V, all inputs=0 V or $V_{CC}$
$I_{LL}$ (PWR DWN) <sup>(4)</sup>			50	$\mu$ A	
$I_{CC}$			2	mA	$V_{CC}=5.0$ V
$I_{LL}$ (20 dots/char) <sup>(1)</sup>		240	345	mA	$V_{CC}=V_{LL}=5.0$ V, "#" displayed in 8 digits, brightness=100%, $I_P=100\%$ at 25°C
$I_{IL}$			-10	$\mu$ A	$V_{CC}=5$ V, all inputs=0 V
$I_{IH}$			10	$\mu$ A	$V_{CC}=V_{IN}=5.0$ V (all inputs)
$V_{IH}$	3.5			V	$V_{CC}=4.5$ V to 5.5 V
$V_{IL}$			1.5	V	$V_{CC}=4.5$ V to 5.5 V
$I_{OH}$ (CLK I/O)		-8.9		mA	$V_{CC}=4.5$ V, $V_{OH}=2.4$ V
$I_{OL}$ (CLK I/O)		1.6		mA	$V_{CC}=4.5$ V, $V_{OH}=0.4$ V
$\theta_{JC-pin}$		34		$^{\circ}$ C/W	
Internal OSC Frequency	120		347	KHz	$V_{CC}=5.0$ V, CLKSEL=1, Prescale=+ 1
External OSC Frequency	120		347	KHz	$V_{CC}=5.0$ V, CLKSEL=0, Prescale=+ 1
External OSC Frequency with Prescale	1.92		5.55	MHz	$V_{CC}=5.0$ V, CLKSEL=0, Prescale=+ 16
Mux Frequency <sup>(3)</sup>	375	768	1086	Hz	

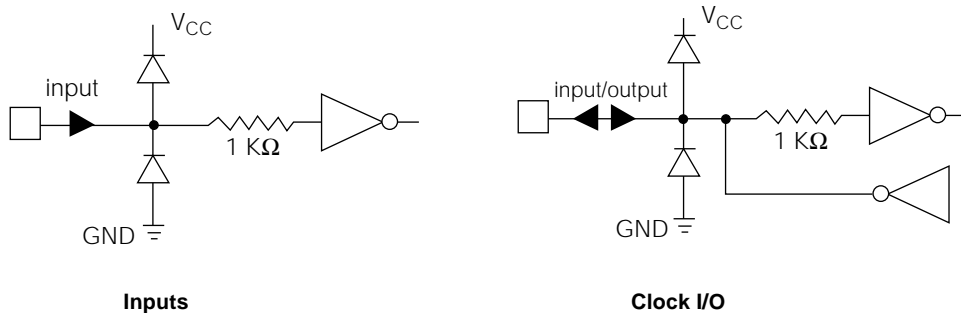
### Notes

1. Peak current=1.87 X  $I_{LL}$ .  $I_{LL}$  varies with  $V_{LL}$  Normalized curve, Figure 11.
2. Unused inputs must be tied high.
3. Mux rate=[OSC Frequency/(64 x 7)].
4. External oscillator must be stopped during power down mode for minimum current.

### Input/Output Circuits

Figures 3 and 4 show the input and output resistor/diode networks used for ESD protection and to eliminate substrate latch-up caused by input voltage over/under shoot.

**Figures 3 and 4.**



**Optical Characteristics at 25°C**

$V_{LL}=V_{CC}=5.0$  V at 100% Brightness Level, Viewing Angle: X Axis  $\pm 55^\circ$ , Y Axis  $\pm 65^\circ$

**Red SCE5780**

Description	Symbol	Min.	Typ.	Units
Luminous Intensity	$I_V$	37.5	9.0	$\mu\text{cd}/\text{dot}$
Peak Wavelength	$\lambda(\text{peak})$		660	nm
Dominant Wavelength	$\lambda(\text{d})$		639	nm

**Yellow SCE5781**

Description	Symbol	Min.	Typ.	Units
Luminous Intensity	$I_V$	75	110	$\mu\text{cd}/\text{dot}$
Peak Wavelength	$\lambda(\text{peak})$		585	nm
Dominant Wavelength	$\lambda(\text{d})$		583	nm

**High Efficiency Red SCE5782**

Description	Symbol	Min.	Typ.	Units
Luminous Intensity	$I_V$	75	190	$\mu\text{cd}/\text{dot}$
Peak Wavelength	$\lambda(\text{peak})$		630	nm
Dominant Wavelength	$\lambda(\text{d})$		626	nm

**Green SCE5783**

Description	Symbol	Min.	Typ.	Units
Luminous Intensity	$I_V$	75	150	$\mu\text{cd}/\text{dot}$
Peak Wavelength	$\lambda(\text{peak})$		565	nm
Dominant Wavelength	$\lambda(\text{d})$		570	nm

**High Efficiency Green SCE5784**

Description	Symbol	Min.	Typ.	Units
Luminous Intensity	$I_V$	120	215	$\mu\text{cd}/\text{dot}$
Peak Wavelength	$\lambda(\text{peak})$		568	nm
Dominant Wavelength	$\lambda(\text{d})$		574	nm

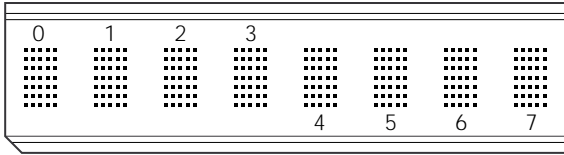
**Soft Orange SCE5785**

Description	Symbol	Min.	Typ.	Units
Luminous Intensity	$I_V$	120	150	$\mu\text{cd}/\text{dot}$
Peak Wavelength	$\lambda(\text{peak})$		635	nm
Dominant Wavelength	$\lambda(\text{d})$		626	nm

## Notes

1. Dot to dot intensity matching at 100% brightness is 1.8:1.
2. Display are binned for hue at 2 nm intervals for yellow, green, and high efficiency green.
3. Displays within a given intensity category have an intensity matching of 1.5:1 (max.)

## Top View



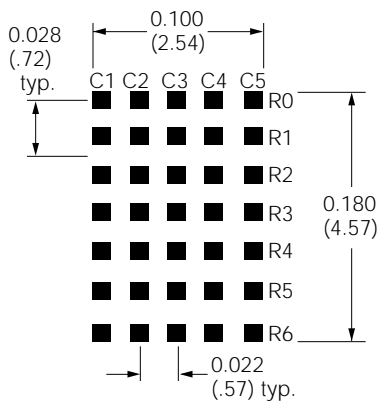
## Pin Assignment

Pin	Function	Pin	Function
1	CLKSEL	14	Serial Data
2	V <sub>CC</sub> (Logic)	15	No connect
3	V <sub>LL</sub> (LED)	16	Serial CLK
4	No pin	17	No pin
5	No pin	18	No pin
6	No pin	19	No pin
7	No pin	20	No pin
8	No pin	21	No pin
9	No pin	22	No pin
10	No pin	23	No pin
11	Load	24	Reset
12	GND	25	CLK I/O
13	GND	26	No connect

## Pin Definitions

Pin	Function	Definitions
1	CLKSEL	H=internal clock, L=external clock
2	V <sub>CC</sub> (Logic)	Logic power supply
3	V <sub>LL</sub> (LED)	LED power supply
4-10	No pin	No pins in these positions
11	Load	Low input enables data clocking into the 8-bit serial shift register. When Load goes high, the contents of the 8-bit serial shift register will be decoded.
12,13	GND	Power supply ground
14	Serial Data	Serial data input
15, 16	No connect	Pins have no function
16	Serial CLK	For loading data into the 8-bit serial register on a low to high transition.
17-23	No pin	No pins in these positions
24	Reset	Asynchronous input, when low will clear the Multiplex Counter, User RAM, and Data Register. Control Word Register is set to 100% brightness, maximum peak current, and oscillator divided by 1. The display blanked.
25	CLK I/O	Outputs master clock or input external clock for display multiplexing.

Figure 5. Dot Matrix Format



### Display Column and Row Format

	C 0	C 1	C 2	C 3	C 4
Row 0	1	1	1	1	1
Row 1	0	0	1	0	0
Row 2	0	0	1	0	0
Row 3	0	0	1	0	0
Row 4	0	0	1	0	0
Row 5	0	0	1	0	0
Row 6	0	0	1	0	0

1=Display dot "On"  
0=Display dot "Off"

### Column Data Ranges

Row 0	00H to 1FH
Row 1	00H to 1FH
Row 2	00H to 1FH
Row 3	00H to 1FH
Row 4	00H to 1FH
Row 5	00H to 1FH
Row 6	00H to 1FH

### Operation of the SCE578X

The SCE578X display consists of two CMOS ICs containing control logic and drivers for eight 5x7 characters. The first IC controls characters 0 through 3 and the second IC controls characters 4 through 7. These components are assembled in a compact plastic package.

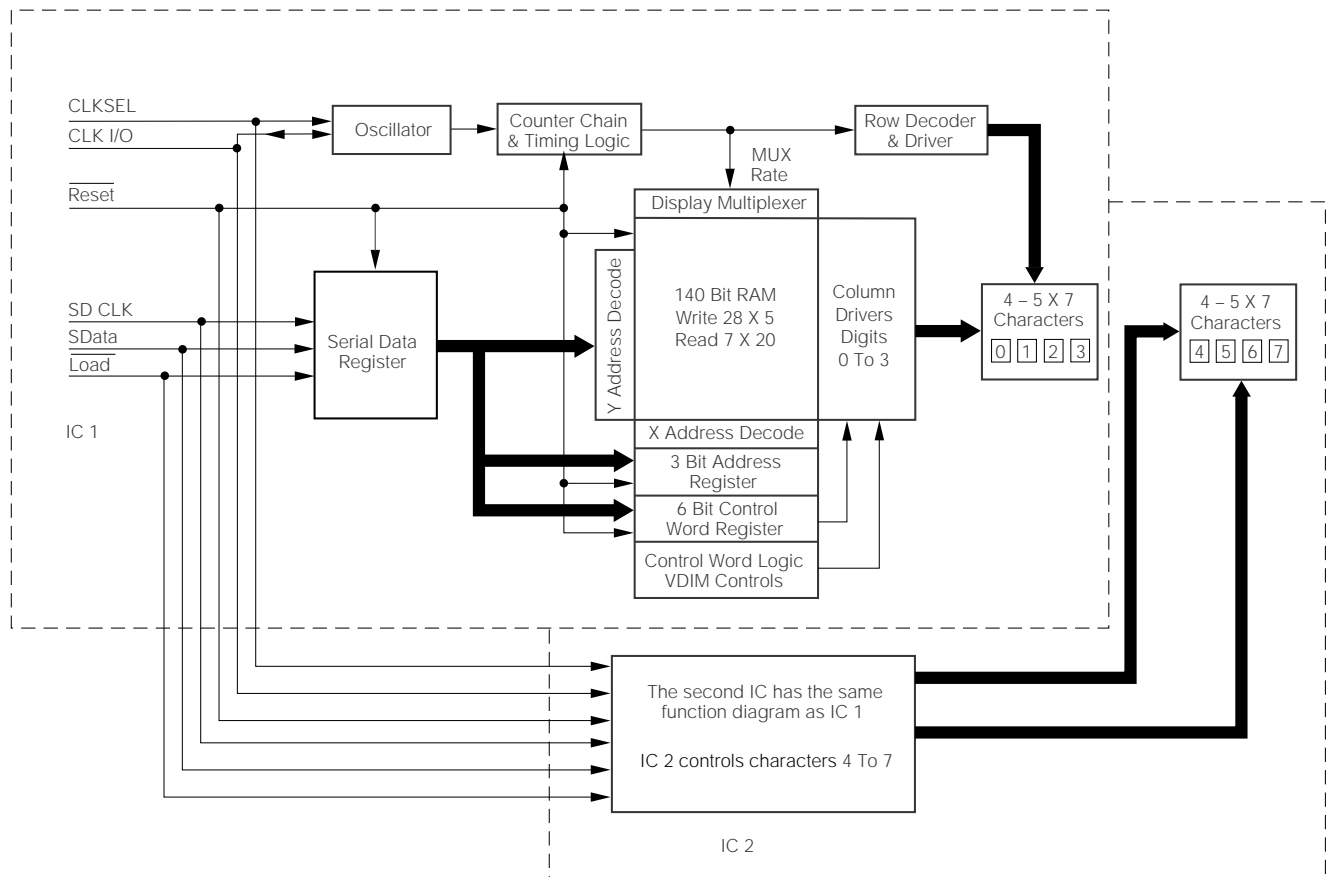
Individual LED dot addressability allows the user great freedom in creating special characters or mini-icons.

The serial data interface provides a highly efficient interconnection between the display and the mother board. The SCE578X requires a minimum three input lines as compared to fourteen for an equivalent eight character parallel input part.

The on-board CMOS IC is the electronic heart of the display. Each IC accepts serially formatted data, which is stored in the internal RAM. The IC accepts data based on the character address selected. The first IC is selected when addressing characters 0 through 3, the second IC is selected when addressing characters 4 through 7, and both ICs are selected when the Control Word is addressed.

Asynchronously the RAM is read by the character multiplexer at a strobe rate that results in a flicker free display. Figure 6 shows the three functional areas of the IC. These include: the input serial data register and control logic, a 140 bit two port RAM, and an internal multiplexer/display driver. The second IC is identical except characters 4 through 7 are driven.

Figure 6. Block Diagram



The following explains how to format the serial data to be loaded into the display. The user supplies a string of bit mapped decoded characters. The contents of this string is shown in Figure 7a. Figure 7b shows that each character consist of eight 8 bit words. The first word encodes the display character location and the succeeding seven bytes are row data. The row data represents the status (On, Off) of individual column LEDs. Figure 7c shows that each 8 bit word is formatted to represent Character Address, or Column Data.

Figure 7d shows the sequence for loading the bytes of data. Bringing the  $\overline{\text{LOAD}}$  line low enables the serial register to accept data. The shift action occurs on the low to high transition of the serial data clock (SDCLK). The least significant bit (D0) is loaded first. After eight clock pulses the LOAD line is brought high. With this transition the OPCODE is decoded. The decoded OPCODE directs D4–D0 to be latched in the Character Address register, stored in the RAM as Column data, or latched in the Control Word register. The control IC requires a minimum 600 ns delay between successive byte loads. As indicated in Figure 7a, a total of 512 bits of data are required to load all eight characters into the display.

The Character Address Register selects the character address that the row and column data will be written to. See Table 2 for opcode and character addressing. After loading the Character Address Register, the next seven bytes load the column data, one row at a time, starting with row 0 (top row) and ending with row 6 (bottom row). Each character address has a 7 x 5 bit User RAM formatted as seven rows, each containing five column data bits. The three most significant bits, D7–D5 represent the opcode for the row data and

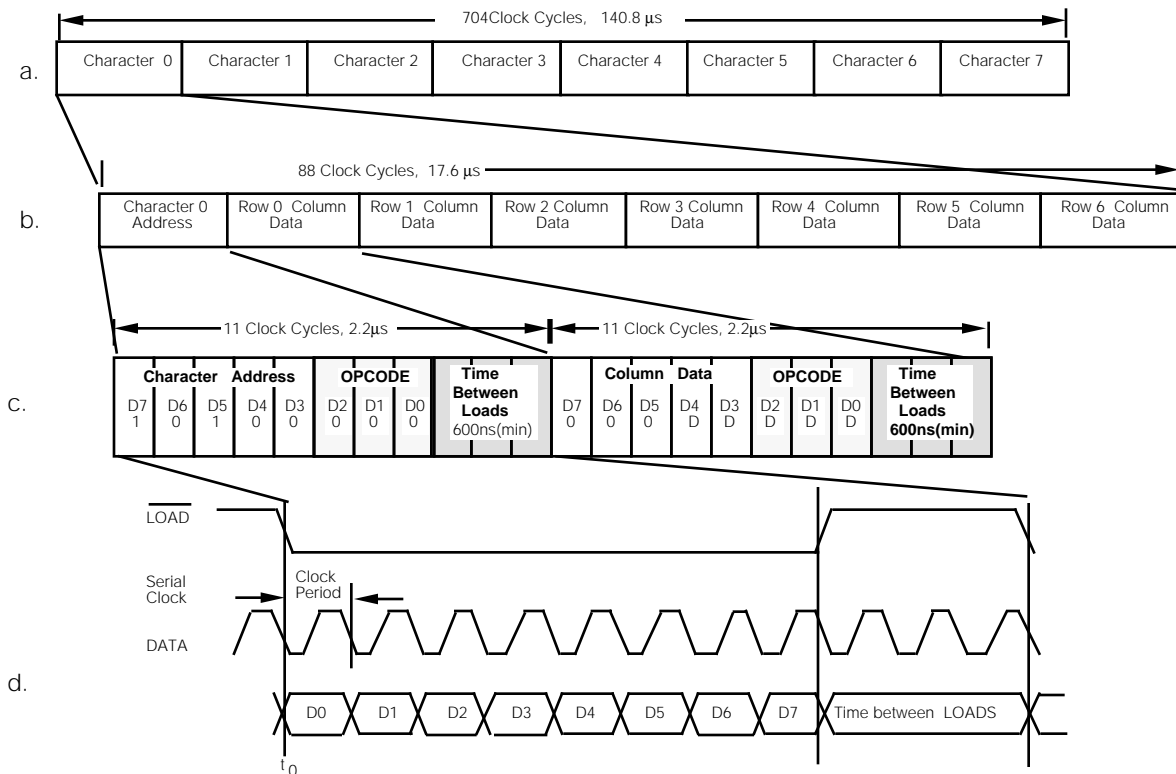
the least significant five bits, D4–D0 represent the column data. See Table 3 for the column data format. If an address is loaded before all seven rows are written, the next column data will be loaded into Row 0 of the new address. The remaining rows of the old address are not changed.

Table 7 shows the Row Address for the example character, "D." Column data is written and read asynchronously from the 280 bit RAM. Once loaded, the internal oscillator and character multiplexer reads the data from the RAM. These characters are row strobed with column data as shown in Figures 8 and 9. The character strobe rate is determined by the internal or user supplied external MUX Clock and the ICs+ 320 counter.

**Table 7. Character "D"**

	Op code D7 D6 D5	Column Data					Hex
		D4 C0	D3 C1	D2 C2	D1 C3	D0 C4	
Row 0	0 0 0	1	1	1	1	0	1E
Row 1	0 0 0	1	0	0	0	1	11
Row 2	0 0 0	1	0	0	0	1	11
Row 3	0 0 0	1	0	0	0	1	11
Row 4	0 0 0	1	0	0	0	1	11
Row 5	0 0 0	1	0	0	0	1	11
Row 6	0 0 0	1	1	1	1	0	1E

**Figure 7a–d. Loading Serial Character Data**



The user can activate four Control functions. These include: LED Brightness Level, IC Power Down, Prescaler, or Display Clear. OPCODEs and six bit words are used to initiate these functions. The OPCODEs and Control Words for the Character Address and Loading Column Data are shown in Tables 2 and 3.

**Table 2. Load Character Address**

Op code D7 D6 D5	Character Address D4 D3 D2 D1 D0	Hex	Operation Load
1 0 1	0 0 0 0 0	A0	Character 0
1 0 1	0 0 0 0 1	A1	Character 1
1 0 1	0 0 0 1 0	A2	Character 2
1 0 1	0 0 0 1 1	A3	Character 3
1 0 1	0 0 1 0 0	A4	Character 4
1 0 1	0 0 1 0 1	A5	Character 5
1 0 1	0 0 1 1 0	A6	Character 6
1 0 1	0 0 1 1 1	A7	Character 7

**Table 3. Load Column Data**

Op code D7 D6 D5	Column Data D4 D3 D2 D1 D0	Operation Load
0 0 0	C0 C1 C2 C3 C4	Row 0
0 0 0	C0 C1 C2 C3 C4	Row 1
0 0 0	C0 C1 C2 C3 C4	Row 2
0 0 0	C0 C1 C2 C3 C4	Row 3
0 0 0	C0 C1 C2 C3 C4	Row 4
0 0 0	C0 C1 C2 C3 C4	Row 5
0 0 0	C0 C1 C2 C3 C4	Row 6

The user can select eight specific LED brightness levels, Table 4. Depending on how D3 is selected either one (1) for maximum peak current or zero (0) for 12.5% of maximum peak current in the control word per Table 4a and 4b, the user can select 16 specific LED brightness levels. These brightness levels (in percentages of full brightness of the display) depending on how the user selects D3 can be one (1) or zero (0) are as follows: 100% (E0<sub>HEX</sub> or E8<sub>HEX</sub>), 53% (E1<sub>HEX</sub> or E9<sub>HEX</sub>), 40% (E2<sub>HEX</sub> or EA<sub>HEX</sub>), 27% (E3<sub>HEX</sub> or EB<sub>HEX</sub>), 20% (E4<sub>HEX</sub> or EC<sub>HEX</sub>), 13% (E5<sub>HEX</sub> or ED<sub>HEX</sub>), and 6.6% (E6<sub>HEX</sub> or EE<sub>HEX</sub>), 0.0% (E7<sub>HEX</sub> or EF<sub>HEX</sub>). The brightness levels are controlled by changing the duty factor of the row strobe pulse.

**Table 4a. Display Brightness**

Op code D7 D6	Control Word D5 D4 D3 D2 D1 D0	Hex	Operation Level
1 1	1 0 0 0 0 0	E0	100%
1 1	1 0 0 0 0 1	E1	53%
1 1	1 0 0 0 1 0	E2	40%
1 1	1 0 0 0 1 1	E3	27%
1 1	1 0 0 1 0 0	E4	20%
1 1	1 0 0 1 0 1	E5	13%
1 1	1 0 0 1 1 0	E6	6.6%
1 1	1 0 0 1 1 1	E7	0.0%

**Table 4b. Display Brightness**

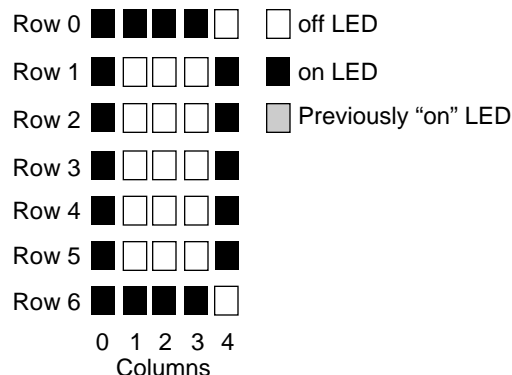
Op code D7 D6	Control Word D5 D4 D3 D2 D1 D0	Hex	Operation Level
1 1	1 0 1 0 0 0	E0	100%
1 1	1 0 1 0 0 1	E1	53%
1 1	1 0 1 0 1 0	E2	40%
1 1	1 0 1 0 1 1	E3	27%
1 1	1 0 1 1 0 0	E4	20%
1 1	1 0 1 1 0 1	E5	13%
1 1	1 0 1 1 1 0	E6	6.6%
1 1	1 0 1 1 1 1	E7	0.0%

The SCE578X offers a unique Display Power Down feature which reduces I<sub>CC</sub> to less than 150 μA total. When EF<sub>HEX</sub> is loaded (Table 5) the display is set to 0% brightness. When in the Power Down mode data may still be written into the RAM. The display is reactivated by loading a new brightness Level Control Word into the display.

**Table 5. Power Down**

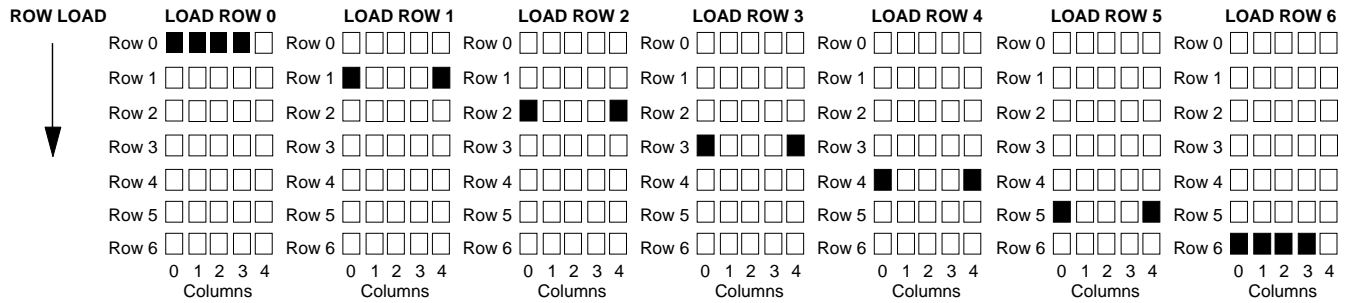
Op code D7 D6	Control Word D5 D4 D3 D2 D1 D0	Hex	Operation Level
1 1	1 0 1 1 1 1	EF	0% brightness

**Figure 8. Row and Column Locations for a Character “D”**





**Figure 9. Row Strobing**



The SCE578X allows a high frequency external oscillator source to drive the display. Data bit, D4, in the control word format controls the prescaler function. The prescaler allows the oscillator source to be divided by 16 by setting D4=1. However, the prescaler should not be used, i.e., when using the internal oscillator source.

The Software Clear (C0<sub>HEX</sub>), given in Table 6, clears the Address Register and the RAM. The display is blanked and the Character Address Register will be set to Character 0. The internal counter and the Control Word Register are unaffected. The Software Clear will remain active until the next data input cycle is initiated.

**Table 6. Software Clear**

Op code D7 D6	Control Word D5 D4 D3 D2 D1 D0	Hex	Operation
1 1	0 0 0 0 0 0	C0	CLEAR

**Multiplexer and Display Driver**

The eight characters are row multiplexed with RAM resident column data. The strobe rate is established by the internal or external MUX Clock rate. The MUX Clock frequency is divided by a 320 counter chain. This results in a typical strobe rate of 768 Hz. By pulling the Clock SEL line low, the display can be operated from an external MUX Clock. The external clock is attached to the CLK I/O connection.

An asynchronous hardware Reset (pin 8) is also provided. Bringing this pin low will clear the Character Address Register, Control Word Register, RAM, and blanks the display. This action leaves the display set at Character Address 0, and the Brightness Level set at 100%, prescaler +1.

**ELECTRICAL & MECHANICAL CONSIDERATIONS**

**Thermal Considerations**

The display's power usage may need to be reduced to operate at high ambient temperatures. The power may be reduced by lowering the brightness level, reducing the total number of LEDs illuminated, or lowering V<sub>LED</sub>. The V<sub>CC</sub> supply, relative to the V<sub>LED</sub> supply, has little effect on the power dissipation of the display and is not considered when determining the power dissipation.

To determine the power deration with a given ambient temperature, use the following formula:

$$T_{jmax} = T_A + P_D \cdot \theta_{ja}$$

where: T<sub>jmax</sub>=maximum IC junction temperature  
P<sub>D</sub>=power dissipated by the ICs  
θ<sub>ja</sub>=thermal resistance, junction to ambient

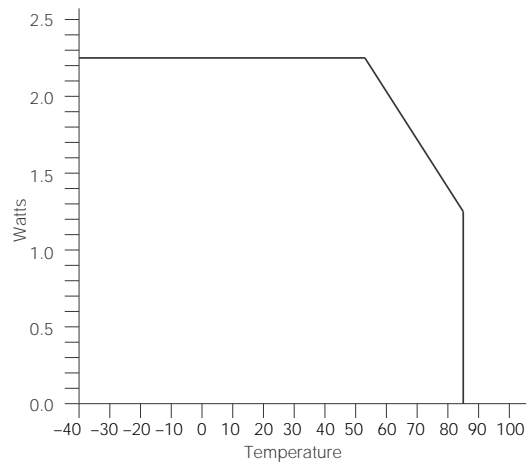
To determine the power dissipation of the display, use the following formula:

$$P_D = N \cdot I_{LL} / 140 \cdot RB$$

where: N=number of LEDs on  
I<sub>LL</sub>/140=average current for a single LED  
RB=relative brightness level

A typical thermal resistance value (θ<sub>ja</sub>) for this display is 50°C/W when mounted in a socket soldered on a 0.062" thick PCB with 0.020", 1 ounce copper traces and the display covered by a plastic filter. The display's maximum IC junction temperature is 125°C. Paragraph 6.2.5, Power Deration Curve is based on these typical values.

**Figure 10. Power Deration Curve (θ<sub>ja</sub>=50°C/W)**

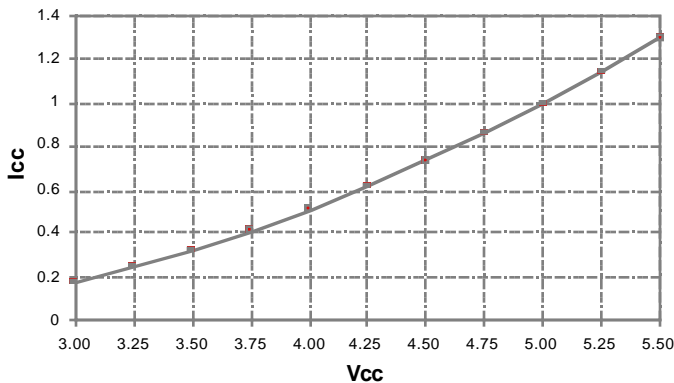


V<sub>CC</sub> and V<sub>LL</sub> are two separate power supplies sharing a common ground. V<sub>CC</sub> supplies power for all the display logic. V<sub>LL</sub> supplies the power for the LEDs. By separating the two supplies, V<sub>CC</sub> and V<sub>LL</sub> can be varied independently and keeps the logic supply clean.

V<sub>LL</sub> can be varied between 3 volts and 5.5 volts. The LED drive current will vary with changes in V<sub>LL</sub>. See Figure 11 for I<sub>LL</sub> variance.

V<sub>CC</sub> can vary between 3 volts and 5.5 volts. Operation below 4.5 volts will change the timing and switching levels of the inputs. Using 25% x V<sub>CC</sub> for V<sub>IL</sub> and 75% of V<sub>CC</sub> for V<sub>IH</sub> will work down to a V<sub>CC</sub> level of 3 volts.

**Figure 11. I<sub>LL</sub> Variance**



### Interconnect Considerations

Optimum product performance can be had when the following electrical and mechanical recommendations are adopted. The SCE578X's IC is constructed in a high speed CMOS process, consequently high speed noise on the SERIAL DATA, SERIAL DATA CLOCK,  $\overline{\text{LOAD}}$  and  $\overline{\text{RESET}}$  lines may cause incorrect data to be written into the serial shift register. Adhere to transmission line termination procedures when using fast line drivers and long cables (>10 cm).

Good ground (pin 2) and power supply decoupling (pins 9 and 10) will insure that I<sub>CC</sub> (<800 mA peak) switching currents do not generate localized ground bounce. Therefore it is recommended that each display package use a 0.1 $\mu\text{F}$  and 20  $\mu\text{F}$  tantalum capacitor between V<sub>CC</sub> and ground.

When the internal MUX Clock is being used connect the  $\overline{\text{CLK-SEL}}$  pin to V<sub>CC</sub>. In those applications where  $\overline{\text{RESET}}$  will not be connected to the system's reset control, it is recommended that this pin be connected to the center node of a series 0.1,  $\mu\text{F}$  and 100 K $\Omega$  RC network. Thus upon initial power up the  $\overline{\text{RESET}}$  will be held low for 10 ms allowing adequate time for the system power supply to stabilize.

### ESD Protection

The input protection structure of the SCE578X provides significant protection against ESD damage. It is capable of withstanding discharges greater than 2 KV. Take all the standard precautions, normal for CMOS components. These include properly grounding personnel, tools, tables, and transport carriers that come in contact with unshielded parts. If these conditions are not, or cannot be met, keep the leads of the device shorted together or the parts in anti-static packaging.

### Soldering Considerations

The SCE578X can be hand soldered with SN63 solder using a grounded iron set to 260°C.

Wave soldering is also possible following these conditions: Preheat that does not exceed 93°C on the solder side of the PC board or a package surface temperature of 85°C. Water soluble organic acid flux (except carboxylic acid) or resin-based RMA flux without alcohol can be used.

Wave temperature of 245°C  $\pm$ 5°C with a dwell between 1.5 sec. to 3.0 sec. Exposure to the wave should not exceed temperatures above 260°C for five seconds at 0.063" below the seating plane. The packages should not be immersed in the wave.

### Post Solder Cleaning Procedures

The least offensive cleaning solution is hot D.I. water (60°C) for less than 15 minutes. Addition of mild saponifiers is acceptable. Do not use commercial dishwasher detergents.

For faster cleaning, solvents may be used. Exercise care in choosing solvents as some may chemically attack the nylon package. For further information refer to Appnotes 18 and 19 in the current Siemens Optoelectronic Data Book. See Appnote 19, Table 1, "Displays-Group 2."

An alternative to soldering and cleaning the display modules is to use sockets. Naturally, 14 pin DIP sockets .300" wide with .100" centers work well for single displays. Multiple display assemblies are best handled by longer SIP sockets or DIP sockets when available for uniform package alignment. Socket manufacturers are Aries Electronics, Inc., Frenchtown, NJ; Garry Manufacturing, New Brunswick, NJ; Robinson-Nugent, New Albany, IN; and Samtec Electronic Hardware, New Albany, IN.

For further information refer to Appnote 22 in the current Siemens Optoelectronic Data Book.

### Optical Considerations

The 0.180" high character of the SCE578X gives readability up to five feet. Proper filter selection enhances readability over this distance.

Using filters emphasizes the contrast ratio between a lit LED and the character background. This will increase the discrimination of different characters. The only limitation is cost. Take into consideration the ambient lighting environment for the best cost/benefit ratio for filters.

Incandescent (with almost no green) or fluorescent (with almost no red) lights do not have the flat spectral response of sunlight. Plastic band-pass filters are an inexpensive and effective way to strengthen contrast ratios. The SCE5780 is a red display and should be used with long wavelength pass filter having a sharp cut-off in the 600 nm to 620 nm range. The SCE5782 is a high efficiency red display and should be used with long wavelength pass filter having a sharp cut-off in the 570 nm to 600 nm range. The SCE5784 is a high efficiency green display and should be used with long wavelength pass filter that peaks at 565 nm.

Additional contrast enhancement is gained by shading the displays. Plastic band-pass filters with built-in louvers offer the next step up in contrast improvement. Plastic filters can be improved further with anti-reflective coatings to reduce glare. The trade-off is fuzzy characters. Mounting the filters close to the display reduces this effect. Take care not to overheat the plastic filter by allowing for proper air flow.

Optimal filter enhancements are gained by using circular polarized, anti-reflective, band-pass filters. The circular polarizing further enhances contrast by reducing the light that travels through the filter and reflects back off the display to less than 1%.

Several filter manufacturers supply quality filter materials. Some of them are: Panelgraphic Corporation, W. Caldwell, NJ; SGL Homalite, Wilmington, DE; 3M Company, Visual Products Division, St. Paul, MN; Polaroid Corporation,

St. Paul, MN; Polaroid Corporation, Polarizer Division, Cambridge, MA; Marks Polarized Corporation, Deer Park, NY, Hoya Optics, Inc., Fremont, CA.

One last note on mounting filters: recessing displays and bezel assemblies is an inexpensive way to provide a shading effect in overhead lighting situations. Several Bezel manufacturers are: R.M.F. Products, Batavia, IL; Nobex Components, Griffith Plastic Corp., Burlingame, CA; Photo Chemical Products of California, Santa Monica, CA; I.E.E.-Atlas, Van Nuys, CA.

### Microprocessor Interface

The microprocessor interface is through the serial port, SPI port or one out of eight data bits on the eight bit parallel port and also control lines SDCLK and LOAD.

### Power Up Sequence

Upon power up display will come on at random. Thus the display should be reset at power-up. The reset will set the Address Register to Digit 0, User RAM is set to 0 (display blank) the Control Word is set to 0 (100% brightness) and the internal counters are reset.

### Loading Data into the Display

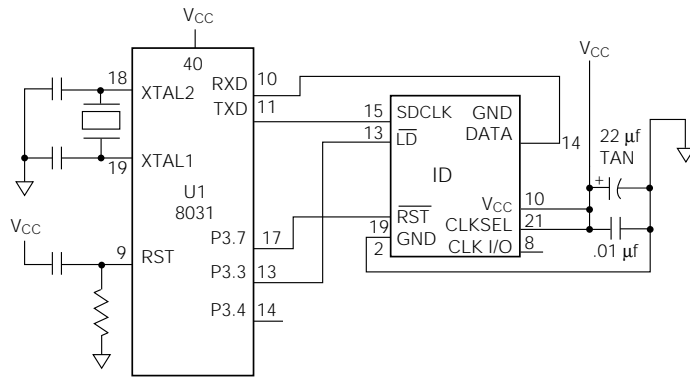
Use following procedure to load data into the display:

1. Power up the display.
2. Bring RST low (600 ns duration minimum) to clear the Multiplex Counter, Address Register, Control Word Register, User Ram and Data Register. The display will be blank. Display brightness is set to 100%.
3. If a different brightness is desired, load the proper brightness opcode into the Control Word Register.
4. Load the Digit Address into the display.
5. Load display row and column data for the selected digit.
6. Repeat steps 4 and 5 for all digits.

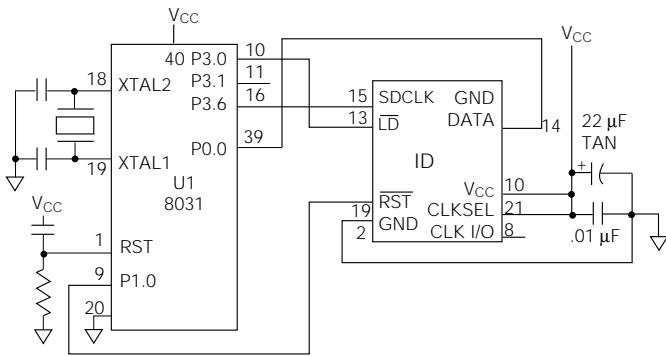
**Data Contents for the Word "ABCDEFGH"**

Step	D 7	D 6	D 5	D 4	D 3	D 2	D 1	D 0	Function
A	1	1	0	0	0	0	0	0	CLEAR
B	1	1	1	0	0	0	0	0	100% BRIGHTNESS
1	1	0	1	0	0	0	0	0	DIGIT D0 SELECT
2	0	0	0	0	0	1	0	0	ROW 0 (A)
3	0	0	0	0	1	0	1	0	ROW 1 (A)
4	0	0	0	1	0	0	0	1	ROW 2 (A)
5	0	0	0	1	1	1	1	1	ROW 3 (A)
6	0	0	0	1	0	0	0	1	ROW 4 (A)
7	0	0	0	1	0	0	0	1	ROW 5 (A)
8	0	0	0	1	0	0	0	1	ROW 6 (A)
9	1	0	1	0	0	0	0	1	DIGIT D1 SELECT
10	0	0	0	1	1	1	1	1	ROW 0 (B)
11	0	0	0	1	0	0	0	1	ROW 1 (B)
12	0	0	0	1	0	0	0	1	ROW 2 (B)
13	0	0	0	1	1	1	1	0	ROW 3 (B)
14	0	0	0	1	0	0	0	1	ROW 4 (B)
15	0	0	0	1	0	0	0	1	ROW 5 (B)
16	0	0	0	1	1	1	1	1	ROW 6 (B)
17	1	0	1	0	0	0	1	0	DIGIT D2 SELECT
18	0	0	0	0	0	1	1	1	ROW 0 (C)
19	0	0	0	0	1	0	0	0	ROW 1 (C)
20	0	0	0	1	0	0	0	0	ROW 2 (C)
21	0	0	0	1	0	0	0	0	ROW 3 (C)
22	0	0	0	1	0	0	0	0	ROW 4 (C)
23	0	0	0	0	1	0	0	0	ROW 5 (C)
24	0	0	0	0	0	1	1	1	ROW 6 (C)
25	1	0	1	0	0	0	1	1	DIGIT D3 SELECT
26	0	0	0	1	1	1	1	0	ROW 0 (D)
27	0	0	0	1	0	0	0	1	ROW 1 (D)
28	0	0	0	1	0	0	0	1	ROW 2 (D)
29	0	0	0	1	0	0	0	1	ROW 3 (D)
30	0	0	0	1	0	0	0	1	ROW 4 (D)
31	0	0	0	1	0	0	0	1	ROW 5 (D)
32	0	0	0	1	1	1	1	0	ROW 6 (D)
33	1	0	1	0	0	1	0	0	DIGIT D4 SELECT
34	0	0	0	1	1	1	1	1	ROW 0 (E)
35	0	0	0	1	0	0	0	0	ROW 1 (E)
36	0	0	0	1	0	0	0	0	ROW 2 (E)
37	0	0	0	1	1	1	1	0	ROW 3 (E)
38	0	0	0	1	0	0	0	0	ROW 4 (E)
39	0	0	0	1	0	0	0	0	ROW 5 (E)
40	0	0	0	1	1	1	1	1	ROW 6 (E)
41	1	0	1	0	0	1	0	1	DIGIT D5 SELECT
42	0	0	0	1	1	1	1	1	ROW 0 (F)
43	0	0	0	1	0	0	0	0	ROW 1 (F)
44	0	0	0	1	0	0	0	0	ROW 2 (F)
45	0	0	0	1	1	1	1	0	ROW 3 (F)
46	0	0	0	1	0	0	0	0	ROW 4 (F)
47	0	0	0	1	0	0	0	0	ROW 5 (F)
48	0	0	0	1	0	0	0	0	ROW 6 (F)
49	1	0	1	0	0	1	1	0	DIGIT D6 SELECT
50	0	0	0	0	1	1	1	0	ROW 0 (G)
51	0	0	0	1	0	0	0	1	ROW 1 (G)
52	0	0	0	1	0	0	0	0	ROW 2 (G)
53	0	0	0	1	0	0	0	0	ROW 3 (G)
54	0	0	0	1	0	0	1	1	ROW 4 (G)
55	0	0	0	1	0	0	0	1	ROW 5 (G)
56	0	0	0	0	1	1	1	0	ROW 6 (G)
57	1	0	1	0	0	1	1	1	DIGIT D7 SELECT
58	0	0	0	1	0	0	0	1	ROW 0 (H)
59	0	0	0	1	0	0	0	1	ROW 1 (H)
60	0	0	0	1	0	0	0	1	ROW 2 (H)
61	0	0	0	1	1	1	1	1	ROW 3 (H)
61	0	0	0	1	0	0	0	1	ROW 4 (H)
62	0	0	0	1	0	0	0	1	ROW 5 (H)
63	0	0	0	1	0	0	0	1	ROW 6 (H)

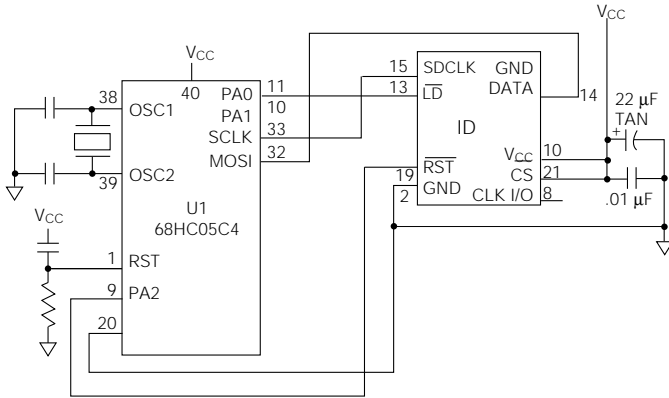
**Figure 12. Display Interface to Siemens/Intel 8031 Microprocessor (using serial port in mode 0)**



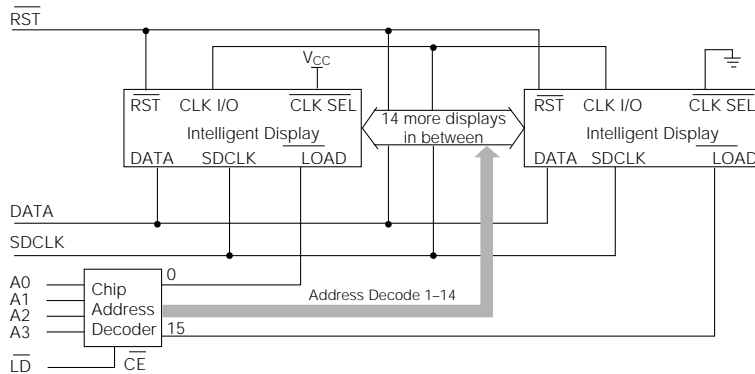
**Figure 13. Display Interface to Siemens/Intel 8031 Microprocessor (using one bit of parallel port as serial port)**



**Figure 14. Display Interface with Motorola 68HC05C4 Microprocessor (using SPI Port)**



**Figure 15. Cascading Multiple Displays**



Multiple displays can be cascaded using the  $\overline{\text{CLK SEL}}$  and CLK I/O pins (Figure 15). The display designated as the Master-Clock source should have its  $\overline{\text{CLK SEL}}$  pin tied high and the slaves should have their  $\overline{\text{CLK SEL}}$  pins tied low. All CLK I/O pins should be tied together. One display CLK I/O can drive 15 slave CLK I/Os. Use  $\overline{\text{RST}}$  to synchronize all display counters.

# Character Set

HEX CODE	HEX CODE	HEX CODE	HEX CODE	HEX CODE	HEX CODE	HEX CODE	HEX CODE	HEX CODE	HEX CODE	HEX CODE	HEX CODE
02 06 0E 1E 0E 06 02	04 00 04 08 11 11 0E	1F 00 11 0A 0A 0A 11	1F 00 11 0A 0A 0A 11	00 10 11 19 15 13 11	1F 00 16 19 11 11 11	00 00 09 04 09 0E 10	00 00 09 04 09 0E 10	00 01 0E 1A 0A 0A 0A	0C 12 12 16 11 16 10	06 08 04 0E 11 11 0E	06 08 04 0E 11 11 0E
00 00 04 0A 11 1F	00 10 1C 12 12 02 01	0E 11 1F 11 11 0E	0E 11 1F 11 11 0E	00 10 08 04 11 11	00 09 09 0E 10	00 01 0E 1A 0A 0A 0A	00 00 0F 12 12 12 12	00 0F 12 12 12 12 0C	1F 08 04 02 04 08 1F	1F 08 04 02 04 08 1F	1F 08 04 02 04 08 1F
00 01 0E 14 04 04	00 04 0E 15 15 0E 04	0E 11 11 11 0A 1B	0E 11 11 11 0A 1B	04 00 0E 12 12 11 11	04 00 0E 12 12 11 11	0A 00 0E 11 11 1F 11	0A 00 0E 11 11 1F 11	0A 00 0E 11 11 1F 11	0A 00 0E 11 11 1F 11	0A 0E 11 11 11 11 0E	0A 0E 11 11 11 11 0E
0A 00 0E 11 11 11 0E	0A 00 11 11 11 11 0E	0A 00 11 11 11 0E	0A 00 11 11 11 0E	04 04 02 1F 02 04 00	04 0F 08 08 18 08	0C 12 04 08 1E 00 00	0C 12 04 08 1E 00 00	06 09 08 1C 08 08 1F	11 0A 04 04 0E 08 04	11 0A 04 04 0E 08 04	11 0A 04 04 0E 08 04
00 00 00 00 00 00	04 04 04 04 04 04	0A 0A 00 00 00 00	0A 0A 00 00 00 00	0A 0A 1F 0A 0A	04 0F 14 0E 05 1E 04	18 19 02 04 08 13 03	18 19 02 04 08 13 03	08 14 08 15 12 0D	0C 0C 04 08 00 00 00	0C 0C 04 08 00 00 00	0C 0C 04 08 00 00 00
02 04 04 04 04 02	08 04 04 04 04 08	00 0A 04 1F 0A 00	00 0A 04 1F 0A 00	00 04 04 1F 04 04	00 00 18 18 08 10	00 00 1F 00 00 0C	00 00 1F 00 00 0C	00 00 00 00 0C	00 01 02 04 08 10 00	00 01 02 04 08 10 00	00 01 02 04 08 10 00
0E 13 15 19 11 0E	04 0C 04 04 04 0E	0E 11 01 06 08 10 1F	0E 11 01 06 08 10 1F	0E 11 01 06 08 10 1F	0E 11 01 06 08 10 1F	02 11 0A 12 1F 02 02	1F 10 1E 01 01 01 1E	06 10 10 1E 11 0E	1F 01 02 04 08 08	1F 01 02 04 08 08	1F 01 02 04 08 08
0E 11 11 0E 11 11 0E	0E 11 11 0F 01 02 0C	0C 0C 0C 00 0C 0C 00	0C 0C 0C 00 0C 0C 00	0C 0C 0C 00 0C 0C 00	01 02 04 08 04 02 01	00 00 1F 00 1F 00 00	00 00 1F 00 1F 00 00	10 08 04 02 04 08 10	0E 11 01 02 04 00 04	0E 11 01 02 04 00 04	0E 11 01 02 04 00 04
0E 11 17 15 17 10 0E	0E 11 1F 11 11 11	1E 11 1E 1E 1E 1E	1E 11 1E 1E 1E 1E	0E 11 10 10 11 11 0E	1E 11 10 10 11 11 1E	1F 10 1E 10 10 1F	1F 10 1E 10 10 1F	1F 10 1E 10 10 1F	0E 11 10 10 13 11 0E	0E 11 10 10 13 11 0E	0E 11 10 10 13 11 0E
11 11 1F 11 11 11	07 04 04 04 04 07	01 01 01 01 11 0E	01 01 01 01 11 0E	11 12 14 18 14 12 1F	10 10 10 10 10 10 1F	11 1B 15 15 11 11	11 1B 15 15 11 11	11 19 15 13 11 11	0E 11 11 11 11 0E	0E 11 11 11 11 0E	0E 11 11 11 11 0E
1E 11 1E 10 10 10	0E 11 11 15 12 0D	1E 11 1E 14 12 11	1E 11 1E 14 12 11	0E 11 10 01 11 0E	1F 04 04 0E 04 04	11 11 11 11 11 0E	11 11 11 11 11 0E	11 11 11 0A 04 04	11 11 15 15 1B 11	11 11 15 15 1B 11	11 11 15 15 1B 11
11 0A 04 0A 11 11	11 0A 04 04 04 04	1F 01 02 04 08 1F	1F 01 02 04 08 1F	04 04 04 04 04 07	10 08 04 02 01 00	1C 04 04 04 04 1C	1C 04 04 04 04 1C	04 0E 15 04 04 04	00 00 00 00 00 1F	00 00 00 00 00 1F	00 00 00 00 00 1F
0C 08 04 00 00 00	00 0E 12 12 12 0D	10 10 16 19 11 1E	10 10 16 19 11 1E	00 0E 10 10 11 0E	01 01 0D 13 11 0F	00 0E 11 1E 10 0E	00 0E 11 1E 10 0E	04 0A 08 1C 08 08	00 0F 11 0F 01 06	00 0F 11 0F 01 06	00 0F 11 0F 01 06
10 16 19 11 11 11	00 00 0C 04 04 0E	02 00 06 02 12 0C	02 00 06 02 12 0C	10 12 14 18 14 12	0C 04 04 04 04 0E	00 0A 15 11 11 11	00 0A 15 11 11 11	00 16 19 11 11 11	00 0E 11 11 11 0E	00 0E 11 11 11 0E	00 0E 11 11 11 0E
00 00 1E 11 19 16 10	00 0F 11 13 0D 01	00 0B 0C 08 08 08	00 0B 0C 08 08 08	00 00 0E 0A 04	08 08 1C 08 0A	00 00 11 11 13 0D	00 00 11 11 13 0D	00 00 11 11 13 0D	00 00 11 15 15 0A	00 00 11 15 15 0A	00 00 11 15 15 0A
00 00 11 0A 04 0A 11	00 0A 04 04 04 08	00 1F 02 04 08 1F	00 1F 02 04 08 1F	04 04 08 04 04 02	04 04 00 04 04 04	15 04 02 04 04 08	15 04 02 04 04 08	00 15 08 00 00 00	0A 15 0A 15 0A	0A 15 0A 15 0A	0A 15 0A 15 0A