



# SX18AC100/ SX28AC100

## High-Performance 8-Bit Microcontrollers with EE/Flash Program Memory and In-System Programming Capability

### 1.0 PRODUCT OVERVIEW

#### 1.1 Introduction

The SX18AC100 and SX28AC100 are members of the SX family of high-performance 8-bit microcontrollers fabricated in an advanced CMOS process technology. The advanced process, combined with a RISC-based architecture, allows high-speed computation, flexible I/O control, and efficient data manipulation. Throughput is enhanced by operating the device at frequencies up to 100 MHz and by optimizing the instruction set to include mostly single-cycle instructions.

On-chip functions include a general-purpose 8-bit timer with prescaler, an analog comparator, a brown-out detector, a watchdog timer, a power-save mode with multi-source wakeup capability, an internal R/C oscillator, user-selectable clock modes, and high-current outputs.

#### 1.2 Key Features

- 100 MIPS performance at 100 MHz and Vcc=5.0V
- 2048 x 12 bits EE/Flash program memory rated for 10,000 rewrite cycles
- 136 x 8 bits SRAM
- In-system programming capability through OSC pins
- Internal RC oscillator with configurable rate from 31.25 KHz to 4 MHz, ±8% accuracy
- Analog comparator
- Brown-out detector (4.2V, on/off)
- Multi-Input Wakeup (MIWU) on eight pins
- All outputs capable of sinking/sourcing 30 mA

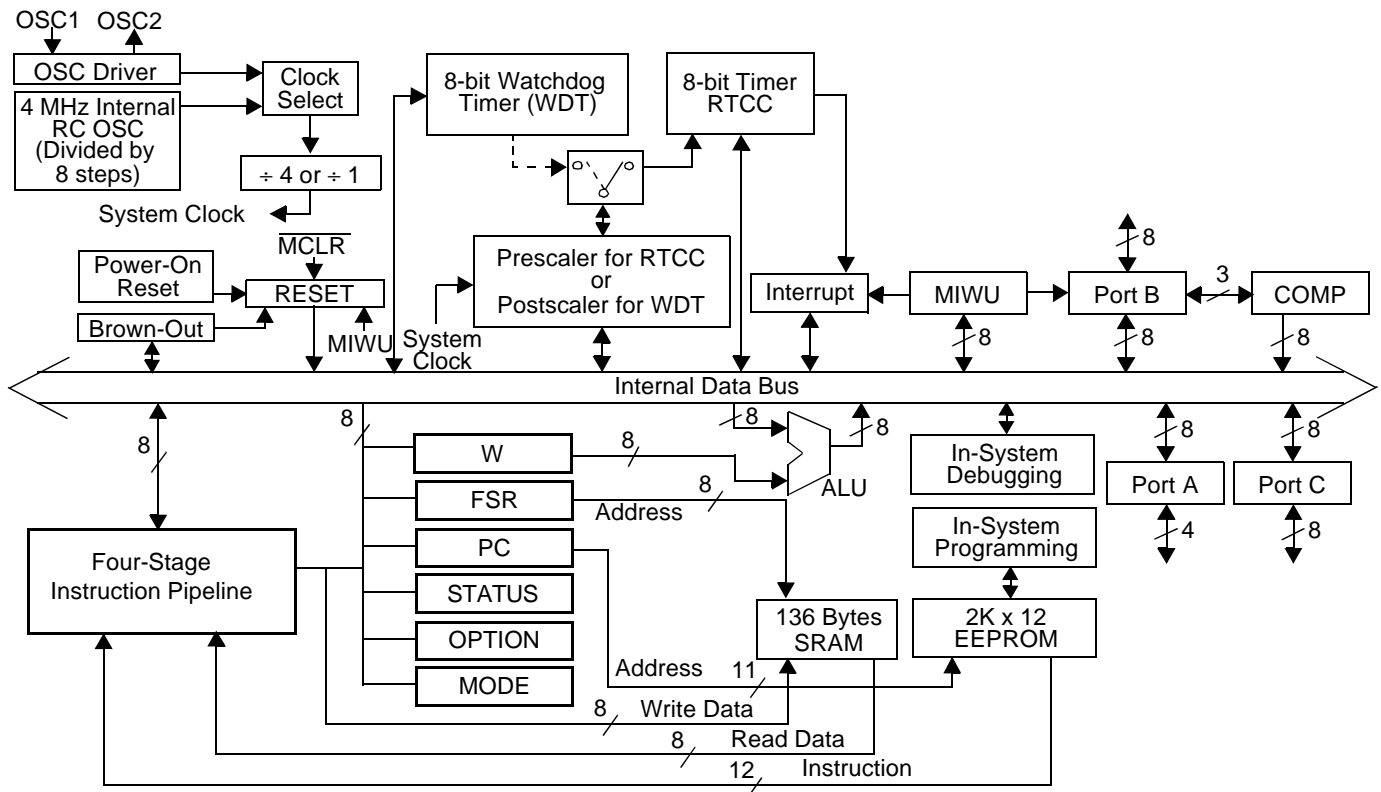


Figure 1-1. Block Diagram

Scenix™ and the Scenix logo are trademarks of Scenix Semiconductor, Inc.  
 I<sup>2</sup>C™ is a trademark of Philips Corporation  
 PIC® is a registered trademark of Microchip Technology, Inc.  
 Microchip® is a registered trademark of Microchip Technology, Inc.

SX-Key™ is a trademark of Parallax, Inc.  
 Microwire™ is a trademark of National Semiconductor Corporation  
 All other trademarks mentioned in this document are property of their respective companies.

## 1.2 Key Features (Continued)

- User selectable clock modes:
  - Internal RC oscillator
  - External oscillator
  - Crystal/resonator options
  - External RC oscillator
- Fast lookup capability through run-time readable code
- Complete development tool support available through Parallax

### 1.2.1 CPU Features

- Fully static design – DC to 100 MHz operation
- 10 ns instruction cycle time
- Mostly single-cycle instructions
- Selectable 8-level deep hardware subroutine stack
- Fixed interrupt response time: 30 ns internal, 50 ns external at 100 MHz
- Hardware context save/restore for interrupt
- Designed for compatibility with the PIC16C5x series

### 1.2.2 I/O Features

- Software-selectable I/O configuration
  - Each pin programmable as an input or output
  - TTL or CMOS level selection on inputs
  - Internal weak pull-up selection on inputs (~20 k $\Omega$  to  $V_{DD}$ )
- Schmitt trigger inputs on Port B and Port C
- All outputs capable of sinking/sourcing 30 mA
- Symmetrical drive on Port A outputs (same  $V_{drop}$  +/-)

## 1.3 Architecture

The SX devices use a modified Harvard architecture. This architecture uses two separate memories with separate address buses, one for the program and one for data, while allowing transfer of data from program memory to SRAM. This ability allows accessing data tables from program memory. The advantage of this architecture is that instruction fetch and memory transfers can be overlapped with a multi-stage pipeline, which means the next instruction can be fetched from program memory while the current instruction is being executed using data from the data memory.

The SX family implements a four-stage pipeline (fetch, decode, execute, and write back), which results in execution of one instruction per clock cycle. At the maximum operating frequency of 100 MHz, instructions are executed at the rate of one per 10-ns clock cycle.

## 1.4 Programming and Debugging Support

The SX devices are currently supported by the SX-Key™ offered by Parallax, Inc. This tool provides an integrated development environment including editor, macro assembler, debugger, and programmer.

## 1.5 Applications

Emerging applications and advances in existing ones require higher performance while maintaining low cost and fast time-to-market.

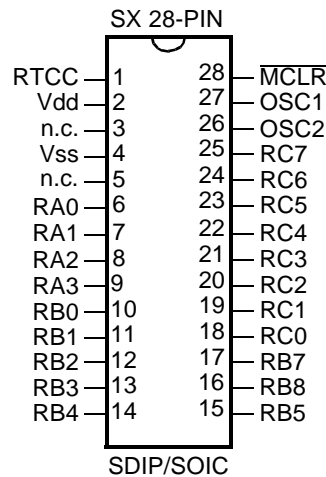
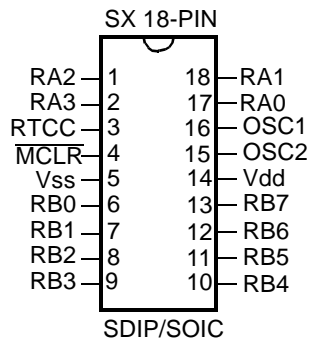
The device not only provides solutions for many familiar applications such as process controllers, electronic appliances/tools, security/monitoring systems, consumer automotive, sound generation, motor control, and personal communication devices, but also can be used in application that require DSP-like capabilities. Examples of such applications include closed loop servo control (digital filters), digital answering machines, voice note, interactive toys, and magnetic-strip readers. In addition, the enhanced throughput allows efficient development of software modules called Virtual Peripherals to replace on-chip hardware peripherals. The concept of Virtual Peripheral provides benefits such as using a more simple device, reduced component count, fast time to market, increased flexibility in design, and ultimately overall system cost reduction.

Some examples of Virtual Peripheral modules are:

- Serial, Parallel, I<sup>2</sup>C™, Microwire™ ( $\mu$ -Wire), Dallas  $\mu$ -Wire, SPI, DMX-512, X-10, IR transceivers
- Frequency generation and measurement
- Spectrum analysis
- Multi-tasking, interrupts, and networking
- Resonance loops
- DRAM drivers
- Music and voice synthesis
- PPM/PWM output
- Delta/Sigma ADC
- DTMF generation/detection
- PSK/FSK generation/detection
- Quadrature encoder/decoder
- Peripheral Interface Device (PID) and servo control
- Video controller

## 2.0 CONNECTION DIAGRAMS

### 2.1 Pin Assignments



### 2.2 Pin Descriptions

Name	Pin Type	Input Levels	Description
RA0	I/O	TTL/CMOS	Bidirectional I/O Pin; symmetrical source / sink capability
RA1	I/O	TTL/CMOS	Bidirectional I/O Pin; symmetrical source / sink capability
RA2	I/O	TTL/CMOS	Bidirectional I/O Pin; symmetrical source / sink capability
RA3	I/O	TTL/CMOS	Bidirectional I/O Pin; symmetrical source / sink capability
RB0	I/O	TTL/CMOS/ST	Bidirectional I/O Pin; comparator output; MIWU input
RB1	I/O	TTL/CMOS/ST	Bidirectional I/O Pin; comparator negative input; MIWU input
RB2	I/O	TTL/CMOS/ST	Bidirectional I/O Pin; comparator positive input; MIWU input
RB3	I/O	TTL/CMOS/ST	Bidirectional I/O Pin; MIWU input
RB4	I/O	TTL/CMOS/ST	Bidirectional I/O Pin; MIWU input
RB5	I/O	TTL/CMOS/ST	Bidirectional I/O Pin; MIWU input
RB6	I/O	TTL/CMOS/ST	Bidirectional I/O Pin; MIWU input
RB7	I/O	TTL/CMOS/ST	Bidirectional I/O Pin; MIWU input
RC0	I/O	TTL/CMOS/ST	Bidirectional I/O pin
RC1	I/O	TTL/CMOS/ST	Bidirectional I/O pin
RC2	I/O	TTL/CMOS/ST	Bidirectional I/O pin
RC3	I/O	TTL/CMOS/ST	Bidirectional I/O pin
RC4	I/O	TTL/CMOS/ST	Bidirectional I/O pin
RC5	I/O	TTL/CMOS/ST	Bidirectional I/O pin
RC6	I/O	TTL/CMOS/ST	Bidirectional I/O pin
RC7	I/O	TTL/CMOS/ST	Bidirectional I/O pin
RTCC	I	ST	Input to Real-Time Clock/Counter
MCLR	I	ST	Master Clear reset input – active low
OSC1/In/Vpp	I	ST	Crystal oscillator input – external clock source input
OSC2/Out	O	CMOS	Crystal oscillator output – in R/C mode, internally pulled to Vdd through weak pull-up
Vdd	P	–	Positive supply pin
Vss	P	–	Ground pin

Note: I = input, O = output, I/O = Input/Output, P = Power, TTL = TTL input, CMOS = CMOS input, ST = Schmitt Trigger input, MIWU = Multi-Input Wakeup input

## Sales and Tech Support Contact Information

### DEVELOPMENT TOOLS

#### Parallax Inc.

3805 Atherton Road  
 Rocklin, CA 95765  
 (916) 624-8333  
 (916) 624-8003 (fax)  
<http://www.parallaxinc.com>

### PRODUCT DISTRIBUTION

#### EBV Electronics, Inc.

9980 Huennekens Street  
 San Diego, CA 92121  
 (800) 677-5664  
 (800) 556-0225 TECHNICAL SUPPORT HOTLINE  
 (619) 677-7950 (fax)

### MANUFACTURERS REPRESENTATIVES

#### Ciponic

Room 1608, 16/F  
 Profit Industrial building  
 1-15 Kwai Fung St.  
 Hong Kong  
 011-2482-2981  
 011-852-2419-7874 (fax)

#### Com-File

30-1 Singae-Dong Yougsan-Gu  
 Seoul, Korea  
 011-822-711-2592  
 011-82-2-711-2593 (fax)

#### Com-Tek Sales

3502 Shoreline Drive  
 Navarre, MN 55392-0017  
 (612) 471-7181  
 (612) 471-7238 (fax)

#### Dynamic Technical Sales

416 E. State Parkway, Suite 212  
 Schaumburg, IL 60173  
 (847) 755-5490  
 (847) 755-0532 (fax)  
 553 Industrial Drive, Suite 6  
 Hartland, WI 53029  
 (414) 367-1821  
 (414) 367-1930 (fax)

#### M-Rep

12801 Stemmons Freeway, Suite 825  
 Dallas, TX 75234  
 (972) 484-5711  
 (972) 484-0634 (fax)

#### Nelco

9725 E. Hampden Avenue, Suite 100  
 Denver, CO 80231  
 (303) 671-7677  
 (303) 671-7994 (fax)

6032 Caprock Court, Apt. 1807  
 El Paso, TX 79912  
 (915) 833-7300  
 (915) 833-7300 (fax)

#### Optima Sales, Inc.

901 Campisi Way  
 Campbell, CA 95008  
 (408) 558-0655  
 (408) 558-0658 (fax)

#### Quality Components, Inc.

116 Fayette Street  
 Manlius, NY 13104  
 (315) 682-8885  
 (315) 682-2277 (fax)

#### ERA

354 Veterans Memorial Highway  
 Commack, NY 11725  
 (516) 543-0510  
 (516) 543-0758 (fax)

#### Schillinger Associates, Inc.

2297 E. Boulevard  
 Kokomo, IN 46902  
 (765) 457-7241  
 (765) 457-7732 (fax)

#### Spectrum Sales

31368 Via Colinas, Suite 101  
 Westlake Village, CA 91362  
 (818) 706-2919  
 (818) 706-2978 (fax)

30 Fairbanks, Suite 115  
 Irvine, CA 92618  
 (949) 461-5280

#### STG

101 Washington Street, Suite 6  
 Huntsville, AL 35801  
 (205) 534-2376  
 (205) 534-2384 (fax)

207 New Edition Court  
 Cary, NC 27511  
 (919) 468-1524  
 (919) 468-1534 (fax)

6045 Atlantic Boulevard  
 Norcross, GA 30071  
 (770) 239-7576  
 (770) 239-7589 (fax)

#### Sumisho Electronic Devices Corp.

1 Kandamitoshirocho  
 Chiyoda-ku, Tokyo, 101 Japan  
 (03) 5282-7225  
 (03) 5282-7235 (fax)

#### Venture

12503 Bel-Red Road, Suite 101  
 Bellevue, WA 98005  
 (425) 454-4594  
 (425) 454-9003 (fax)  
[VentureWA@aol.com](mailto:VentureWA@aol.com)

7165 S.W. Fir Loop, Suite 103  
 Portland, OR 97223  
 (503) 624-0617  
 (503) 620-4682  
[VentureOR@aol.com](mailto:VentureOR@aol.com)

#### VISTAssociates, Inc.

237 Cedar Hill Street  
 Marlborough, MA 01752  
 (508) 481-9277  
 (508) 460-1869 (fax)

For the latest contact and support information on SX devices, please visit the Scenix Semiconductor website at [www.scenix.com](http://www.scenix.com). The site contains technical literature, local sales contacts, tech support and many other features.



**Scenix Semiconductor, Inc.**

**3160 De La Cruz Blvd., Suite #200**

Santa Clara, CA 95054

(408) 327-8888

<http://www.scenix.com>