

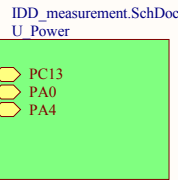
1

2

3

4

IDD_CNT_EN
IDD_WAKEUP
IDD_Measurement

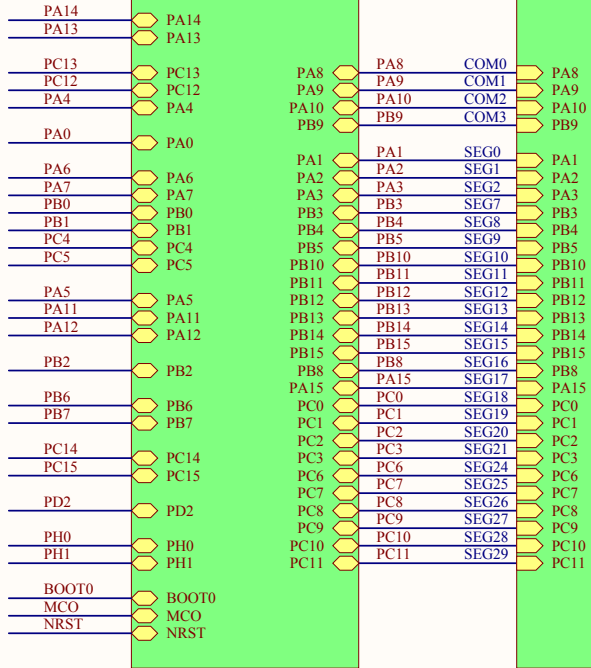


ST_LINK.SCHDOC
U_ST_LINK

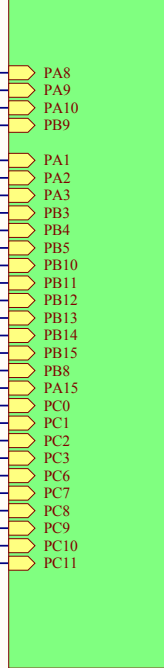


TCK/SWCLK
TMS/SWDIO
T_NRST
T_SWO

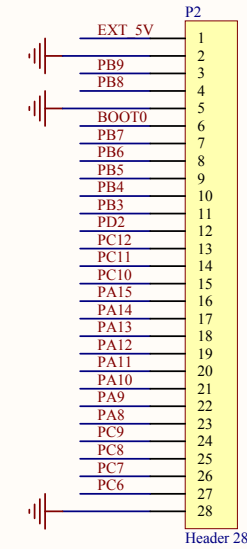
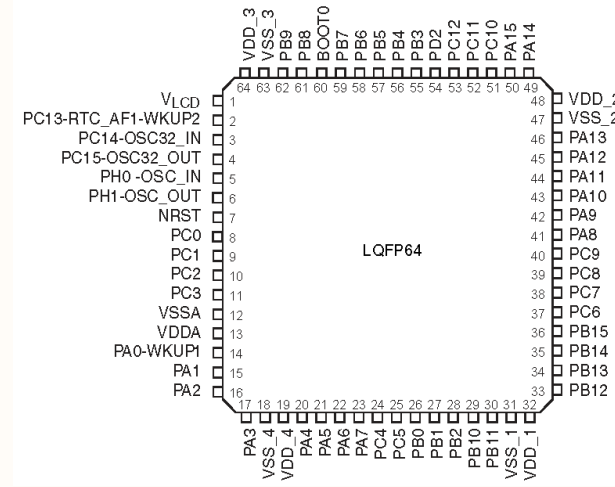
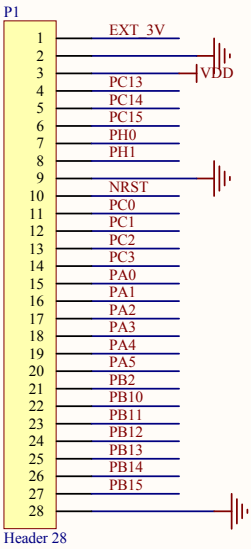
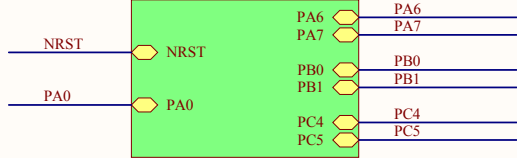
U_STM32L
STM32L.SchDoc



U_LCD_GH08172
LCD_GH08172.SchDoc



U_SLIDER_PB
SLIDER_PB.SchDoc



STMicroelectronics

Title: **STM32L-DISCOVERY**

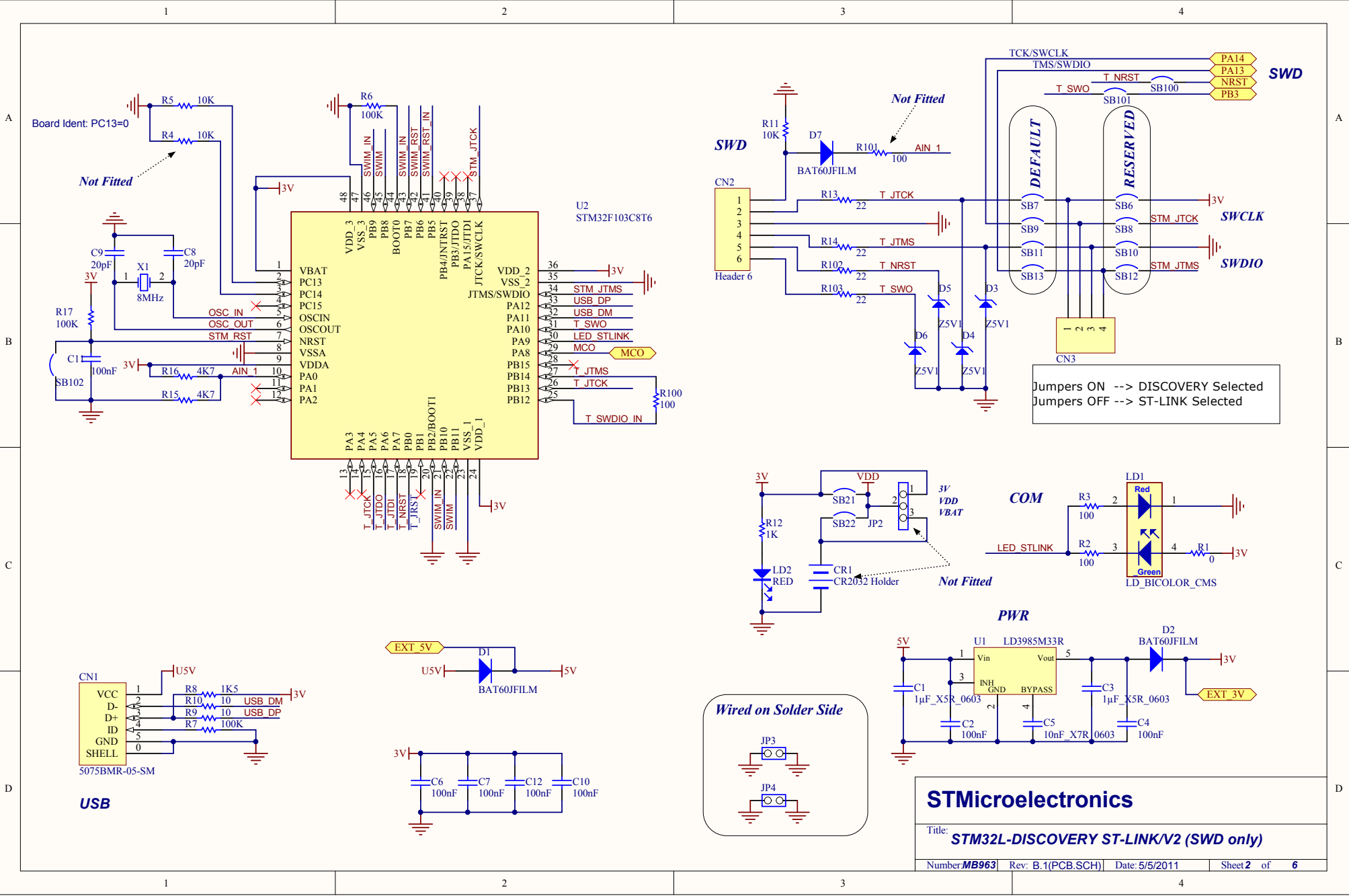
Number: **MB963** | Rev: B.1(PCB.SCH) | Date: 5/5/2011 | Sheet 1 of 6

1

2

3

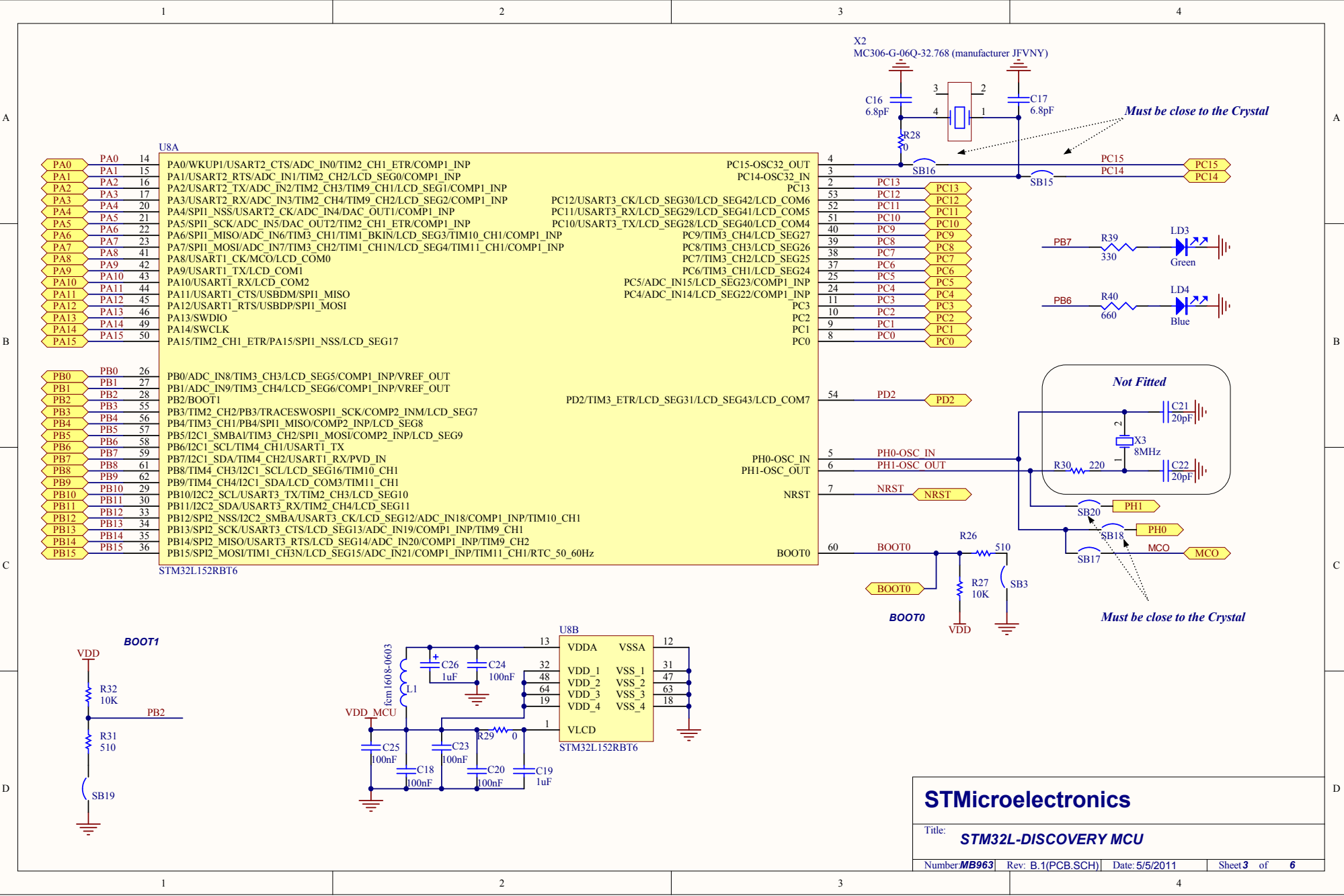
4



STMicroelectronics

Title: **STM32L-DISCOVERY ST-LINK/V2 (SWD only)**

Number: **MB963** Rev: B.1(PCB.SCH) Date: 5/5/2011 Sheet 2 of 6

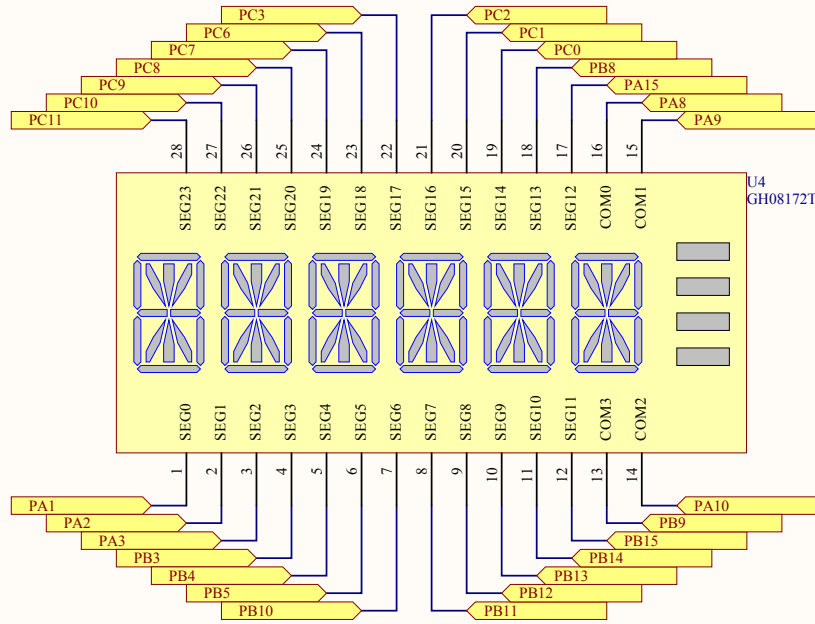


STMicroelectronics

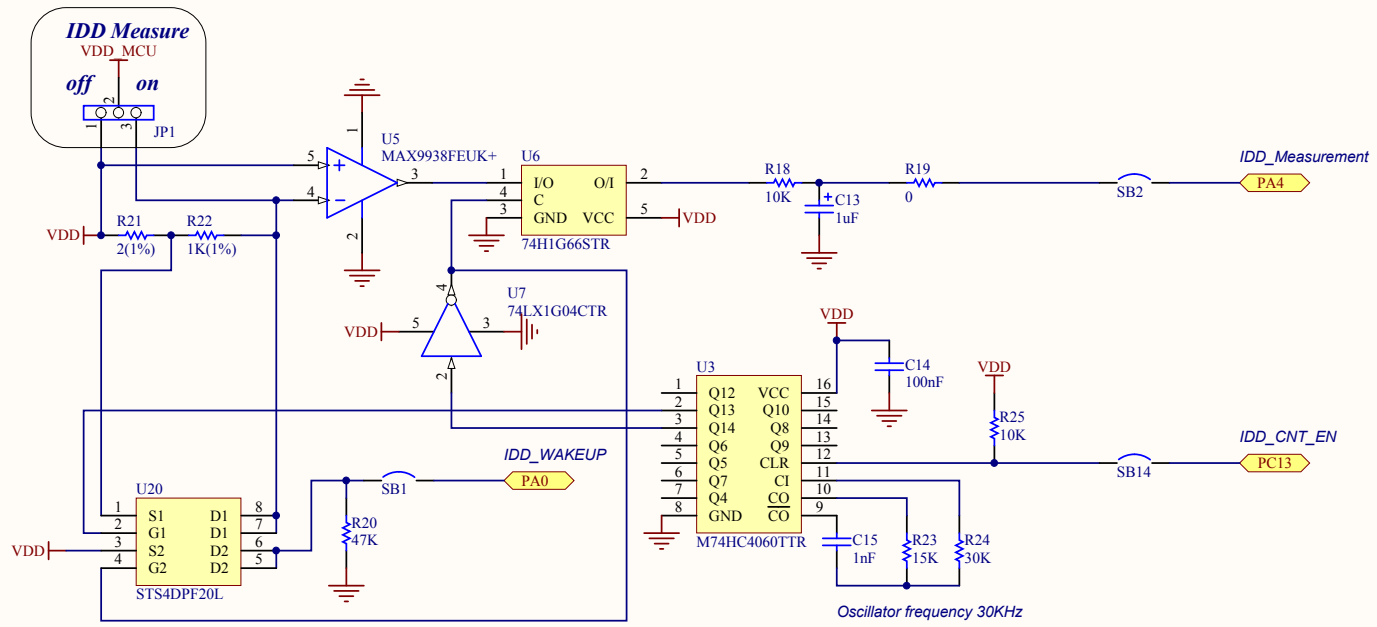
Title: **STM32L-DISCOVERY MCU**

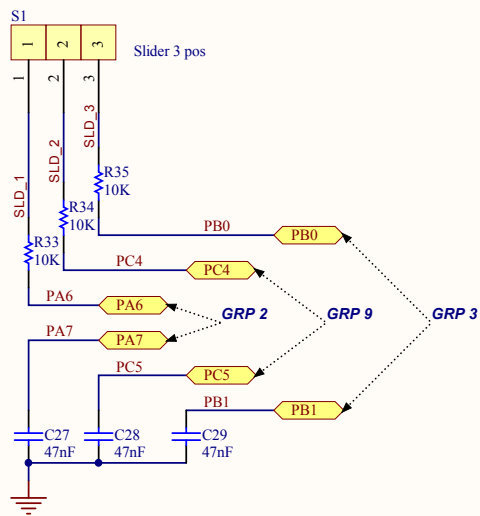
Number: **MB963** | Rev: B.1(PCB.SCH) | Date: 5/5/2011 | Sheet **3** of **6**

LCD

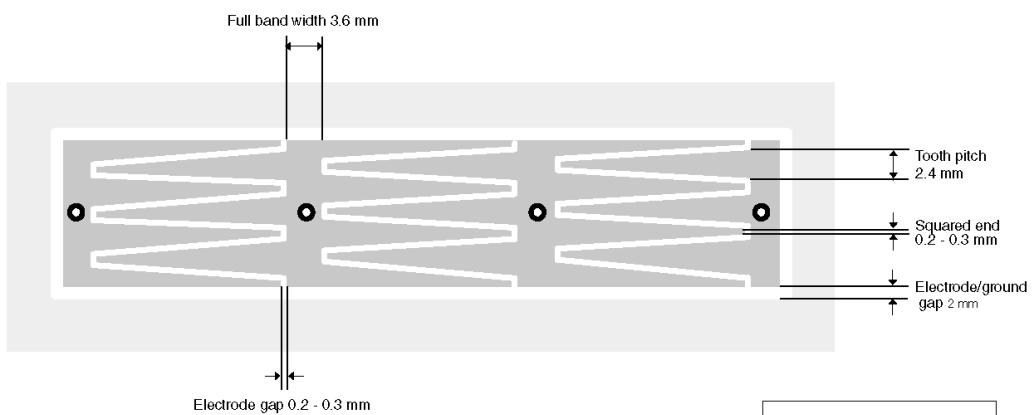


STMicroelectronics			
Title: STM32L-DISCOVERY LCD			
Number: MB963	Rev: B.1(PCB.SCH)	Date: 5/5/2011	Sheet 4 of 6

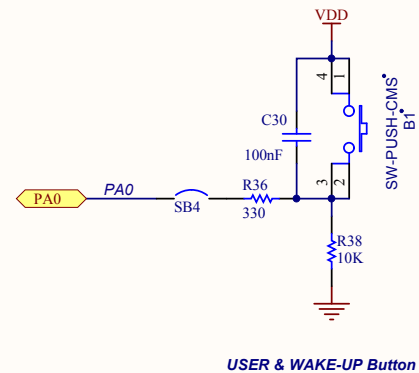
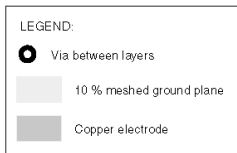




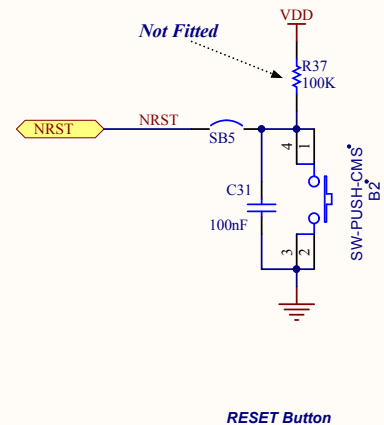
SLIDER 3 Positions



Interlaced slider with three elements (up to 60 mm long)



USER & WAKE-UP Button



RESET Button

STMicroelectronics

Title: **STM32L-DISCOVERY Linear Sensor and Push Button**

Number: **MB963** Rev: B.1(PCB.SCH) Date: 5/5/2011 Sheet **6** of **6**