

8 BIT ADDRESSABLE LATCH

- SERIAL DATA INPUT - ACTIVE PARALLEL OUTPUT
- STORAGE REGISTER CAPABILITY - MASTER CLEAR
- CAN FUNCTION AS DEMULTIPLEXER
- STANDARDIZED, SYMMETRICAL OUTPUT CHARACTER
- 100% TESTED FOR QUIESCENT CURRENT AT 20V
- MAXIMUM INPUT CURRENT OF 1 μ A AT 18V (full package-temperature range), 100nA AT 18V AND 25 $^{\circ}$ C
- NOISE MARGIN (full package-temperature range) = 1V AT V_{DD} = 5V, 2V AT V_{DD} = 10V, 2.5V AT V_{DD} = 15V
- 5V, 10V, AND 15V PARAMETRIC RATINGS
- MEETS ALL REQUIREMENTS OF JEDEC TENTATIVE STANDARD N. 13A, "STANDARD SPECIFICATIONS FOR DESCRIPTION OF 'B' SERIES CMOS DEVICES"

APPLICATION

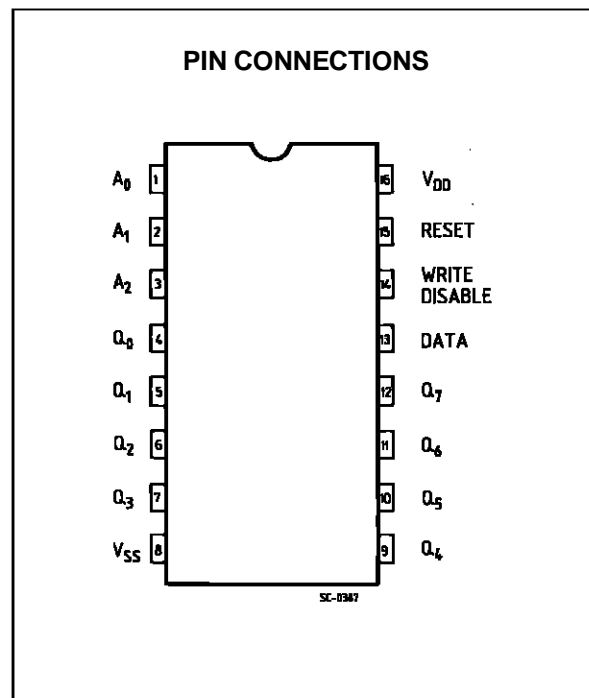
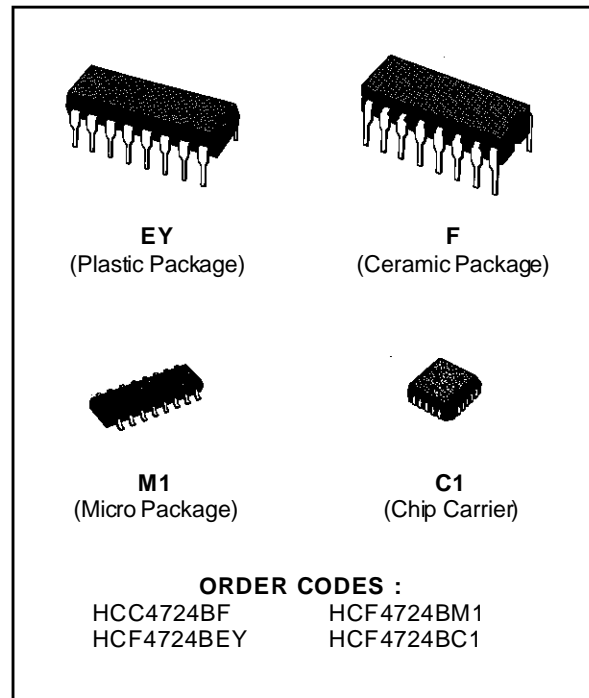
- MULTI-LINE DECODERS
- A/D CONVERTERS

DESCRIPTION

The **HCC/HCF4724B** 8-bit addressable latch is a serial-input, parallel-output storage register that can perform a variety of functions.

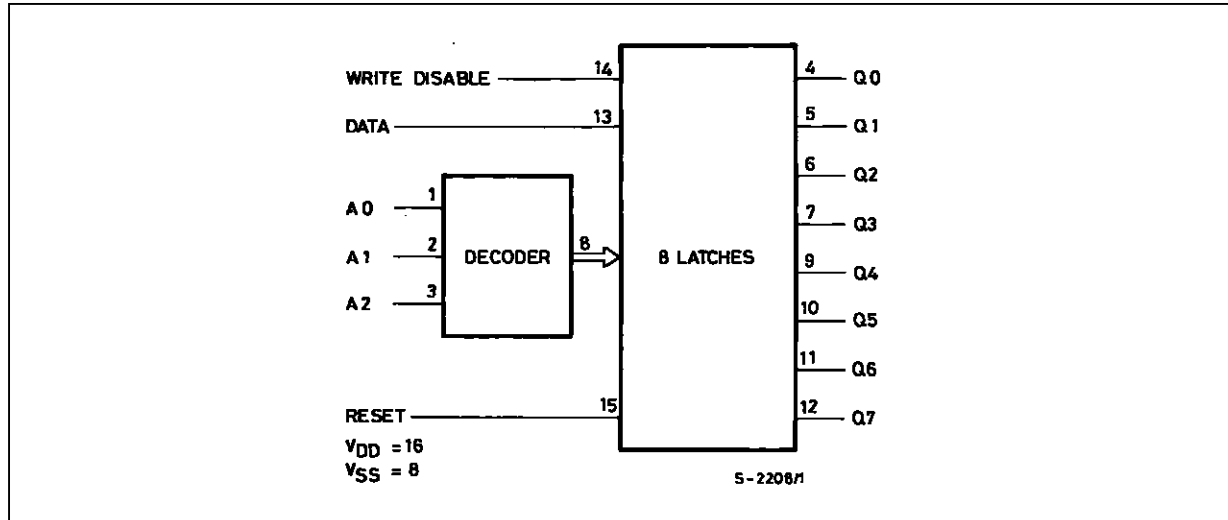
Data are inputted to a particular bit in the latch when that bit is addressed (by means of inputs A₀, A₁, A₂) and when WRITE DISABLE is at low level. When WRITE DISABLE is high, data entry is inhibited however, all 8 outputs can be continuously read independent of WRITE DISABLE and address inputs.

A master RESET input is available, which resets all bits to a logic "0" level when RESET and WRITE DISABLE are at a high level. When RESET is at a high level, and WRITE DISABLE is at a low level, the latch acts as a 1-of-8 demultiplexer; the bit that is addressed has an active output which follows the data input, while all unaddressed bits are held to a logic "0" level.



HCC/HCF4724B

FUNCTIONAL DIAGRAM



ABSOLUTE MAXIMUM RATING

| Symbol | Parameter | Value | Unit |
|-------------------|--|-------------------------------|----------|
| V _{DD} * | Supply Voltage: HCC Types HCF Types | -0.5 to +20 -0.5 to +18 | V V |
| V _i | Input Voltage | -0.5 to V _{DD} + 0.5 | V |
| I _i | DC Input Current (any one input) | ± 10 | mA |
| P _{tot} | Total Power Dissipation (per package) Dissipation per Output Transistor for Top = Full Package Temperature Range | 200 100 | mW mW |
| T _{op} | Operating Temperature: HCC Types HCF Types | -55 to +125 -40 to +85 | °C °C |
| T _{stg} | Storage Temperature | -65 to +150 | °C |

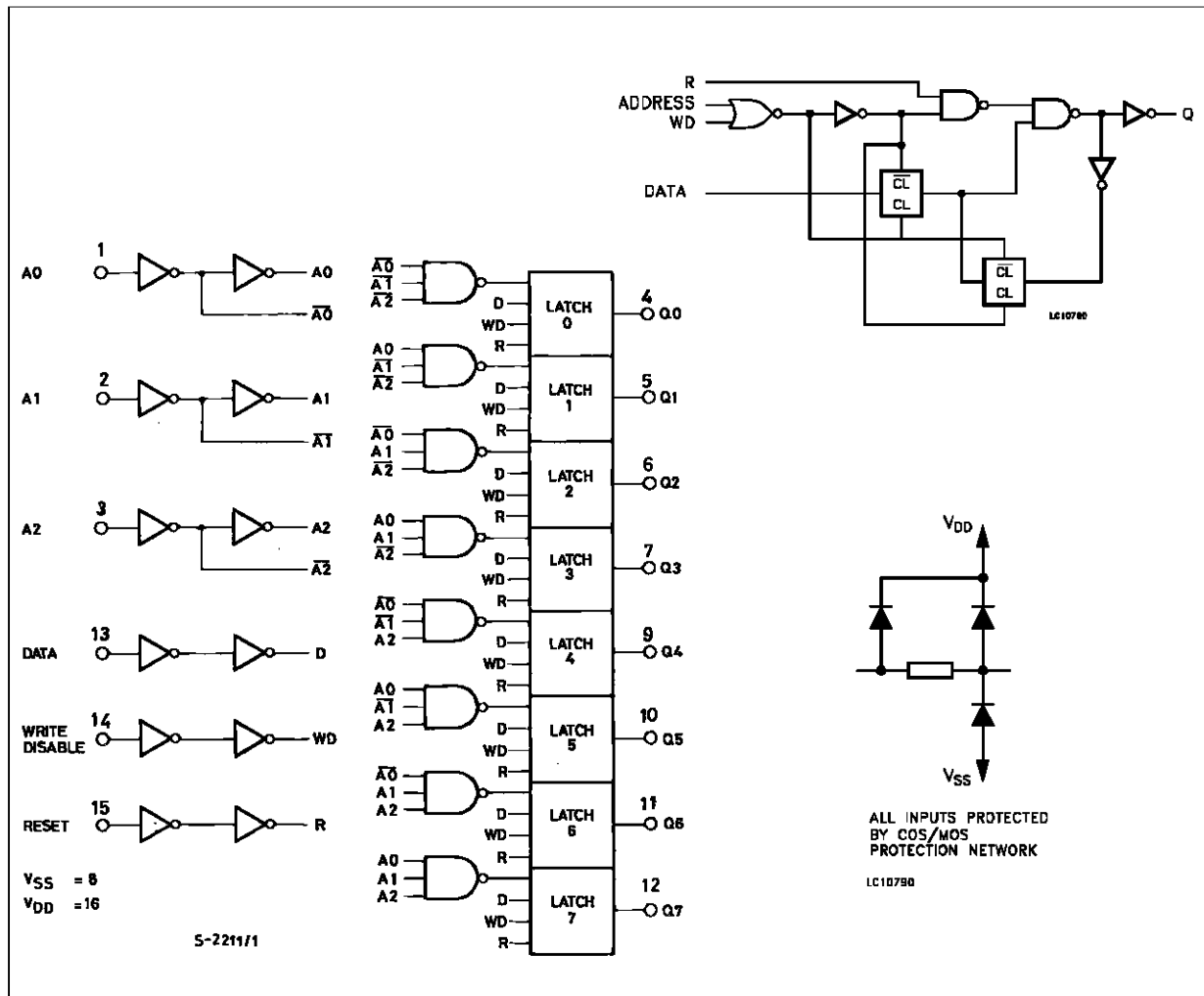
Stresses above those listed under "Absolute Maximum Ratings" may cause permanent damage to the device. This is a stress rating only and functional operation of the device at these or any other conditions above those indicated in the operational sections of this specification is not implied. Exposure to absolute maximum rating conditions for external periods may affect device reliability.

* All voltage values are referred to V_{SS} pin voltage.

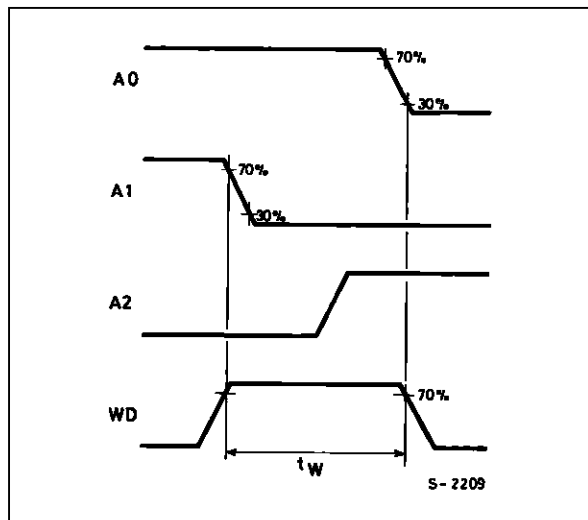
RECOMMENDED OPERATING CONDITIONS

| Symbol | Parameter | Value | Unit |
|-----------------|---|---------------------------|----------|
| V _{DD} | Supply Voltage: HCC Types HCF Types | 3 to 18 3 to 15 | V V |
| V _i | Input Voltage | 0 to V _{DD} | V |
| T _{op} | Operating Temperature: HCC Types HCF Types | -55 to +125 -40 to +85 | °C °C |

LOGIC DIAGRAM



Definition of WRITE DISABLE ON Time



MODE SELECTION

| TYPE | WD | R | Addressed Latch | Unaddressed Latch |
|------|----|---|--|---------------------|
| A | 0 | 0 | Follows Data | Hold Previous State |
| B | 0 | 1 | Follows Data (Active High 8-Channel Demultiplexer) | Reset to "0" |
| C | 1 | 0 | Hold Previous State | |
| D | 1 | 1 | Reset to "0" | Reset to "0" |

WD = WRITE DISABLE R= RESET

STATIC ELECTRICAL CHARACTERISTICS (over recommended operating conditions)

| Symbol | Parameter | | Test Conditions | | | | Value | | | | | | Unit | |
|-----------------------------------|-----------------------|-----------|-----------------------|-----------------------|--------------------------------|------------------------|--------------------|------|------------------------|-----------|------|---------------------|---------|---------|
| | | | V _I (V) | V _O (V) | I _O (μ A) | V _{DD} (V) | T _{LOW} * | | 25 °C | | | T _{HIGH} * | | |
| | | | | | | | Min. | Max. | Min. | Typ. | Max. | Min. | | Max. |
| I _L | Quiescent Current | HCC Types | 0/5 | | | 5 | | 5 | | 0.04 | 5 | | 150 | μ A |
| | | | 0/10 | | | 10 | | 10 | | 0.04 | 10 | | 300 | |
| | | | 0/15 | | | 15 | | 20 | | 0.04 | 20 | | 600 | |
| | | | 0/20 | | | 20 | | 100 | | 0.08 | 100 | | 3000 | |
| | | HCF Types | 0/5 | | | 5 | | 20 | | 0.04 | 20 | | 150 | |
| | | | 0/10 | | | 10 | | 40 | | 0.04 | 40 | | 300 | |
| V _{OH} | Output High Voltage | | 0/5 | | < 1 | 5 | 4.95 | | 4.95 | | | 4.95 | | V |
| | | | 0/10 | | < 1 | 10 | 9.95 | | 9.95 | | | 9.95 | | |
| | | | 0/15 | | < 1 | 15 | 14.95 | | 14.95 | | | 14.95 | | |
| V _{OL} | Output Low Voltage | | 5/0 | | < 1 | 5 | | 0.05 | | | 0.05 | | 0.05 | V |
| | | | 10/0 | | < 1 | 10 | | 0.05 | | | 0.05 | | 0.05 | |
| | | | 15/0 | | < 1 | 15 | | 0.05 | | | 0.05 | | 0.05 | |
| V _{IH} | Input High Voltage | | | 0.5/4.5 | < 1 | 5 | 3.5 | | 3.5 | | | 3.5 | | V |
| | | | | 1/9 | < 1 | 10 | 7 | | 7 | | | 7 | | |
| | | | | 1.5/13.5 | < 1 | 15 | 11 | | 11 | | | 11 | | |
| V _{IL} | Input Low Voltage | | | 4.5/0.5 | < 1 | 5 | | 1.5 | | | 1.5 | | 1.5 | V |
| | | | | 9/1 | < 1 | 10 | | 3 | | | 3 | | 3 | |
| | | | | 13.5/1.5 | < 1 | 15 | | 4 | | | 4 | | 4 | |
| I _{OH} | Output Drive Current | HCC Types | 0/5 | 2.5 | | 5 | -2 | | -1.6 | -3.2 | | -1.15 | | mA |
| | | | 0/5 | 4.6 | | 5 | -0.64 | | -0.51 | -1 | | -0.36 | | |
| | | | 0/10 | 9.5 | | 10 | -1.6 | | -1.3 | -2.6 | | -0.9 | | |
| | | | 0/15 | 13.5 | | 15 | -4.2 | | -3.4 | -6.8 | | -2.4 | | |
| | | HCF Types | 0/5 | 2.5 | | 5 | -1.8 | | -1.6 | -3.2 | | -1.3 | | |
| | | | 0/5 | 4.6 | | 5 | -0.61 | | -0.51 | -1 | | -0.42 | | |
| | | | 0/10 | 9.5 | | 10 | -1.5 | | -1.3 | -2.6 | | -1.1 | | |
| | 0/15 | 13.5 | | 15 | -4 | | -3.4 | -6.8 | | -2.8 | | | | |
| I _{OL} | Output Sink Current | HCC Types | 0/5 | 0.4 | | 5 | 0.64 | | 0.51 | 1 | | 0.36 | | mA |
| | | | 0/10 | 0.5 | | 10 | 1.6 | | 1.3 | 2.6 | | 0.9 | | |
| | | | 0/15 | 1.5 | | 15 | 4.2 | | 3.4 | 6.8 | | 2.4 | | |
| | | HCF Types | 0/5 | 0.4 | | 5 | 0.61 | | 0.51 | 1 | | 0.42 | | |
| | | | 0/10 | 0.5 | | 10 | 1.5 | | 1.3 | 2.6 | | 1.1 | | |
| | | | 0/15 | 1.5 | | 15 | 4 | | 3.4 | 6.8 | | 2.8 | | |
| I _{IH} , I _{IL} | Input Leakage Current | 0/18 | Any Input | | 18 | | \pm 0.1 | | \pm 10 ⁻⁵ | \pm 0.1 | | \pm 1 | μ A | |
| C _I | Input Capacitance | | Any Input | | | | | | 5 | 7.5 | | | pF | |

* T_{LOW} = -55 °C for HCC device; -40 °C for HCF device.

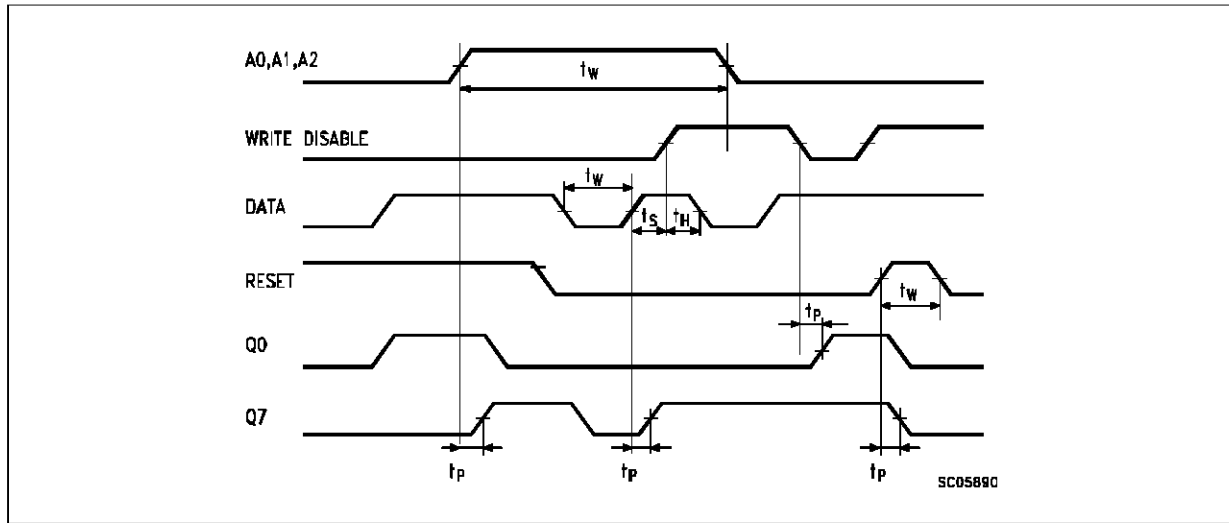
* T_{HIGH} = +125 °C for HCC device; +85 °C for HCF device.

The Noise Margin for both "1" and "0" level is: 1V min. with V_{DD} = 5V, 2V min. with V_{DD} = 10V, 2.5V min. with V_{DD} = 15V

DYNAMIC ELECTRICAL CHARACTERISTICS ($T_{amb} = 25\text{ }^{\circ}\text{C}$, $C_L = 50\text{ pF}$, $R_L = 200\text{ K}\Omega$, typical temperature coefficient for all V_{DD} values is $03\text{ } \%/^{\circ}\text{C}$, all input rise and fall times = 20 ns)

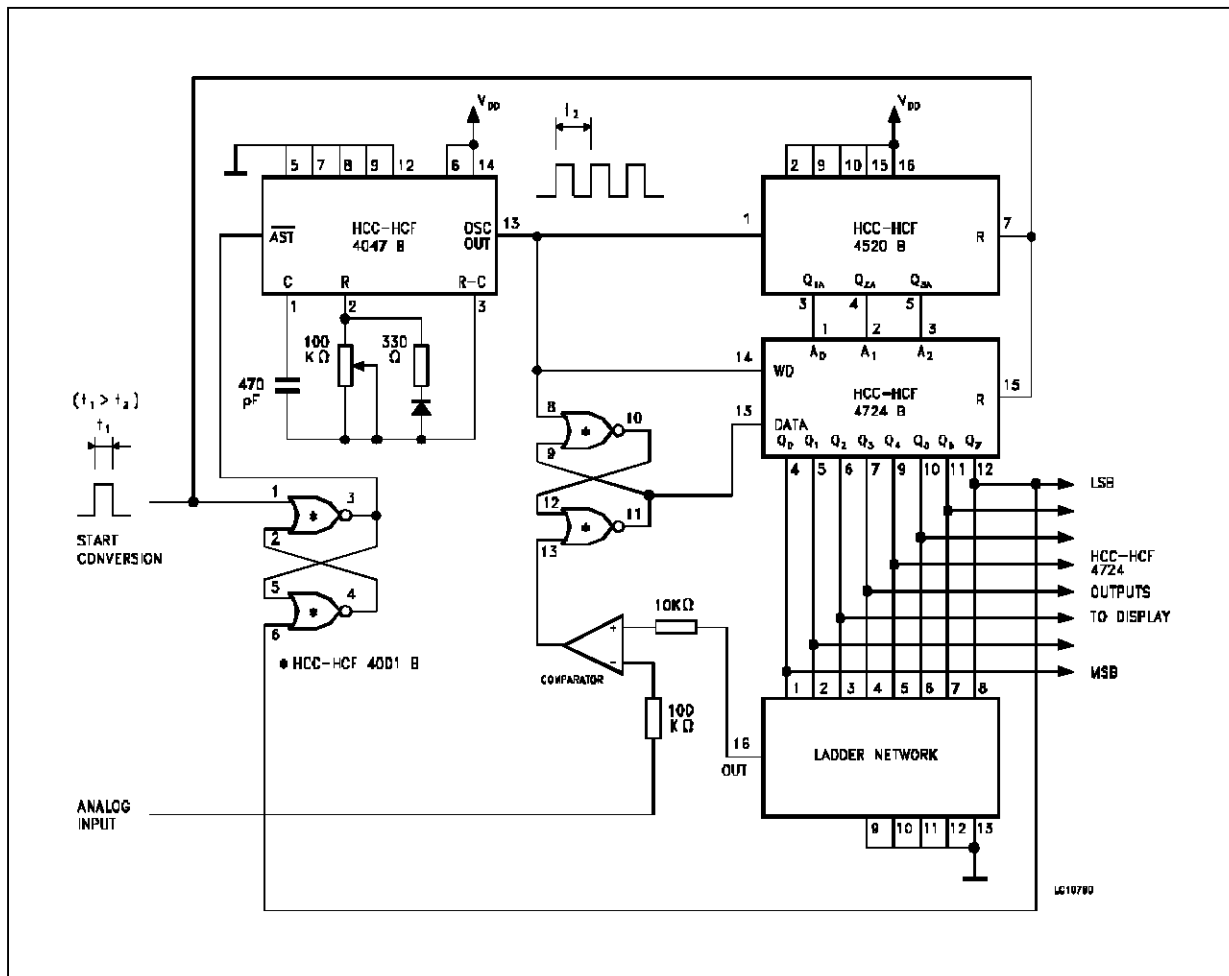
| Symbol | Parameter | Test Conditions | Value | | | Unit | |
|------------------------|---|-----------------|--------------|------|------|------|------|
| | | | V_{DD} (V) | Min. | Typ. | | Max. |
| t_{PLH} t_{PHL} | Propagation Delay Time Data to Output | (See Figure 1) | 5 | | 200 | 400 | ns |
| | | | 10 | | 75 | 150 | |
| | | | 15 | | 50 | 100 | |
| t_{PLH} t_{PHL} | Propagation Delay Time Write Disable to Output | (See Figure 1) | 5 | | 200 | 400 | ns |
| | | | 10 | | 80 | 160 | |
| | | | 15 | | 60 | 120 | |
| t_{PHL} | Propagation Delay Time Reset to Output | (See Figure 1) | 5 | | 175 | 350 | ns |
| | | | 10 | | 80 | 160 | |
| | | | 15 | | 65 | 130 | |
| t_{PLH} t_{PHL} | Propagation Delay Time Address to Output | (See Figure 1) | 5 | | 225 | 450 | ns |
| | | | 10 | | 100 | 200 | |
| | | | 15 | | 75 | 150 | |
| t_{TLH} t_{THL} | Transition Time Any Output | | 5 | | 100 | 200 | ns |
| | | | 10 | | 50 | 100 | |
| | | | 15 | | 40 | 80 | |
| t_w | Minimum Pulse Width Data | (See Figure 1) | 5 | | 100 | 200 | ns |
| | | | 10 | | 50 | 100 | |
| | | | 15 | | 40 | 80 | |
| | Minimum Pulse Width Address | (See Figure 1) | 5 | | 200 | 400 | ns |
| | | | 10 | | 100 | 200 | |
| | | | 15 | | 65 | 125 | |
| | Minimum Pulse Width Reset | (See Figure 1) | 5 | | 75 | 150 | ns |
| | | | 10 | | 40 | 75 | |
| | | | 15 | | 25 | 50 | |
| t_s | Minimum Setup Time Data to Write Disable | (See Figure 1) | 5 | | 50 | 100 | ns |
| | | | 10 | | 25 | 50 | |
| | | | 15 | | 20 | 35 | |
| t_H | Minimum Hold Time Data to Write Disable | (See Figure 1) | 5 | | 75 | 150 | ns |
| | | | 10 | | 40 | 75 | |
| | | | 15 | | 25 | 50 | |
| C_{IN} | Input Capacitance | | Any Input | | 5 | 7.5 | pF |

Figure 1: Master Timing Diagram

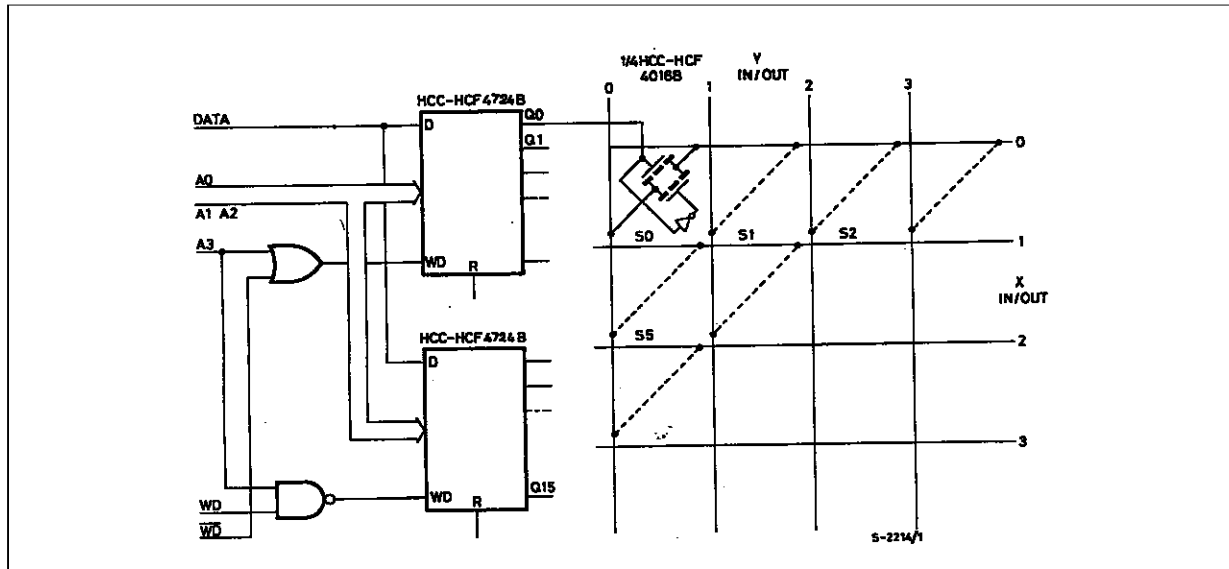


TYPICAL APPLICATIONS

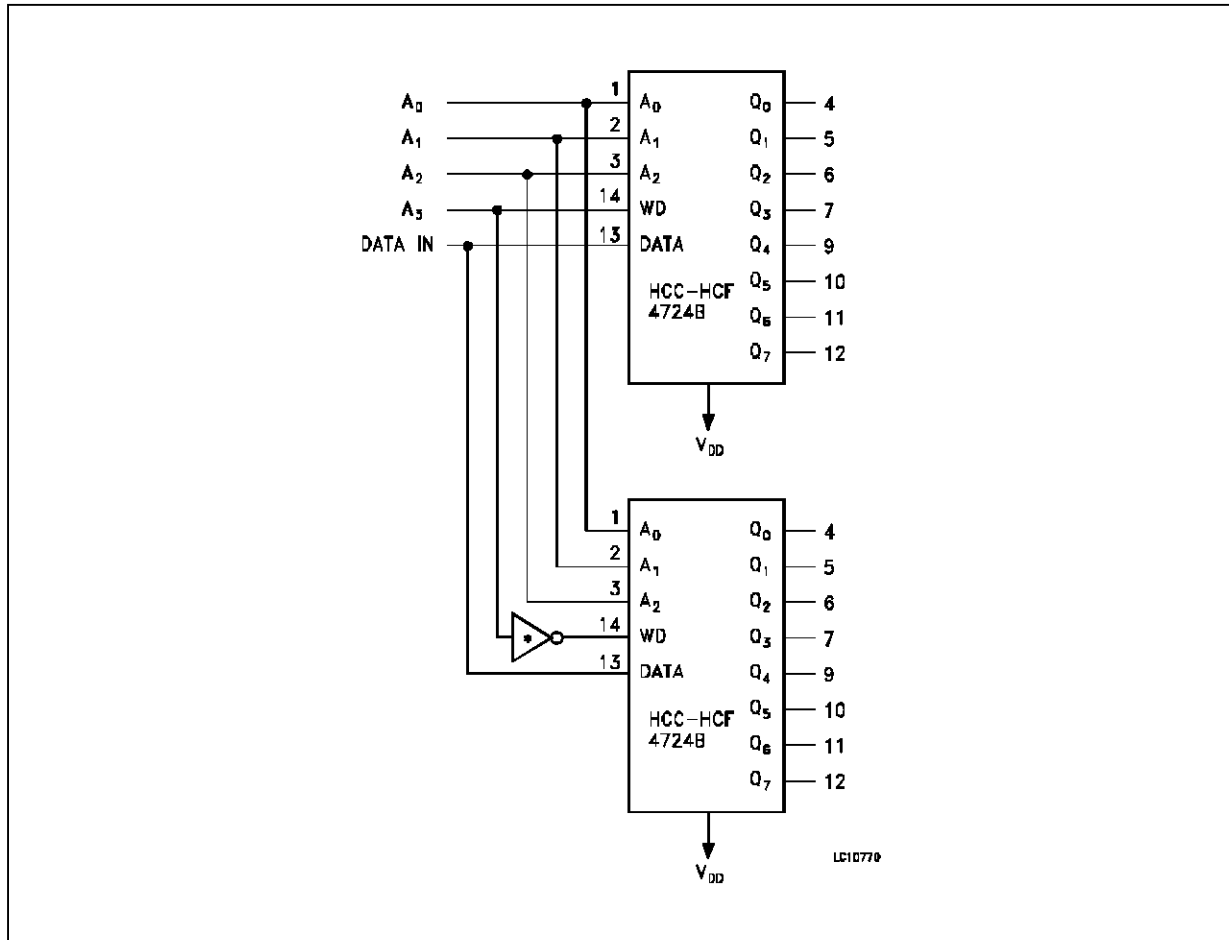
A/D Converter



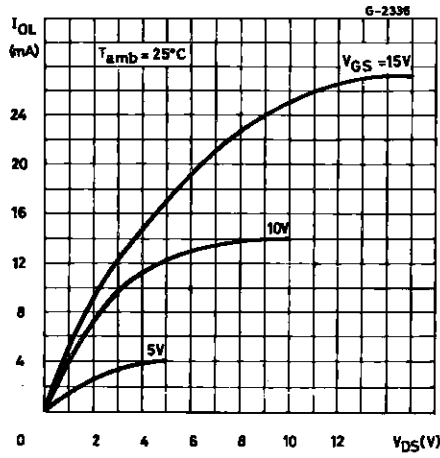
Multiple Selection Decoding - 4 x 4 Crosspoint Switch



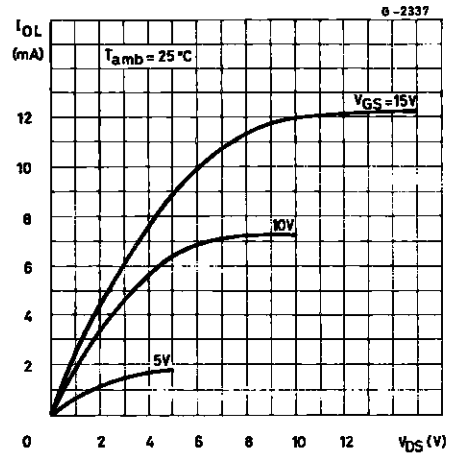
1 of 6 Decoder/Demultiplexer



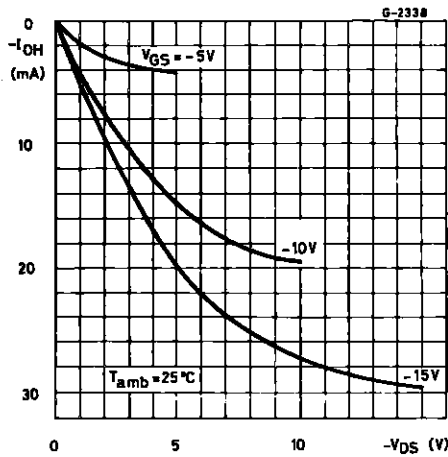
Typical Output Low (sink) Current Characteristics



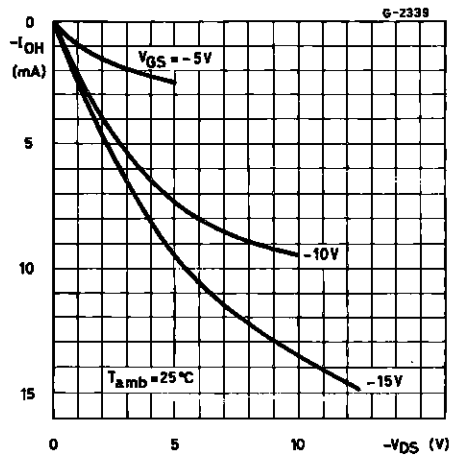
Minimum Output Low (sink) Current Characteristics



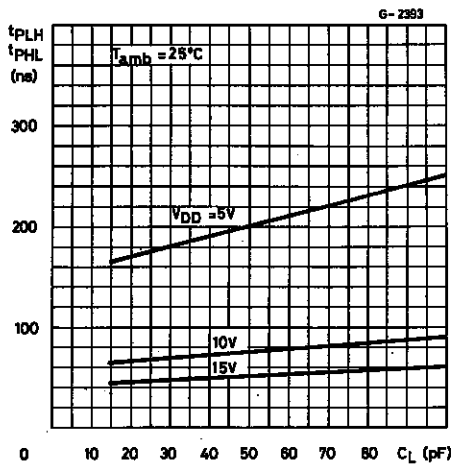
Typical Output High (source) Current Characteristics



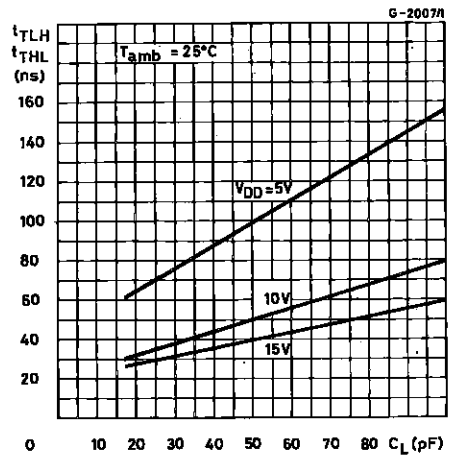
Minimum Output High (source) Current Characteristics



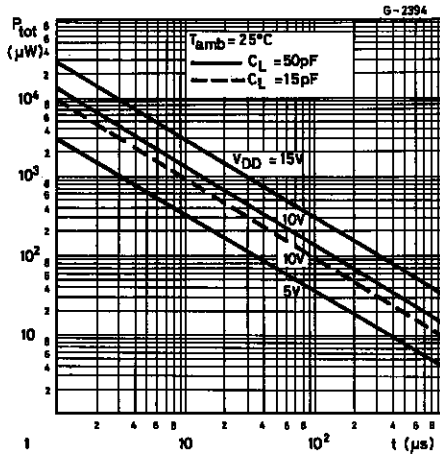
Typical Propagation Delay Time (data to Qn) vs Load Capacitance



Typical Transition Time vs Load Capacitance

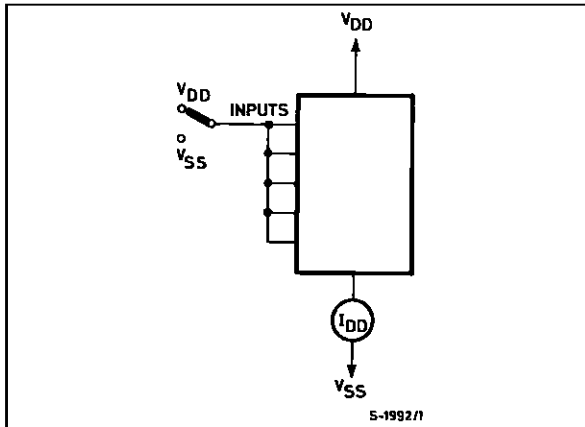


Typical Dynamic Power Dissipation vs Address Cycle Time

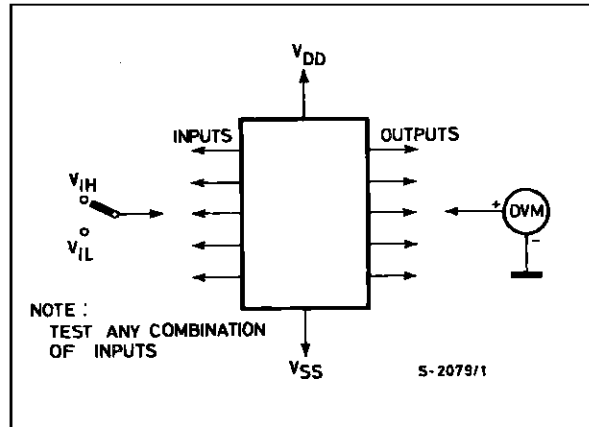


TEST CIRCUITS

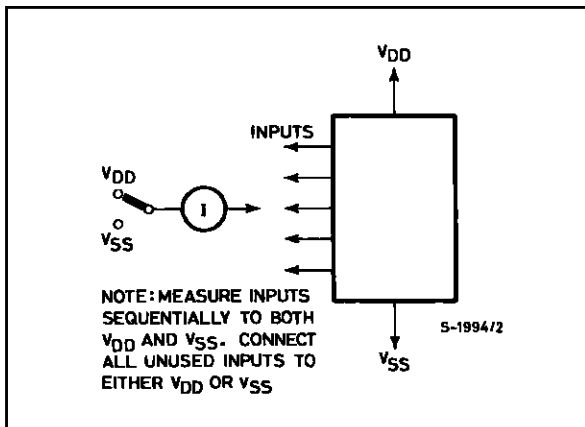
Quiescent Device Current



Noise Immunity.



Input Leakage Current.



Plastic DIP16 (0.25) MECHANICAL DATA

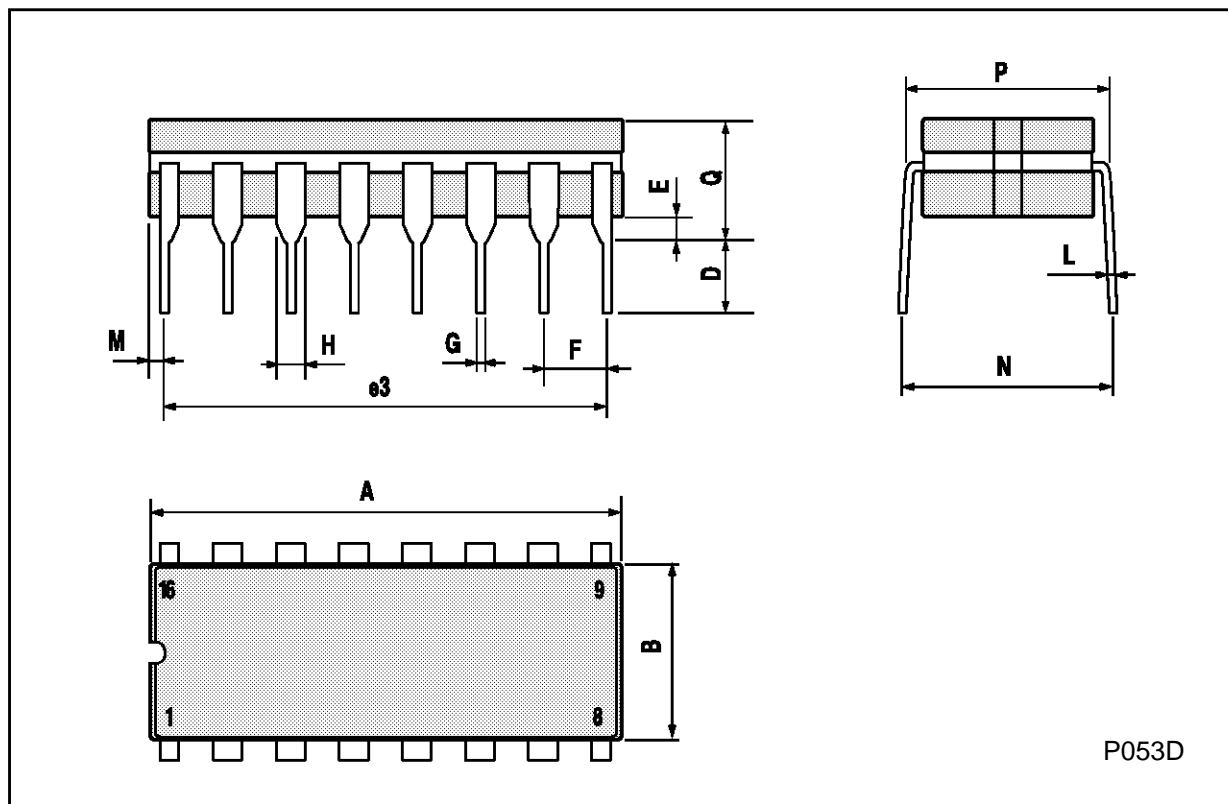
| DIM. | mm | | | inch | | |
|------|------|-------|------|-------|-------|-------|
| | MIN. | TYP. | MAX. | MIN. | TYP. | MAX. |
| a1 | 0.51 | | | 0.020 | | |
| B | 0.77 | | 1.65 | 0.030 | | 0.065 |
| b | | 0.5 | | | 0.020 | |
| b1 | | 0.25 | | | 0.010 | |
| D | | | 20 | | | 0.787 |
| E | | 8.5 | | | 0.335 | |
| e | | 2.54 | | | 0.100 | |
| e3 | | 17.78 | | | 0.700 | |
| F | | | 7.1 | | | 0.280 |
| I | | | 5.1 | | | 0.201 |
| L | | 3.3 | | | 0.130 | |
| Z | | | 1.27 | | | 0.050 |



P001C

Ceramic DIP16/1 MECHANICAL DATA

| DIM. | mm | | | inch | | |
|------|------|-------|------|-------|-------|-------|
| | MIN. | TYP. | MAX. | MIN. | TYP. | MAX. |
| A | | | 20 | | | 0.787 |
| B | | | 7 | | | 0.276 |
| D | | 3.3 | | | 0.130 | |
| E | 0.38 | | | 0.015 | | |
| e3 | | 17.78 | | | 0.700 | |
| F | 2.29 | | 2.79 | 0.090 | | 0.110 |
| G | 0.4 | | 0.55 | 0.016 | | 0.022 |
| H | 1.17 | | 1.52 | 0.046 | | 0.060 |
| L | 0.22 | | 0.31 | 0.009 | | 0.012 |
| M | 0.51 | | 1.27 | 0.020 | | 0.050 |
| N | | | 10.3 | | | 0.406 |
| P | 7.8 | | 8.05 | 0.307 | | 0.317 |
| Q | | | 5.08 | | | 0.200 |



SO16 (Narrow) MECHANICAL DATA

| DIM. | mm | | | inch | | |
|------|------------|------|------|-------|-------|-------|
| | MIN. | TYP. | MAX. | MIN. | TYP. | MAX. |
| A | | | 1.75 | | | 0.068 |
| a1 | 0.1 | | 0.2 | 0.004 | | 0.007 |
| a2 | | | 1.65 | | | 0.064 |
| b | 0.35 | | 0.46 | 0.013 | | 0.018 |
| b1 | 0.19 | | 0.25 | 0.007 | | 0.010 |
| C | | 0.5 | | | 0.019 | |
| c1 | 45° (typ.) | | | | | |
| D | 9.8 | | 10 | 0.385 | | 0.393 |
| E | 5.8 | | 6.2 | 0.228 | | 0.244 |
| e | | 1.27 | | | 0.050 | |
| e3 | | 8.89 | | | 0.350 | |
| F | 3.8 | | 4.0 | 0.149 | | 0.157 |
| G | 4.6 | | 5.3 | 0.181 | | 0.208 |
| L | 0.5 | | 1.27 | 0.019 | | 0.050 |
| M | | | 0.62 | | | 0.024 |
| S | 8° (max.) | | | | | |



PLCC20 MECHANICAL DATA

| DIM. | mm | | | inch | | |
|------|------|------|-------|-------|-------|-------|
| | MIN. | TYP. | MAX. | MIN. | TYP. | MAX. |
| A | 9.78 | | 10.03 | 0.385 | | 0.395 |
| B | 8.89 | | 9.04 | 0.350 | | 0.356 |
| D | 4.2 | | 4.57 | 0.165 | | 0.180 |
| d1 | | 2.54 | | | 0.100 | |
| d2 | | 0.56 | | | 0.022 | |
| E | 7.37 | | 8.38 | 0.290 | | 0.330 |
| e | | 1.27 | | | 0.050 | |
| e3 | | 5.08 | | | 0.200 | |
| F | | 0.38 | | | 0.015 | |
| G | | | 0.101 | | | 0.004 |
| M | | 1.27 | | | 0.050 | |
| M1 | | 1.14 | | | 0.045 | |



Information furnished is believed to be accurate and reliable. However, SGS-THOMSON Microelectronics assumes no responsibility for the consequences of use of such information nor for any infringement of patents or other rights of third parties which may result from its use. No license is granted by implication or otherwise under any patent or patent rights of SGS-THOMSON Microelectronics. Specifications mentioned in this publication are subject to change without notice. This publication supersedes and replaces all information previously supplied. SGS-THOMSON Microelectronics products are not authorized for use as critical components in life support devices or systems without express written approval of SGS-THOMSON Microelectronics.

© 1994 SGS-THOMSON Microelectronics - All Rights Reserved

SGS-THOMSON Microelectronics GROUP OF COMPANIES

Australia - Brazil - France - Germany - Hong Kong - Italy - Japan - Korea - Malaysia - Malta - Morocco - The Netherlands -
Singapore - Spain - Sweden - Switzerland - Taiwan - Thailand - United Kingdom - U.S.A