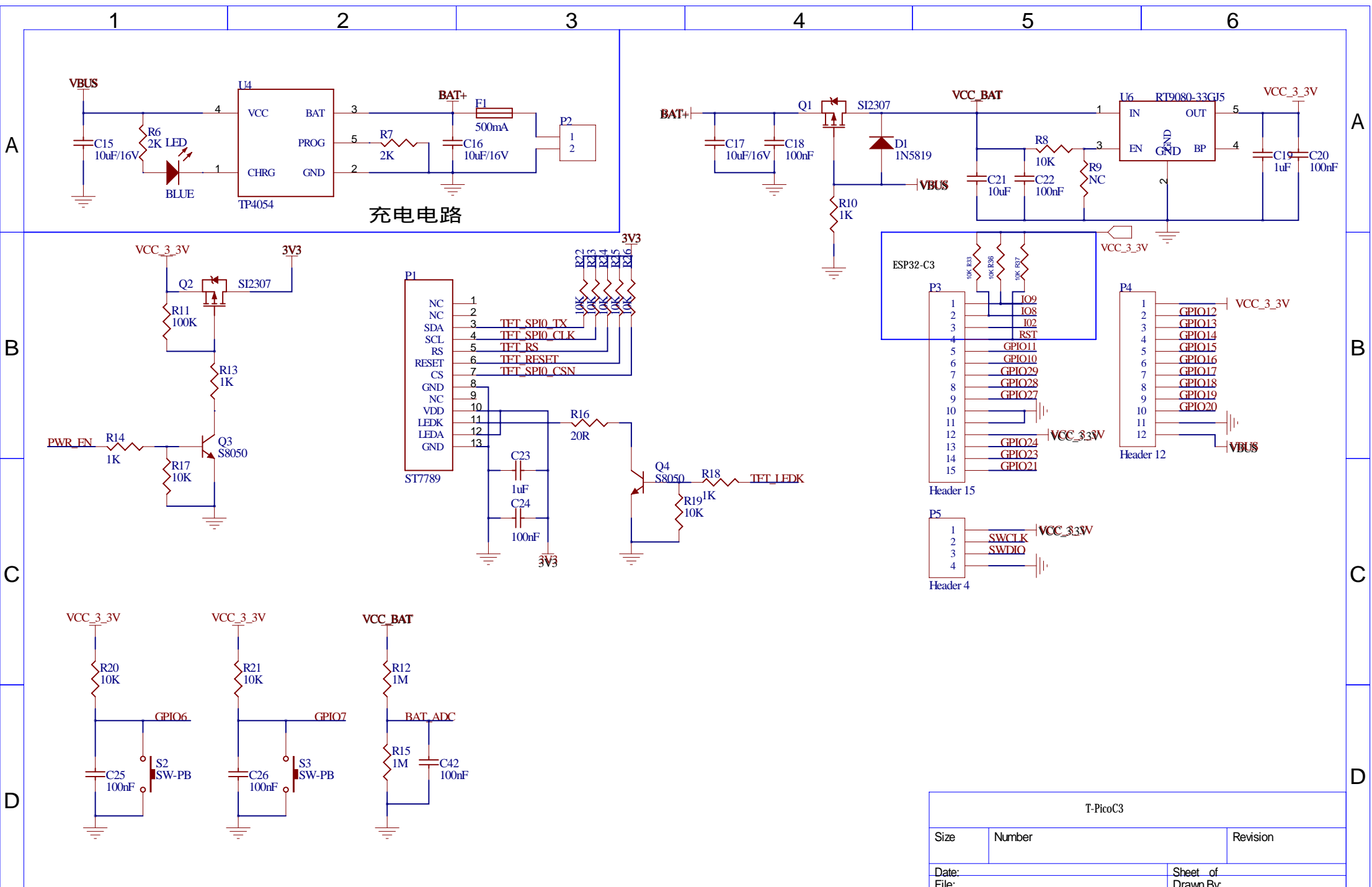


T-Pico3		
Size	Number	Revision
Date:	Sheet of	
File:	Drawn By:	



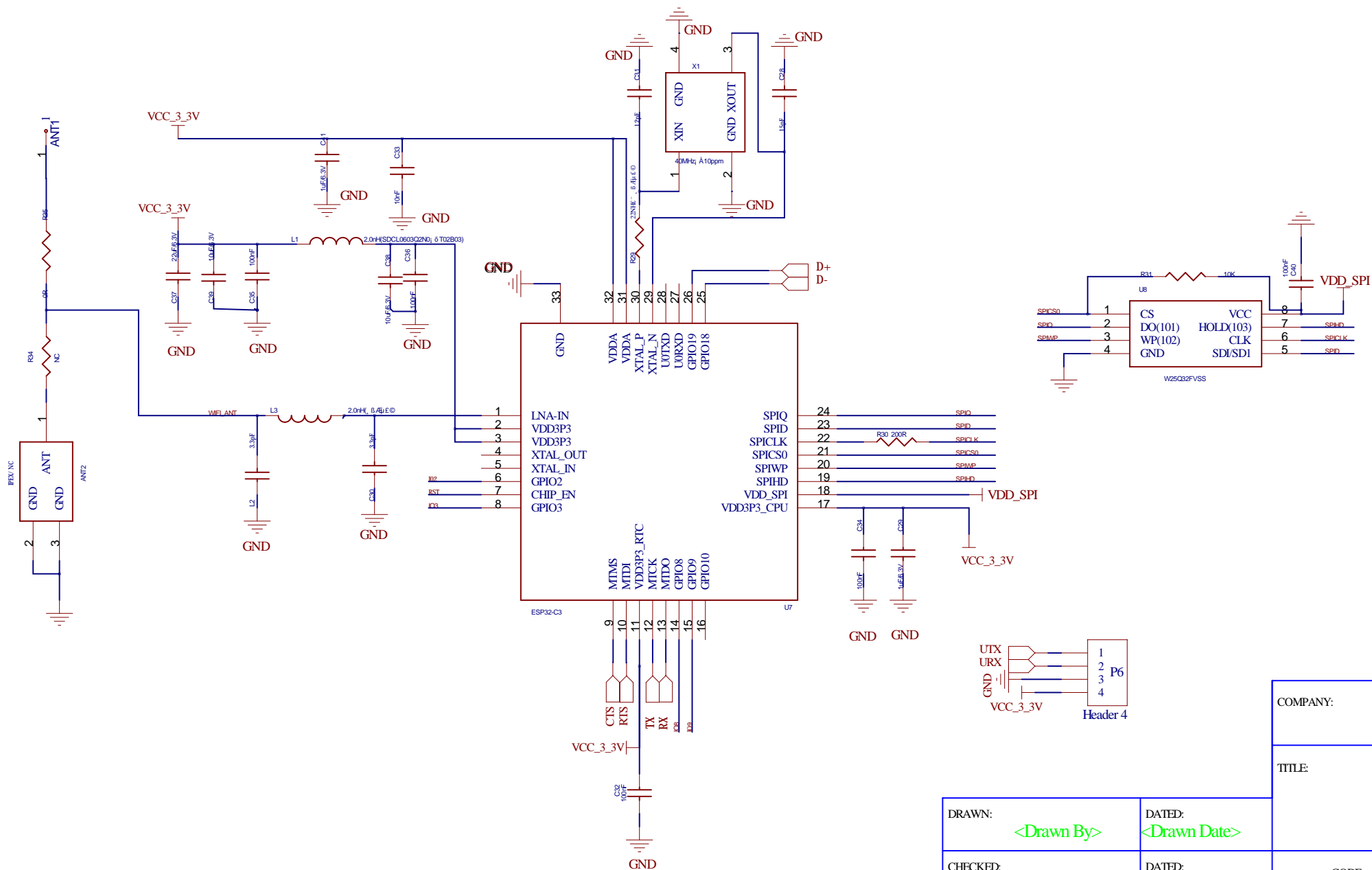
充电电路

ST7789

ESP32-C3

T-PicoC3

Size	Number	Revision
Date:	Sheet_of	
File:	Drawn_By:	



COMPANY:

TITLE:

DRAWN: <b>&lt;Drawn By&gt;</b>	DATED: <b>&lt;Drawn Date&gt;</b>
CHECKED: <b>&lt;Checked By&gt;</b>	DATED: <b>&lt;Checked Date&gt;</b>
QUALITY CONTROL: <b>&lt;QC By&gt;</b>	DATED: <b>&lt;QC Date&gt;</b>
RELEASED:	DATED:

CODE:  
**<Code>**

SIZE:  
**A4**