

DATA SHEET

LF398

Sample-and-hold amplifier

Product data
Replaces LF198/LF298/LF398 of 1994 Aug 31
IC11

2001 Aug 03

Sample-and-hold amplifier

LF398

DESCRIPTION

The LF398 is a monolithic sample-and-hold circuit which utilizes high-voltage ion-implant JFET technology to obtain ultra-high DC accuracy with fast acquisition of signal and low droop rate. Operating as a unity gain follower, DC gain accuracy is 0.002% typical and acquisition time is as low as 6 μ s to 0.01%. A bipolar input stage is used to achieve low offset voltage and wide bandwidth. Input offset adjust is accomplished with a single pin and does not degrade input offset drift. The wide bandwidth allows the LF398 to be included inside the feedback loop of 1 MHz op amps without having stability problems. Input impedance of $10^{10}\Omega$ allows high source impedances to be used without degrading accuracy.

P-channel junction FETs are combined with bipolar devices in the output amplifier to give droop rates as low as 5 mV/min with a 1 μ F hold capacitor. The JFETs have much lower noise than MOS devices used in previous designs and do not exhibit high temperature instabilities. The overall design guarantees no feedthrough from input to output in the hold mode even for input signals equal to the supply voltages.

Logic inputs are fully differential with low input current, allowing direct connection to TTL, PMOS, and CMOS; differential threshold is 1.4 V. The LF398 will operate from ± 5 V to ± 18 V supplies. It is available in 8-pin plastic DIP and 14-pin plastic SO packages.

FEATURES

- Operates from ± 5 V to ± 18 V supplies
- Less than 10 μ s acquisition time
- TTL, PMOS, CMOS compatible logic input
- 0.5 mV typical hold step at $C_H = 0.01 \mu$ F
- Low input offset
- 0.002% gain accuracy
- Low output noise in hold mode
- Input characteristics do not change during hold mode
- High supply rejection ratio in sample or hold
- Wide bandwidth

ORDERING INFORMATION

DESCRIPTION	TEMPERATURE RANGE	ORDER CODE	DWG #
14-Pin Plastic Small Outline (SO) Package	0 to +70°C	LF398D	SOT108-1
8-Pin Plastic Dual In-Line Package (DIP)	0 to +70°C	LF398N	SOT97-1

PIN CONFIGURATIONS

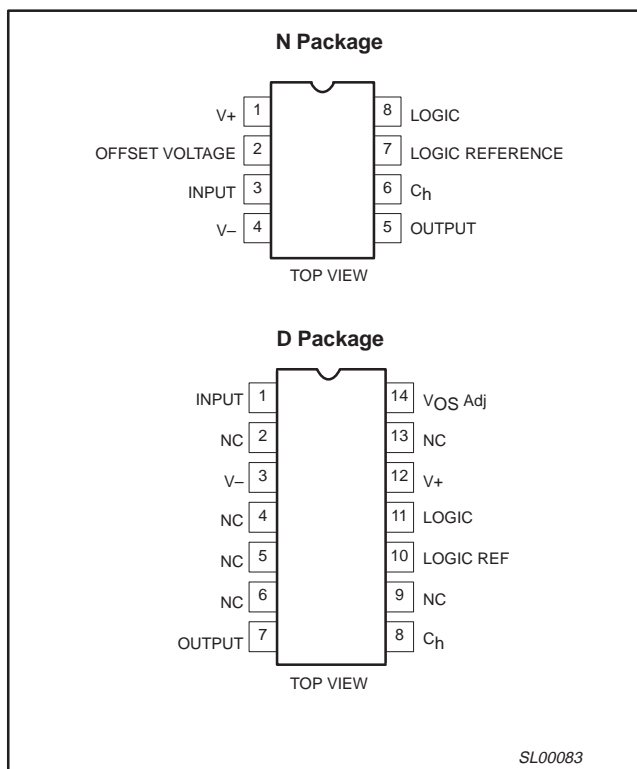


Figure 1. Pin Configurations

APPLICATION

- The LF398 is ideally suited for a wide variety of sample-and-hold applications, including data acquisition, analog-to-digital conversion, synchronous demodulation, and automatic test setup.

Sample-and-hold amplifier

LF398

FUNCTIONAL DIAGRAM

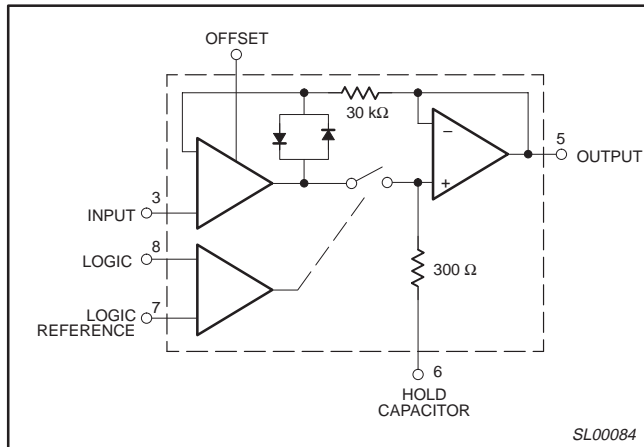


Figure 2. Functional Diagram

TYPICAL APPLICATIONS

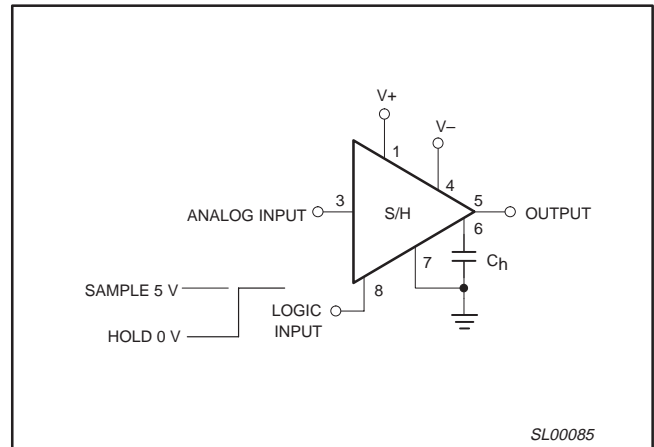


Figure 3. Typical Applications

ABSOLUTE MAXIMUM RATINGS

SYMBOL	PARAMETER	RATING	UNIT
V_S	Supply voltage	± 18	V
	Maximum power dissipation $T_{amb} = 25\text{ }^\circ\text{C}$ (still-air) ³ N package D package	1160 1040	mW mW
T_{amb}	Operating ambient temperature range	0 to +70	$^\circ\text{C}$
T_{stg}	Storage temperature range	-65 to +150	$^\circ\text{C}$
V_{IN}	Input voltage	Equal to supply voltage	
	Logic-to-logic reference differential voltage ²	+7, -30	V
	Output short-circuit duration	Indefinite	
	Hold capacitor short-circuit duration	10	sec
T_{SOLD}	Lead soldering temperature (10 sec max)	230	$^\circ\text{C}$

NOTES:

1. The maximum junction temperature of the LF398 is 150 $^\circ\text{C}$. When operating at elevated ambient temperature, the packages must be derated based on the thermal resistance specified.
2. Although the differential voltage may not exceed the limits given, the common-mode voltage on the logic pins must always be at least 2V below the positive supply and 3V above the negative supply.
3. Derate above 25 $^\circ\text{C}$, at the following rates:
N package at 9.3 mW/ $^\circ\text{C}$
D package at 8.3 mW/ $^\circ\text{C}$

Sample-and-hold amplifier

LF398

DC ELECTRICAL CHARACTERISTICS

Unless otherwise specified, the following conditions apply: unit is in "sample" mode; $V_S = \pm 15\text{ V}$; $T_j = 25\text{ }^\circ\text{C}$; $-11.5\text{ V} \leq V_{IN} \leq +11.5\text{ V}$; $C_H = 0.01\text{ }\mu\text{F}$; and $R_L = 10\text{ k}\Omega$. Logic reference voltage = 0 V and logic voltage = 2.5 V.

SYMBOL	PARAMETER	TEST CONDITIONS	Min	Typ	Max	UNIT
V_{OS}	Input offset voltage ⁴	$T_j = 25\text{ }^\circ\text{C}$ Full temperature range		2	7 10	mV
I_{BIAS}	Input bias current ⁴	$T_j = 25\text{ }^\circ\text{C}$ Full temperature range		10	50 100	nA
	Input impedance	$T_j = 25\text{ }^\circ\text{C}$		10^{10}		Ω
	Gain error	$T_j = 25\text{ }^\circ\text{C}$, $R_L = 10\text{ k}\Omega$ Full temperature range		0.004	0.01 0.02	%
	Feedthrough attenuation ratio at 1 kHz	$T_j = 25\text{ }^\circ\text{C}$, $C_H = 0.01\text{ }\mu\text{F}$	80	90		dB
	Output impedance	$T_j = 25\text{ }^\circ\text{C}$, "HOLD" mode Full temperature range		0.5	4 6	Ω
	"HOLD" step ²	$T_j = 25\text{ }^\circ\text{C}$, $C_H = 0.01\text{ }\mu\text{F}$, $V_{OUT} = 0\text{ V}$		1.0	2.5	mV
I_{CC}	Supply current ⁴	$T_j \leq 25\text{ }^\circ\text{C}$		4.5	6.5	mA
	Logic and logic reference input current	$T_j = 25\text{ }^\circ\text{C}$		2	10	μA
	Leakage current into hold capacitor ⁴	$T_j = 25\text{ }^\circ\text{C}$, "HOLD" mode		30	200	pA
t_{AC}	Acquisition time to 0.1%	$\Delta V_{OUT} = 10\text{ V}$, $C_H = 1000\text{ pF}$ $C_H = 0.01\text{ }\mu\text{F}$		4 20		μs
	Hold capacitor charging current	$V_{IN} - V_{OUT} = 2\text{ V}$		5		mA
	Supply voltage rejection ratio	$V_{OUT} = 0\text{ V}$	80	110		dB
	Differential logic threshold	$T_j = 25\text{ }^\circ\text{C}$	0.8	1.4	2.4	V

NOTES:

1. Unless otherwise specified, the following conditions apply. Unit is in "sample" mode, $V_S = \pm 15\text{ V}$, $T_j = 25\text{ }^\circ\text{C}$, $-11.5\text{ V} \leq V_{IN} \leq +11.5\text{ V}$, $C_H = 0.01\text{ }\mu\text{F}$, and $R_L = 10\text{ k}\Omega$. Logic reference voltage = 0 V and logic voltage = 2.5 V.
2. Hold step is sensitive to stray capacitive coupling between input logic signals and the hold capacitor. 1 pF, for instance, will create an additional 0.5 mV step with a 5 V logic swing and a 0.01 μF hold capacitor. Magnitude of the hold step is inversely proportional to hold capacitor value.
3. Leakage current is measured at a junction temperature of 25 $^\circ\text{C}$. The effects of junction temperature rise due to power dissipation or elevated ambient can be calculated by doubling the 25 $^\circ\text{C}$ value for each 11 $^\circ\text{C}$ increase in chip temperature. Leakage is guaranteed over full input signal range.
4. The parameters are guaranteed over a supply voltage of ± 5 to $\pm 18\text{ V}$.

Sample-and-hold amplifier

LF398

TYPICAL DC PERFORMANCE CHARACTERISTICS

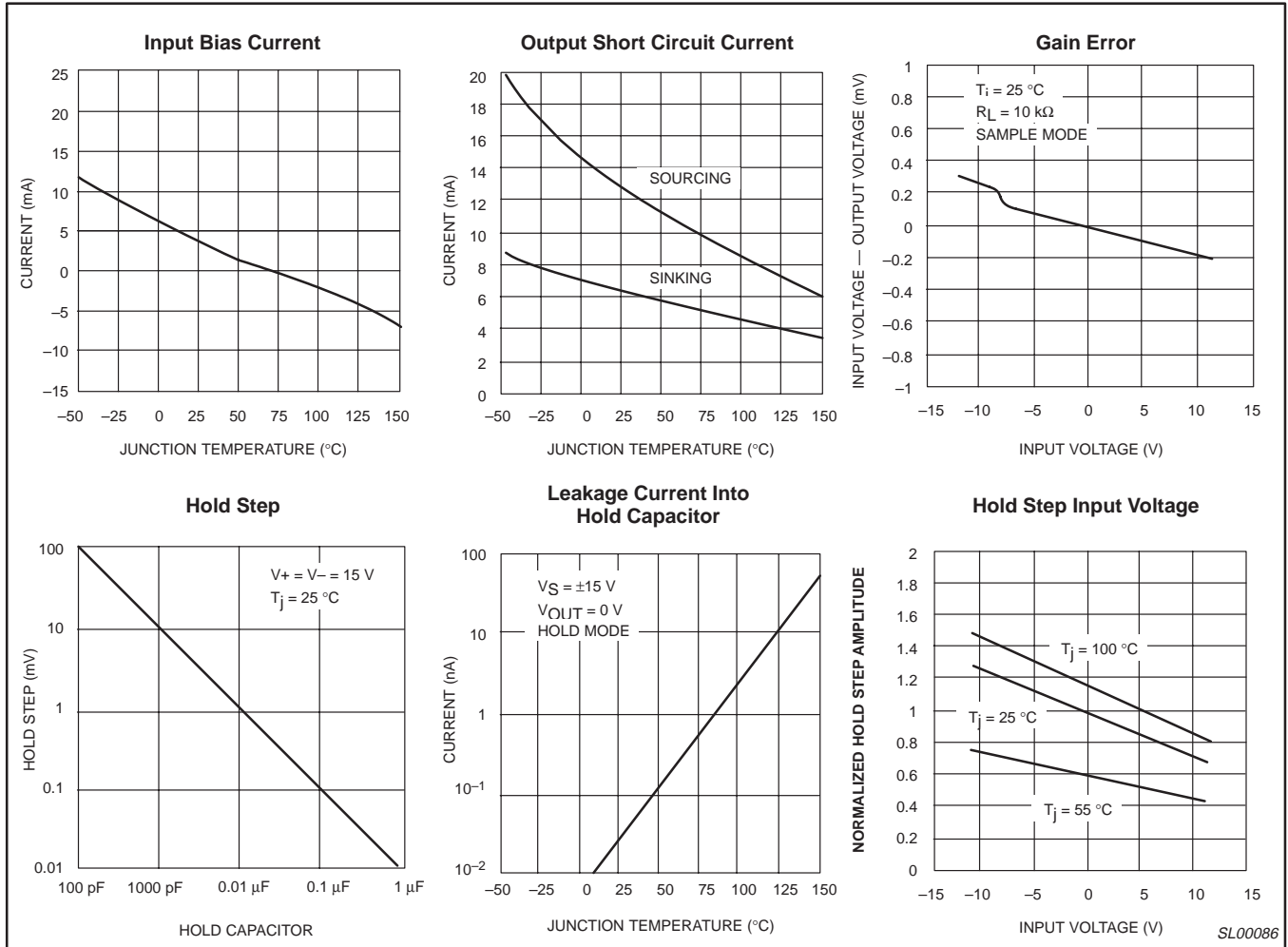


Figure 4. Typical DC Performance Characteristics

TYPICAL AC PERFORMANCE CHARACTERISTICS

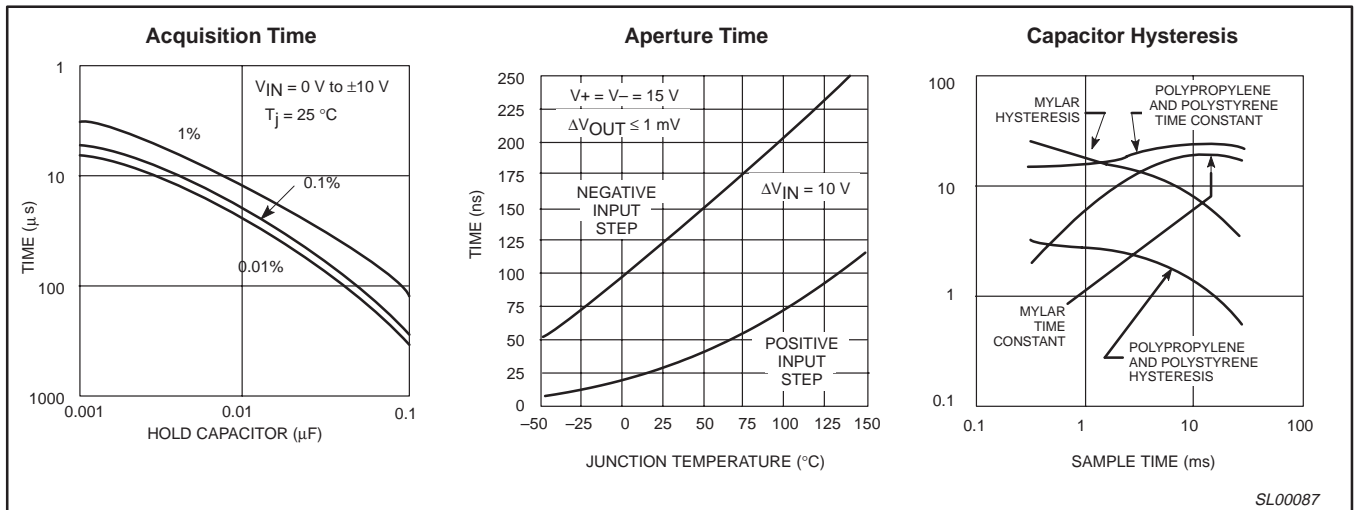
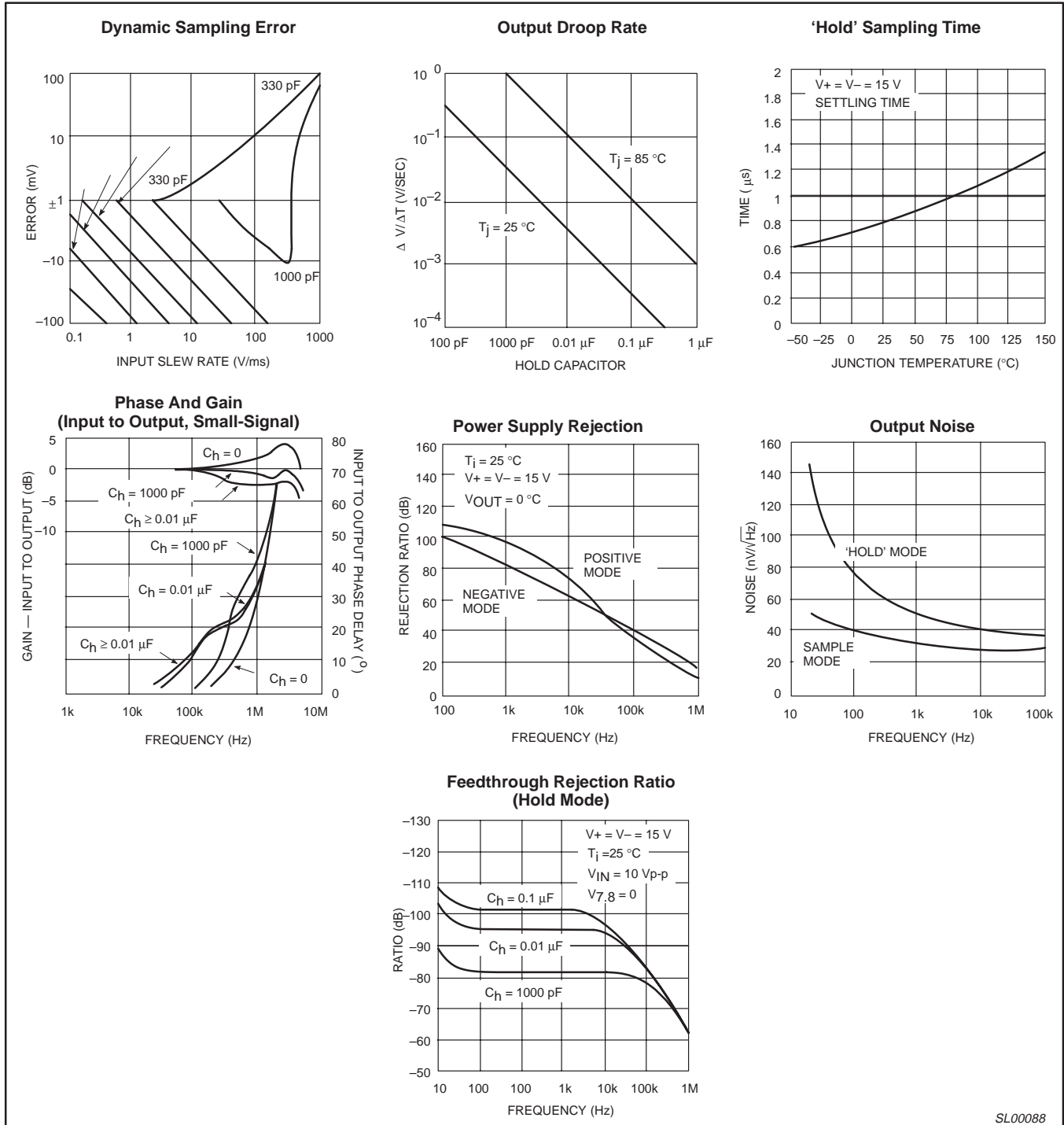


Figure 5. Typical AC Performance Characteristics

Sample-and-hold amplifier

LF398

TYPICAL AC PERFORMANCE CHARACTERISTICS (Continued)



SL00088

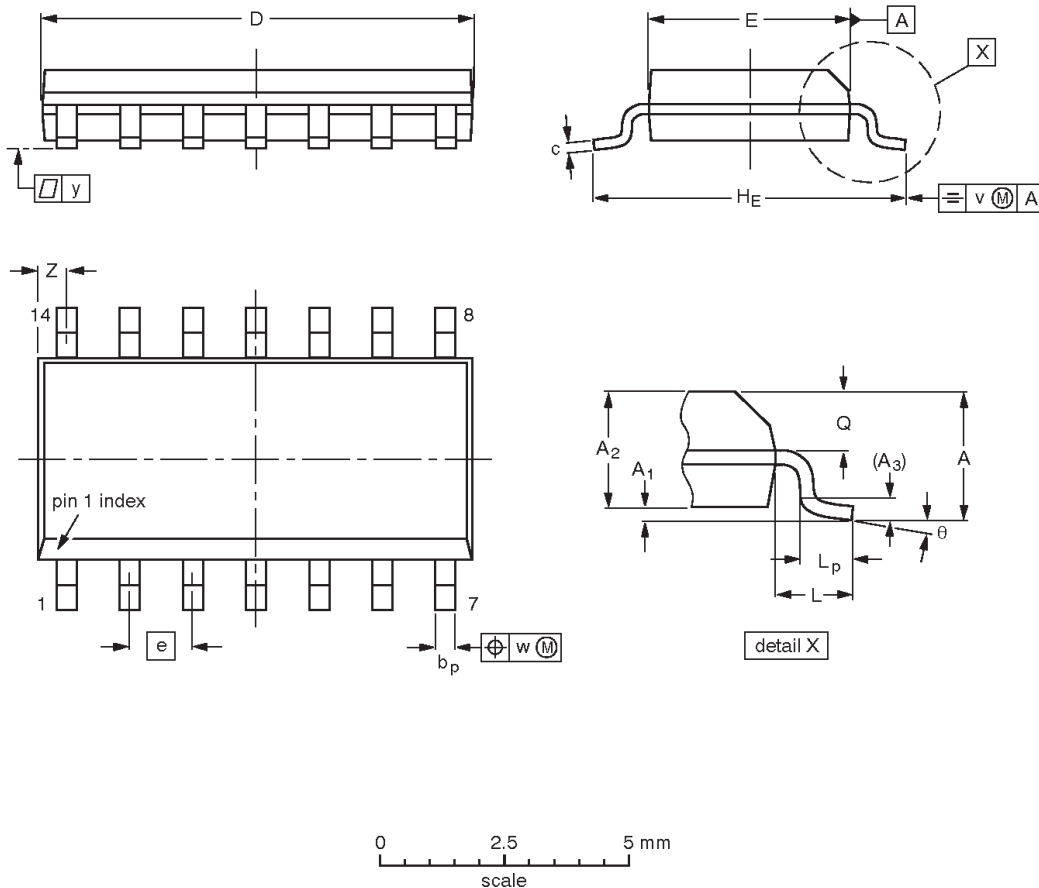
Figure 6. Typical AC Performance Characteristics (cont.)

Sample-and-hold amplifier

LF398

SO14: plastic small outline package; 14 leads; body width 3.9 mm

SOT108-1



DIMENSIONS (inch dimensions are derived from the original mm dimensions)

UNIT	A max.	A ₁	A ₂	A ₃	b _p	c	D ⁽¹⁾	E ⁽¹⁾	e	H _E	L	L _p	Q	v	w	y	Z ⁽¹⁾	θ
mm	1.75	0.25 0.10	1.45 1.25	0.25	0.49 0.36	0.25 0.19	8.75 8.55	4.0 3.8	1.27	6.2 5.8	1.05	1.0 0.4	0.7 0.6	0.25	0.25	0.1	0.7 0.3	8° 0°
inches	0.069	0.010 0.004	0.057 0.049	0.01	0.019 0.014	0.0100 0.0075	0.35 0.34	0.16 0.15	0.050	0.244 0.228	0.041	0.039 0.016	0.028 0.024	0.01	0.01	0.004	0.028 0.012	

Note

1. Plastic or metal protrusions of 0.15 mm maximum per side are not included.

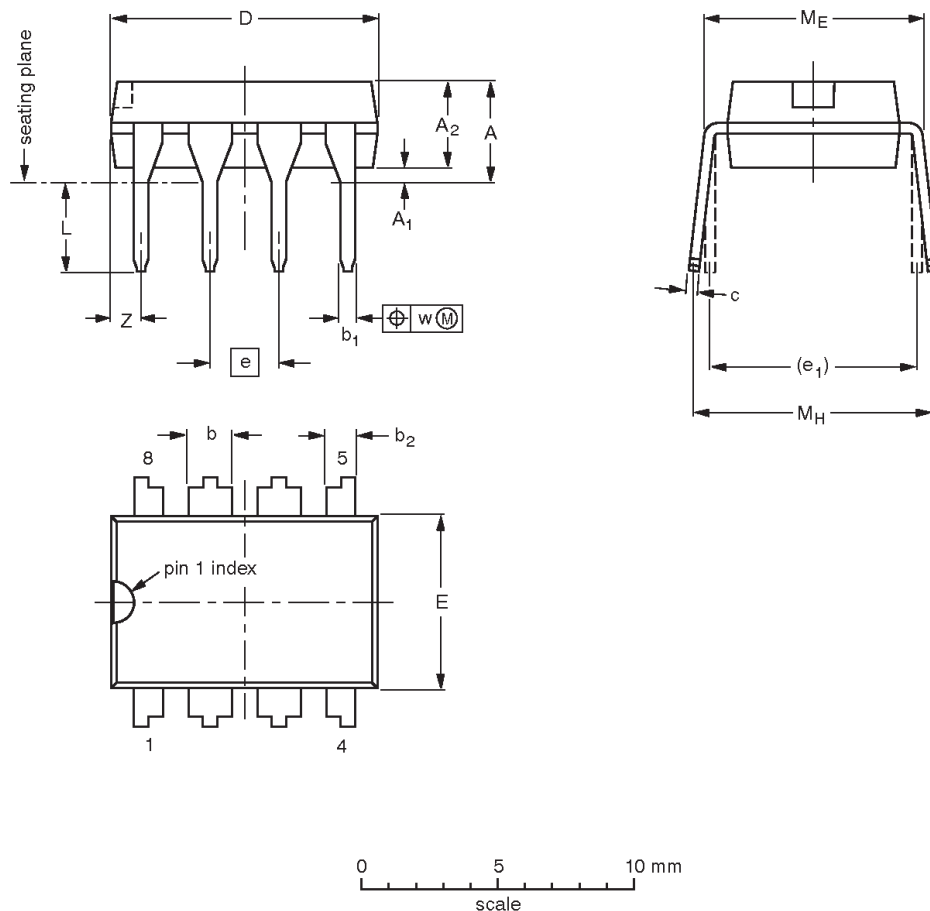
OUTLINE VERSION	REFERENCES				EUROPEAN PROJECTION	ISSUE DATE
	IEC	JEDEC	EIAJ			
SOT108-1	076E06	MS-012				97-05-22 99-12-27

Sample-and-hold amplifier

LF398

DIP8: plastic dual in-line package; 8 leads (300 mil)

SOT97-1



DIMENSIONS (inch dimensions are derived from the original mm dimensions)

UNIT	A max.	A ₁ min.	A ₂ max.	b	b ₁	b ₂	c	D ⁽¹⁾	E ⁽¹⁾	e	e ₁	L	M _E	M _H	w	Z ⁽¹⁾ max.
mm	4.2	0.51	3.2	1.73 1.14	0.53 0.38	1.07 0.89	0.36 0.23	9.8 9.2	6.48 6.20	2.54	7.62	3.60 3.05	8.25 7.80	10.0 8.3	0.254	1.15
inches	0.17	0.020	0.13	0.068 0.045	0.021 0.015	0.042 0.035	0.014 0.009	0.39 0.36	0.26 0.24	0.10	0.30	0.14 0.12	0.32 0.31	0.39 0.33	0.01	0.045

Note

1. Plastic or metal protrusions of 0.25 mm maximum per side are not included.

OUTLINE VERSION	REFERENCES				EUROPEAN PROJECTION	ISSUE DATE
	IEC	JEDEC	EIAJ			
SOT97-1	050G01	MO-001	SC-504-8			95-02-04 99-12-27

Sample-and-hold amplifier

LF398

NOTES

Sample-and-hold amplifier

LF398

Data sheet status

Data sheet status ^[1]	Product status ^[2]	Definitions
Objective data	Development	This data sheet contains data from the objective specification for product development. Philips Semiconductors reserves the right to change the specification in any manner without notice.
Preliminary data	Qualification	This data sheet contains data from the preliminary specification. Supplementary data will be published at a later date. Philips Semiconductors reserves the right to change the specification without notice, in order to improve the design and supply the best possible product.
Product data	Production	This data sheet contains data from the product specification. Philips Semiconductors reserves the right to make changes at any time in order to improve the design, manufacturing and supply. Changes will be communicated according to the Customer Product/Process Change Notification (CPCN) procedure SNW-SQ-650A.

[1] Please consult the most recently issued data sheet before initiating or completing a design.

[2] The product status of the device(s) described in this data sheet may have changed since this data sheet was published. The latest information is available on the Internet at URL <http://www.semiconductors.philips.com>.

Definitions

Short-form specification — The data in a short-form specification is extracted from a full data sheet with the same type number and title. For detailed information see the relevant data sheet or data handbook.

Limiting values definition — Limiting values given are in accordance with the Absolute Maximum Rating System (IEC 60134). Stress above one or more of the limiting values may cause permanent damage to the device. These are stress ratings only and operation of the device at these or at any other conditions above those given in the Characteristics sections of the specification is not implied. Exposure to limiting values for extended periods may affect device reliability.

Application information — Applications that are described herein for any of these products are for illustrative purposes only. Philips Semiconductors make no representation or warranty that such applications will be suitable for the specified use without further testing or modification.

Disclaimers

Life support — These products are not designed for use in life support appliances, devices or systems where malfunction of these products can reasonably be expected to result in personal injury. Philips Semiconductors customers using or selling these products for use in such applications do so at their own risk and agree to fully indemnify Philips Semiconductors for any damages resulting from such application.

Right to make changes — Philips Semiconductors reserves the right to make changes, without notice, in the products, including circuits, standard cells, and/or software, described or contained herein in order to improve design and/or performance. Philips Semiconductors assumes no responsibility or liability for the use of any of these products, conveys no license or title under any patent, copyright, or mask work right to these products, and makes no representations or warranties that these products are free from patent, copyright, or mask work right infringement, unless otherwise specified.

Contact information

For additional information please visit
<http://www.semiconductors.philips.com>. Fax: +31 40 27 24825

© Koninklijke Philips Electronics N.V. 2001
 All rights reserved. Printed in U.S.A.

Date of release: 10-01

For sales offices addresses send e-mail to:
sales.addresses@www.semiconductors.philips.com

Document order number:

9397 750 08921

Let's make things better.