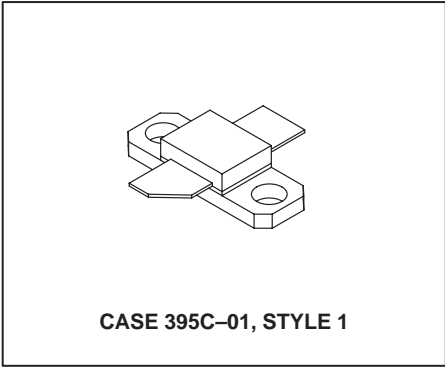


The RF Line  
**NPN Silicon**  
**RF Power Transistor**

**MRF6408**

**12 W, 2.0 GHz**  
**RF POWER TRANSISTOR**  
**NPN SILICON**



Designed for PCN and PCS base station applications, the MRF6408 incorporates high value emitter ballast resistors, gold metallizations and offers a high degree of reliability and ruggedness.

- To be used in class AB for PCN-PCS / Cellular Radio
- Specified 26 Volts, 1.88 GHz Characteristics  
Output Power = 12 Watts CW  
Typical Gain = 8.8 dB  
Typical Efficiency = 42%
- Specified 26 Volts, 1.99 GHz Characteristics  
Output Power = 12 Watts CW  
Typical Gain = 8.3 dB  
Typical Efficiency = 39%

LIFETIME BUY

LAST SHIP 16/12/00  
LAST ORDER 16/06/00

**MAXIMUM RATINGS**

Rating	Symbol	Value	Unit
Collector-Emitter Voltage	$V_{CEO}$	24	Vdc
Collector-Emitter Voltage	$V_{CES}$	60	Vdc
Emitter-Base Voltage	$V_{EBO}$	4	Vdc
Collector-Current — Continuous	$I_C$	5	Adc
Total Device Dissipation @ $T_C = 25^\circ\text{C}$ Derate above $25^\circ\text{C}$	$P_D$	60 0.35	Watts W/ $^\circ\text{C}$
Storage Temperature Range	$T_{stg}$	-65 to +150	$^\circ\text{C}$
Operating Junction Temperature	$T_J$	200	$^\circ\text{C}$

**THERMAL CHARACTERISTICS**

Characteristic	Symbol	Max	Unit
Thermal Resistance, Junction to Case (1)	$R_{\theta JC}$	2.8	$^\circ\text{C}/\text{W}$

**ELECTRICAL CHARACTERISTICS** ( $T_C = 25^\circ\text{C}$  unless otherwise noted)

Characteristic	Symbol	Min	Typ	Max	Unit
----------------	--------	-----	-----	-----	------

**OFF CHARACTERISTICS**

Collector-Emitter Breakdown Voltage ( $I_C = 20 \text{ mAdc}$ , $I_B = 0$ )	$V_{(BR)CEO}$	24	30	—	Vdc
Emitter-Base Breakdown Voltage ( $I_B = 5.0 \text{ mAdc}$ , $I_C = 0$ )	$V_{(BR)EBO}$	4	5	—	Vdc
Collector-Emitter Breakdown Voltage ( $I_C = 20 \text{ mAdc}$ , $V_{BE} = 0$ )	$V_{(BR)CES}$	55	64	—	Vdc
Collector Cutoff Current ( $V_{CE} = 30 \text{ Vdc}$ , $V_{BE} = 0$ )	$I_{CES}$	—	—	6	mA

(1) Thermal resistance is determined under specified RF operating condition.

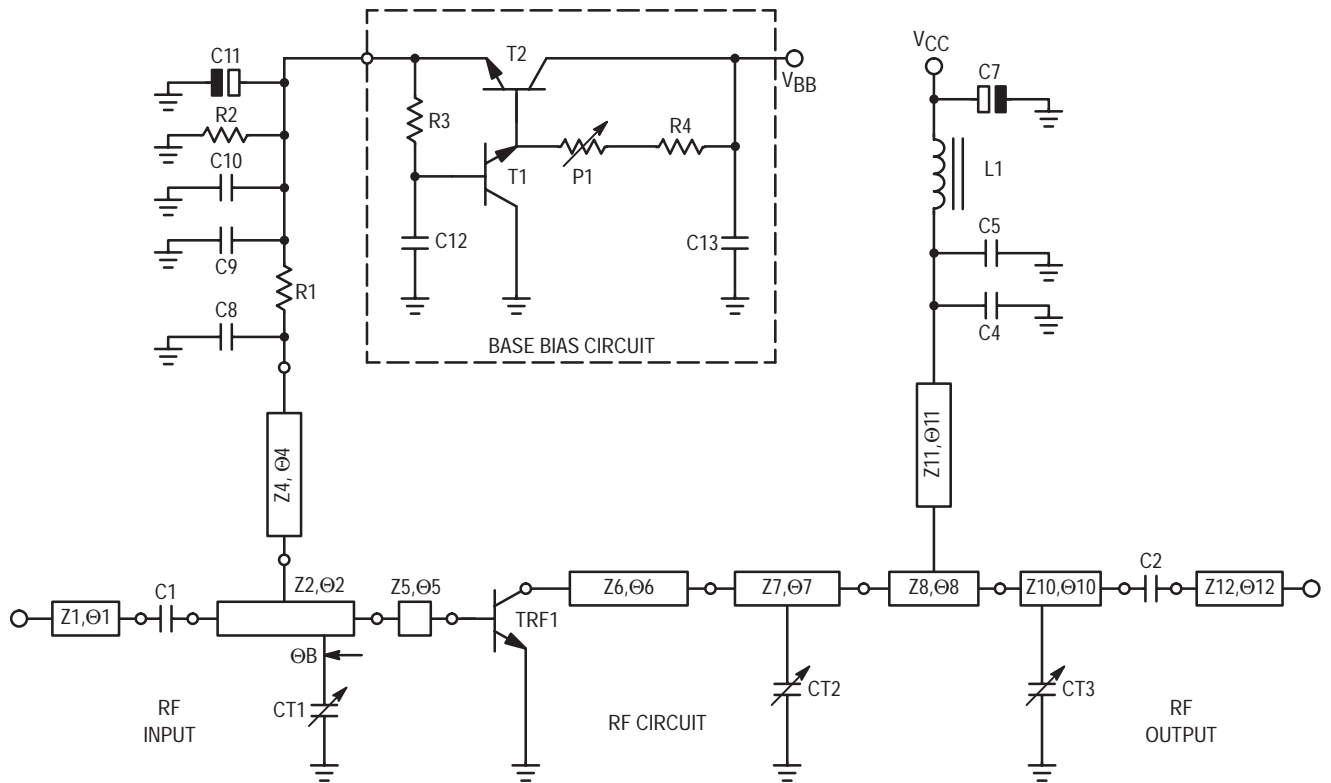
**ELECTRICAL CHARACTERISTICS — continued** ( $T_C = 25^\circ\text{C}$  unless otherwise noted)

Characteristic	Symbol	Min	Typ	Max	Unit
<b>ON CHARACTERISTICS</b>					
DC Current Gain ( $I_{CE} = 1 \text{ A dc}$ , $V_{CE} = 5 \text{ V dc}$ )	$h_{FE}$	20	35	80	—
<b>DYNAMIC CHARACTERISTICS</b>					
Output Capacitance (2) ( $V_{CB} = 26 \text{ V dc}$ , $I_E = 0$ , $f = 1 \text{ MHz}$ )	$C_{ob}$	—	18	—	pF
<b>FUNCTIONAL TESTS</b>					
Common-Emitter Amplifier Power Gain ( $V_{CC} = 26 \text{ V dc}$ , $P_{out} = 12 \text{ W (CW)}$ , $I_{CQ} = 100 \text{ mA}$ , $f = 1.88 \text{ GHz}$ )	$G_{pe}$	7.8	8.8	—	dB
Common-Emitter Amplifier Power Gain ( $V_{CC} = 26 \text{ V dc}$ , $P_{out} = 12 \text{ W (CW)}$ , $I_{CQ} = 100 \text{ mA}$ , $f = 1.99 \text{ GHz}$ )	$G_{pe}$	7.5	8.3	—	dB
Collector Efficiency ( $V_{CC} = 26 \text{ V dc}$ , $P_{out} = 12 \text{ W (CW)}$ , $I_{CQ} = 100 \text{ mA}$ , $f = 1.88 \text{ GHz}$ )	$\eta$	37	42	—	%
Collector Efficiency ( $V_{CC} = 26 \text{ V dc}$ , $P_{out} = 12 \text{ W (CW)}$ , $I_{CQ} = 100 \text{ mA}$ , $f = 1.99 \text{ GHz}$ )	$\eta$	34	39	—	%
Output Power at 1 dB Compression Point ( $V_{CC} = 26 \text{ V dc}$ , $I_{CQ} = 100 \text{ mA}$ , $f = 1.88 \text{ GHz}$ )	P @ 1 dB	15	—	—	W
Output Power at 1 dB Compression Point ( $V_{CC} = 26 \text{ V dc}$ , $I_{CQ} = 100 \text{ mA}$ , $f = 1.99 \text{ GHz}$ )	P @ 1 dB	14	—	—	W
Intermodulation Distortion ( $V_{CC} = 26 \text{ V dc}$ , $P_{out} = 12 \text{ W (PEP)}$ , $I_{CQ} = 100 \text{ mA}$ , $f_1 = 1880 \text{ MHz}$ , $f_2 = 1880.1 \text{ MHz}$ )	IMD	—	-35	-30	dBc
Intermodulation Distortion ( $V_{CC} = 26 \text{ V dc}$ , $P_{out} = 12 \text{ W (PEP)}$ , $I_{CQ} = 100 \text{ mA}$ , $f_1 = 1990 \text{ MHz}$ , $f_2 = 1990.1 \text{ MHz}$ )	IMD	—	-35	-30	dBc
Load Mismatch ( $V_{CC} = 26 \text{ V dc}$ , $P_{out} = 12 \text{ W (CW)}$ , $I_{CQ} = 100 \text{ mA}$ , $f = 1.99 \text{ GHz}$ , Load VSWR = 3:1, All Phase Angles at Frequency of Test)	$\psi$	No Degradation in Output Power			

(2) For information only. This part is collector matched.

LIFETIME BUY

LAST SHIP 16/12/00  
LAST ORDER 16/06/00



C4	47 pF, Chip Capacitor, ATC100A	P1	1 kΩ, Trimmer Resistor
C5, C9	330 pF, 0805 Chip Capacitor, Vitramon JXB	R1	1 Ω, 1206 Chip Resistor
C7	4.7 μF 63 V, Electrolytic Capacitor	R2	56 Ω, 1206 Chip Resistor
C10, C12, C13	15 nF, 0805 Chip Capacitor, Vitramon JXB	R3	47 Ω, 0805 Chip Resistor
C11	100 μF 16 V, Electrolytic Capacitor	R4	330 Ω, 0805 Chip Resistor
L1	SMD Ferrite Bead, Fair-Rite 2743021447	T1, T2	MJD31C, NPN Transistor, Motorola

**Test Circuits Bias and Decoupling Components List**

C1, C2	33 pF, Chip Capacitor, ATC100A	C1, C2	33 pF, Chip Capacitor, ATC100A
CT1	Trimmer Capacitor, Gigatrim 37281	CT1	Trimmer Capacitor, Gigatrim 37281
CT2	Trimmer Capacitor, Gigatrim 37281	CT2	Trimmer Capacitor, Gigatrim 37281
CT3	Trimmer Capacitor, Gigatrim 37281	CT3	Not Used
Z1	50 Ω    θ1 = 10°	Z1	50 Ω    θ1 = 10°
Z2	50 Ω    θ2 = 74.5°    θB = 16.5°	Z2	50 Ω    θ2 = 74.5°    θB = 16.5°
Z4	74 Ω    θ4 = 68°	Z4	74 Ω    θ4 = 68°
Z5	12.8 Ω    θ5 = 21°	Z5	12.8 Ω    θ5 = 21°
Z6	10.4 Ω    θ6 = 49.5°	Z6	10.4 Ω    θ6 = 49.5°
Z7	18 Ω    θ7 = 36.5°	Z7	18 Ω    θ7 = 36.5°
Z8	45 Ω    θ8 = 20°	Z8	45 Ω    θ8 = 20°
Z10	50 Ω    θ10 = 10°	Z10	50 Ω    θ10 = 10°
Z11	74 Ω    θ11 = 74.5°	Z11	74 Ω    θ11 = 60°
Z12	50 Ω    θ12 = 10°	Z12	50 Ω    θ12 = 10°

Electrical Lengths are referenced from I<sub>G</sub> @ f = 1.9 GHz

**1.88 GHz Test Circuit RF Components List**

**1.99 GHz Test Circuit RF Components List**

**Figure 1. Test Circuits Schematic**

## TYPICAL CHARACTERISTICS

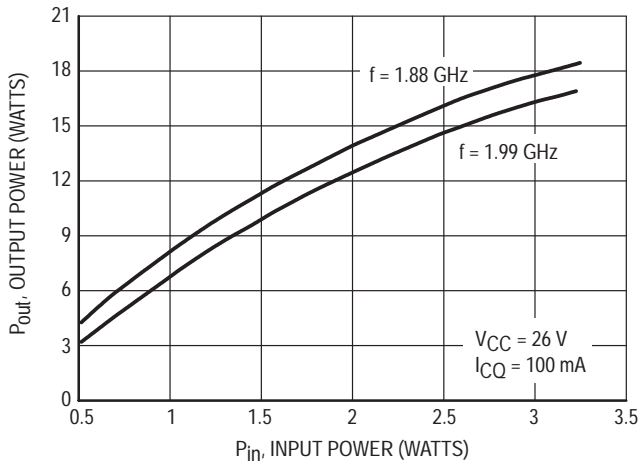


Figure 2. Output Power versus Input Power (CW)

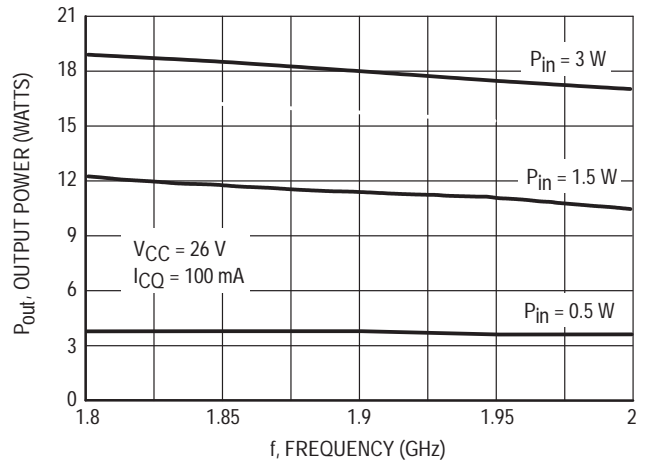


Figure 3. Output Power (CW) versus Frequency

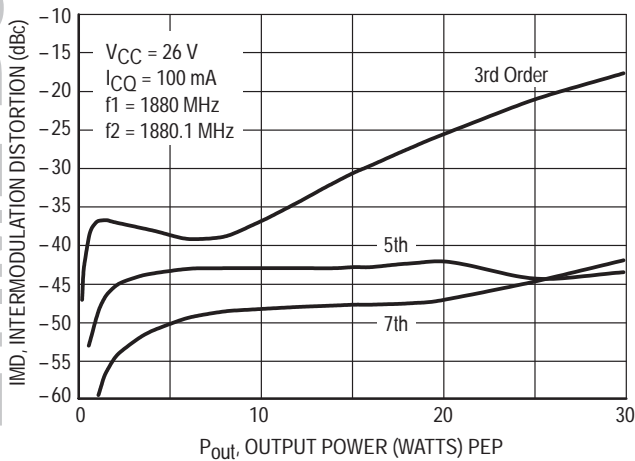


Figure 4. Intermodulation Distortion versus Output Power

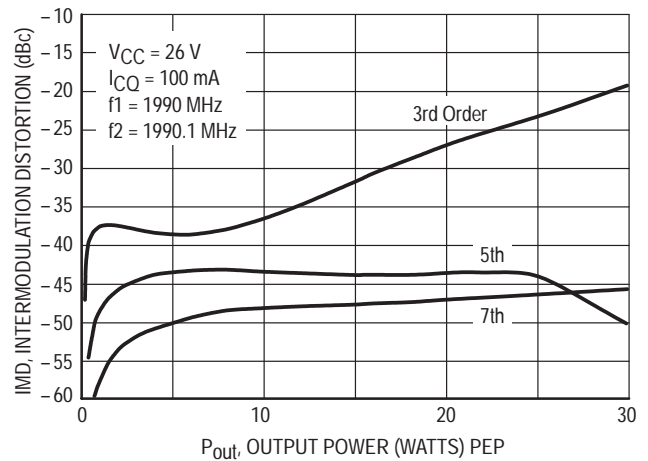


Figure 5. Intermodulation Distortion versus Output Power

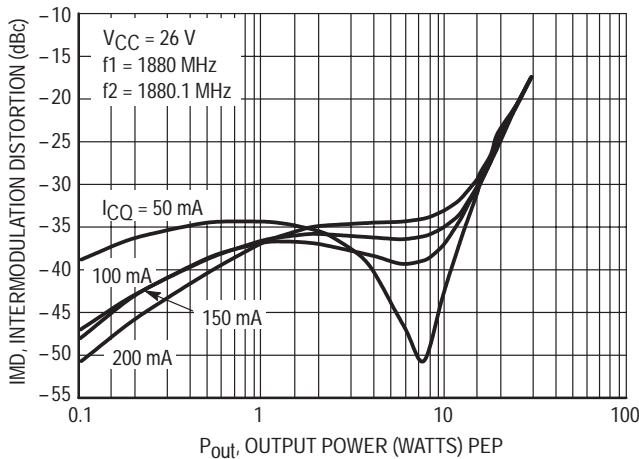


Figure 6. Intermodulation Distortion versus Output Power

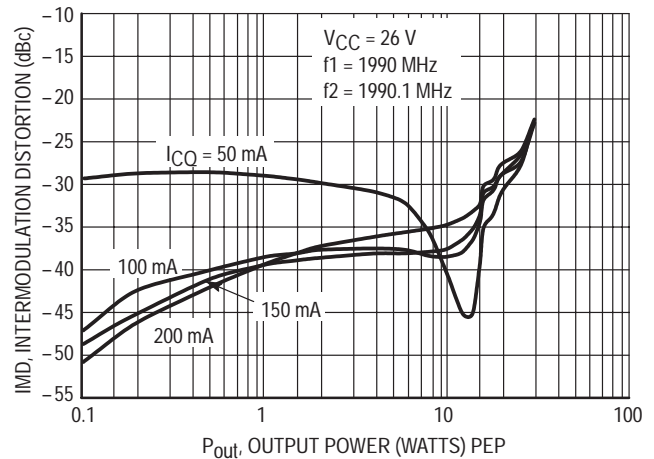
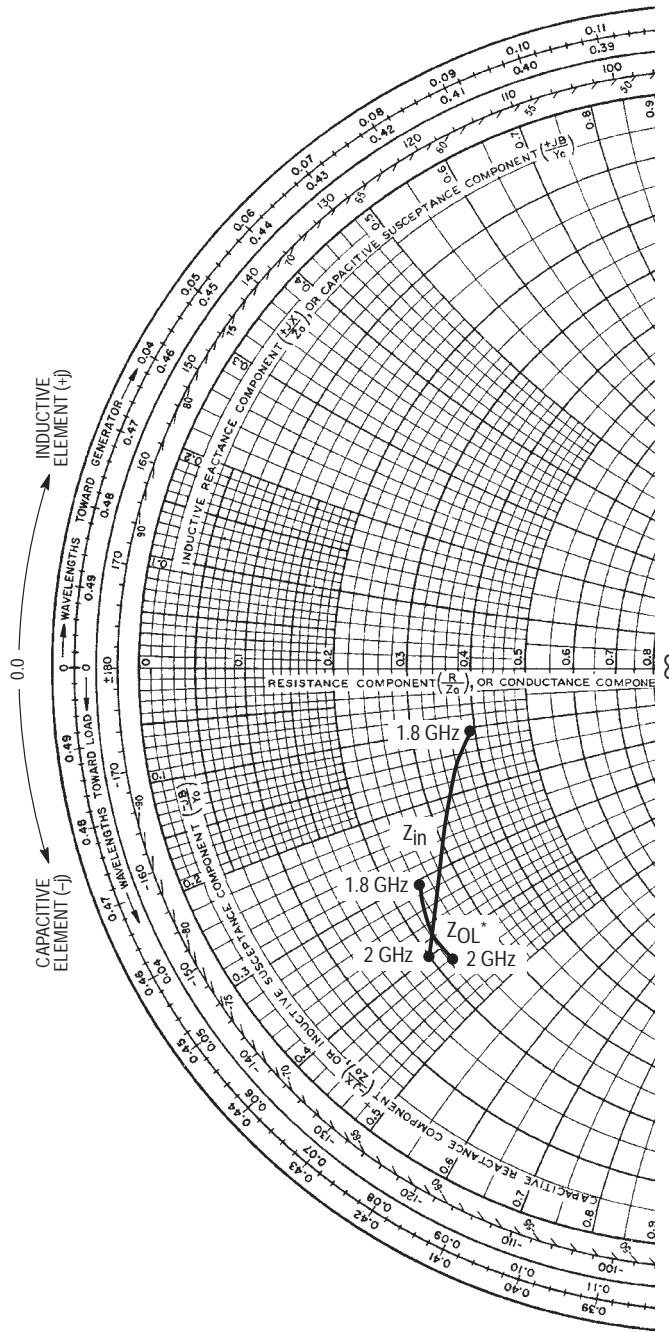


Figure 7. Intermodulation Distortion versus Output Power

LIFETIME BUY

LAST SHIP 16/12/00  
LAST ORDER 16/06/00



Normalized to 20 Ω

f MHz	Z <sub>in</sub> Ohms	Z <sub>OL</sub> * Ohms
1800	7.5 - j2.5	5.1 - j4.5
1900	6.5 - j4	4.6 - j5.1
2000	4 - j5.9	4.1 - j6.4

Z<sub>OL</sub>\*: Conjugate of optimum load impedance into which the device operates at a given output power, voltage current and frequency.

Figure 8. Input and Output Impedances with Circuit Tuned for Maximum Gain  
 @ V<sub>CC</sub> = 26 V, I<sub>CQ</sub> = 100 mA, P<sub>out</sub> = 12 W (CW)

LIFETIME BUY

LAST SHIP 16/12/00  
LAST ORDER 16/06/00

V <sub>CE</sub> (Vdc)	I <sub>C</sub> (Adc)	f (MHz)	S <sub>11</sub>		S <sub>21</sub>		S <sub>12</sub>		S <sub>22</sub>	
			S <sub>11</sub>	∠ φ	S <sub>21</sub>	∠ φ	S <sub>12</sub>	∠ φ	S <sub>22</sub>	∠ φ
26	1.0	1000	0.987	176	0.502	-179	0.012	136	0.898	172
		1050	0.986	176	0.478	-177	0.012	136	0.886	172
		1100	0.984	175	0.570	179	0.014	138	0.874	172
		1150	0.982	175	0.553	-177	0.014	137	0.859	171
		1200	0.979	174	0.623	176	0.017	140	0.844	171
		1250	0.974	173	0.660	177	0.017	140	0.826	171
		1300	0.970	172	0.757	176	0.021	138	0.807	171
		1350	0.962	171	0.790	170	0.021	138	0.785	171
		1400	0.950	170	0.932	169	0.025	132	0.760	171
		1450	0.932	169	0.996	161	0.028	131	0.727	172
		1500	0.899	167	1.272	154	0.031	123	0.690	173
		1550	0.845	165	1.407	145	0.035	113	0.649	177
		1600	0.761	165	1.587	132	0.041	100	0.628	-176
		1650	0.670	170	1.763	109	0.041	076	0.672	-168
		1700	0.667	-179	1.671	092	0.039	055	0.776	-166
		1750	0.746	-173	1.390	069	0.030	035	0.861	-168
		1800	0.823	-173	1.184	061	0.024	013	0.897	-172
		1850	0.875	-174	0.901	046	0.018	001	0.911	-175
		1900	0.907	-176	0.755	044	0.015	-012	0.909	-177
		1950	0.928	-177	0.614	038	0.013	-022	0.921	-179
2000	0.941	-178	0.484	036	0.010	-037	0.901	-179		

Table 1. Small Signal S-Parameters



(SCALE: 1:1)

Teflon Glass 1/50", 35  $\mu$  Cu,  $\epsilon_r = 2.55$

Figure 9. MRF6408 Photomaster  
(Reduced 25% in printed data book, DL110/D)

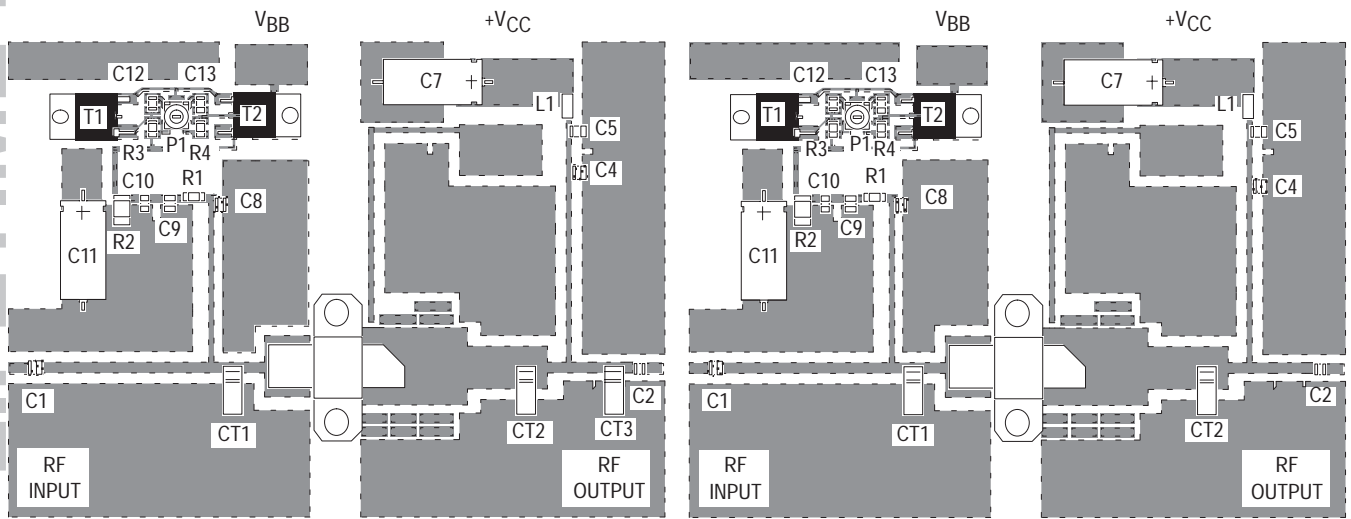
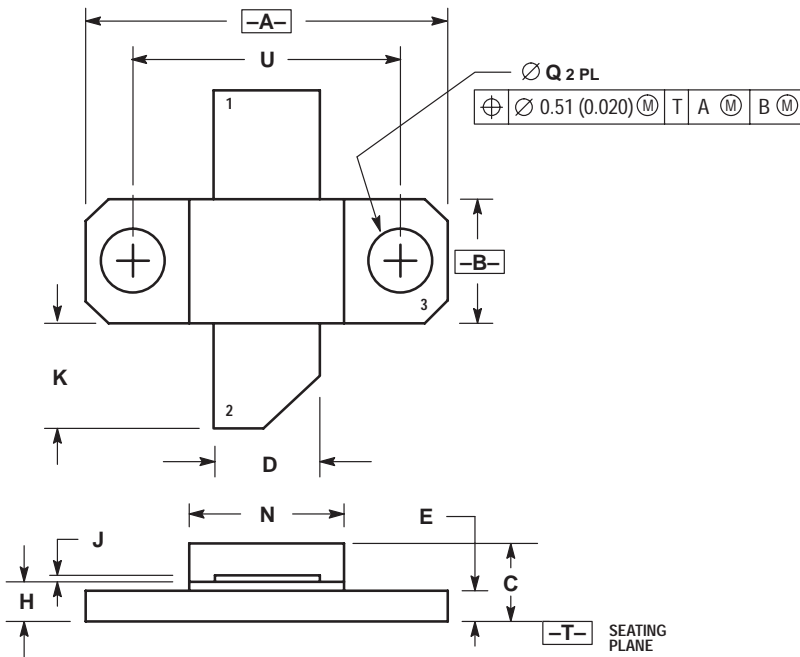


Figure 10. 1.88 GHz Test Circuit  
Components Layout

Figure 11. 1.99 GHz Test Circuit  
Components Layout

# PACKAGE DIMENSIONS



- NOTES:
1. DIMENSIONING AND TOLERANCING PER ANSI Y14.5M, 1982.
  2. CONTROLLING DIMENSION: INCH.

DIM	INCHES		MILLIMETERS	
	MIN	MAX	MIN	MAX
A	0.739	0.750	18.77	19.05
B	0.240	0.260	6.10	6.60
C	0.165	0.198	4.19	5.03
D	0.215	0.225	5.46	5.72
E	0.055	0.070	1.40	1.78
H	0.079	0.091	2.01	2.31
J	0.004	0.006	0.10	0.15
K	0.210	0.240	5.33	6.10
N	0.315	0.330	8.00	8.38
Q	0.125	0.135	3.18	3.42
U	0.560 BSC		14.23 BSC	

- STYLE 1:  
 PIN 1. BASE  
 2. COLLECTOR  
 3. EMITTER

**CASE 395C-01  
 ISSUE A**

LIFETIME BUY

LAST SHIP 16/12/00  
 LAST ORDER 16/06/00

Motorola reserves the right to make changes without further notice to any products herein. Motorola makes no warranty, representation or guarantee regarding the suitability of its products for any particular purpose, nor does Motorola assume any liability arising out of the application or use of any product or circuit, and specifically disclaims any and all liability, including without limitation consequential or incidental damages. "Typical" parameters which may be provided in Motorola data sheets and/or specifications can and do vary in different applications and actual performance may vary over time. All operating parameters, including "Typicals" must be validated for each customer application by customer's technical experts. Motorola does not convey any license under its patent rights nor the rights of others. Motorola products are not designed, intended, or authorized for use as components in systems intended for surgical implant into the body, or other applications intended to support or sustain life, or for any other application in which the failure of the Motorola product could create a situation where personal injury or death may occur. Should Buyer purchase or use Motorola products for any such unintended or unauthorized application, Buyer shall indemnify and hold Motorola and its officers, employees, subsidiaries, affiliates, and distributors harmless against all claims, costs, damages, and expenses, and reasonable attorney fees arising out of, directly or indirectly, any claim of personal injury or death associated with such unintended or unauthorized use, even if such claim alleges that Motorola was negligent regarding the design or manufacture of the part. Motorola and are registered trademarks of Motorola, Inc. Motorola, Inc. is an Equal Opportunity/Affirmative Action Employer.

Mfax is a trademark of Motorola, Inc.

**How to reach us:**

**USA/EUROPE/Locations Not Listed:** Motorola Literature Distribution;  
 P.O. Box 5405, Denver, Colorado 80217. 1-303-675-2140 or 1-800-441-2447

**JAPAN:** Nippon Motorola Ltd.: SPD, Strategic Planning Office, 141,  
 4-32-1 Nishi-Gotanda, Shagawa-ku, Tokyo, Japan. 03-5487-8488

**Customer Focus Center: 1-800-521-6274**

**Mfax™:** RMFAX0@email.sps.mot.com – TOUCHTONE 1-602-244-6609  
 Motorola Fax Back System – US & Canada ONLY 1-800-774-1848  
 – http://sps.motorola.com/mfax/

**ASIA/PACIFIC:** Motorola Semiconductors H.K. Ltd.; 8B Tai Ping Industrial Park,  
 51 Ting Kok Road, Tai Po, N.T., Hong Kong. 852-26629298

**HOME PAGE:** http://motorola.com/sps/

