


MOTOROLA

1.1 GHz Super Low Power Dual Modulus Prescaler With Stand-By Mode

The MC12053A is a super low power $\div 64/65$, $\div 128/129$ dual modulus prescaler. Motorola's advanced Bipolar MOSAIC™ V technology is utilized to achieve low power dissipation of 4.3 mW at a minimum supply voltage of 2.7 V.

The Divide Ratio Control input, SW, permits selection of divide ratio as desired. A HIGH on SW selects $\div 64/65$; an OPEN on SW selects $\div 128/129$. The Modulus Control input, MC, selects the proper divide number after SW has been biased to select the desired divide ratio.

Stand-by mode is featured to reduce current drain to 50 μA typical at 2.7 V when the stand-by pin, SB, is switched LOW, disabling the prescaler. On-chip output termination provides 500 μA (typical) output current, which is sufficient to drive a CMOS synthesizer input high impedance load (8.0 pF typical).

- 1.1 GHz Toggle Frequency
- Supply Voltage of 2.7 to 5.5 V
- Low Power 1.5 mA Typical at $V_{CC} = 2.7\text{ V}$
- Operating Temperature Range of -40 to 85°C
- On-Chip Output Termination
- The MC12053A Is Pin and Functionally Compatible With the MC12036
- Modulus Control Input Level Is Compatible With Standard CMOS and TTL

MOSAIC V is a trademark of Motorola

FUNCTIONAL TABLE

SW	MC	Divide Ratio
H	H	64
H	L	65
L	H	128
L	L	129

NOTES: 1. SW: H = $V_{CC} - 0.5$ to V_{CC} , L = Open. A logic L can also be applied by grounding this pin, but this is not recommended due to increased power consumption.
2. MC & SB: H = 2.0 V to V_{CC} , L = Gnd to 0.8 V.

MAXIMUM RATINGS

Characteristic	Symbol	Range	Unit
Power Supply Voltage, Pin 2	V_{CC}	-0.5 to 7.0	Vdc
Operating Temperature Range	T_A	-40 to 85	$^\circ\text{C}$
Storage Temperature Range	T_{stg}	-65 to 150	$^\circ\text{C}$
Modulus Control Input, Pin 6	MC	-0.5 to V_{CC}	Vdc
Maximum Output Current, Pin 4	I_O	4.0	mA

NOTE: ESD data available upon request.

MC12053A

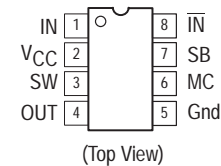
MECL PLL COMPONENTS $\div 64/65$, $\div 128/129$ LOW POWER DUAL MODULUS PRESCALER WITH STAND-BY MODE

SEMICONDUCTOR TECHNICAL DATA



D SUFFIX
PLASTIC PACKAGE
CASE 751
(SO-8)

PIN CONNECTIONS



ORDERING INFORMATION

Device	Operating Temp Range	Package
MC12053AD	$T_A = -40$ to 85°C	SO-8

MC12053A

ELECTRICAL CHARACTERISTICS ($V_{CC} = 2.7$ to 5.5 V; $T_A = -40$ to 85°C , unless otherwise notex.)

Characteristic		Symbol	Min	Typ	Max	Unit
Toggle Frequency (Sine Wave Input)		f_t	0.1	1.4	1.1	GHz
Supply Current Output (Pin 2)	$V_{CC} = 2.7$ V $V_{CC} = 5.0$ V	I_{CC}	–	1.60 1.75	2.5 2.5	mA
Stand-By Current	$V_{CC} = 2.7$ V $V_{CC} = 5.0$ V	I_{SB}	–	50 100	250 250	μA
Modulus Control & Stand-By Input HIGH (MC & SB)		V_{IH1}	2.0	–	$V_{CC} + 0.5$	V
Modulus Control & Stand-By Input LOW (MC & SB)		V_{IL1}	Gnd	–	0.8	V
Divide Ratio Control Input HIGH (SW)		V_{IH2}	$V_{CC} - 0.5$	V_{CC}	$V_{CC} + 0.5$	V
Divide Ratio Control Input LOW (SW)		V_{IL2}	Open	Open	Open	
Output Voltage Swing (Note 1)		V_{out}	0.8	1.1	–	V_{pp}
Modulus Setup Time MC to OUT at 1100 MHz		t_{set}	–	11	16	ns
Input Voltage Sensitivity	250–1100 MHz 100–250 MHz	V_{in}	100 400	– –	1000 1000	mVpp

NOTE: Assumes 8.0 pF high impedance load.

Figure 1. Logic Diagram (MC12053A)

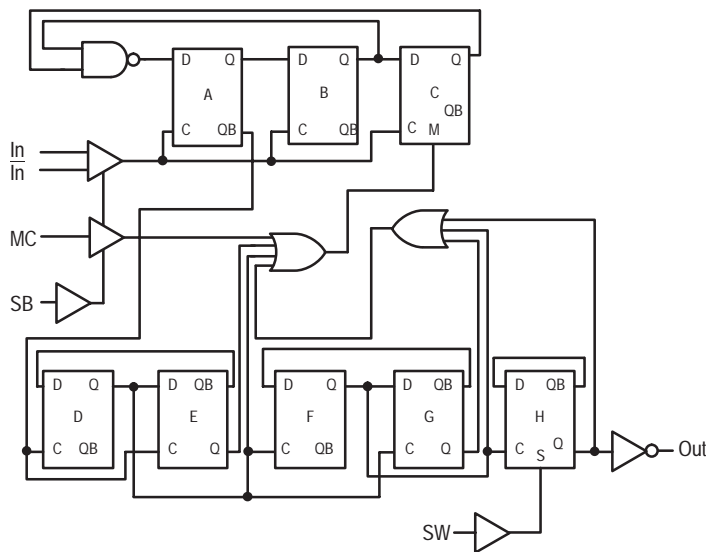
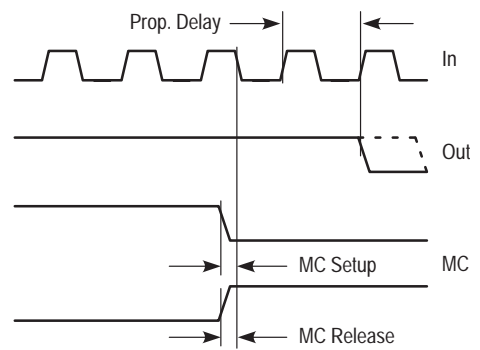
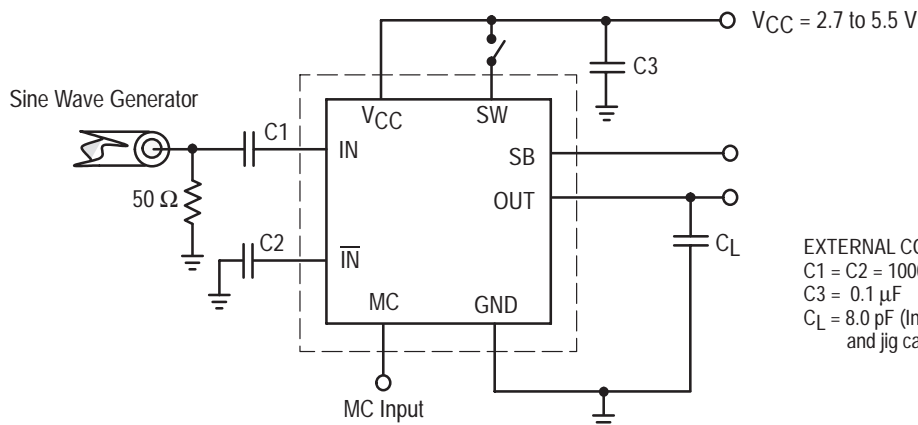


Figure 2. Modulus Setup Time



Modulus setup time MC to out is the MC setup or MC release plus the prop delay.

Figure 3. AC Test Circuit



EXTERNAL COMPONENTS
 $C1 = C2 = 1000$ pF
 $C3 = 0.1$ μF
 $C_L = 8.0$ pF (Including Scope and jig capacitance)

MC12053A

Figure 4. Input Signal Amplitude versus Input Frequency

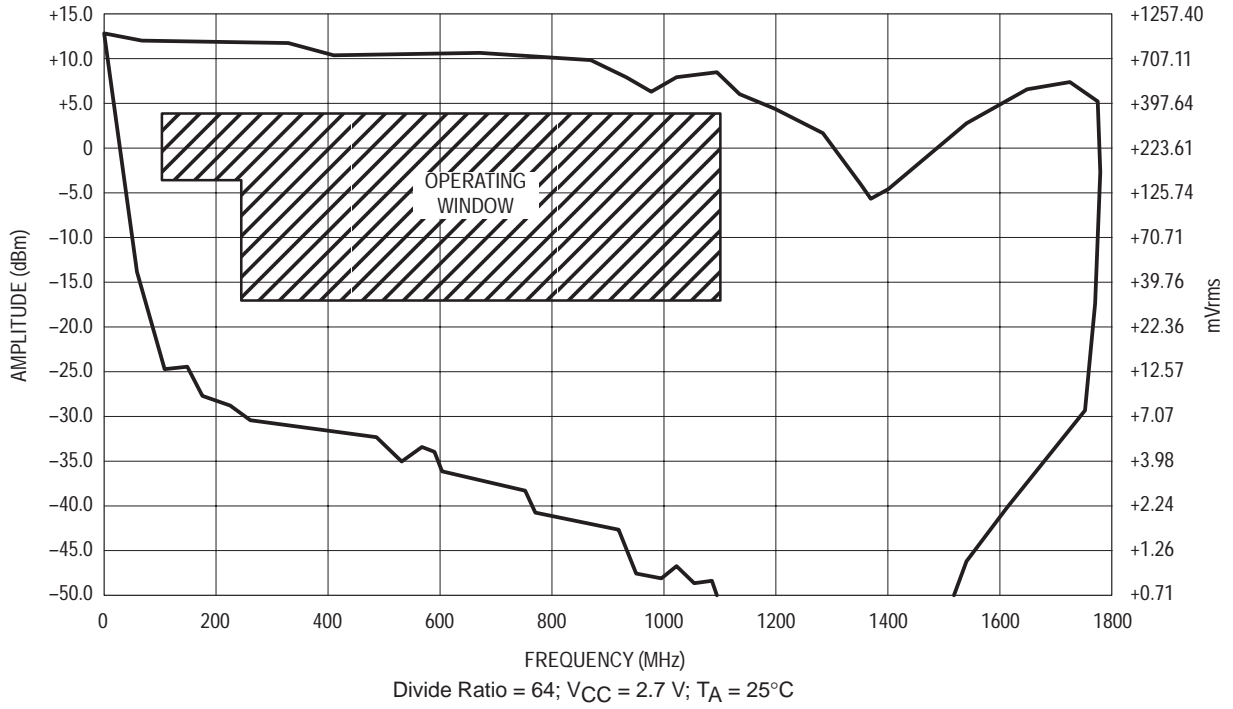
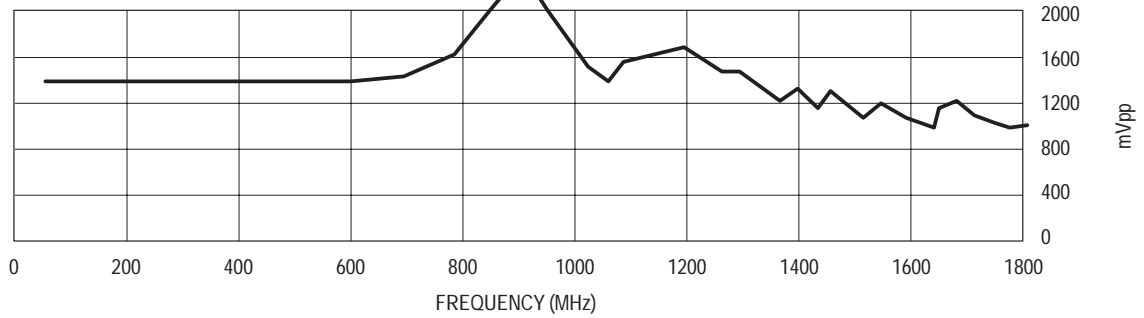
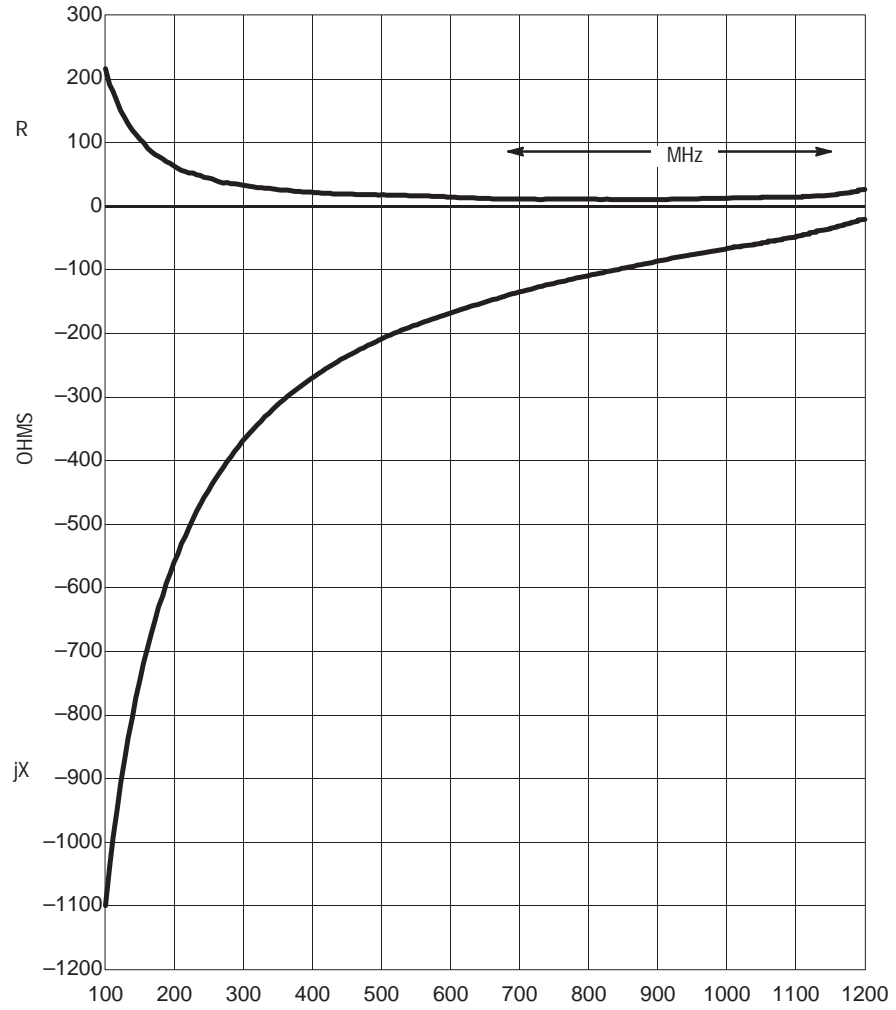


Figure 5. Output Amplitude versus Input Frequency



MC12053A

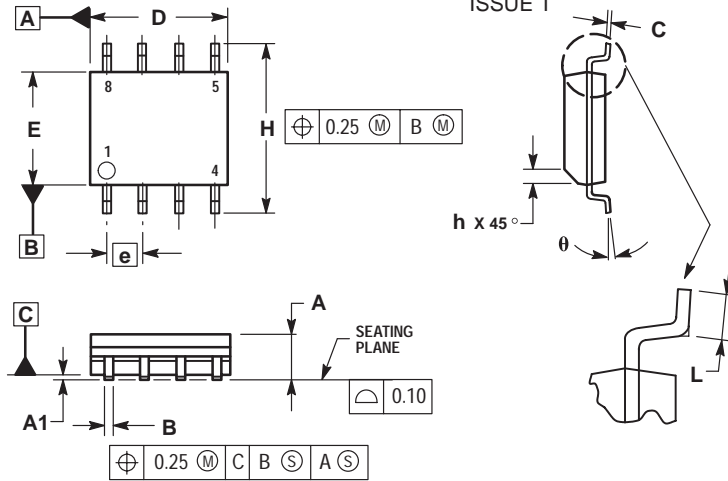
Figure 6. Typical Input Impedance versus Input Frequency



MC12053A

OUTLINE DIMENSIONS

D SUFFIX
PLASTIC PACKAGE
CASE 751-06
(SO-8)
ISSUE T



NOTES:

1. DIMENSIONING AND TOLERANCING PER ASME Y14.5M, 1994.
2. DIMENSIONS ARE IN MILLIMETER.
3. DIMENSION D AND E DO NOT INCLUDE MOLD PROTRUSION.
4. MAXIMUM MOLD PROTRUSION 0.15 PER SIDE.
5. DIMENSION B DOES NOT INCLUDE DAMBAR PROTRUSION. ALLOWABLE DAMBAR PROTRUSION SHALL BE 0.127 TOTAL IN EXCESS OF THE B DIMENSION AT MAXIMUM MATERIAL CONDITION.

DIM	MILLIMETERS	
	MIN	MAX
A	1.35	1.75
A1	0.10	0.25
B	0.35	0.49
C	0.19	0.25
D	4.80	5.00
E	3.80	4.00
e	1.27 BSC	
H	5.80	6.20
h	0.25	0.50
L	0.40	1.25
theta	0°	7°

Motorola reserves the right to make changes without further notice to any products herein. Motorola makes no warranty, representation or guarantee regarding the suitability of its products for any particular purpose, nor does Motorola assume any liability arising out of the application or use of any product or circuit, and specifically disclaims any and all liability, including without limitation consequential or incidental damages. "Typical" parameters which may be provided in Motorola data sheets and/or specifications can and do vary in different applications and actual performance may vary over time. All operating parameters, including "Typicals" must be validated for each customer application by customer's technical experts. Motorola does not convey any license under its patent rights nor the rights of others. Motorola products are not designed, intended, or authorized for use as components in systems intended for surgical implant into the body, or other applications intended to support or sustain life, or for any other application in which the failure of the Motorola product could create a situation where personal injury or death may occur. Should Buyer purchase or use Motorola products for any such unintended or unauthorized application, Buyer shall indemnify and hold Motorola and its officers, employees, subsidiaries, affiliates, and distributors harmless against all claims, costs, damages, and expenses, and reasonable attorney fees arising out of, directly or indirectly, any claim of personal injury or death associated with such unintended or unauthorized use, even if such claim alleges that Motorola was negligent regarding the design or manufacture of the part. Motorola and are registered trademarks of Motorola, Inc. Motorola, Inc. is an Equal Opportunity/Affirmative Action Employer.

Mfax is a trademark of Motorola, Inc.

How to reach us:

USA/EUROPE/Locations Not Listed: Motorola Literature Distribution;
P.O. Box 5405, Denver, Colorado 80217. 1-303-675-2140 or 1-800-441-2447

JAPAN: Motorola Japan Ltd.; SPD, Strategic Planning Office, 141,
4-32-1 Nishi-Gotanda, Shinagawa-ku, Tokyo, Japan. 81-3-5487-8488

Customer Focus Center: 1-800-521-6274

Mfax™: RMFAX0@email.sps.mot.com – TOUCHTONE 1-602-244-6609
Motorola Fax Back System – US & Canada ONLY 1-800-774-1848
– http://sps.motorola.com/mfax/

ASIA/PACIFIC: Motorola Semiconductors H.K. Ltd.; Silicon Harbour Centre,
2, Dai King Street, Tai Po Industrial Estate, Tai Po, N.T., Hong Kong.
852-26629298

HOME PAGE: <http://motorola.com/sps/>

