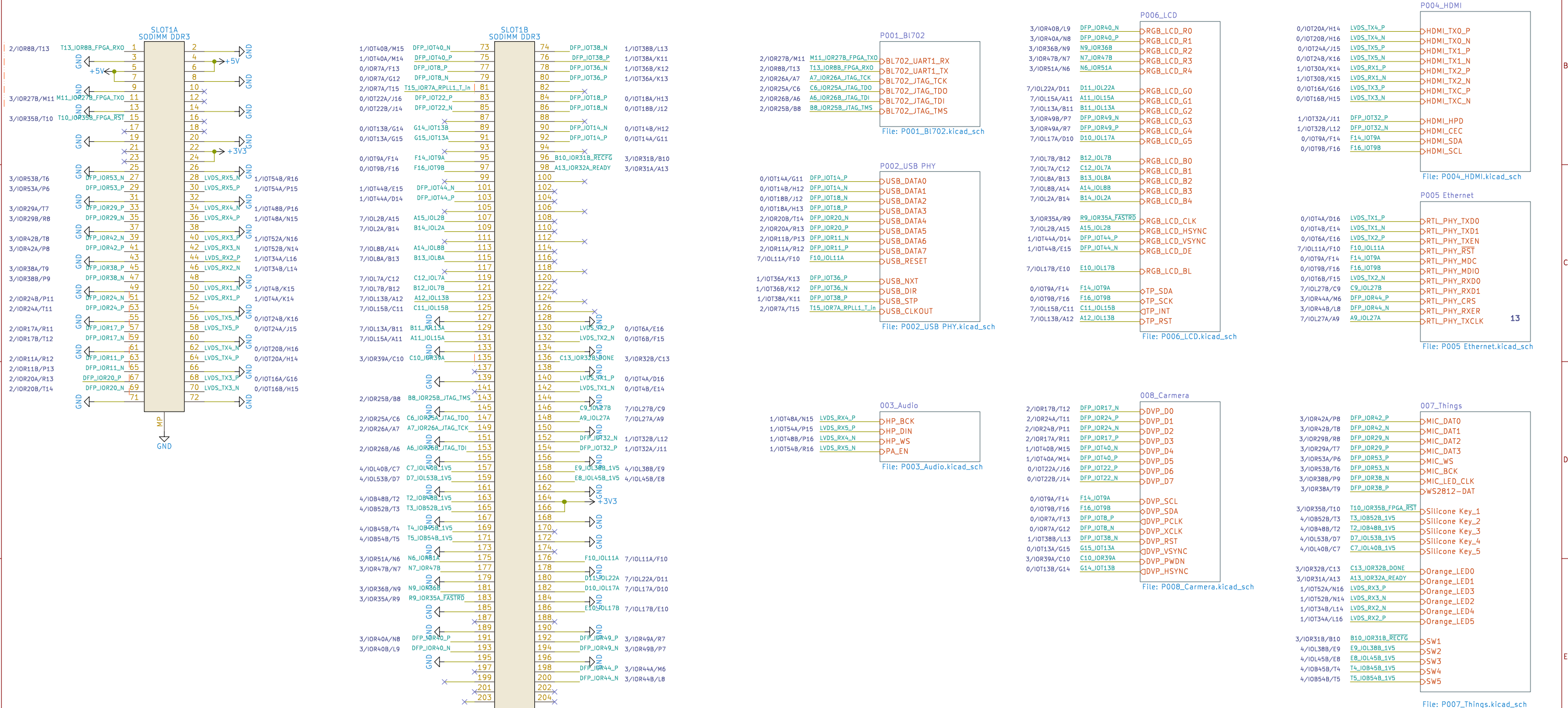


Tang Nano 20K Dock

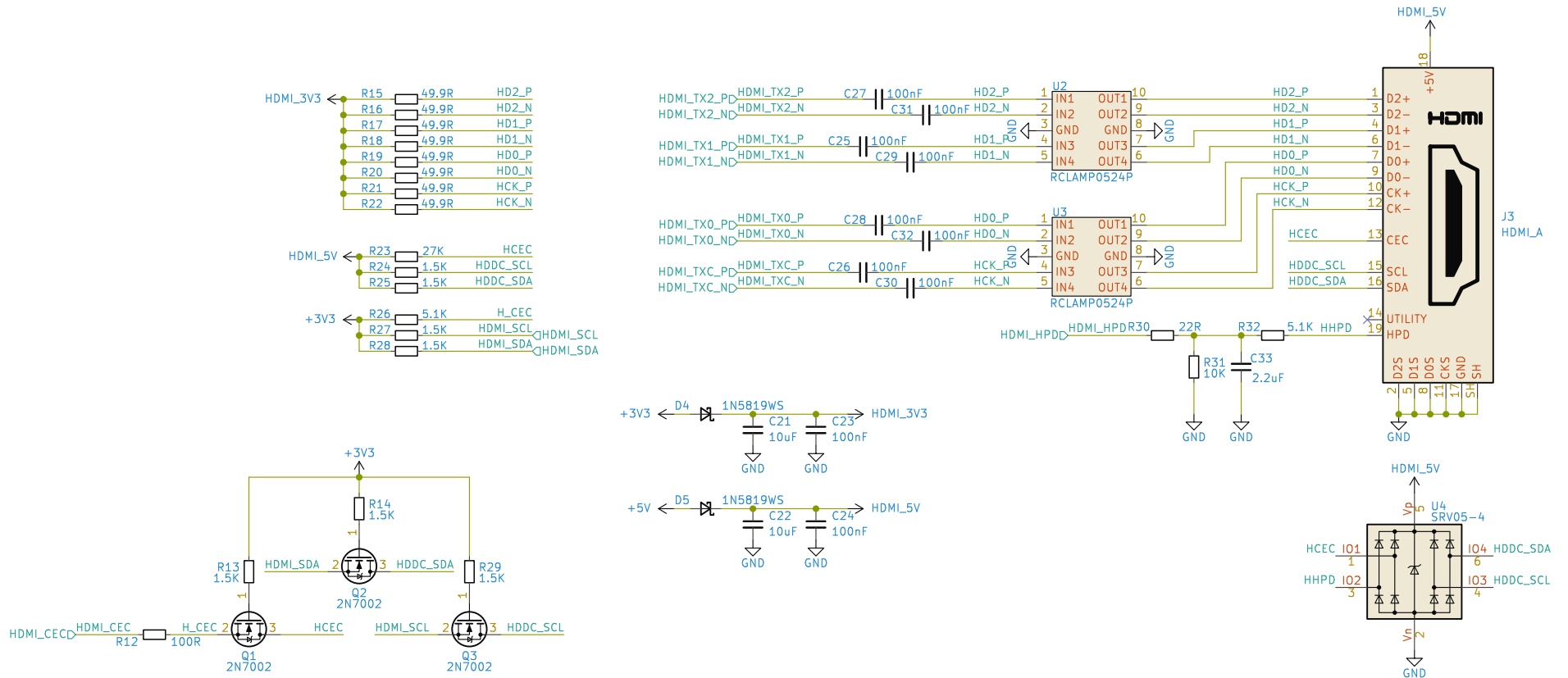
Revision History

Version	Date	Change Note
7101	2022/02/21	First edition



A Compact&Economical FPGA Edge AI Computing Solution
Shenzhen Sipeed Technology Co.,Ltd.
 Sheet: /
 File: Tang_Primer_20K_Dock_3711.kicad_sch
Title: Tang_Primer_20K-Dock_3709
 Size: A3 Date: 2022-10-30 Rev: 1.00b
 KiCad E.D.A. kicad (6.99.0-1732-g4cd48cd5c9) Id: 1/9

HDMI_TX/RX



A Compact&Economical FPGA Edge AI Computing Solution
Shenzhen Sipeed Technology Co.,Ltd.

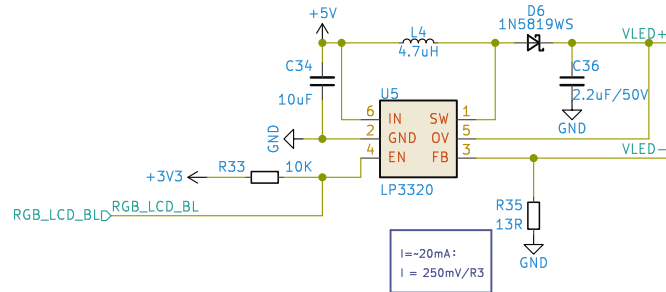
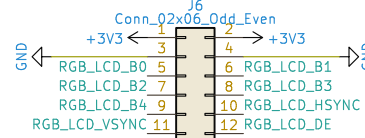
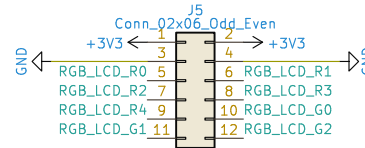
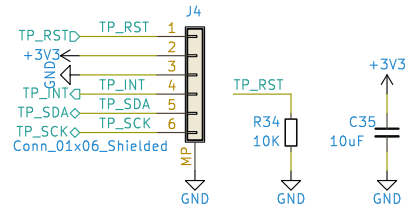
Sheet: /P004_HDMI/
 File: P004_HDMI.kicad_sch

Title: Tang_Primer_20K-Dock_3709

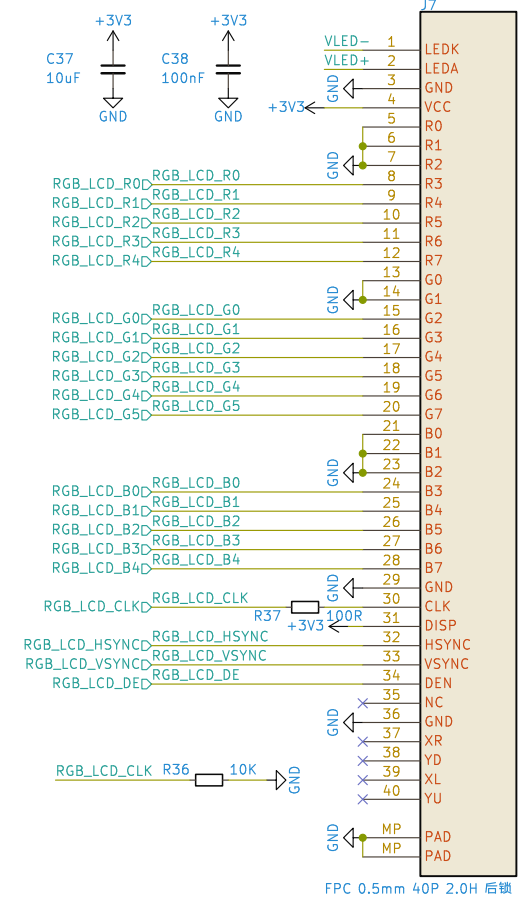
Size: A4 | Date: 2022-09-01
 KiCad E.D.A. kicad (6.99.0-1732-g4cd48cd5c9)

Rev: 1.00a
 Id: 5/9

RGB LCD



40Pin RGB LCD



A Compact&Economical FPGA Edge AI Computing Solution
Shenzhen Sipeed Technology Co.Ltd.

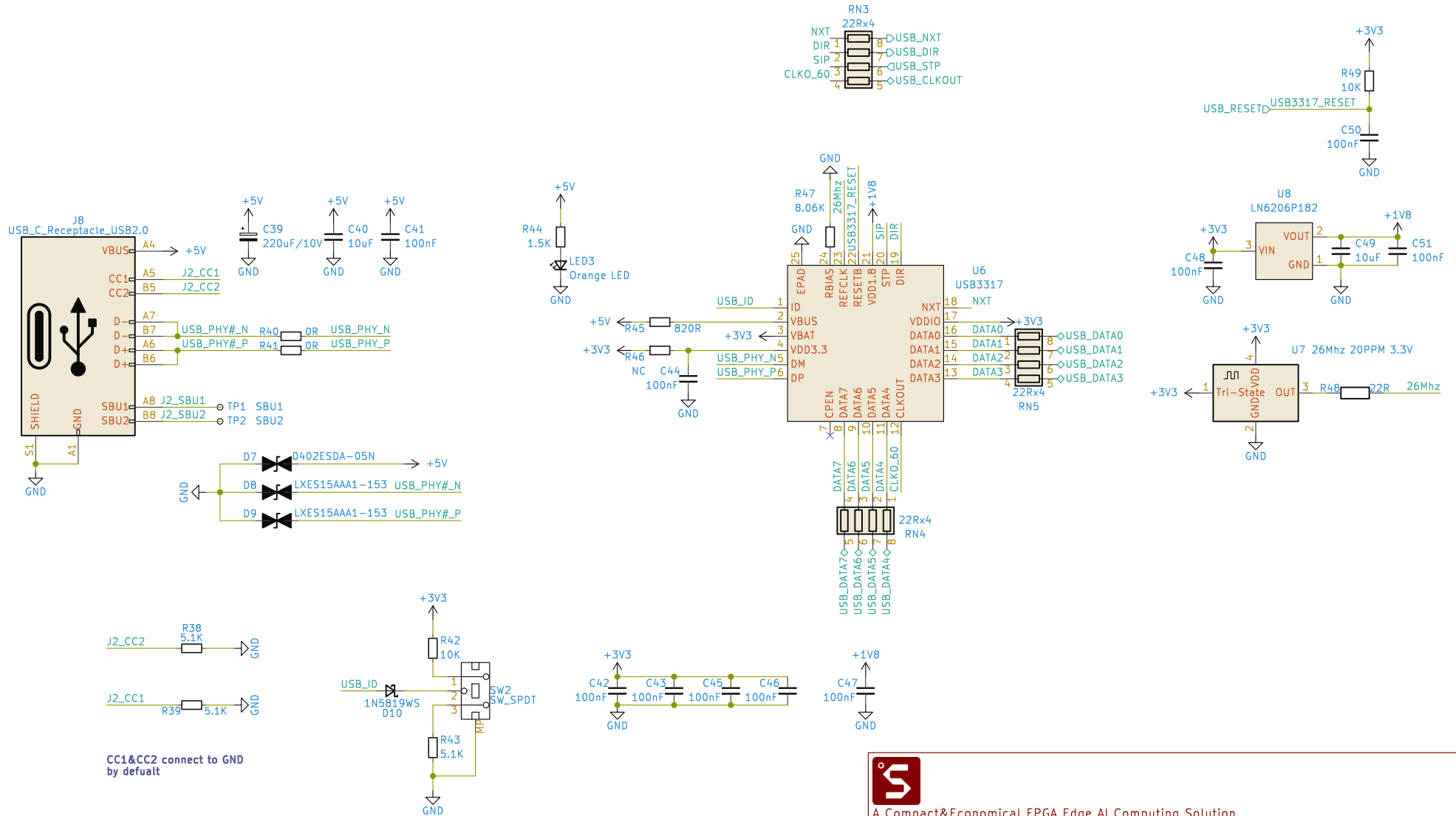
Sheet: /P006_LCD/
 File: P006_LCD.kicad_sch

Title: Tang_Primer_20K-Dock_3709

Size: A4 Date: 2022-09-01
 KiCad E.D.A. kicad (6.99.0-1732-g4cd48cd5c9)

Rev: 1.00a
 Id: 6/9

USB 2.0 PHY-IN BANK7



CC1&CC2 connect to GND by default

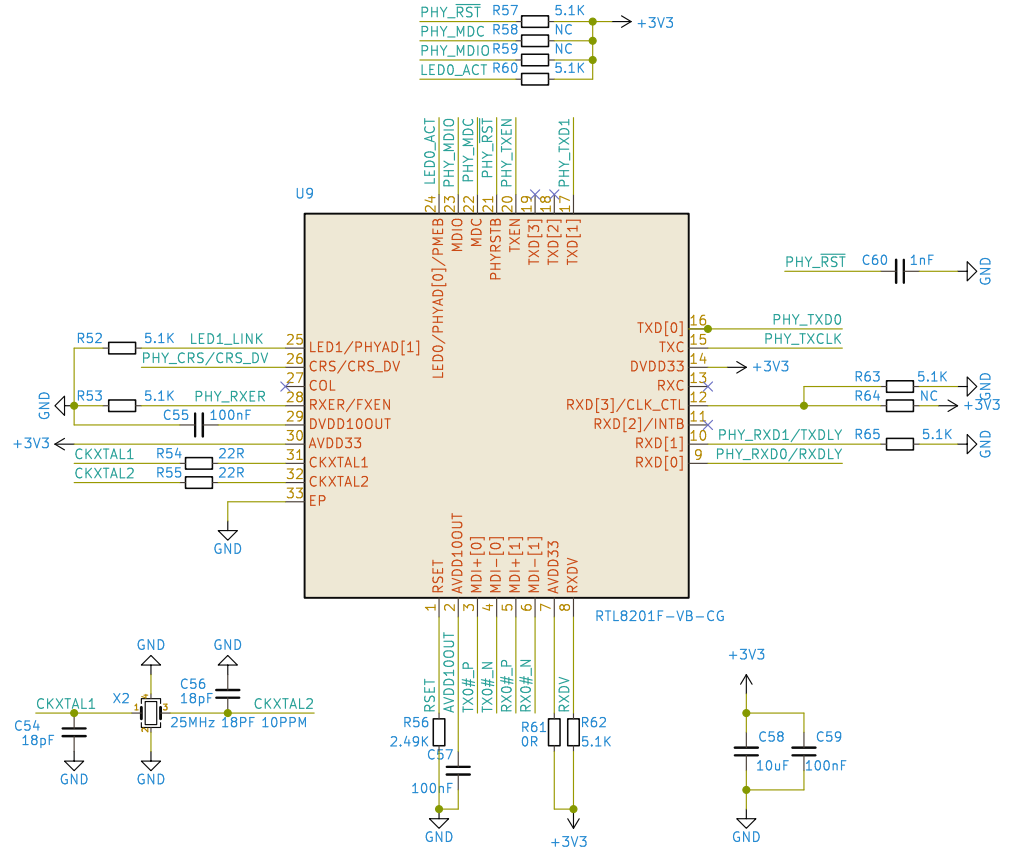
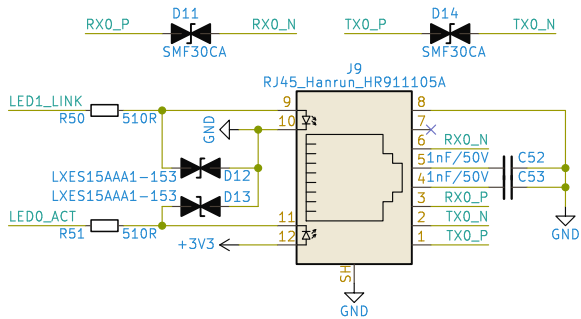
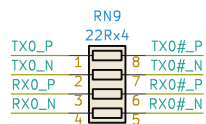
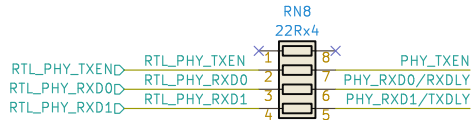
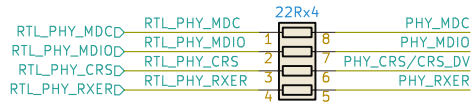
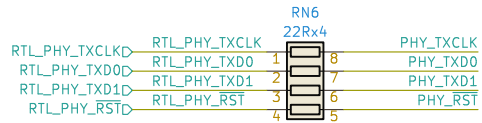


A Compact&Economical FPGA Edge AI Computing Solution
Shenzhen Sipeed Technology Co.Ltd.

Sheet: /P002_USB PHY/
 File: P002_USB PHY.kicad_sch

Title: Tang_Primer_20K-Dock_3709

Size: A4	Date: 2022-09-01	Rev: 1.00a
KiCad E.D.A. kicad (6.99.0-1732-g4cd48cd5c9)		Id: 7/9



A Compact&Economical FPGA Edge AI Computing Solution

Shenzhen Sipeed Technology Co.Ltd.

Sheet: /P005 Ethernet/

File: P005 Ethernet.kicad_sch

Title: Tang_Primer_20K-Dock_3709

Size: A4

Date: 2022-09-01

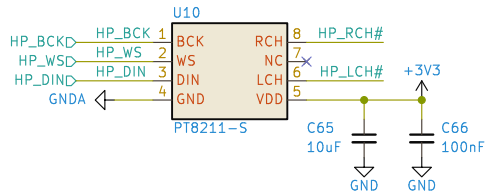
Rev: 1.00a

KiCad E.D.A. kicad (6.99.0-1732-g4cd48cd5c9)

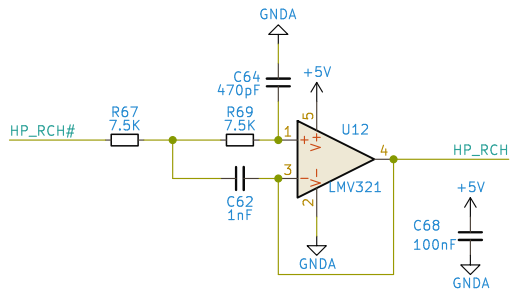
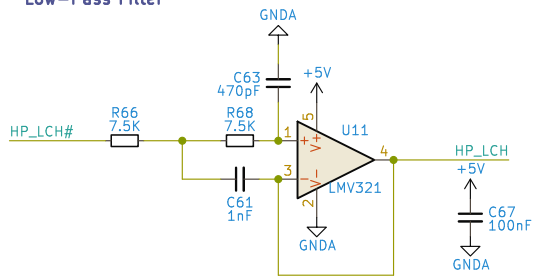
Id: 7/9

Audio

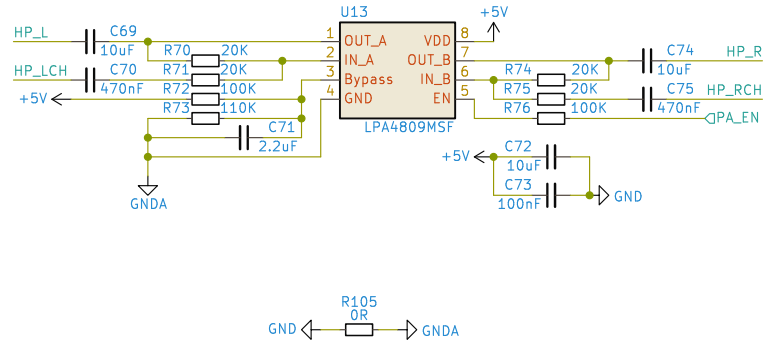
STEREO DAC



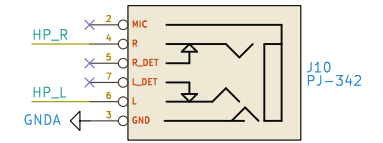
Low-Pass Filter



HEADPHONE AMP.



HEADPHONE AMP.



When the jack is unplugged, L/R_DET is connected to L/R.



A Compact&Economical FPGA Edge AI Computing Solution

Shenzhen Sipeed Technology Co.,Ltd.

Sheet: /003_Audio/

File: P003_Audio.kicad_sch

Title: Tang_Primer_20K-Dock_3709

Size: A4

Date: 2022-09-01

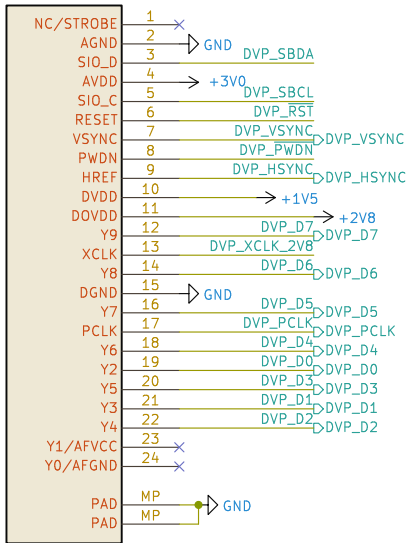
Rev: 1.00a

KiCad E.D.A. kicad (6.99.0-1732-g4cd48cd5c9)

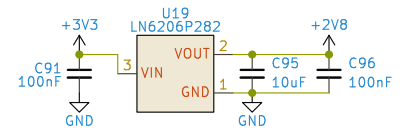
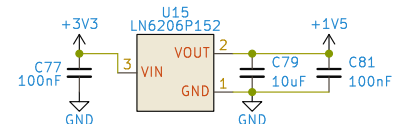
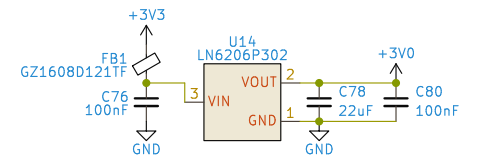
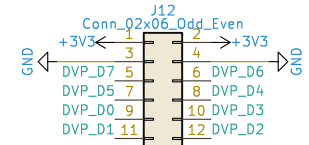
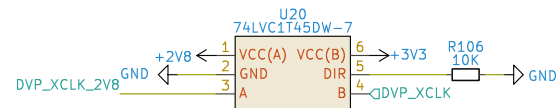
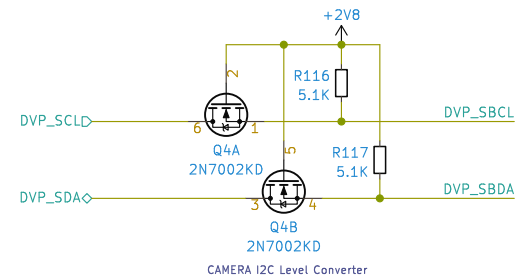
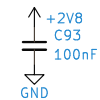
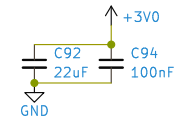
Id: 8/9

DVP Camera

J11
FPC 0.5mm 24P 2.0H backlock



NOTICE:
DOVDD refers to I/O Bank voltage



A Compact&Economical FPGA Edge AI Computing Solution

Shenzhen Sipeed Technology Co.,Ltd.

Sheet: /008_Carmera/

File: P008_Carmera.kicad_sch

Title: Tang_Primer_20K-Dock_3709

Size: A4

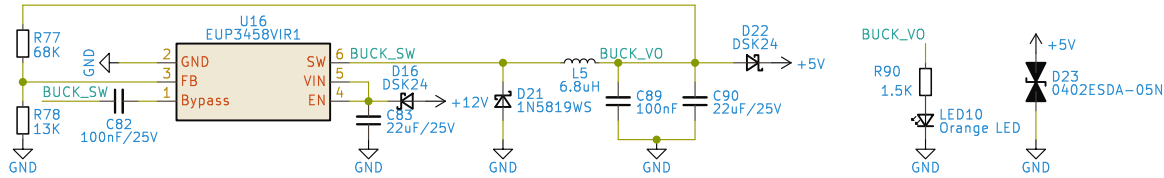
Date: 2022-09-01

Rev: 1.00a

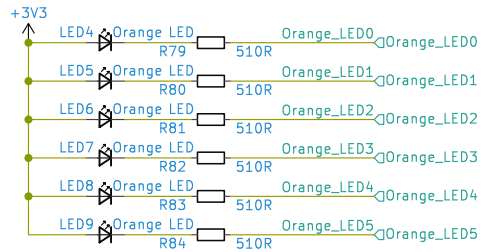
KiCad E.D.A. kicad (6.99.0-1732-g4cd48cd5c9)

Id: 9/9

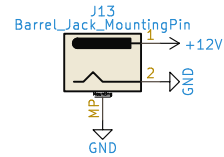
DC-IN BUCK



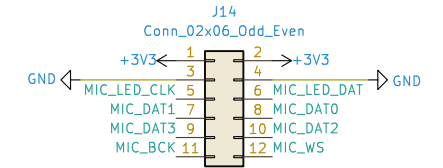
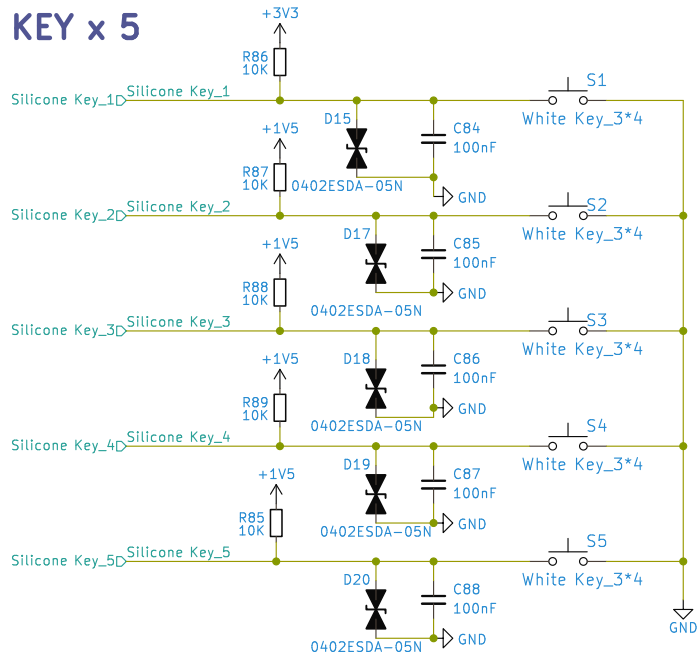
LED x 6



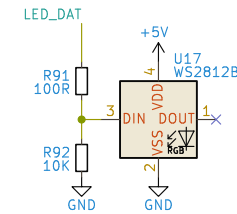
DC-IN JACK



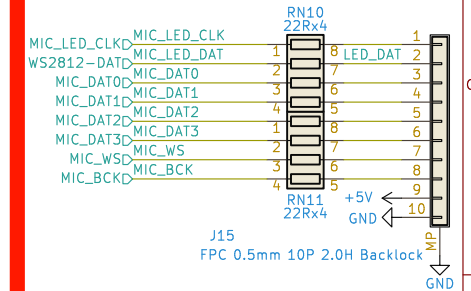
KEY x 5



WS2812B



MIC Array Conn.



A Compact&Economical FPGA Edge AI Computing Solution

Shenzhen Sipeed Technology Co.,Ltd.

Sheet: /007_Things/

File: P007_Things.kicad_sch

Title: Tang_Primer_20K-Dock_3709

Size: A4

Date: 2022-09-01

Rev: 1.00a

KiCad E.D.A. kicad (6.99.0-1732-g4cd48cd5c9)

Id: 9/9