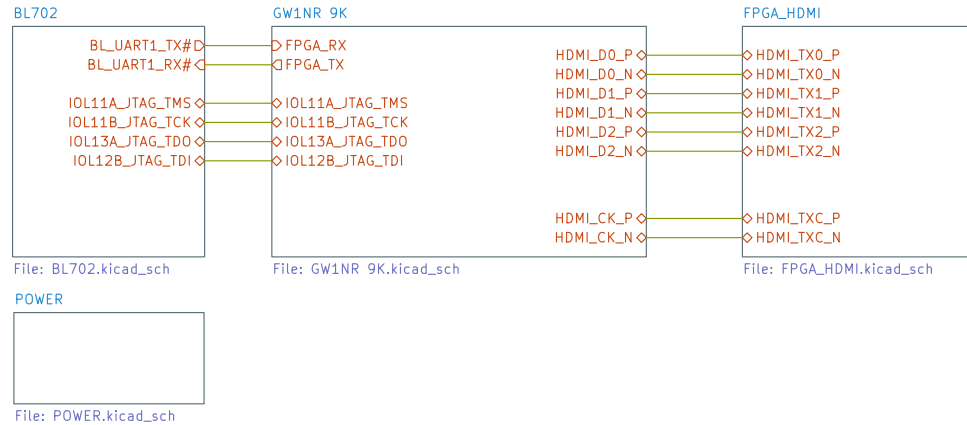


# Tang Nano 9K

## Revision History

Version	Date	Change Note
6200	2021/9/XX	First edition
6201	2022/6/11	Fixed the name of this pin: PIN87_IOT6B_MODE1_1V8
6202	2022/10/23	Fixed the silkscreen of S1 and S2



Sheet: /  
File: Tang\_Nano\_9K\_3672.kicad\_sch

**Title: Tang GW1N 9K**

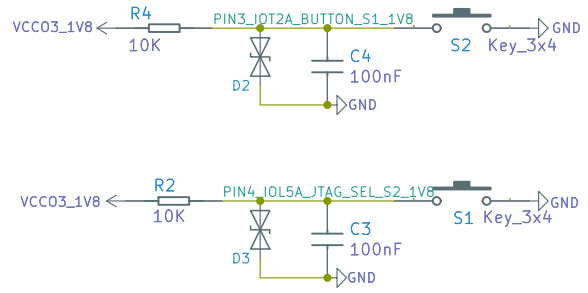
Size: A4 Date: 2021-09-22

KiCad E.D.A. kicad (6.0.8)

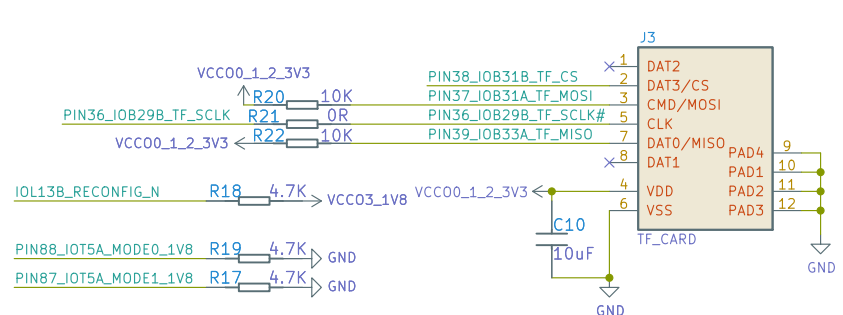
Rev: **NO.01**

Id: 1/5

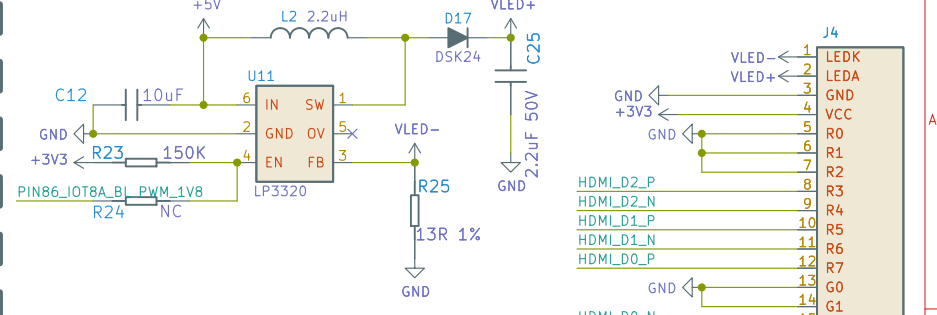
### Button x 2



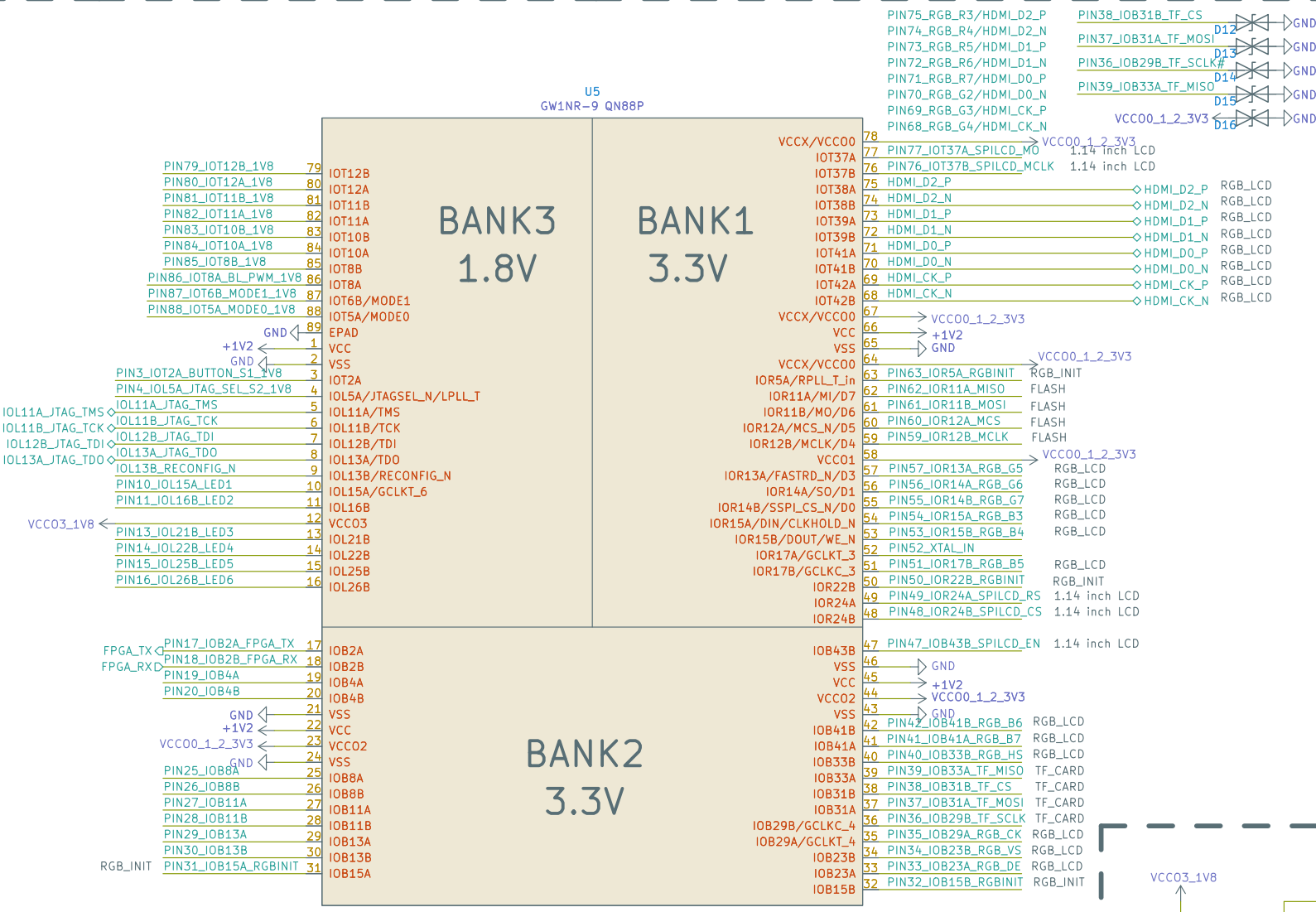
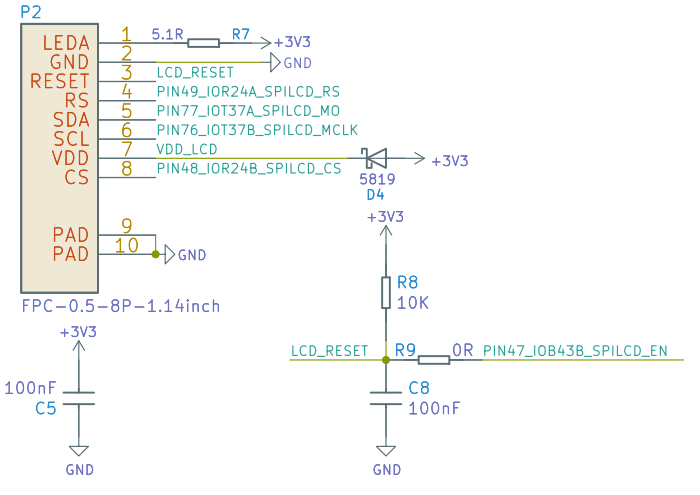
### TF CARD



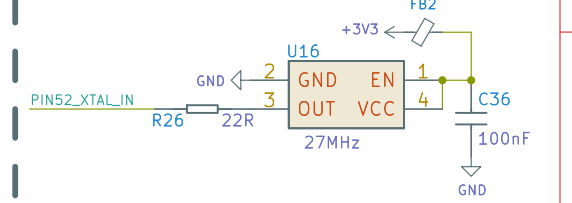
### RGB LCD



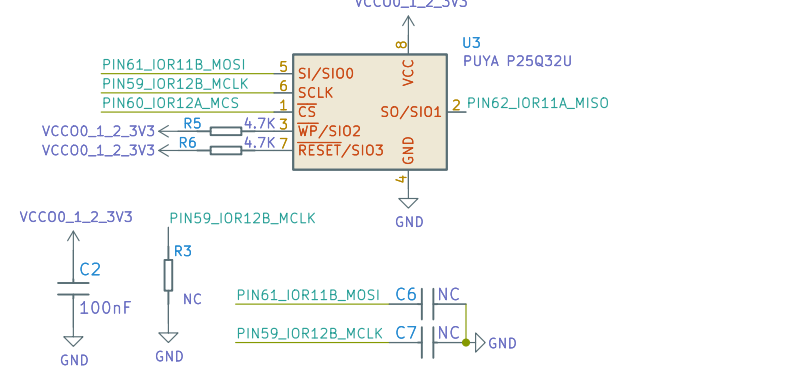
### 1.14inch LCD



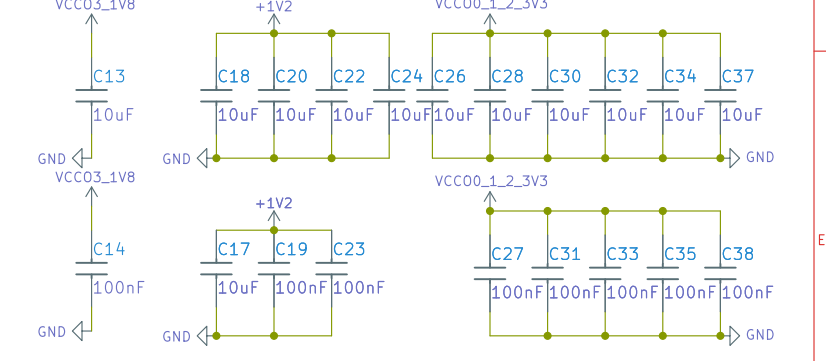
### XTAL



### SPI FLASH



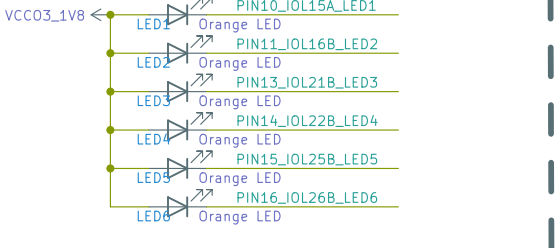
### CAP-FPGA

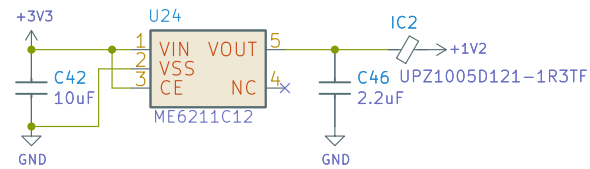
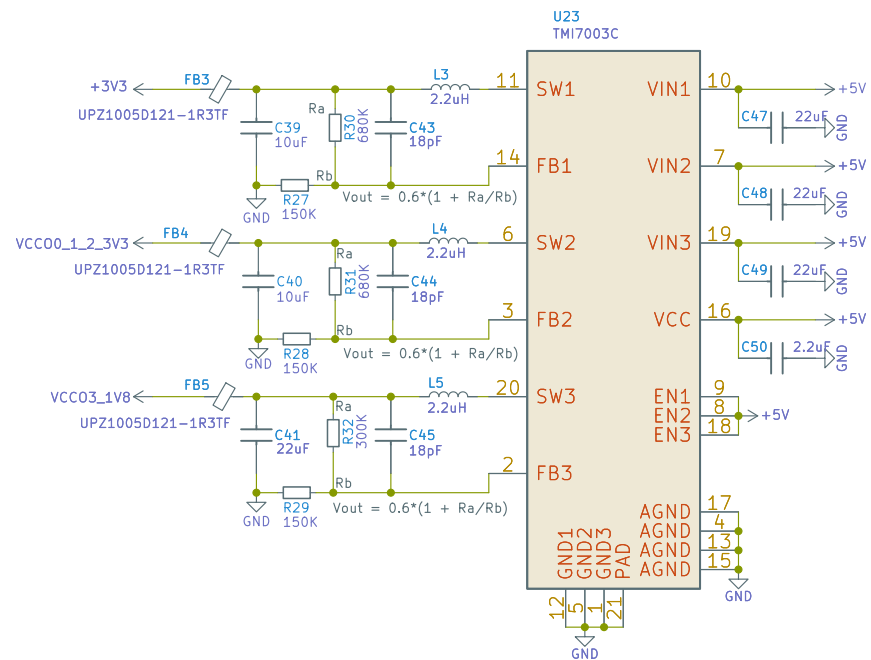


### Connector



### LED x 7





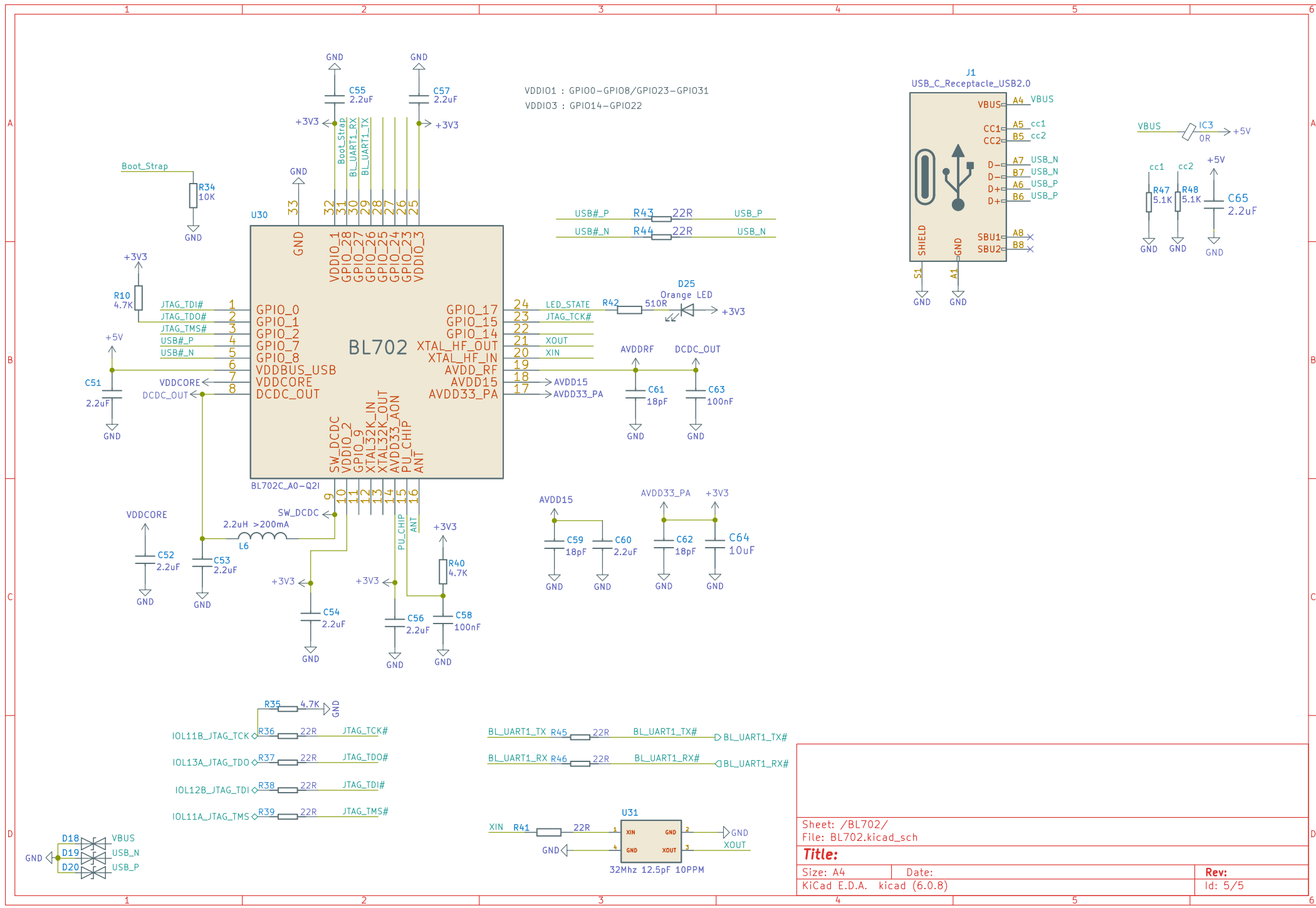
Sheet: /POWER/  
 File: POWER.kicad\_sch

**Title:**

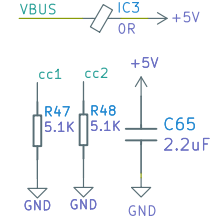
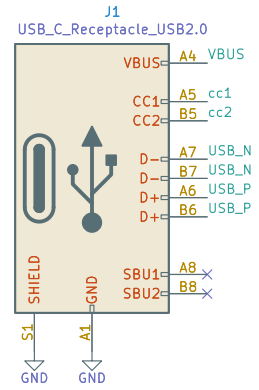
Size: A4  
 KiCad E.D.A. kicad (6.0.8)

Date:

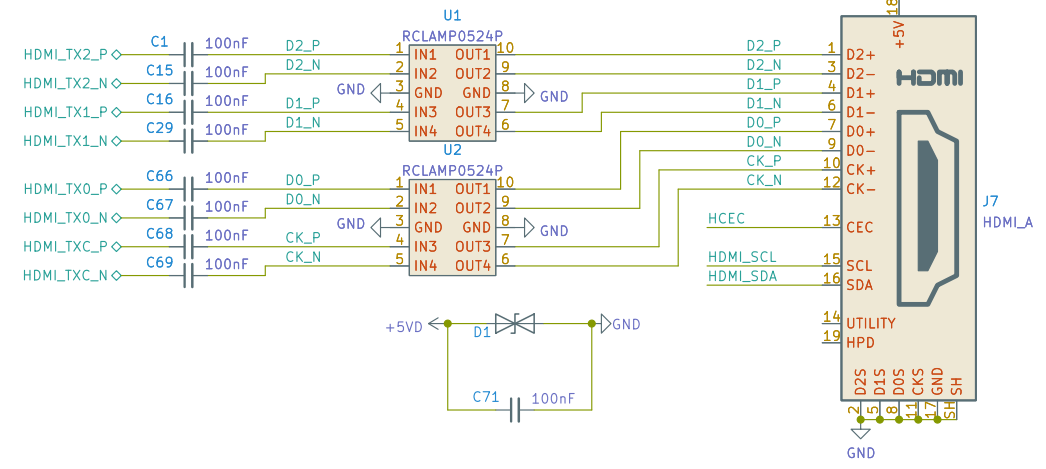
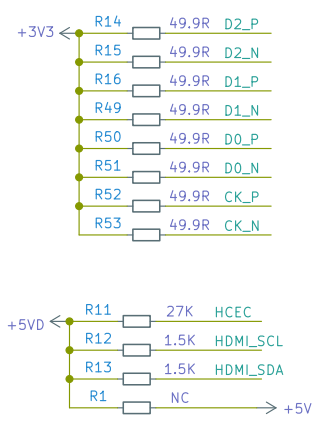
Rev:  
 Id: 4/5



VDDIO1 : GPIO0-GPIO8/GPIO23-GPIO31  
 VDDIO3 : GPIO14-GPIO22



Sheet: /BL702/		Date:	
File: BL702.kicad_sch		Rev:	
Size: A4	KiCad E.D.A. kicad (6.0.8)	Id: 5/5	



Sheet: /FPGA_HDMI/		
File: FPGA_HDMI.kicad_sch		
<b>Title:</b>		
Size: A4	Date:	Rev:
KiCad E.D.A. kicad (6.0.8)		Id: 5/5