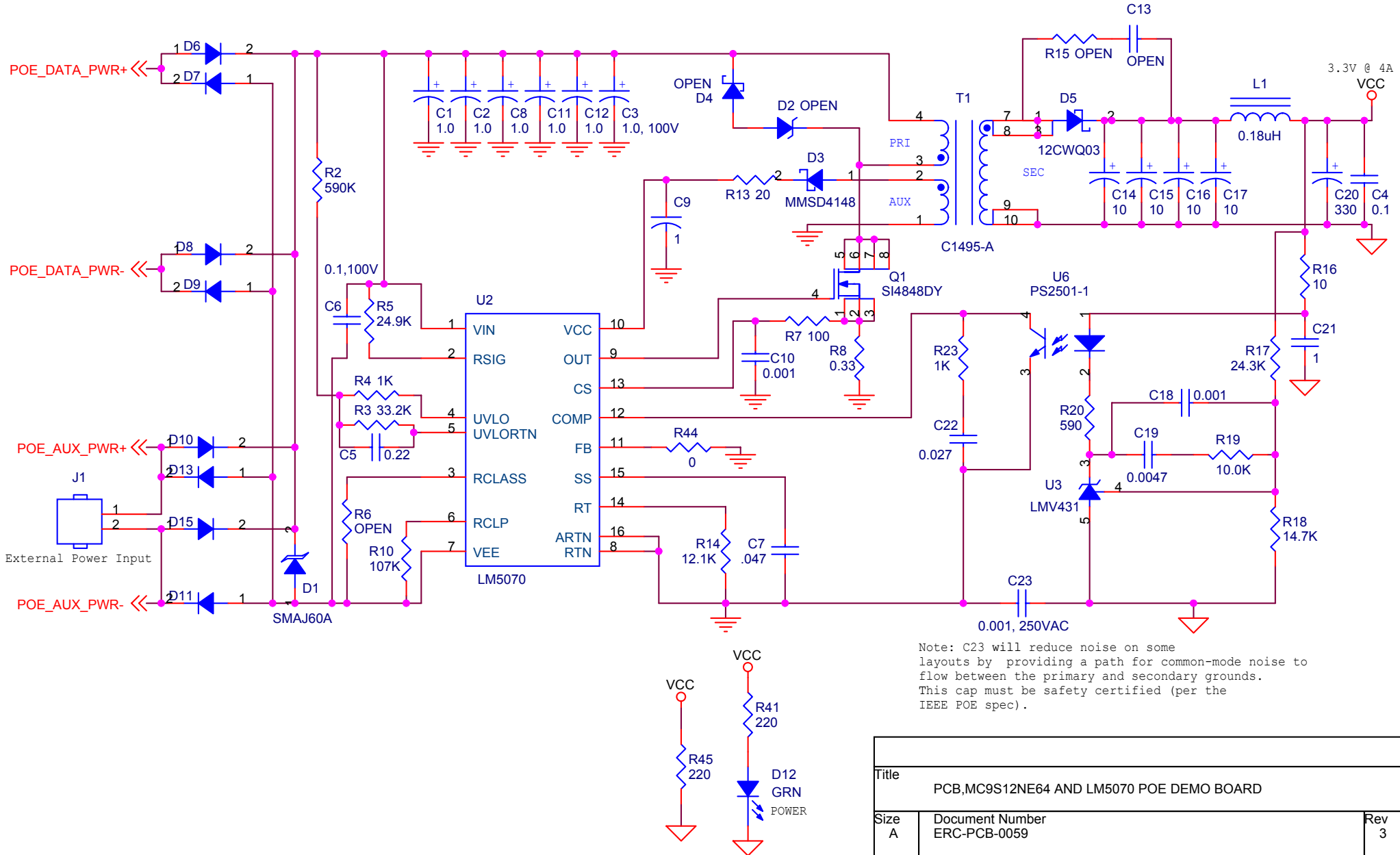
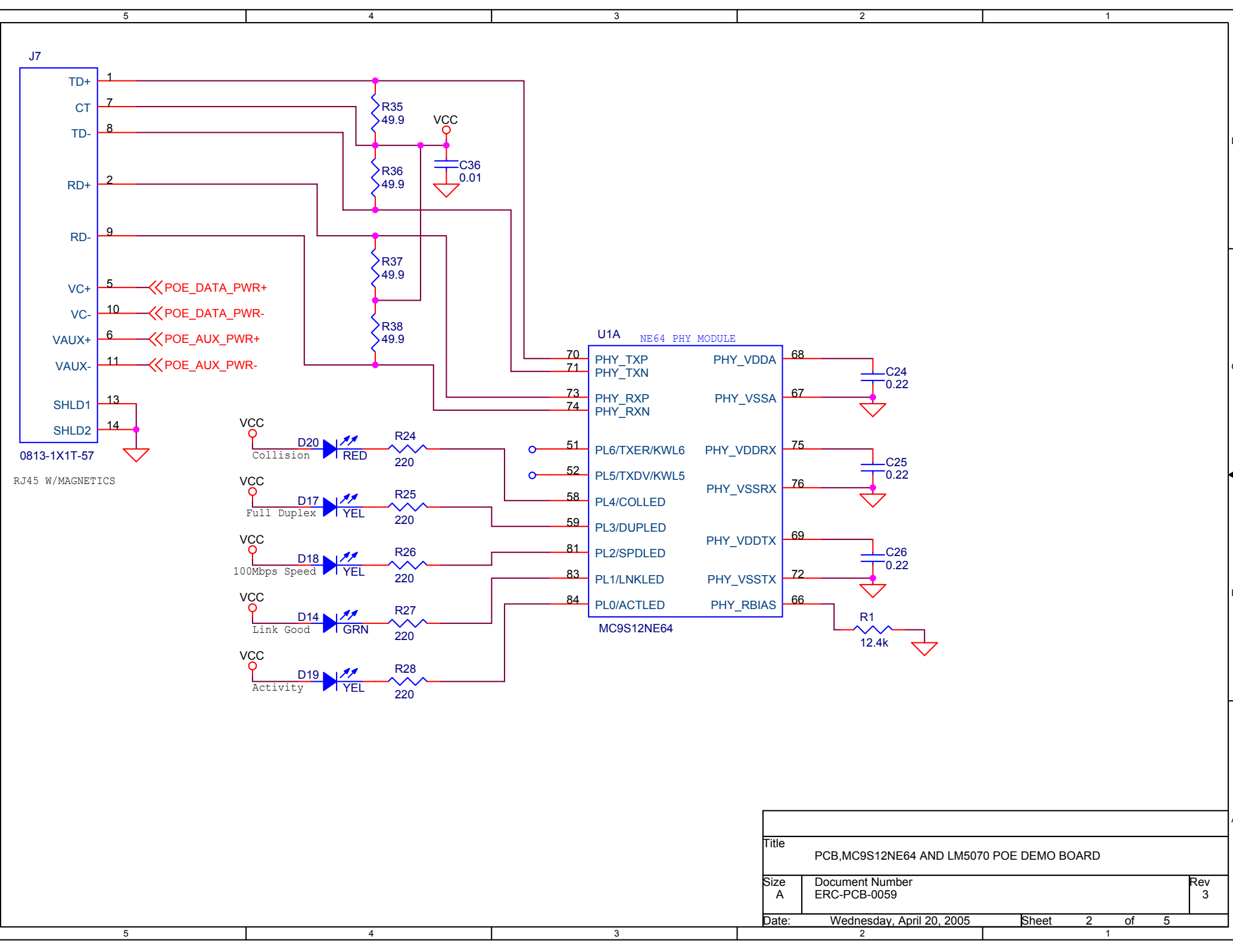


LM5070 Power Over Ethernet
Power Supply

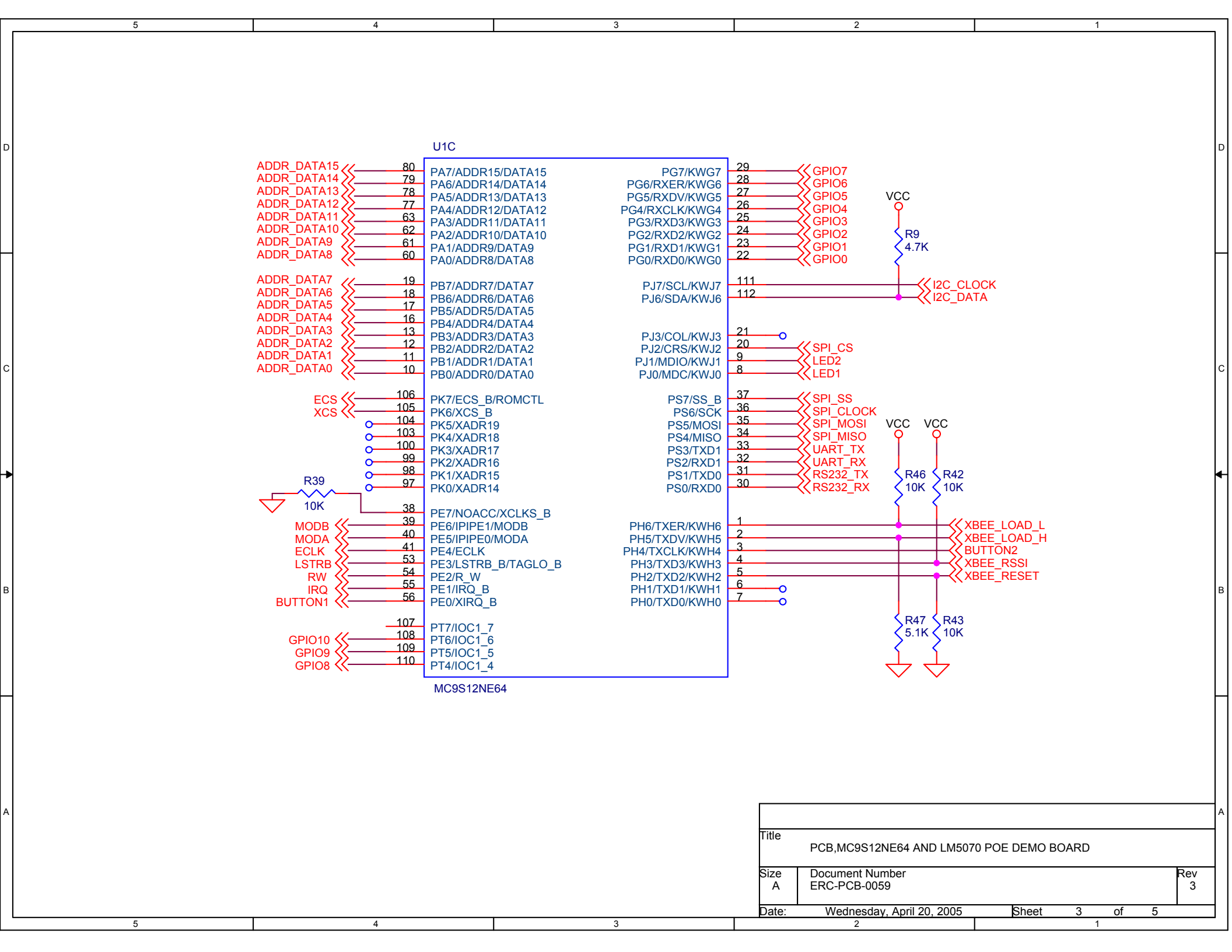


Note: C23 will reduce noise on some layouts by providing a path for common-mode noise to flow between the primary and secondary grounds. This cap must be safety certified (per the IEEE POE spec).

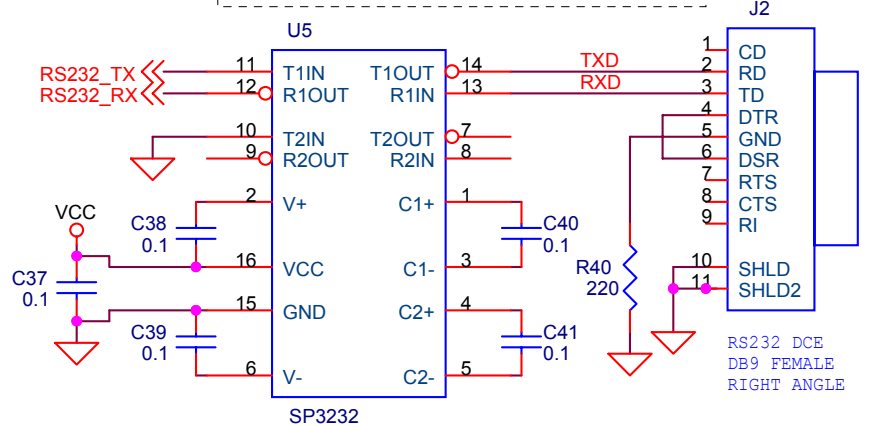
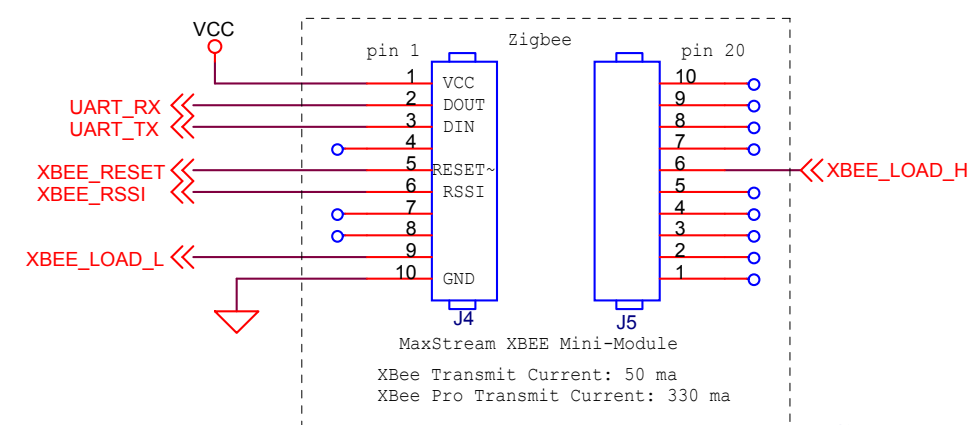
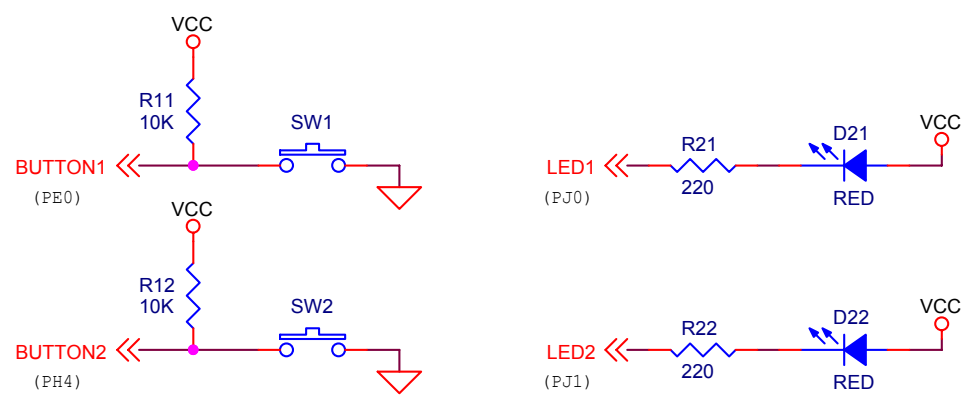
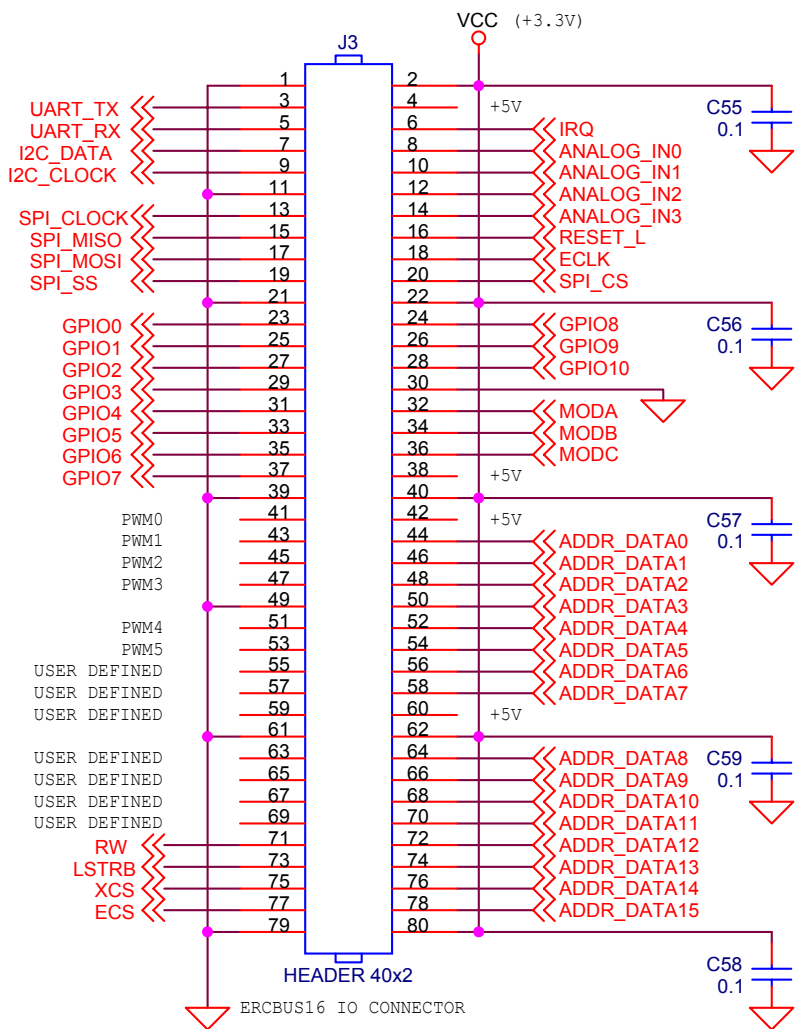
Title		
PCB,MC9S12NE64 AND LM5070 POE DEMO BOARD		
Size	Document Number	Rev
A	ERC-PCB-0059	3
Date:	Wednesday, April 20, 2005	Sheet 1 of 5



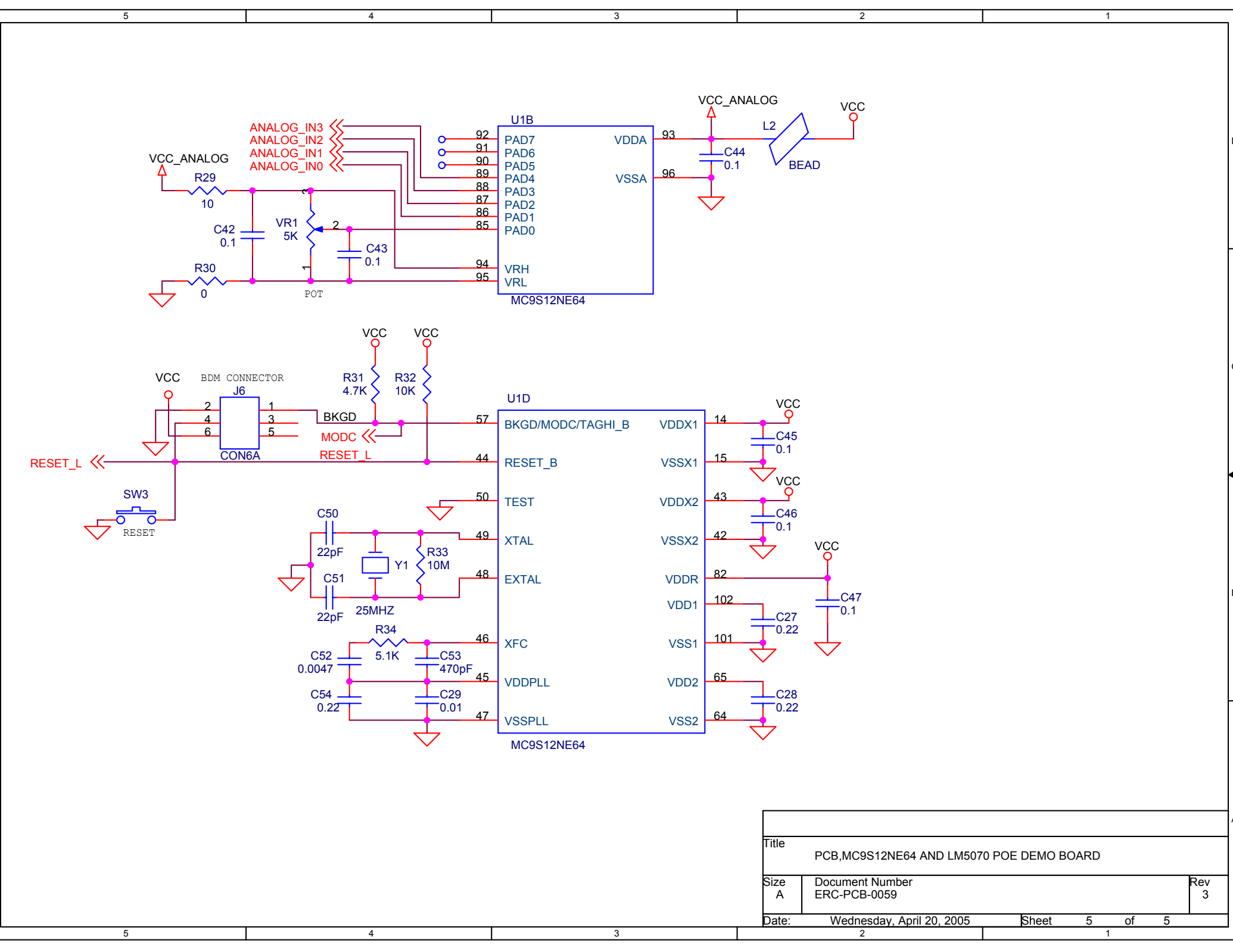
Title		
PCB,MC9S12NE64 AND LM5070 POE DEMO BOARD		
Size	Document Number	Rev
A	ERC-PCB-0059	3
Date:	Wednesday, April 20, 2005	Sheet 2 of 5



Title		
PCB,MC9S12NE64 AND LM5070 POE DEMO BOARD		
Size	Document Number	Rev
A	ERC-PCB-0059	3
Date:	Wednesday, April 20, 2005	Sheet 3 of 5



Title		
PCB,MC9S12NE64 AND LM5070 POE DEMO BOARD		
Size	Document Number	Rev
A	ERC-PCB-0059	3
Date:	Wednesday, April 20, 2005	Sheet 4 of 5



Title		
PCB,MC9S12NE64 AND LM5070 POE DEMO BOARD		
Size	Document Number	Rev
A	ERC-PCB-0059	3
Date:	Wednesday, April 20, 2005	Sheet 5 of 5